

UPRIGHT FREEZER Owner's Manual.....	1 - 8
CONGÉLATEUR VERTICAL Manuel du propriétaire.....	9 - 16
CONGELADOR VERTICAL Manual del propietario.....	17 - 24

MODEL * MODÈLE * MODELO
DUF167A4WDD
DUF167A4BSLDD

Welcome

Welcome to the Danby family. We are proud of our quality products and we believe in dependable service. We suggest that you read this owner's manual before plugging in your new appliance as it contains important operation information, safety information, troubleshooting and maintenance tips to ensure the reliability and longevity of your appliance.

Visit www.Danby.com to access self service tools, FAQs and much more. For additional assistance call **1-800-263-2629**.

Note the information below; you will need this information to obtain service under warranty.

You must provide the original purchase receipt to validate your warranty and receive service.

Model Number: _____

Serial Number: _____

Date of Purchase: _____

Need Help?

Before you call for service, here are a few things you can do to help us serve you better.

Read this owner's manual:

It contains instructions to help you use and maintain your appliance properly.

If you receive a damaged appliance:

Immediately contact the retailer or builder that sold you the appliance.

Save time and money:

Check the troubleshooting section at the end of this manual before calling. This section will help you solve common problems that may occur.



1-800-26- Danby
(1-800-263-2629)



Important Safety Information

READ AND FOLLOW ALL SAFETY INSTRUCTIONS

SAFETY REQUIREMENTS

DANGER: Risk of fire or explosion. Flammable refrigerant used. Do not puncture refrigerant tubing.

- Do not use mechanical devices to defrost refrigerator.
- Ensure that servicing is done by factory authorized service personnel, to minimize product damage or safety issues.
- If the power supply cord is damaged, it must be replaced by the manufacturer, its service agent or similar qualified person in order to avoid hazard.
- Consult repair manual or owner's guide before attempting to service this product. All safety precautions must be followed.
- Dispose of properly in accordance with federal or local regulations.
- Follow handling instructions carefully.
- Do not store explosive substances such as aerosol cans with a flammable propellant in this appliance.

WARNING: Keep ventilation openings, in the appliance enclosure or in the built-in structure, clear of obstruction.

WARNING: Do not use mechanical devices or other means to accelerate the defrosting process, other than those recommended by the manufacturer.

WARNING: Do not damage the refrigerant circuit.

WARNING: Do not use electrical appliances inside the food storage compartments of the appliance, unless they are of the type recommended by the manufacturer.

CAUTION: Children should be supervised to ensure that they do not play with the appliance.

DANGER: Risk of child entrapment. Before throwing away an old appliance:

- Remove the door or lid.
- Leave shelves in place so that children may not easily climb inside.

DANGER: Do not add a lock to the door or lid. This can cause child entrapment and harm.

SAFETY REQUIREMENTS

This appliance is not intended for use by persons (including children) whose physical, sensory or mental capabilities may be different or reduced, or who lack experience or knowledge, unless such persons receive supervision or training to operate the appliance by a person responsible for their safety.

This appliance is intended to be used in household and similar applications such as:

- Staff kitchen areas in shops, offices and other working environments;
- Farm houses and by clients in hotels, motels and other residential type environments;
- Bed and breakfast type environments;
- Catering and similar non-retail applications.

GROUNDING INSTRUCTIONS

This appliance must be grounded. Grounding reduces the risk of electrical shock by providing an escape wire for the electrical current.

This appliance has a cord that has a grounding wire with a 3-prong plug. The power cord must be plugged into an outlet that is properly grounded. If the outlet is a 2-prong wall outlet, it must be replaced with a properly grounded 3-prong wall outlet. The serial rating plate indicates the voltage and frequency the appliance is designed for.

WARNING - Improper use of the grounding plug can result in a risk of electric shock. Consult a qualified electrician or service agent if the grounding instructions are not completely understood, or if doubt exists as to whether the appliance is properly grounded.

Do not connect your appliance to extension cords or together with another appliance in the same wall outlet. Do not splice the power cord. Do not under any circumstances cut or remove the third ground prong from the power cord. Do not use extension cords or ungrounded (two prongs) adapters.

SAVE THESE INSTRUCTIONS!

INSTALLATION INSTRUCTIONS

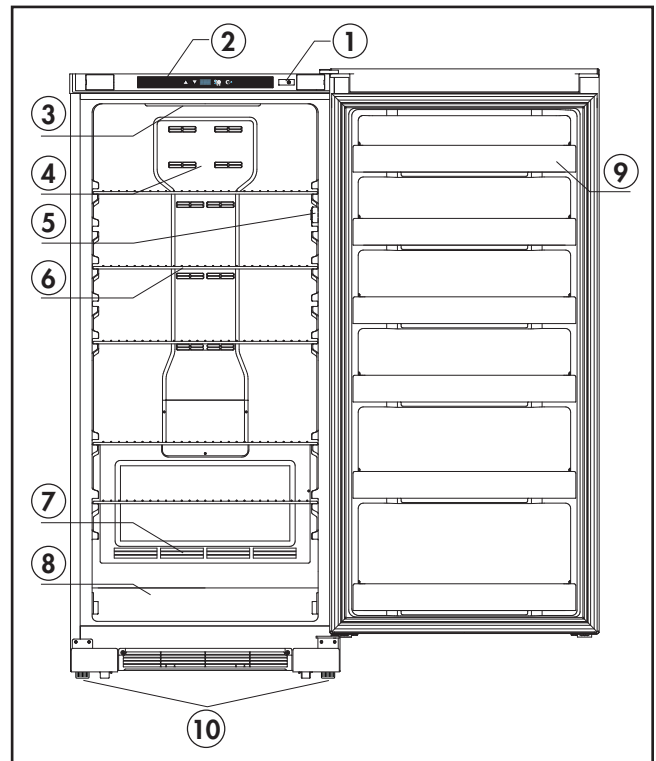
LOCATION

- Two people should be used when moving the appliance.
- Remove interior and exterior packaging prior to installation. Wipe the outside of the appliance with a soft, dry cloth and the inside with a lukewarm wet cloth.
- Place the appliance on a floor that is strong enough to support it when it is fully loaded.
- Do not place the appliance in direct sunlight or near sources of heat, such as a stove or heater, as this can increase electrical consumption. Extreme cold ambient temperatures may also cause the appliance to perform improperly.
- Do not use the appliance near water, for example in a wet basement or near a sink.
- This appliance is intended for household use only. It is not designed for outside installation, including anywhere that is not temperature controlled (garages, porches, vehicles, etc.).
- Before connecting the appliance to a power source, let it stand upright for approximately 6 hours. This will reduce the possibility of a malfunction in the cooling system from handling during transportation.
- This appliance is 76.1 cm (29.9 inches) wide by 170.9 cm (67.3 inches) high by 72.4 cm (28.5 inches) deep. Make sure that you leave the minimum amount of space between the appliance and all surrounding walls and vents. Do not cover any of the ventilation openings with any material as the appliance needs adequate space to breathe.
- Allow 12.7 cm (5 inches) of space between the back, sides and top of the appliance and all adjacent walls.
- This appliance is intended for free-standing installation only and is not intended to be built into a cabinet or counter. Building in this appliance can cause it to malfunction.

OPERATING INSTRUCTIONS

FEATURES

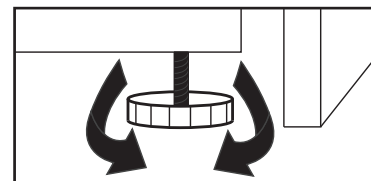
1. Light Switch
2. Control Panel
3. LED Light
4. Airflow Outlet
5. Temperature Sensor
6. Freezer Shelf
7. Airflow Inlet
8. Shelf Front
9. Door Shelf
10. Adjustable Feet



LEVELING INSTRUCTIONS

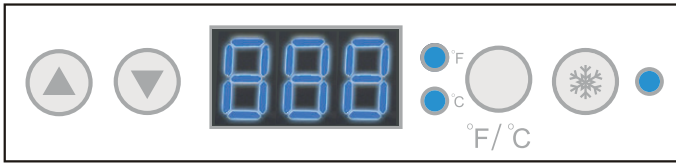
There are two adjustable legs on the bottom of the appliance that can be turned up or down to ensure that the appliance is level.

1. Turn the leveling leg counter-clockwise as far as it will go, until the top of the foot is touching the bottom of the chassis.
2. Slowly turn the leveling leg clockwise until the appliance is level.



OPERATING INSTRUCTIONS

CONTROL PANEL



TEMPERATURE SETTING

Press the arrow buttons to set or adjust the temperature.

The temperature can be set between -14°C to -24°C (7°F to -11°F).

The recommended temperature setting is -18°C (0°F).

FAST FREEZE FUNCTION

This function should be used when the appliance is first turned on, when it has been filled with groceries or if the door has been open for an extended period. This function will run the compressor constantly to reach the coldest temperature as quickly as possible.

Press and hold the fast freeze button for three seconds to activate the fast freeze. The LED indicator will illuminate.

To cancel the fast freeze function press and hold the fast freeze button until the LED indicator turns off.

When the fast freeze cycle has finished or is canceled the appliance will revert back to the last set temperature.

TEMPERATURE SCALE

To switch between $^{\circ}\text{C}$ and $^{\circ}\text{F}$, press the $^{\circ}\text{C}/^{\circ}\text{F}$ button, the corresponding indicator light will illuminate.

OPEN DOOR ALARM

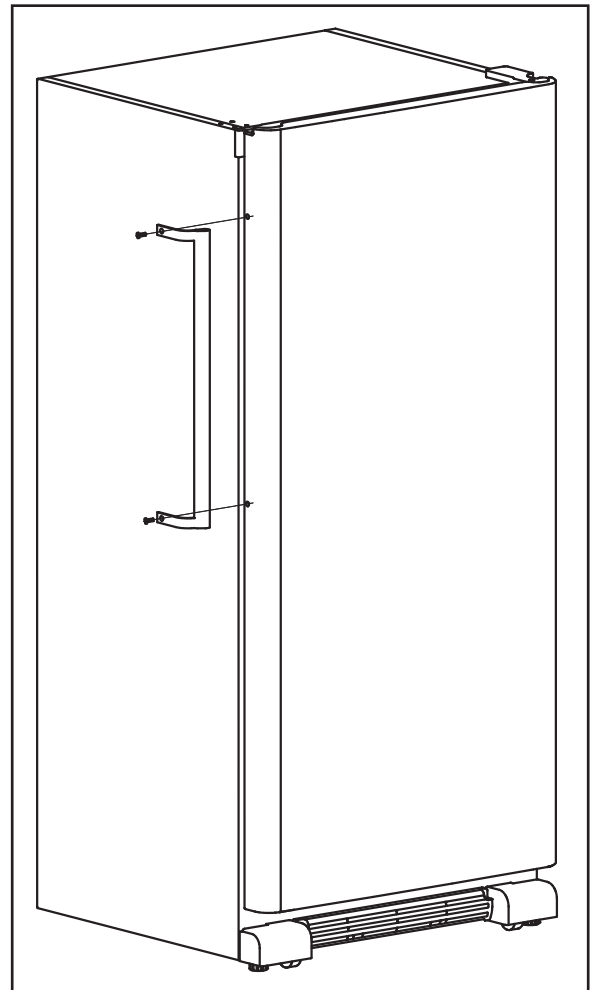
This appliance is equipped with a door alarm that will sound if the door is left open for more than 3 minutes. The alarm will beep and the display will flash continuously until the door is closed.

HANDLE INSTALLATION

The appliance ships with the handle inside the cabinet to protect it from damage. It must be installed by the end user. The appliance should be unplugged before installing the handle.

1. Position the handle over the exposed door handle posts.
2. Remove the two screws from the side of door with a screwdriver, insert screws into the handle bracket, fix it to the side of door and tighten it until snug.

Note: The handle may look slightly different based on the colour of the appliance.



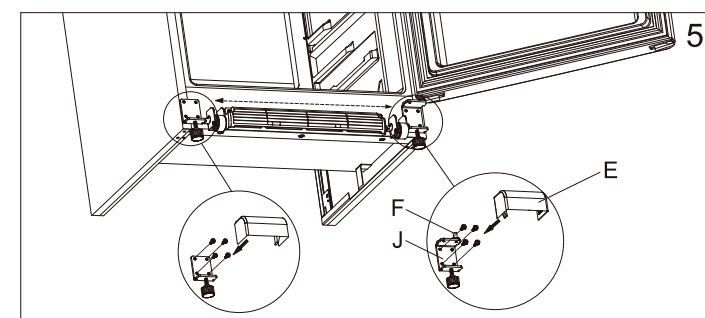
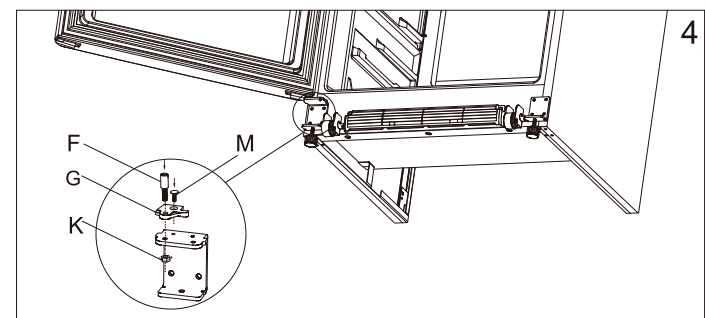
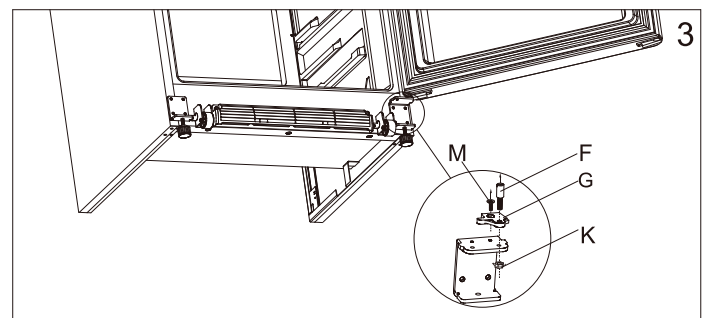
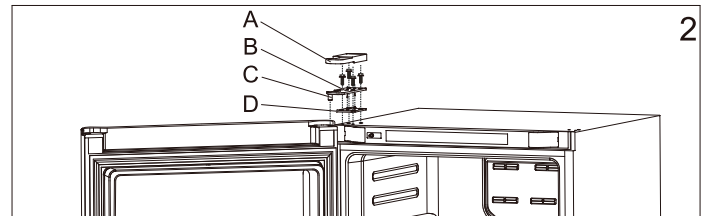
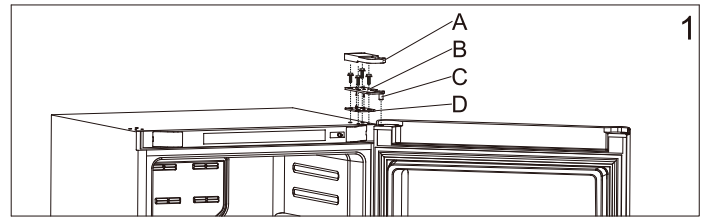
OPERATING INSTRUCTIONS

DOOR REVERSAL INSTRUCTIONS

If the appliance is placed on its back or side for any length of time during this process, it must be allowed to remain upright for 6 hours before plugging it in to avoid damage to the internal components.

1. Remove one screw from top hinge cover (A) and then remove top hinge cover.
2. Remove four screws from top hinge (B) and then remove top hinge, top door spindle (C) and top hinge spacer (D).
3. Remove door from unit and set aside. Ensure that you do not damage the bottom door spindles (F).
4. Remove roller caps at bottom of unit (E).
5. Remove four screws each from both bottom hinges and then swap the bottom hinges (J). Ensure that the C-shaped hinge is on the side of the unit opposite the handle.
6. Reinstall four screws each in both bottom hinges (F).
7. Reinstall the bottom door spindles (F and G).
8. Reinstall the roller caps at the bottom of the unit (E).
9. Reinstall the door and ensure that the bottom door spindle (F) is placed in the hole in bottom hinge that is closest to the outside of the unit.
10. Replace hinge spacer (D), replace top door spindle (C), reinstall top hinge with four screws (B). Ensure that you flip the top hinge to its opposite side so that the top door spindle is in the correct position.
11. Reinstall the top hinge cover (A) with one screw. A top hinge cover for the opposite side of the unit can be found in the accessory bag inside the unit.

Note: When installing the door, ensure that the top of the door is level with the top of the cabinet. If the door is not level, the rubber gasket will not make a good seal with the cabinet which can cause the appliance to malfunction.



CARE & MAINTENANCE

CLEANING

Ensure the appliance is unplugged before cleaning.

- To clean the inside of the appliance, use a soft cloth and a solution of a tablespoon of baking soda to one quart of water or a mild soap solution or some mild detergent.
- Wash removable shelves in a mild detergent solution, then dry and wipe with a soft cloth.
- Clean the outside with a soft, damp cloth and some mild detergent.
- It is important to keep the area clean where the door seals against the cabinet. Clean this area with a soapy cloth. Rinse with a damp cloth and let dry.

Note: Do not use cleaners containing ammonia or alcohol on the appliance. Ammonia or alcohol can damage the appearance of the appliance. Never use any commercial or abrasive cleaners or sharp objects on any part of the appliance.

POWER FAILURE

Most power failures are corrected within a few hours and should not affect the temperature of your appliance if you minimize the number of times the door is opened. If the power is going to be off for a longer period of time, take the proper steps to protect your contents.

Note: Wait 3 to 5 minutes before attempting to restart the refrigerator if operation has been interrupted.

DEFROST

This unit is equipped with an automatic defrost function and does not require manual defrosting. Defrost water from the appliance is channeled into a drip tray located above the compressor. Heat transfer from the compressor causes the defrost water to evaporate.

ERROR CODES

- E1: Sensor failure.
- E2: Defrosting sensor failure.
- E3: Sensor failure and defrosting sensor failure.
- H: High temperature.

VACATION

- **Short vacations:** Leave the appliance operating during vacations of less than three weeks.
- **Long vacations:** If the appliance will not be used for several months, remove all items and turn off the appliance. Clean and dry the interior thoroughly. To prevent odor and mold growth, leave the door open slightly, blocking it open if necessary.

ENERGY SAVING TIP

The appliance should be located in the coolest area of the room, away from heat producing appliances, and out of direct sunlight. Do not overload the unit or block any ventilation openings.

MOVING

- Remove all items.
- Tape the door shut.
- Be sure the appliance stays secure in the upright position during transportation. Also protect the outside of the appliance with a blanket or similar item.
- If the appliance is placed on its back or side during transportation, upon reaching the destination, allow it to remain in its operating position for 6 hours to avoid damage to internal components.

DISPOSAL

This appliance may not be treated as regular household waste, it should be taken to the appropriate waste collection point for recycling of electrical components. For information on local waste collection points, contact your local waste removal agency or government office.

TROUBLESHOOTING

Danby Consumer Care: 1-800-263-2629

Hours of operation:

Monday to Thursday 8:30 am - 6:00 pm Eastern Standard Time

Friday 8:30 am - 4:00 pm Eastern Standard Time

Information in this manual is subject to change without notice.

PROBLEM	POSSIBLE CAUSE
No power	<ul style="list-style-type: none"> • A fuse may be blown or the circuit breaker tripped • Plug not fully inserted into the wall outlet
Internal temperature not cold enough	<ul style="list-style-type: none"> • Temperature setting is too warm • Door is not shut properly or opened excessively • Exhaust vent is obstructed • Recently added a large quantity of warm food to the cabinet • Close proximity to heat source or direct sunlight • Ambient temperature or humidity is very high
Appliance runs continuously	<ul style="list-style-type: none"> • Temperature setting is too cold • Door not shut properly or opened excessively • Exhaust vent is obstructed • Recently added a large quantity of warm food to the cabinet • Close proximity to heat source or direct sunlight • Ambient temperature or humidity is very high
Internal temperature is too cold	<ul style="list-style-type: none"> • Temperature setting is too cold
Noises	<ul style="list-style-type: none"> • Parts are expanding and/or the refrigerant is circulating; this is normal

LIMITED "IN HOME" WARRANTY

This quality product is warranted to be free from manufacturer's defects in material and workmanship, provided that the unit is used under the normal operating conditions intended by the manufacturer.

This warranty is available only to the person to whom the unit was originally sold by Danby Products Limited (Canada) or Danby Products Inc. (U.S.A.) (hereafter "Danby") or by an authorized distributor of Danby, and is non-transferable.

TERMS OF WARRANTY

Plastic parts are warranted for thirty (30) days from the date of purchase, with no extensions provided.

First 5 years During the first **five (5) years**, any functional parts of this product found to be defective, will be repaired or replaced, at warrantor's option, at no charge to the original purchaser.

To obtain service Contact the dealer where the unit was purchased, or contact the nearest authorized Danby service depot, where service must be performed by a qualified service technician. If service is performed on the unit by anyone other than an authorized service depot, all obligations of Danby under this warranty shall be void.

Boundaries of in-home service Danby reserves the right to limit the boundaries of "In Home Service" to the proximity of an authorized service depot. Any appliance requiring service outside the limited boundaries of "In Home Service", will be the consumer's responsibility to transport at their own expense to the original point of purchase or a service depot for repair. If the appliance is installed in a location that is **100 kilometers (62 miles)** or more from the nearest service center, it must be delivered to the nearest authorized Danby Service Depot by the purchaser.

Transportation charges to and from the service location are not protected by this warranty and are the responsibility of the purchaser.

Nothing within this warranty shall imply that Danby will be responsible or liable for any spoilage or damage to food or other contents of this appliance, whether due to any defect of the appliance, or its use, whether proper or improper.

EXCLUSIONS

Save as herein provided, by Danby, there are no other warranties, conditions, representations or guarantees, express or implied, made or intended by Danby or its authorized distributors and all other warranties, conditions, representations or guarantees, including any warranties, conditions, representations or guarantees under any Sale of Goods Act or like legislation or statute is hereby expressly excluded. Save as herein provided, **Danby shall not be responsible for any damages to persons or property, including the unit itself, howsoever caused or any consequential damages arising from the malfunction of the unit and by the purchase of the unit, the purchaser does hereby agree to indemnify and hold harmless Danby from any claim for damages to persons or property caused by the unit.**

GENERAL PROVISIONS

No warranty or insurance herein contained or set out shall apply when damage or repair is caused by any of the following:

- 1) Power failure.
- 2) Damage in transit or when moving the appliance.
- 3) Improper power supply such as low voltage, defective house wiring or inadequate fuses.
- 4) Accident, alteration, abuse or misuse of the appliance such as inadequate air circulation in the room or abnormal operating conditions (ie. extremely high or low room temperature).
- 5) Use for commercial or industrial purposes (ie. If the appliance is not installed in a domestic residence).
- 6) Fire, water damage, theft, war, riot, hostility, acts of God such as hurricanes, floods etc.
- 7) Service calls resulting in customer education.
- 8) Improper Installation (ie. Building-in of a free standing appliance or using an appliance outdoors that is not approved for outdoor application, including but not limited to: garages, patios, porches or anywhere that is not properly insulated or climate controlled).

Proof of purchase date will be required for warranty claims; retain bills of sale. In the event that warranty service is required, present the proof of purchase to our authorized service depot.

**Warranty Service
In Home**

Danby Products Limited
PO Box 1778, Guelph, Ontario, Canada N1H 6Z9
Telephone: (519) 837-0920 FAX: (519) 837-0449

1-800-263-2629
08/17

Danby Products Inc.
PO Box 669, Findlay, Ohio, U.S.A. 45840
Telephone: (419) 425-8627 FAX: (419) 425-8629

Bienvenue

Bienvenue à la famille Danby. Nous sommes fiers de la qualité de nos produits et nous croyons en le service fiable. Nous vous suggérons de lire ce manuel d'utilisation avant de brancher votre nouvel appareil car il contient des informations importantes sur l'utilisation, la sécurité, le dépannage et la maintenance, afin d'assurer la fiabilité et la longévité de votre appareil.

Visitez www.Danby.com pour accéder aux outils d'autoservice, aux FAQ et bien plus encore. Pour obtenir de l'aide supplémentaire, composez **1-800-263-2629**.

Notez les informations ci-dessous; Vous aurez besoin de cette information pour obtenir un service sous garantie.

Vous devez fournir le reçu d'achat original pour valider votre garantie et recevoir le service.

Numéro de modèle: _____

Numéro de serie: _____

Date d'achat: _____

Besoin d'assistance?

Avant d'appeler pour service, voici quelques choses que vous pouvez faire pour nous aider à mieux vous servir.

Lire ce manuel du propriétaire:

Il contient des instructions pour vous aider à utiliser et à maintenir votre appareil correctement.

Si vous recevez un appareil endommagé:

Contactez immédiatement le revendeur ou l'entrepreneur qui vous a vendu l'appareil.

Gagnez du temps et de l'argent:

Avant d'appeler pour service, consultez la section de dépannage à la fin de ce manuel. Cette section vous aidera à résoudre les problèmes courants pouvant survenir.



1-800-26- Danby
(1-800-263-2629)



Consignes de sécurité importantes

LIRE ET SUIVRE TOUTES LES INSTRUCTIONS DE SÉCURITÉ

EXIGENCES DE SÉCURITÉ

DANGER : Risque d'incendie ou d'explosion.
Liquide frigorigène inflammable utilisé. Ne pas percer les tubes de réfrigérant.

- N'utilisez pas de dispositifs mécaniques pour dégivrer le réfrigérateur.
- Assurez-vous que l'entretien est effectué par le personnel de service autorisé en usine, afin de minimiser les dommages sur les produits ou les questions de sécurité.
- Consultez le manuel de réparation ou le guide du propriétaire avant d'essayer de réparer ce produit. Toutes les précautions de sécurité doivent être respectées.
- Éliminer conformément aux règlements fédéraux ou locaux.
- Suivez attentivement les instructions de manutention.
- Ne pas stocker des substances explosives comme les bombes aérosol avec un propulseur inflammable dans cet appareil.

AVERTISSEMENT : Garder les ouvertures de ventilation, dans l'enceinte de l'appareil ou dans la structure intégrée, sans obstruction.

AVERTISSEMENT : N'utilisez pas de dispositifs mécaniques ou d'autres moyens pour accélérer le processus de dégivrage, autres que ceux recommandés par le fabricant.

AVERTISSEMENT : Ne pas endommager le circuit de réfrigérant.

AVERTISSEMENT : N'utilisez pas d'appareils électriques à l'intérieur des compartiments de stockage d'aliments de l'appareil, à moins qu'ils ne soient du type recommandé par le fabricant.

ATTENTION : Les enfants devraient être surveillés pour s'assurer qu'ils ne jouent pas avec l'appareil.

DANGER : Risque de piégeage des enfants. Avant de jeter un ancien appareil :

- Retirez la porte ou le couvercle.
- Laissez les étagères en place afin que les enfants ne puissent pas facilement monter à l'intérieur.

DANGER: N'ajoutez pas de verrou à la porte ou au couvercle. Cela peut entraîner le piégeage et le préjudice des enfants.

EXIGENCES DE SÉCURITÉ

Cet appareil n'est pas destiné à être utilisé par des personnes (y compris des enfants) dont les capacités physiques, sensorielles ou mentales peuvent être différentes ou réduites, ou qui n'ont pas d'expérience ou de connaissances, à moins que ces personnes ne reçoivent de supervision ou de formation pour faire fonctionner l'appareil par une personne responsable de leur sécurité.

Cet appareil est destiné à être utilisé dans des applications domestiques et similaires telles que:

- Cuisines du personnel dans les magasins, les bureaux et autres environnements de travail;
- Les maisons de ferme et par les clients dans les hôtels, motels et autres environnements de type résidentiel;
- Chambres d'hôtes;
- Restauration et applications similaires non commerciales.

INSTRUCTIONS DE MISE À LA TERRE

Cet appareil doit être mis à la terre. La mise à la terre réduit le risque de choc électrique en fournissant un fil d'échappement pour le courant électrique.

Cet appareil possède un cordon doté d'un fil de mise à la terre avec une fiche à 3 broches. Le cordon d'alimentation doit être branché sur une prise correctement mise à la terre. Si la sortie est une prise murale à 2 broches, elle doit être remplacée par une prise murale à 3 broches correctement mise à la terre. La plaque signalétique en série indique la tension et la fréquence auxquelles l'appareil est conçu.

AVERTISSEMENT - Une utilisation incorrecte de la fiche de mise à la terre peut entraîner un risque d'électrocution. Consultez un électricien qualifié ou un agent de service si les instructions de mise à la terre ne sont pas complètement comprises ou s'il existe un doute quant à savoir si l'appareil est correctement mis à la terre.

Ne branchez pas votre appareil à des rallonges ou avec un autre appareil dans la même prise murale. Ne pas épisser le cordon d'alimentation. Ne coupez ou retirez en aucun cas la troisième broche du cordon d'alimentation. N'utilisez pas de cordons de prolongement ou d'adaptateurs sans mise à la terre (deux broches).

Si le cordon d'alimentation est endommagé, il doit être remplacé par le fabricant, son agent de service ou une personne qualifiée similaire afin d'éviter tout risque.

GARDEZ CES INSTRUCTIONS!

INSTRUCTIONS D'INSTALLATION

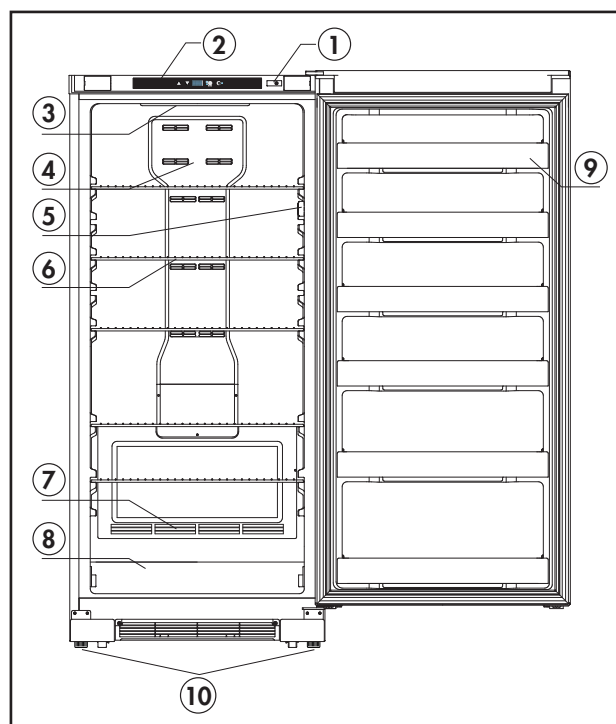
EMPLACEMENT

- Deux personnes doivent être utilisées pour déplacer l'appareil.
- Retirer l'emballage intérieur et extérieur avant l'installation. Essuyez l'extérieur de l'appareil avec un chiffon doux et sec et à l'intérieur avec un chiffon humide tiède.
- Placez votre appareil sur un plancher qui est assez fort pour le soutenir quand il est complètement chargé.
- Ne placez pas l'appareil directement dans la lumière du soleil ou à proximité de sources de chaleur, comme un poêle ou un réchauffeur, car cela peut augmenter la consommation électrique. Des températures ambiantes extrêmes et froides peuvent également provoquer un dysfonctionnement de l'appareil.
- Ne pas utiliser ce produit près de l'eau, par exemple, dans un sous-sol humide ou près d'un évier.
- Cet appareil est destiné à un usage domestique seulement. Cette unité n'est pas conçue pour une installation extérieure, y compris une installation où la température n'est pas contrôlée (garages, porches, carports, etc.).
- Avant de brancher l'appareil à une source d'alimentation, laissez-le debout pendant environ 6 heures; Ceci réduira la possibilité d'un dysfonctionnement dans le système de refroidissement de la manipulation pendant le transport.
- Cet appareil est 76,1 cm (29,9 pouces) de large par 170,9 cm (67,3 pouces) de haut par 72,4 cm (28,5 pouces) de profondeur; assurez-vous de laisser le dégagement minimum d'entre l'appareil et tous les murs environnants et les ouvertures.
- Laissez 12,7 cm (5 pouces) d'espace entre le dos, les côtés et le dessus de l'appareil et les parois adjacentes.
- Cet appareil est destiné uniquement à une installation autonome et ne doit pas être intégré dans une armoire ou un compteur. La construction de cet appareil peut provoquer un dysfonctionnement.

CONSIGNES D'UTILISATION

CARACTÉRISTIQUES

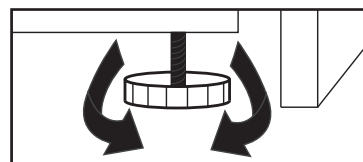
1. Interrupteur d'éclairage
2. Panneau de commande
3. Lumière à LED
4. Événement d'évacuation d'air
5. Senseur de température
6. Tablette du congélateur
7. Événement d'entrée d'air
8. Avant de la tablette
9. Tablette de porte
10. Patte ajustable



INSTRUCTIONS DE NIVEAU

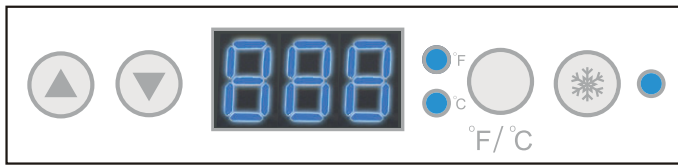
Il y a deux pattes réglables sur le bas de l'appareil qui peuvent être montées ou bas pour s'assurer que l'appareil est au niveau.

1. Tournez la jambe de nivellement dans le sens inverse des aiguilles d'une montre aussi loin que possible, jusqu'à ce que le haut du pied touche le bas du châssis.
2. Tournez lentement la jambe de nivellement dans le sens des aiguilles d'une montre jusqu'à ce que l'appareil soit à niveau.



CONSIGNES D'UTILISATION

PANNEAU DE CONTRÔLE



RÉGLAGE DE LA TEMPÉRATURE

Appuyez sur les boutons fléchés pour régler ou régler la température.

La température peut être réglée entre -14°C et -24°C (7°F et -11°F).

Le réglage de température recommandé est de -18°C (0°F).

FONCTION DE CONGÉLATION RAPIDE

Cette fonction doit être utilisée lorsque l'appareil est allumé pour la première fois, lorsqu'il a été rempli d'épicerie ou si la porte a été ouverte pendant une période prolongée. Cette fonction fera fonctionner le compresseur en permanence pour atteindre la température la plus froide aussi rapidement que possible.

Appuyez sur le bouton de congélation rapide et maintenez-le enfoncé pendant trois secondes pour activer la congélation rapide. L'indicateur LED s'allume.

Pour annuler la fonction de congélation rapide, maintenez enfoncé le bouton de congélation rapide jusqu'à ce que le voyant LED s'éteigne.

Lorsque le cycle de congélation rapide est terminé ou est annulé, l'appareil revient à la dernière température réglée.

ÉCHELLE DE TEMPÉRATURE

Pour basculer entre $^{\circ}\text{C}$ et $^{\circ}\text{F}$, appuyez sur le bouton $^{\circ}\text{C}/^{\circ}\text{F}$, le voyant correspondant s'allumera.

ALARME PORTE OUVERTE

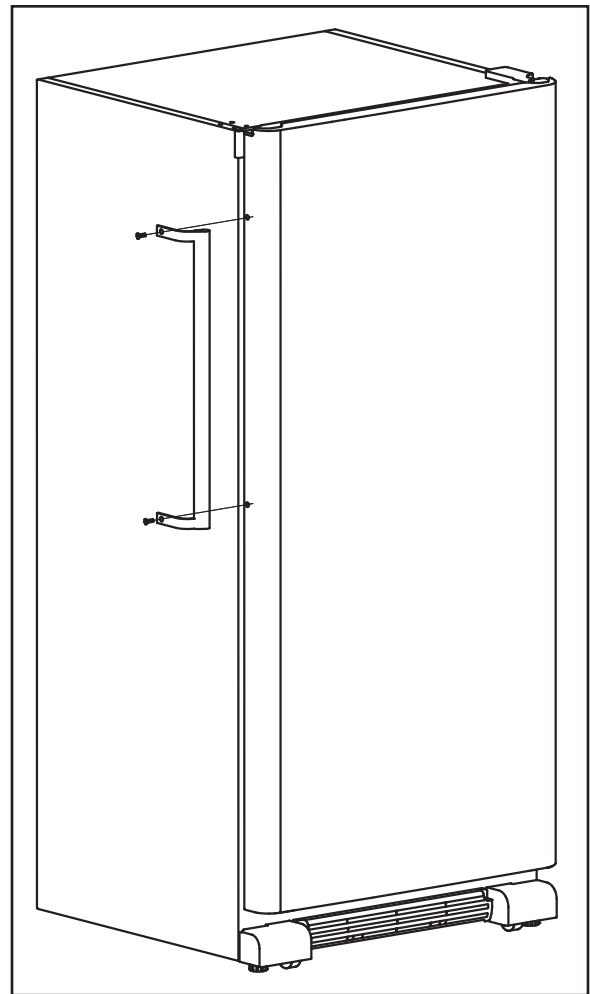
Cet appareil est équipé d'une alarme de porte qui retentit si la porte reste ouverte pendant plus de 3 minutes. L'alarme retentit et l'affichage clignote en continu jusqu'à ce que la porte soit fermée.

INSTALLATION DE LA POIGNÉE

L'appareil est expédié avec la poignée à l'intérieur du meuble pour le protéger des dommages. Il doit être installé par l'utilisateur final. L'appareil doit être débranché avant d'installer la poignée.

1. Placez la poignée sur les poteaux de la poignée de porte exposés.
2. Retirez les deux vis du côté de la porte avec un tournevis, insérez les vis dans le support de la poignée, fixez-le sur le côté de la porte et serrez-le jusqu'à ce qu'il soit bien ajusté.

Remarque: La poignée peut être légèrement différente en fonction de la couleur de l'appareil.



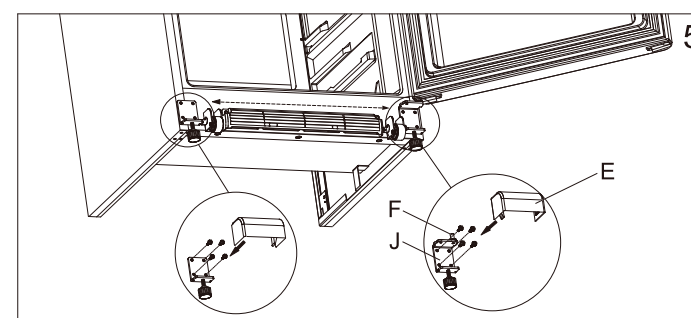
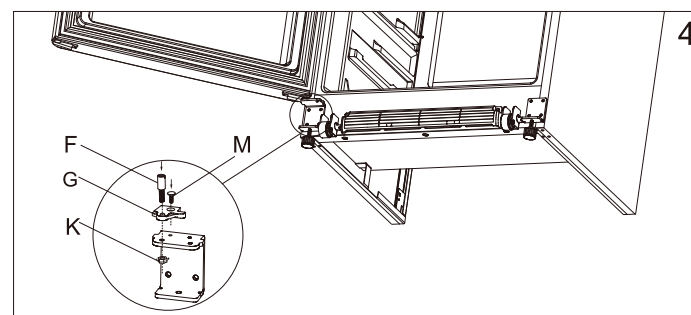
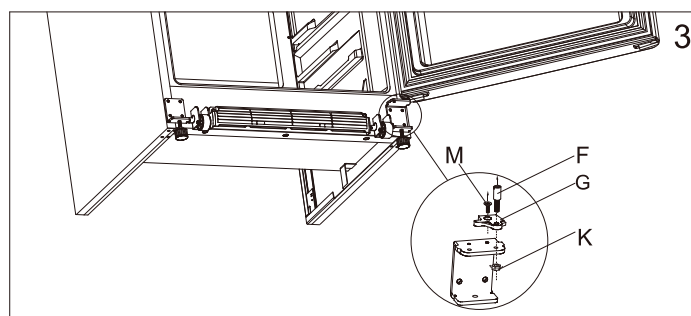
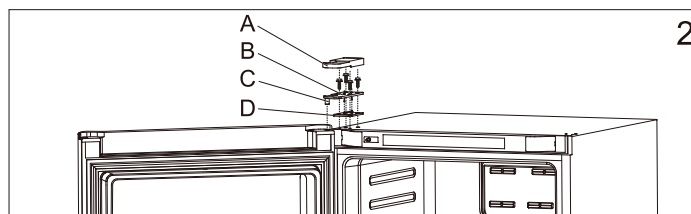
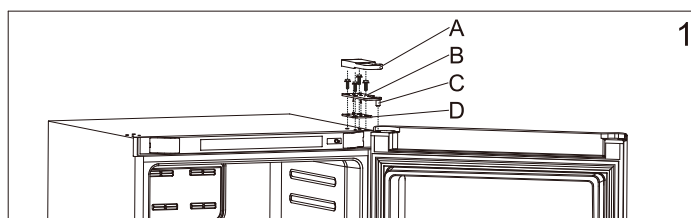
CONSIGNES D'UTILISATION

INSTRUCTIONS D'INVERSION DE PORTE

Si l'appareil est placé à l'arrière ou au côté pendant un certain temps pendant ce processus, il doit être autorisé à rester debout pendant 6 heures avant de le brancher pour éviter d'endommager les composants internes.

1. Enlevez une vis du couvre-charnière supérieur (A) et enlevez le couvre-charnière supérieur.
2. Enlevez quatre vis de la charnière supérieure (B) et enlevez la charnière supérieure, l'axe de porte supérieur (C) et l'entretoise de la charnière supérieure (D).
3. Enlevez la porte de l'appareil et mettez-la de côté. Attention de ne pas endommager les axes de porte inférieurs (F).
4. Enlevez les capuchons pour roulement au bas de l'appareil (E).
5. Enlevez les quatre vis des deux charnières inférieures et échangez les charnières inférieures (J). Assurez-vous que la charnière en forme de C soit sur le côté opposé de la poignée.
6. Réinstallez quatre vis dans chacune des charnières inférieures (H).
7. Réinstallez les axes de porte inférieurs (F et G).
8. Réinstallez la porte et assurez-vous que l'axe de porte inférieur (F) soit inséré dans le trou de la charnière inférieure la plus proche de l'extérieur de l'appareil.
9. Réinstallez l'entretoise de charnière (D), réinstallez l'axe de porte supérieur (C), et réinstallez la charnière supérieure avec quatre vis (B). Assurez-vous d'inverser la charnière supérieure de sorte que l'axe de porte supérieur soit dans la bonne position.
10. Réinstallez le couvre-charnière supérieur (A) avec une vis. Vous trouverez un couvre-charnière supérieur pour le côté opposé de l'appareil dans le sac d'accessoires à l'intérieur de l'appareil.
11. Réinstallez les capuchons pour roulement au bas de l'appareil (E).

Remarque: Lors de l'installation de la porte, assurez-vous que le haut de la porte est au niveau du haut de l'armoire. Si la porte n'est pas au niveau, le joint d'étanchéité en caoutchouc ne fera pas une bonne étanchéité avec l'armoire qui pourrait provoquer un dysfonctionnement de l'appareil.



SOINS ET ENTRETIEN

NETTOYAGE

Assurez-vous que l'appareil est débranché avant de nettoyer une partie de l'appareil.

- Pour nettoyer l'intérieur de l'appareil, utilisez un chiffon doux et une solution d'une cuillère à soupe de bicarbonate de soude à un quart d'eau ou une solution de savon doux ou un détergent doux.
- Lavez les tablettes amovibles dans une solution détergente douce, puis séchez et essuyez avec un chiffon doux.
- Nettoyez l'extérieur avec un chiffon doux et humide et un peu de détergent doux.
- Il est important de garder la région de scellement de la porte sur l'armoire propre. Nettoyez avec un tissu savonneux, rincez la région et puis séchez.

Remarque: N'utilisez pas de produits nettoyants comprenant de l'ammoniaque ou de l'alcool sur l'appareil. L'ammoniaque ou l'alcool peuvent altérer le fini de l'appareil. N'utilisez jamais de nettoyant industriels sur aucune partie de votre appareil.

PANNE DE COURANT

La plupart des pannes de courant ne durent que quelques heures et ne devraient pas modifier la température de votre appareil si vous réduisez au maximum le nombre de fois où la porte est ouverte. Si le courant reste coupé pendant une longue période, il faut prendre des mesures de protection du contenu de l'appareil.

Remarque: Attendez 3 à 5 minutes avant d'essayer de redémarrer le réfrigérateur si l'opération a été interrompue.

DÉGIVRER

Cet appareil est équipé d'une fonction de dégivrage automatique et ne nécessite pas de dégivrage manuel. Le dégivrage de l'eau de l'appareil est canalisé dans un tiroir situé au-dessus du compresseur. Le transfert de chaleur du compresseur provoque l'évaporation de l'eau de dégivrage.

CODES D'ERREUR

- E1: défaillance du capteur du réfrigérateur.
- E1: défaillance du capteur.
- E2: défaillance du capteur de dégivrage.
- E3: panne du capteur du réfrigérateur et défaillance du capteur de dégivrage.
- H: température élevée.

VACANCES

- **Courtes vacances:** Laissez le unité fonctionner pendant les vacances durant moins de trois semaines.
- **Longues vacances:** Si l'unité ne doit pas être utilisé pendant plusieurs mois, retirez tout ce qu'il contient et mettez-le hors tension. Nettoyez et asséchez à fond l'intérieur. Pour éviter les odeurs et le développement de moisissures, laissez la porte entrouverte, la coincer au besoin.

CONSEIL RELATIF AUX ÉCONOMIES D'ÉNERGIE

L'appareil doit être situé dans la zone la plus fraîche de la pièce, loin des appareils de production de chaleur et hors de la lumière directe du soleil. Ne pas surcharger l'appareil ou bloquer les ouvertures de ventilation.

DÉMÉNAGER

- Supprimez tous les éléments.
- Fermez la porte.
- Assurez-vous que l'appareil reste en position verticale pendant le transport. Protégez également l'extérieur de l'appareil avec une couverture ou un objet similaire.
- Si l'appareil est placé sur le dos ou le côté pendant le transport, en arrivant à la destination, lui permettre de rester en position de travail pendant 6 heures pour éviter d'endommager les composants internes.

ÉLIMINATION DES DÉCHETS

Ce produit ne doit pas être traité comme un déchet domestique ordinaire, il doit être transporté au point de collecte approprié pour le recyclage des composants électriques. Pour obtenir des renseignements sur les points de collecte des déchets locaux, communiquez avec votre agence locale de traitement des déchets ou avec le bureau du gouvernement.

DÉPANNAGE

Danby soins du consommateur: 1-800-263-2629

Heures d'ouverture:

Lundi à Jeudi 8 h 30 à 18 h, heure normale de l'Est
Vendredi de 8 h 30 à 16 h, heure normale de l'Est

Les informations contenues dans ce manuel sont sujettes à modification sans préavis.

PROBLÈME	CAUSE POSSIBLE
L'appareil n'est pas alimenté	<ul style="list-style-type: none">• Un fusible de votre panneau de distribution peut être grillé ou le disjoncteur déclenché• La fiche n'est pas complètement insérée dans prise murale
La température interne n'est pas assez froide	<ul style="list-style-type: none">• Le réglage de la température est trop chaud• Le porte n'est pas fermées correctement ou ouverte trop souvent• L'échappement est obstrué• Ajout récemment d'une grande quantité de nourriture chaude au cabinet• Proximité de la source de chaleur ou de la lumière directe du soleil• La température ambiante ou l'humidité est très élevée
L'appareil fonctionne en continu	<ul style="list-style-type: none">• Le réglage de la température est trop froid• Le porte n'est pas fermées correctement ou ouverte trop souvent• L'échappement est obstrué• Ajout récemment d'une grande quantité de nourriture chaude au cabinet• Proximité de la source de chaleur ou de la lumière directe du soleil• La température ambiante ou l'humidité est très élevée
La température interne est trop froide	<ul style="list-style-type: none">• Le réglage de la température est trop froid
Des bruits	<ul style="list-style-type: none">• Les pièces se développent et / ou le fluide frigorigène circule; c'est normal

GARANTIE LIMITÉE POUR APPAREIL ÉLECTROMÉNAGER RÉSIDENTIEL

Le fabricant garantit ce produit contre les défauts de matériaux et de fabrication, à condition que celui-ci soit utilisé dans des conditions normales telles que prévues par le fabricant.

La garantie est non transférable et offerte seulement au premier acheteur du produit auprès de Danby Products Limited (Canada) ou Danby Products Inc. (États-Unis) (ci-après « Danby ») ou d'un distributeur autorisé de Danby.

MODALITÉS DE LA GARANTIE

Les pièces de plastique sont garanties pendant trente (30) jours à compter de la date d'achat; aucune prolongation.

Cinq premières années Durant les cinq (5) premières années, toute pièce fonctionnelle reconnue défectueuse sera réparée ou remplacée, à la discrétion du fabricant, sans frais pour l'acheteur original.

Demande de service Communiquer avec le distributeur à qui le produit a été acheté ou le centre de service autorisé Danby le plus proche; le service doit être fait par un technicien qualifié du centre, sans quoi Danby ne sera tenue de respecter aucune des obligations de la présente garantie.

Territoire du service à domicile Danby se réserve le droit de fixer des limites géographiques au « service à domicile » selon la proximité d'un centre de service autorisé. Pour tout service sur un appareil situé hors du territoire établi, il reviendra à l'acheteur d'apporter à ses frais l'appareil au point de vente original ou au centre de service pour réparation. Si l'appareil se trouve à **100 km (62 miles)** ou plus d'un centre de service, l'acheteur doit le faire expédier au centre autorisé Danby le plus proche.

Les frais de transport (aller et retour) au centre de service ne sont pas couverts par la garantie et incombent à l'acheteur.

Aucun élément de la présente garantie ne sous-entend que Danby est d'une quelconque façon responsable de nourriture gaspillée ou de tout autre contenu endommagé en raison d'une défectuosité de l'appareil ou de son utilisation (adéquate ou inadéquate).

EXCLUSIONS

À moins d'indications contraires données aux présentes par Danby, le produit n'est l'objet d'aucune autre garantie, condition, déclaration ou assertion, expresse ou tacite, de la part de Danby ou de ses distributeurs autorisés. Est donc expressément exclue toute autre garantie, condition, déclaration ou assertion, notamment celles prévues par une loi sur la vente de biens ou une autre disposition législative semblable. **Sauf indications contraires aux présentes, Danby n'est pas responsable des dommages personnels ou matériels, y compris ceux au produit lui-même, quelle qu'en soit la cause, ni des dommages découlant d'un mal fonctionnement de l'appareil. Par l'achat du produit, l'acheteur accepte d'indemniser et de dégager de toute responsabilité Danby pour toute réclamation relative aux dommages personnels ou matériels imputables à l'appareil.**

DISPOSITIONS GÉNÉRALES

Toute garantie ou assurance incluse ou décrite aux présentes ne s'applique pas si les dommages ou les bris à réparer découlent d'une des situations suivantes :

- 1) Panne de courant
- 2) Dommage pendant le transport ou le déplacement de l'appareil
- 3) Source d'alimentation inadéquate (p. ex. tension faible, câblage résidentiel défectueux ou fusibles inadéquats)
- 4) Accident impliquant l'appareil ou altération ou utilisation abusive ou inadéquate de celui-ci, notamment une mauvaise circulation d'air dans la pièce ou des conditions d'utilisation anormales (p. ex. température ambiante extrême)
- 5) Usage commercial ou industriel (installation de l'appareil autre que dans une résidence)
- 6) Feu, dégât d'eau, vol, guerre, émeute, actes hostiles et catastrophes naturelles (p. ex. tornades, inondations, etc.)
- 7) Appels de service se résolvant par une formation de l'utilisateur
- 8) Mauvaise installation (appareil autoportant encastré ou utilisation extérieure d'un appareil non prévu à cette fin, dans un garage, sur un patio ou un porche, ou à tout autre endroit non adéquatement isolé ou où la température n'est pas contrôlée)

Une preuve d'achat avec date est requise pour toute réclamation en vertu de la garantie; conserver la facture de vente. En cas de service couvert par la garantie, présenter la preuve d'achat au centre de service autorisé.

Service sous garantie
À domicile

Danby Products Limited
C.P. 1778, Guelph (Ontario) N1H 6Z9, CANADA
Tél. : 519 837-0920 Téléc. : 519 837-0449

1 800 263-2629
12/18

Danby Products Inc.
PO Box 669, Findlay, Ohio, 45840, ÉTATS-UNIS
Tél. : 419 425-8627 Téléc. : 419 425-8629

Bienvenido

Bienvenido a la familia Danby. Estamos orgullosos de nuestros productos de calidad y creemos en un servicio confiable. Sugerimos que lea este manual del propietario antes de conectar el nuevo aparato ya que contiene información importante sobre la operación, información de seguridad, solución de problemas y consejos de mantenimiento para garantizar la fiabilidad y longevidad de su electrodoméstico.

Visite **www.Danby.com** para acceder a herramientas de autoservicio, preguntas frecuentes y mucho más. Para asistencia adicional, llame al **1-800-263-2629**.

Tenga en cuenta la información siguiente; Necesitará esta información para obtener un servicio bajo garantía.

Debe proporcionar el recibo de compra original para validar su garantía y recibir servicio.

Número de modelo: _____

Número de serie: _____

Fecha de compra: _____

Necesitas ayuda?

Antes de llamar al servicio, aquí hay algunas cosas que puede hacer para ayudarnos a servirle mejor.

Lea este manual del propietario:

Contiene instrucciones para ayudarlo a usar y mantener su aparato correctamente.

Si recibe un aparato dañado:

Inmediatamente póngase en contacto con el minorista o el constructor que le vendió el aparato.

Ahorre tiempo y dinero:

Consulte la sección de solución de problemas al final de este manual antes de llamar. Esta sección le ayudará a resolver problemas comunes que pueden ocurrir.



1-800-26- Danby
(1-800-263-2629)



Importantes Instrucciones de Seguridad

LEA Y SIGA TODAS LAS INSTRUCCIONES DE SEGURIDAD

REQUERIMIENTOS DE SEGURIDAD

PELIGRO: Riesgo de incendio o explosión. Refrigerante inflamable usado. No perforar la tubería del refrigerante.

- No utilice dispositivos mecánicos para descongelar el refrigerador.
- Asegúrese de que el personal de mantenimiento autorizado por la fábrica haga el mantenimiento para minimizar los daños o problemas de seguridad del producto.
- Consulte el manual de reparación o la guía del propietario antes de intentar reparar este producto. Todas las precauciones de seguridad deben ser seguidas.
- Deseche adecuadamente de acuerdo con las regulaciones federales o locales.
- Siga cuidadosamente las instrucciones de manipulación.
- No almacene sustancias explosivas como aerosoles con propelente inflamable en este electrodoméstico.

ADVERTENCIA: Mantenga las aberturas de ventilación, en la caja del aparato o en la estructura incorporada, sin obstrucción.

ADVERTENCIA: No utilice dispositivos mecánicos u otros medios para acelerar el proceso de descongelación, distintos de los recomendados por el fabricante.

ADVERTENCIA: No dañar el circuito refrigerante.

ADVERTENCIA: No utilice electrodomésticos dentro de los compartimentos de almacenamiento de alimentos del aparato, a menos que sean del tipo recomendado por el fabricante.

PRECAUCIÓN: Los niños deben ser supervisados para asegurarse de que no juegan con el aparato.

PELIGRO: Riesgo de atrapamiento de niños. Antes de tirar un electrodoméstico viejo:

- Retire la puerta o la tapa.
- Deje los estantes en su lugar para que los niños no puedan subir fácilmente dentro.

PELIGRO: No agregue un candado a la puerta o tapa. Esto puede causar atrapamiento y daño al niño.

REQUERIMIENTOS DE SEGURIDAD

Este aparato no está diseñado para ser usado por personas (incluyendo niños) cuyas capacidades físicas, sensoriales o mentales pueden ser diferentes o reducir, o que carecen de experiencia o conocimiento, a menos que dichas personas reciban supervisión o entrenamiento para operar el aparato por una persona responsable de su la seguridad.

Este dispositivo está destinado a ser utilizado en aplicaciones domésticas y similares, tales como:

- Cocinas de personal en tiendas, oficinas y otros entornos de trabajo;
- Casas rurales y clientes en hoteles, moteles y otros entornos de tipo residencial;
- Cama y desayuno;
- Catering y aplicaciones similares no minoristas.

INSTRUCCIONES DE CONEXION A TIERRA

Este aparato debe estar conectado a tierra. La puesta a tierra reduce el riesgo de descarga eléctrica proporcionando un cable de escape para la corriente eléctrica.

Este aparato tiene un cable que tiene un cable de conexión a tierra con un enchufe de 3 clavijas. El cable de alimentación debe estar enchufado en un tomacorriente que esté debidamente conectado a tierra. Si el tomacorriente es un enchufe de pared de 2 terminales, debe ser reemplazado por un tomacorriente de pared de 3 clavijas debidamente conectado a tierra. La placa de características en serie indica el voltaje y la frecuencia que el aparato está diseñado para.

ADVERTENCIA - El uso incorrecto del enchufe de conexión a tierra puede resultar en un riesgo de descarga eléctrica. Consulte a un electricista calificado o agente de servicio si las instrucciones de conexión a tierra no se entienden completamente o si existe duda sobre si el aparato está debidamente conectado a tierra.

No conecte el aparato a los cables de extensión ni con otro aparato en la misma toma de corriente.

No empalme el cable de alimentación. No corte ni extraiga en ningún caso la tercera clavija de tierra del cable de alimentación. No utilice cables de extensión ni adaptadores sin conexión a tierra (dos clavijas).

Si el cable de alimentación está dañado, debe ser reemplazado por el fabricante, su agente de servicio o persona calificada similar para evitar riesgos.

¡GUARDE ESTAS INSTRUCCIONES!

INSTRUCCIONES DE INSTALACIÓN

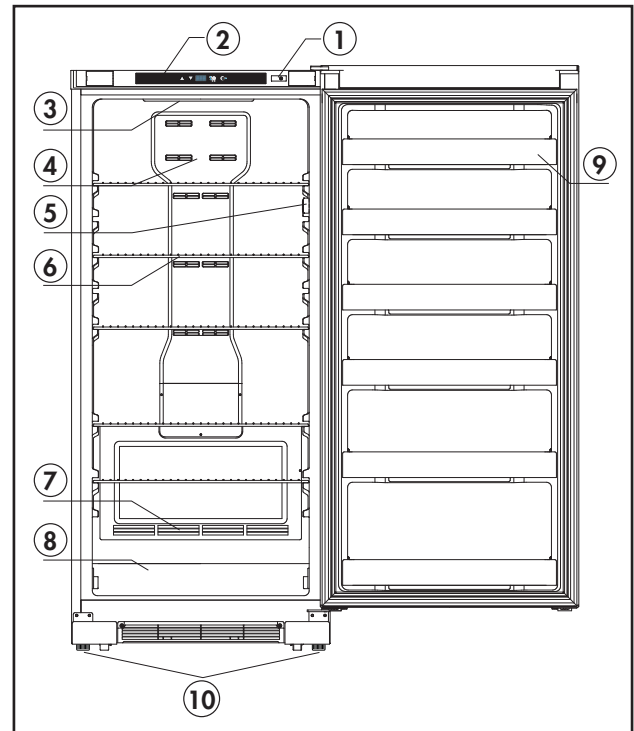
UBICACIÓN

- Se deben utilizar dos personas al mover el aparato.
- Retire el embalaje interior y exterior antes de la instalación. Limpie el exterior del aparato con un paño suave y seco y el interior con un paño húmedo tibio.
- Coloque el aparato en un piso que sea lo suficientemente fuerte como para soportarlo cuando esté completamente cargado.
- Ubique el aparato lejos de la luz directa del sol y fuentes de calor (estufa, calentador, radiador, etc.). La luz solar directa y las fuentes de calor pueden aumentar el consumo eléctrico. Las temperaturas ambientales extremadamente frías también pueden causar que la unidad funcione incorrectamente.
- No utilice este producto cerca del agua, por ejemplo, en un sótano húmedo o cerca de un fregadero.
- Este aparato está diseñado para uso doméstico solamente. Esta unidad no está diseñada para instalación exterior, incluida la instalación en cualquier lugar que no sea de temperatura controlada (garajes, porches, cocheras, etc.).
- Antes de conectar el aparato a una fuente de alimentación, deje que se mantenga erguido durante aproximadamente 6 horas; Esto reducirá la posibilidad de un malfuncionamiento en el sistema de enfriamiento debido a la manipulación durante el transporte.
- Esta aparato tiene 76.1 cm (29.9 pulgadas) de ancho por 170.9 cm (67.3 pulgadas) de alto por 72.4 cm (28.5 pulgadas) de profundidad; por favor asegúrese de dejar un espacio mínimo entre la unidad y todas las paredes circundantes y las aberturas de ventilación.
- Espere 12.7 cm (5 pulgadas) de espacio entre la parte posterior, los lados y la parte superior del aparato y todas las paredes adyacentes.
- Este aparato está diseñado para instalación independiente y no está diseñado para ser instalado en un gabinete o mostrador. La construcción en este aparato puede causar un mal funcionamiento.

INSTRUCCIONES DE OPERACIÓN

CARACTERÍSTICAS

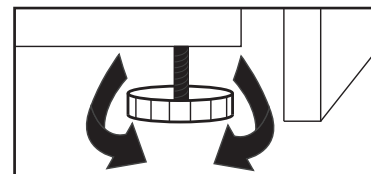
1. Interruptor de la luz
2. Panel de control
3. Luz LED
4. Salida de aire
5. Sensor de temperatura
6. Estante del congelador
7. Entrada de aire
8. Estante de la puerta
9. Frente del estante
10. Patas ajustables



INSTRUCCIONES DE NIVELACIÓN

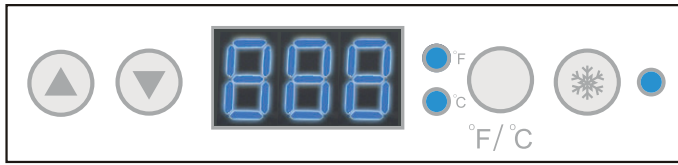
Hay dos patas ajustables en la parte inferior del aparato que se pueden subir o bajar para asegurarse de que el aparato esté nivelado.

1. Gire la pierna de nivelación en el sentido de las agujas del reloj hasta el tope, hasta que la parte superior del pie toque la parte inferior del chasis.
2. Gire lentamente la pierna de nivelación en el sentido de las agujas del reloj hasta que el aparato esté nivelado.



INSTRUCCIONES DE OPERACIÓN

PANEL DE CONTROL



AJUSTE DE TEMPERATURA

Presione los botones de flecha para configurar o ajustar la temperatura.

La temperatura se puede establecer entre -14°C a -24°C (7°F a -11°F).

El ajuste de temperatura recomendado es -18°C (0°F).

FUNCIÓN DE CONGELACIÓN RÁPIDA

Esta función debe usarse cuando el aparato se enciende por primera vez, cuando se ha llenado de comestibles o si la puerta ha estado abierta durante un período prolongado. Esta función hará funcionar el compresor constantemente para alcanzar la temperatura más fría lo más rápido posible.

Mantenga presionado el botón de congelación rápida durante tres segundos para activar la congelación rápida. El indicador LED se iluminará.

Para cancelar la función de congelación rápida, mantenga presionado el botón de congelación rápida hasta que el indicador LED se apague.

Cuando el ciclo de congelación rápida ha finalizado o se cancela, el aparato volverá a la última temperatura establecida.

LA ESCALA DE TEMPERATURA

Para cambiar entre $^{\circ}\text{C}$ y $^{\circ}\text{F}$, presione el botón $^{\circ}\text{C}/^{\circ}\text{F}$, la luz indicadora correspondiente se iluminará.

ALARMA DE PUERTA ABIERTA

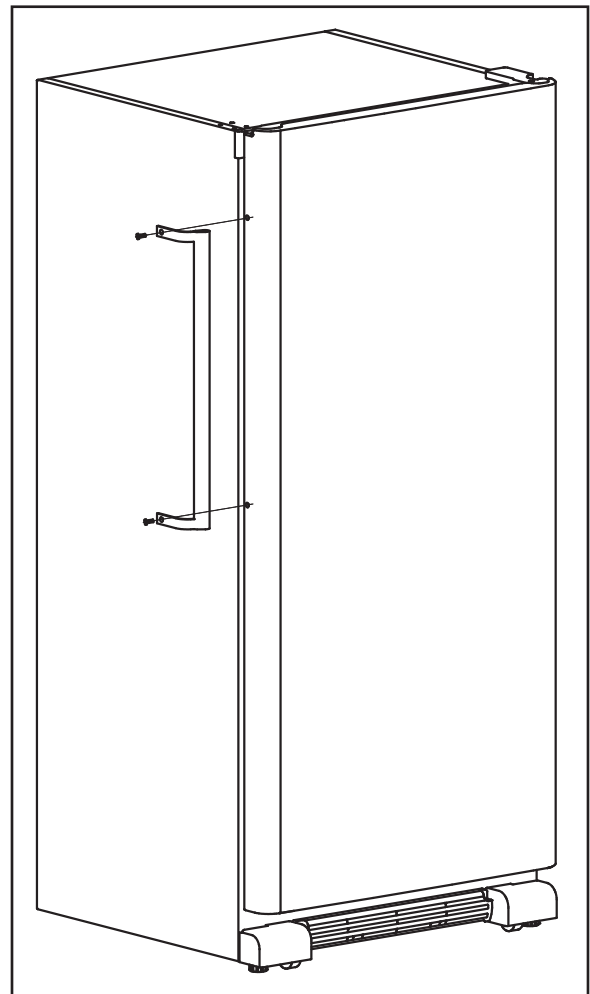
Este aparato está equipado con una alarma de puerta que sonará si la puerta se deja abierta durante más de 3 minutos. La alarma sonará y la pantalla parpadeará continuamente hasta que se cierre la puerta.

INSTALACIÓN DE MANIJA

El electrodoméstico se envía con la manija dentro del gabinete para protegerlo de daños. Debe ser instalado por el usuario final. El electrodoméstico debe desconectarse antes de instalar el mango.

1. Coloque el mango sobre los postes expuestos de la manija de la puerta.
2. Retire los dos tornillos del lado de la puerta con un destornillador, inserte los tornillos en el soporte de la manija, fíjelo al lado de la puerta y apriételo hasta que quede ajustado.

Nota: El manija puede parecer ligeramente diferente según el color del aparato.



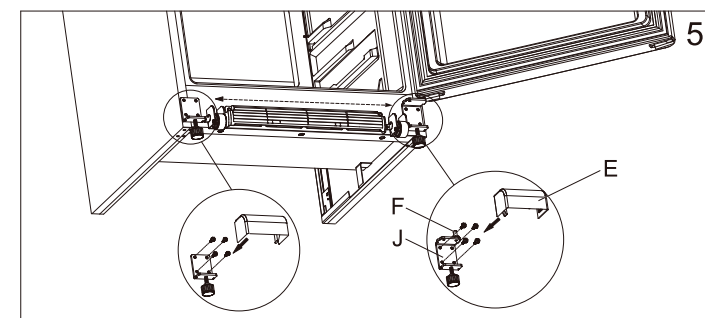
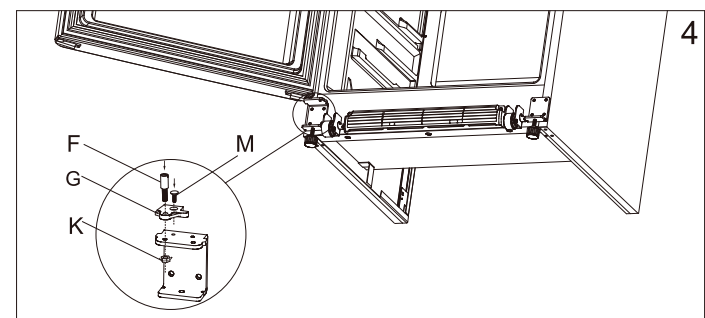
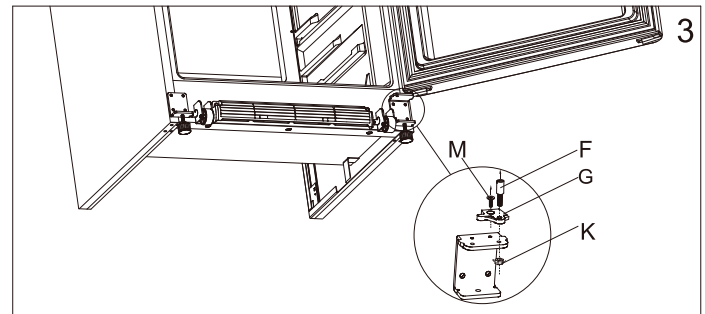
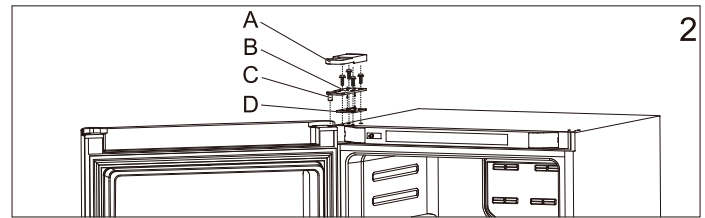
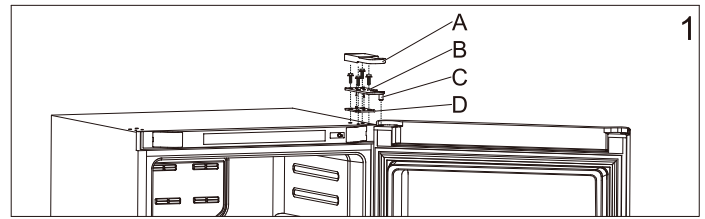
INSTRUCCIONES DE OPERACIÓN

INSTRUCCIONES DE REVERSIÓN DE PUERTA

Si el aparato se coloca en su parte posterior o lateral durante un período de tiempo prolongado durante este proceso, se debe permitir que permanezca erguido durante 6 horas antes de enchufarlo para evitar daños a los componentes internos.

1. Saque un tornillo de la cubierta de la bisagra superior (A) y luego remueva la tapa de bisagra superior.
2. Saque cuatro tornillos de la bisagra superior (B) y remueva la bisagra superior, el vástago superior de la puerta (C) y el espaciador de la bisagra superior (D).
3. Saque la puerta de la unidad y déjela a un lado. Asegúrese de no dañar los vástagos inferiores de la puerta (F).
4. Remueva las tapas de los rodillos de la parte de abajo de la unidad (E).
5. Remueva cuatro tornillos de cada una de las bisagras inferiores e invierta las bisagras inferiores (J). Verifique que la bisagra en forma de C quede del lado de la unidad opuesto a la manija.
6. Vuelva a instalar los cuatro tornillos de cada bisagra inferior (F).
7. Vuelva a instalar los vástagos inferiores de la puerta (G).
8. Vuelva a instalar la puerta verificando que el vástago inferior (F) quede dentro del orificio de la bisagra inferior más cercano al exterior de la unidad.
9. Vuelva a colocar el espaciador de la bisagra (D), el vástago superior de la puerta (C) y la bisagra superior con los cuatro tornillos (B). Asegúrese de cambiar la bisagra superior al lado opuesto de modo que el vástago superior de la puerta quede en la posición correcta.
10. Vuelva a instalar la tapa de la bisagra superior (A) con un tornillo. Puede encontrar una tapa de bisagra superior para el lado opuesto de la unidad en la bolsa de accesorios dentro de la unidad.
11. Vuelva a instalar las tapas de los rodillos en la parte de abajo de la unidad (E).

Nota: Al instalar la puerta, asegúrese de que la parte superior de la puerta esté nivelada con la parte superior del gabinete. Si la puerta no está nivelada, la junta de goma no hará un buen sellado con el armario, lo que puede causar un mal funcionamiento del aparato.



CUIDADO Y MANTENIMIENTO

LIMPIEZA

Asegúrese de que la unidad esté desenchufada antes de limpiar cualquier parte del aparato.

- Para limpiar el interior del aparato, utilice un paño suave y una solución de una cucharada de bicarbonato de sodio a un litro de agua o una solución de jabón suave o algún detergente suave.
- Lave los estantes removibles en una solución de detergente suave, luego seque y limpie con un paño suave.
- Limpie el exterior con un paño suave y húmedo y un poco de detergente suave.
- Es importante mantener el área limpia donde la puerta sella contra el gabinete. Limpie este área con un paño jabonoso. Enjuague con un paño húmedo y deje secar.

Nota: No utilice limpiadores que contengan amoníaco o alcohol en el aparato. El amoníaco o el alcohol pueden dañar el aspecto del aparato. Nunca utilice limpiadores comerciales o abrasivos ni objetos afilados en ninguna parte del aparato.

FALLO DE ALIMENTACIÓN

La mayoría de las fallas de alimentación se corrigen en pocas horas y no deben afectar la temperatura de su aparato si minimiza el número de veces que se abre la puerta. Si la alimentación va a estar apagada por un período de tiempo más largo, tome las medidas apropiadas para proteger su contenido.

Nota: Espere de 3 a 5 minutos antes de intentar reiniciar el refrigerador si se ha interrumpido la operación.

DESCONGELAR

Esta unidad está equipada con una función de descongelación automática y no requiere descongelación manual. El agua de descongelación del aparato se canaliza en una bandeja de goteo situada por encima del compresor. La transferencia de calor desde el compresor hace que el agua de descongelación se evapore.

CÓDIGOS DE ERROR

- E1: Fallo del sensor.
- E2: Fallo del sensor de descongelación.
- E3: fallo del sensor del refrigerador y fallo del sensor de descongelación.
- H: Temperatura alta.

VACACIONES

- **Vacaciones cortas:** Deje el aparato en funcionamiento durante las vacaciones de menos de tres semanas.
- **Largas vacaciones:** Si el aparato no se va a utilizar durante varios meses, retire todos los artículos y apague el aparato. Limpie y seque el interior a fondo. Para evitar el olor y el moho, deje la puerta ligeramente abierta, bloqueándola si es necesario.

TIP DE AHORRO DE ENERGÍA

El aparato debe estar ubicado en la zona más fresca de la habitación, lejos de los aparatos que producen calor y fuera de la luz directa del sol. No sobrecargue la unidad ni bloquee las aberturas de ventilación.

MUDARSE

- Eliminar todos los elementos.
- Tape la puerta cerrada.
- Asegúrese de que el aparato permanezca seguro en posición vertical durante el transporte. Proteja también el exterior del aparato con una manta o un artículo similar.
- Si el aparato se coloca en su parte posterior o lateral durante el transporte, al llegar al destino, permita que permanezca en su posición de funcionamiento durante 6 horas para evitar daños a los componentes internos.

DISPOSICIÓN

Este aparato no puede ser tratado como un residuo doméstico normal, sino que debe ser llevado al punto de recogida de residuos apropiado para el reciclaje de componentes eléctricos. Para obtener información sobre los puntos de recogida de residuos locales, póngase en contacto con la agencia local de eliminación de residuos o con la oficina gubernamental.

SOLUCIÓN SUGERIDA

Danby cuidado del consumidor: 1-800-263-2629

Horas de operación:

Lunes a Jueves 8:30 am - 6:00 pm Hora estándar del este

Viernes 8:30 am - 4:00 pm Hora estándar del este

La información de este manual está sujeta a cambios sin previo aviso.

PROBLEMA	POSSIBLE CAUSA
No funciona	<ul style="list-style-type: none">• Un fusible en su casa puede soplarse o el interruptor de circuito disparado• El enchufe no está completamente insertado en la toma de corriente
La temperatura interna no es lo suficientemente fría	<ul style="list-style-type: none">• La temperatura está demasiado alta• La puerta no se cierra correctamente o se abre demasiado• El respiradero de escape está obstruido• Recientemente se agregó una gran cantidad de alimentos calientes al armario• Muy cerca de la fuente de calor o de la luz solar directa• La temperatura ambiente o la humedad es muy alta
El aparato funciona continuamente	<ul style="list-style-type: none">• La temperatura está demasiado fría• La puerta no se cierra correctamente o se abre demasiado• El respiradero de escape está obstruido• Recientemente se agregó una gran cantidad de alimentos calientes al armario• Muy cerca de la fuente de calor o de la luz solar directa• La temperatura ambiente o la humedad es muy alta
La temperatura interna es demasiado fría	<ul style="list-style-type: none">• La temperatura está demasiado fría
Ruidos	<ul style="list-style-type: none">• Las partes se están expandiendo y / o el refrigerante está circulando; esto es normal

GARANTÍA LIMITADA "A DOMICILIO"

Este producto de calidad está garantizado contra defectos de fabricación, incluyendo partes y mano de obra, siempre y cuando la unidad se utilice bajo las condiciones normales de funcionamiento para las que fue diseñado. Esta garantía está solamente disponible para la persona que haya comprado originalmente esta unidad directamente de Danby Products Limited (Canada) o Danby Products Inc. (U.S.A.) (en adelante "Danby") o uno de sus distribuidores autorizados, y no es transferible.

CONDICIONES DE LA GARANTÍA

Las piezas plásticas, se autorizan por treinta (30) días solamente a partir de la fecha de la compra, sin las extensiones proporcionadas.

Primeros 5 años Durante los primeros **cinco (5) años**, cualquier parte en buen estado de este producto que resulte defectuosa, incluyendo cualquier sistema sellado, será reparado o reemplazado, a opción del fabricante, sin cargo para el comprador ORIGINAL.

Para obtener servicio Comuníquese con el distribuidor donde haya comprado la unidad, o llame al Taller de Servicio Autorizado más cercano, donde debe ser reparada por un técnico calificado. Si esta unidad es reparada en otro lugar que no sea un Taller de Servicio Autorizado, o si la unidad se utiliza para aplicaciones comerciales, Danby no se hará responsable de ninguna forma y la garantía será anulada.

Límites del servicio técnico a domicilio Danby se reserva el derecho de limitar la cobertura de "Servicio en Domicilio" sujeto a la proximidad de un **Taller de Servicio Autorizado**. Para todo artefacto que requiera servicio fuera del área limitada de "Servicio en Domicilio", el cliente será responsable por transportar dicho artefacto hasta el Taller de Servicio Autorizado más cercano. Si el electrodoméstico está instalado en un lugar que se encuentra a **100 kilómetros (62 millas)** o más del centro de servicios más cercano, se debe llevar la unidad al Centro de servicios Danby autorizado más cercano, ya que dicho servicio sólo puede realizarlo un técnico calificado y certificado por Danby para prestar servicios de garantía.

Los cargos por transporte desde y hacia el lugar en que se efectúe el servicio técnico no están cubiertos por esta garantía y son de responsabilidad del comprador.

Nada dentro de esta garantía implica que Danby será responsable por cualquier daño que hayan sufrido los alimentos u otros contenidos de este aparato, ya sea debido a un defecto del aparato, o su uso, adecuado o inadecuado.

EXCLUSIONES

Salvo lo aquí indicado por Danby, no existen otras garantías, condiciones o representaciones, explícitas o implícitas, concretas o intencionales por parte de Danby o sus distribuidores autorizados y todas las demás garantías, condiciones o representaciones, incluyendo cualquier garantía, condiciones o representaciones bajo cualquier Acta de Venta de Productos o legislación o estatuto similar, quedan de esta forma expresamente excluidas. **Salvo lo aquí indicado, Danby no serán responsables por ningún daño a personas o bienes, incluyendo la propia unidad, sin importar su causa, o de ningún daño indirecto causado por el desperfecto de la unidad, y al comprar esta unidad, el comprador acepta por la presente, indemnizar y proteger a Danby contra cualquier reclamo por daños a personas o bienes causados por la unidad.**

CONDICIONES GENERALES

No se considerará ninguna de estas garantías o seguros cuando el daño o la necesidad de reparación sea el producto de los siguientes casos:

- 1) Falla del suministro eléctrico.
- 2) Daños en tránsito o durante el transporte de la unidad.
- 3) Alimentación incorrecta, como bajo voltaje, instalación eléctrica defectuosa o fusibles inadecuados.
- 4) Accidente, modificación, abuso o uso incorrecto del artefacto, tal como insuficiente ventilación del ambiente o condiciones de operación anormales (temperatura ambiente extremadamente alta o baja).
- 5) Utilización comercial o industrial (v.g., si el electrodoméstico no está instalado en una vivienda particular).
- 6) Incendio, daños por agua, robo, guerra, disturbios, hostilidades, actos de fuerza mayor como huracanes, inundaciones, etc.
- 7) Pedidos de servicio debido a desinformación del usuario.
- 8) Instalación inadecuada (v.g., instalación empotrada de un electrodoméstico diseñado como unidad independiente o uso de un electrodoméstico al aire libre que no esté aprobado para dicho fin, incluyendo pero no limitado a: garajes, patios, porches o en cualquier lugar que no esté bien aislado o controlado por el clima).

Se requerirá una prueba de la fecha de compra para reclamaciones de garantía; Retener las facturas de venta. En el caso de que se requiera servicio de garantía, presente el comprobante de compra a nuestro depósito de servicio autorizado.

Servicio de Garantía
Servicio en Domicilio

Danby Products Limited
PO Box 1778, Guelph, Ontario, Canada N1H 6Z9
Telephone: (519) 837-0920 FAX: (519) 837-0449

1-800-263-2629
08/17

Danby Products Inc.
PO Box 669, Findlay, Ohio, U.S.A. 45840
Telephone: (419) 425-8627 FAX: (419) 425-8629

MODEL • MODÈLE • MODELO

DUF167A4WDD

DUF167A4BSLDD

DANBY PRODUCTS LIMITED, ONTARIO, CANADA N1H 6Z9
DANBY PRODUCTS INC., FINDLAY, OHIO, USA 45840

Printed in China
Imprimé en Chine
Impreso en China