

Danby[®] *Designer*

**OWNER'S MANUAL
GUIDE DU PROPRIÉTAIRE
MANUAL DEL USARIO**

DWC357BLP

CAUTION :

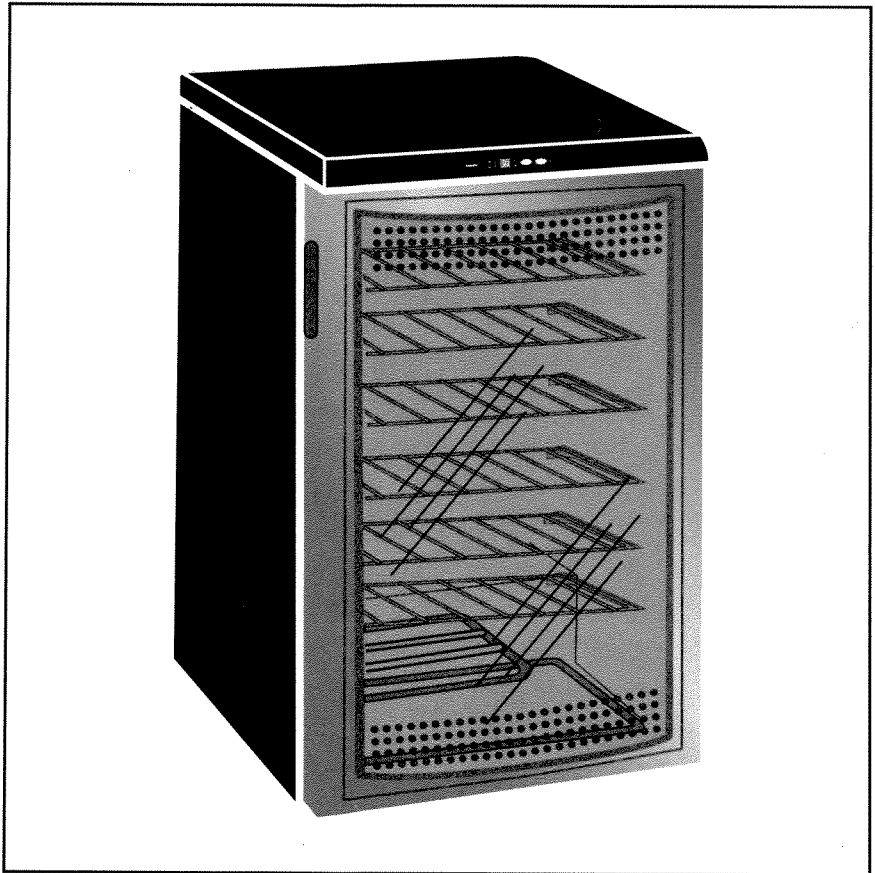
Read and Follow All Safety Rules and
Operating Instructions Before First
Use of This Product.

ATTENTION :

Avant de faire fonctionner cette
machine, lisez et suivez toutes les
consignes de sécurité de ce guide en
premier lieu.

ATENCIÓN:

Lea y Siga Todas las Indicaciones de
Seguridad y de Operación Antes de
Utilizar Este Producto.



| | |
|---------------------------------|-----------|
| Table of Contents | 1 |
| Table des matières | 13 |
| Índice | 25 |



1-800-263-2629

Danby Products Limited, Guelph, Ontario Canada N1H 6Z9
Danby Products Inc., Findlay, Ohio USA 45840

TABLE OF CONTENTS

Important Safety Information

3

| | |
|------------------------|---|
| Safety Precautions | 3 |
| Grounding Instructions | 4 |
| Location Requirements | 4 |

Operating Instructions

5

| | |
|----------------------------------|---|
| Features of Your Wine Cooler | 5 |
| Leveling Instructions | 5 |
| The Controls of Your Wine Cooler | 6 |
| Setting the Temperature | 6 |
| Loading Instructions | 7 |
| Rack Instructions | 7 |

Door Reversal

8

Care and Cleaning

9

| | |
|--------------------------|--|
| Helpful Hints | |
| How to Clean the Inside | |
| How to Clean the Outside | |

Trouble Shooting

10

| | |
|-----------------------------|----|
| Before You Call For Service | 10 |
| Warranty | 11 |

WELCOME

This owner's manual provides information necessary for the proper care and maintenance of your new appliance. If properly maintained, your wine cooler will give you many years of trouble free operation. To avoid difficulties, read these instructions completely before starting.

For easy reference, you want to attach a copy of your sales receipt to this page. This information is needed when you contact a Customer Service Representative.

Start Here!...Before using your Wine Cooler

Write down the date of purchase and serial number in the spaces provided below. The serial number is located on a white label on the back of the appliance.

Model number: **DWC357BLP**

Date purchased: _____

Serial number: _____

NEED HELP?

Before you call for service, there are a few things you can do to help us serve you better...

Read this manual

It contains instructions to help you use and maintain your appliance properly.

If you received a damaged appliance...

Immediately contact the dealer (or builder) that sold you the appliance.

Save time *and* money

Check the Trouble Shooting section before calling. This section helps you solve common problems that may occur.

If you do need service, you can relax knowing help is only a phone call away.

Tel: **1-800-26-Danby**

IMPORTANT SAFETY INFORMATION

READ ALL SAFETY INFORMATION BEFORE USING

WARNING

DANGER, RISK OF CHILD ENTRAPMENT!

An empty wine cooler is a very dangerous attraction to children. Remove either the gasket, latches, lids, lock and/or doors from unused or discarded appliances, or take some other action to guarantee it harmless.

DON'T WAIT, DO IT NOW!

CAUTION

To avoid installation/operation difficulties, read these instructions thoroughly.

SAFETY PRECAUTIONS

- This appliance must be grounded. Connect only to a properly grounded outlet. See "Grounding Instructions" section on page 4.
- Do not operate this appliance if it has a damaged power cord or plug, if it is not working properly, or if the appliance has been damaged or dropped.
- Do not splice the power cord that is equipped with this appliance.
- Keep power cord away from heated surfaces.
- Do not immerse power cord, plug or the appliance itself in water.
- Do not use this product near water-for example, in a wet basement, near a swimming pool or near a sink.
- Do not use corrosive chemicals or vapors in this appliance.
- Use this appliance only for it's intended use, as described in this manual.
- Do not store perishable food items such as (but not limited to) meats and dairy products in your wine cooler.
- Store wine in sealed bottles only.
- See door surface cleaning instructions in the Care and Cleaning section(s) of this manual.
- Do not cover or block any openings on the appliance.
- This appliance is intended for household use only. Do not attempt to operate or store this appliance outdoors.
- This appliance should be serviced only by qualified service personnel. Contact the nearest authorized service facility for examination, repair or adjustment.

SAVE THESE INSTRUCTIONS

IMPORTANT SAFETY INFORMATION

GROUNDING INSTRUCTIONS

WARNING!

Improper use of the grounding plug can result in a risk of electrical shock.

This appliance must be grounded. In the event of an electrical short circuit, grounding reduces the risk of electric shock by providing an escape wire for the electric current.

This appliance is equipped with a power cord having a grounding wire with a grounding plug. The plug must be plugged into an outlet that is properly installed and grounded.

Consult a qualified electrician or service technician if the grounding instructions are not completely understood, or if doubt exists as to whether the appliance is properly grounded.

If the outlet is a standard 2-prong wall outlet, it is your personal responsibility and obligation to have it replaced with a properly grounded 3-prong wall outlet.

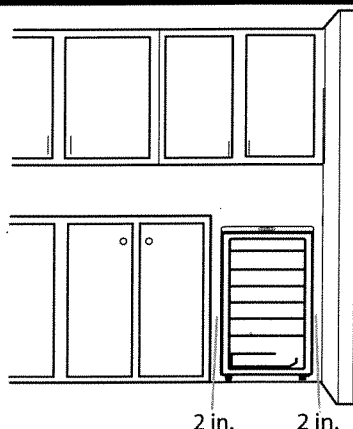
For best operation, plug this appliance into its own electrical outlet to prevent flickering of lights, blowing of fuse or tripping of circuit breaker.

Do not under any circumstances cut or remove the third (ground) prong from the power cord.

Do not use an adapter plug with this appliance.

Do not use an extension cord with this appliance. If the power cord is too short, have a qualified electrician or service technician install an outlet near the appliance.

Location Requirements



DO...

- Select a location with a strong, level floor.
- Allow 5 inches of space between the back of the appliance and any adjacent wall.
- Avoid direct sunlight and heat. Direct sunlight may affect the acrylic coating, heat sources nearby will cause higher electricity consumption.

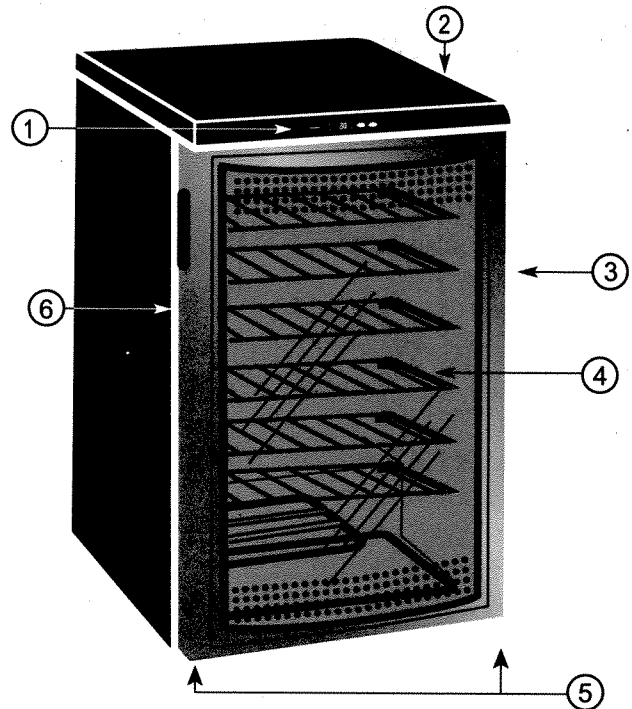
DO NOT...

- **Use this appliance outdoors:** This appliance is intended for *household use only*. Do not attempt to operate or store this appliance outdoors.
- **Build this appliance into an enclosure:** This appliance is designed for a free-standing application only and is not intended to be "built-in".

Operating Instructions

Features of Your Wine Cooler

- 1. Electronic Display and Controls:** For viewing and regulating the temperature of the wine cooler.
- 2. Worktop.**
- 3. Tempered Glass Door:** Tinted for UV protection while still allowing for easy interior viewing.
- 4. Wine Rack:** Allows for storage of up to five (5) bottles of wine.
- 5. Leveling Legs**
- 6. Magnetic Door Gaskets:** Tight fitting seals retain all the cooling power and humidity levels.
- 7. Interior Light (*not shown*):** Interior light illuminates your wine selection.



Leveling Instructions

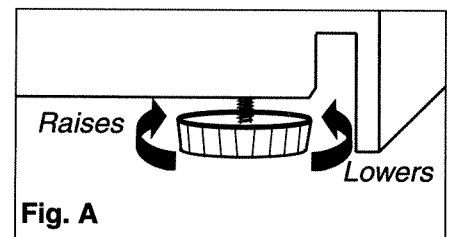
WARNING!

Extreme Weight Hazard

Use two or more people when moving the wine cooler.

It is important that your wine cooler is level. To level the wine cooler:

1. Move the wine cooler to its final location.
2. Have someone gently lean on the front of the wine cooler to take some of the weight off of the leveling legs.
3. Turn the leveling legs clockwise to raise the wine cooler, or counter-clockwise to lower it. Continue in this manner until the wine cooler is level. See Fig. A.



Operating Instructions

The Controls of Your Wine Cooler

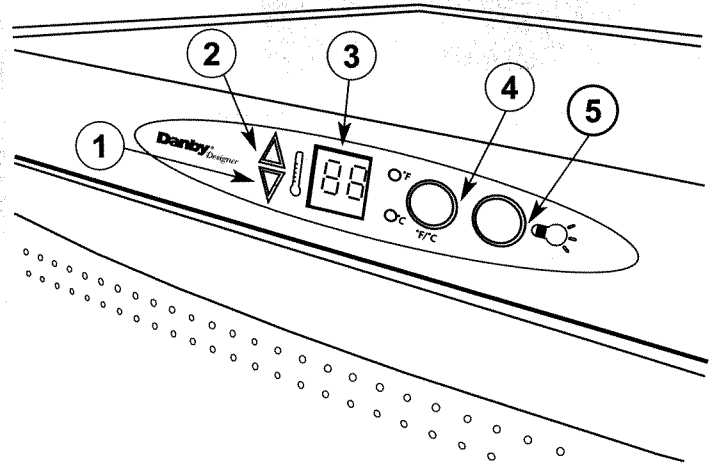
1. 'DOWN' Button: (Cooler) Used to decrease the temperature in 1° degree increments.

2. 'UP' Button: (Warmer) Used to raise the temperature in 1° degree increments.

3. Temperature Display: Display screen shows the temperature.

4. F° / C° Button: Used to switch between the Fahrenheit and Celsius scales. Adjacent indicator lights denote which scale of temperature is displayed.

5. Interior Light Toggle Switch: Manually illuminate or extinguish interior light.



Setting the Temperature

IMPORTANT!

In the event of a power failure, wait 3 to 5 minutes before restarting.

- The temperature range can be set as low as 43°F (6°C) or as high as 57°F (14°C) to suit your specific storage requirements. Each depression of the UP(▲) or DOWN (▼) button will allow you to adjust the temperature in 1° degree increments within the aforementioned range.

Operating Instructions

Loading Instructions

IMPORTANT

- The maximum* capacity of the DWC357BLP is thirty-six (36) 750ml wine bottles.
- Store wine in sealed bottles only.

* When stocked as per instructions.

Top Six Racks (30 Bottles)

Each rack holds up to five (5) bottles when stocked as per Fig. B.

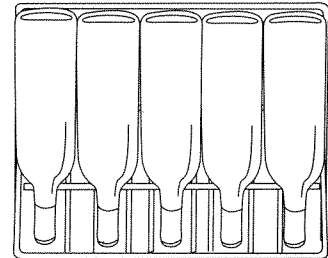


Fig. B

The Staggered Wine Rack (6 Bottles)

Load the bottom level of the rack with up to three (3) bottles, and then load the top level of the rack with up to another three (3) bottles (see Fig. C).

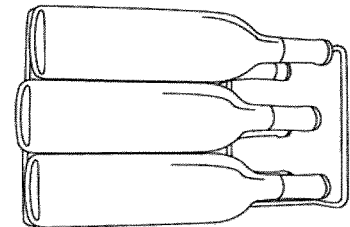


Fig. C

Rack Instructions

IMPORTANT!

Do not cover racks with aluminum foil or any other material that will prevent adequate air circulation within the cabinet.

To remove a rack from its locked position, lift the rack upwards and then slide the rack out from the cabinet, as shown in Fig. D.

To re-install, ensure the rack is resting securely on the support brackets and push the rack inward until it locks into place.

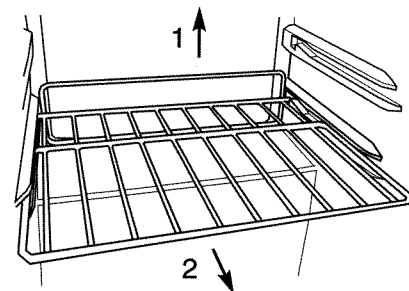


Fig. D

Note: The bottom wine rack is not secured in place (locked). Do not attempt to pull on the rack when it is stocked.

Door Reversal

TOOLS REQUIRED

Phillips #2 screwdriver and a flathead screwdriver.

WARNING!

Excessive Weight Hazard

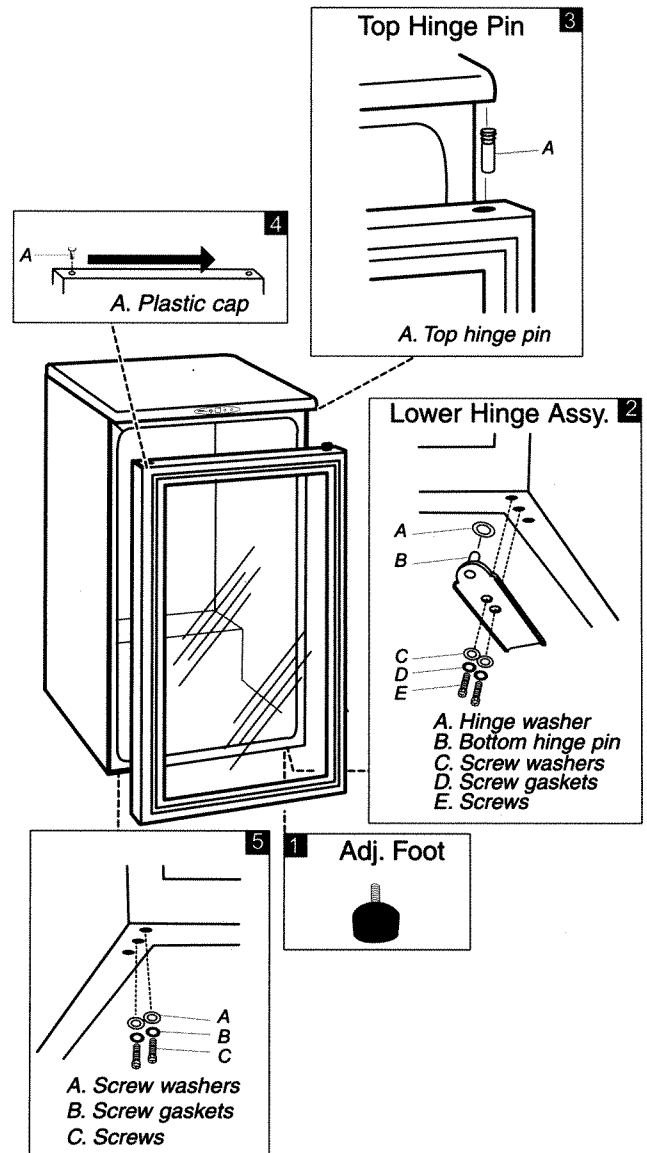
Use two or more people when moving the wine cooler.

Door Removal

1. Unplug the wine cooler, empty all of its contents and carefully lay the unit on its back.
2. Remove the adjustable foot located beside the lower hinge assembly on the bottom right side of the cabinet (see Fig. 1).
3. Unscrew the two retaining screws holding the lower hinge assembly to the bottom of the cabinet and set them aside (see Fig. 2).
4. Pull the door downward until it releases from the top hinge pin (see Fig. 3), and then set the door aside.

Door Reversal

5. Using a flathead screwdriver, transfer the top hinge pin from the right side of the worktop to the opposite (left) side of the worktop (see Fig. 3).
6. Transfer the plastic cap located on the top left side of the door to the opposite (right) side of the door (see Fig. 4).
7. Set the door onto the cabinet and push it upwards until the top hinge pin is fully inserted into the opening on the top left side of the door.
8. Remove the two retaining screws on the bottom left side of the cabinet, and transfer them to opposite (bottom right) side of the cabinet (see Fig. 5).
9. Insert the bottom hinge pin on the lower hinge assembly (see Fig. 2) into the opening on the bottom left side of the door, and then align the door and lower hinge assembly with the cabinet.
10. Screw the lower hinge assembly (see Fig. 2) to the bottom of the cabinet by aligning the holes in the lower hinge assembly with the holes in the bottom of the cabinet.
11. Reinstall the adjustable foot removed in step 1 (see Fig.1).
12. Ensure the door is squarely fitted to the cabinet and that all fastenings are secure. Stand the unit upright.



IMPORTANT!

Allow the unit to stand upright for at-least 1 hour before putting the unit into operation.

Care and Cleaning

WARNING!

Be certain the power is off before cleaning any part of this appliance.

Helpful Hints

Allow the door to remain open for a few minutes after manual cleaning to air out and dry the inside of the cabinet.

How to Clean the Inside

Walls, Floor, Inside Window, and Shelves

Water deposits and dust can be removed with a damp cloth.

IMPORTANT!

Never use any commercial or abrasive cleaners or sharp objects on any part of the wine cooler.

How to Clean the Outside

Outer Case

It's important to keep the area clean where the door seals against the cabinet. Clean this area with a sudsy cloth. Rinse and then dry.

Door Frame

Use only mild, non-abrasive detergents applied with a clean sponge or soft cloth. Rinse well.

Control Panel and Door Glass

Wipe with a damp cloth and dry thoroughly. Do not use cleaning sprays, large amounts of soap and water, abrasive or sharp objects on the panel, they can damage it. Some paper towels may also scratch the control panel and door glass.

IMPORTANT!

Do not use cleaners containing ammonia or alcohol.

Ammonia or alcohol can damage the appearance of the appliance.

Trouble Shooting

Before You Call For Service

| Problem | Possible Cause | What to do |
|--|--|---|
| No Power | A fuse in your home may be blown or the circuit breaker tripped. | Replace fuse or reset circuit breaker. |
| | Power surge. | Unplug the wine cooler, wait a few seconds and then plug it back in. |
| | Plug not fully inserted into wall outlet. | Make sure the 3-prong plug on the wine cooler is fully inserted into outlet. |
| Cabinet Temperature too High | Temperature setting. | Verify the temperature control setting. Adjust if necessary. |
| | Door not shut properly or opened excessively. | Ensure that the door is fully closed and that the gasket is sealing against the cabinet. Open the door only as needed and for short periods of time. |
| | Recently added a large quantity of warm bottles to the cabinet. | Limit the quantity of warm bottles being introduced to the cabinet at the same time. Attempt to phase in the load introduction if possible. |
| "Clicking" Noise | Normal sound. | No user intervention is required as this sound is normal during the operation of the appliance. This audible 'clicking' noise may be heard as the wine cooler ends or begins a cooling cycle. |
| Condensation on the cabinet and/or door | High humidity conditions in the home. | The condensation will subside once humidity conditions return to normal. |
| | Door not shut properly or opened excessively. | Ensure that the door is fully closed and that the gasket is sealing against the cabinet. Open the door only as needed and for short periods of time. |

If none of the above rectifies the situation, please contact our customer care department at **1-800-26-Danby® (1-800-263-2629)**

Danby[®] *Designer*

Model • Modèle • Modelo
DWC357BLP

For service, contact your nearest service depot or call:

1-800-26-Danby
(1-800-263-2629)

to recommend a depot in your area.

Pour obtenir de l'assistance, communiquez avec votre centre de service le plus rapproché ou composez le :

1-800-26-Danby
(1-800-263-2629)

pour localiser le dépositaire de votre région

Para reparaciones, llame a su centro de reparaciones más cercano o al:

1-800-26-Danby
(1-800-263-2629)

para recomendarle un centro de reparaciones en su área.

Free-Standing Wine Cooler

The model number of your wine cooler is found on the serial plate located on the back of the unit.

All repair parts available for purchase or special order when you visit your nearest service depot. To request service and/or the location of the service depot nearest you, call the toll free number listed to the left in Canada and the U.S.

When requesting service or ordering parts, always provide the following information:

- Product type
- Model number
- Part description

Refroidisseur de Vin pour application autonome

Le numéro de modèle se trouve sur la plaque signalétique au dos de l'unité.

Vous pouvez vous procurer/commander toute pièce de rechange chez votre dépositaire le plus rapproché. Pour toute demande de service ou pour localiser le dépositaire/centre de service le plus rapproché, composez le numéro SANS FRAIS.

Pour toute demande de service ou commande de pièces, fournissez toujours l'information suivante :

- Type de produit
- Numéro de modèle
- Description de la pièce requise

Heladera para Vinos Autónomo

El número de modelo se encuentra en la placa ubicada en el panel posterior de la unidad.

Todas las partes de recambio pueden comprarse o encargarse especialmente en su taller de reparación autorizado. Para solicitar servicio y/o localizar el taller de servicio mas cercano, llame a nuestro NÚMERO SIN CARGO.

Proporcione siempre la siguiente información al solicitar servicio o al ordenar partes:

- Tipo de Producto
- Número de Modelo
- Descripción de la Parte

Danby Products Limited, Guelph, Ontario Canada N1H 6Z9
Danby Products Inc., Findlay, Ohio USA 45840