

# Warmer Drawer

**E30WD75GSS** designer series



### Smooth-Glide® Warmer Drawer

With a ball bearing system, drawer smoothly extends with the touch of a finger for effortless access.



### Custom-Set™ Temperature Controls

Set a temperature anywhere between 80 to 210 degrees to keep your favorite foods at the ideal serving temperature.



### Humidity Control

Allows you to adjust humidity levels to ensure that your food stays warm and fresh, without drying out, even after reheating.



### Custom-Fit™ Rack

Drawer features a convenient second-tier rack for smaller dishes, providing flexibility to accommodate multiple items.

## 30" WARMER DRAWER

Capacity	1.6 Cu. Ft.
----------	-------------

### FEATURES

Custom-Set™ Temperature Controls	Yes
Blue LED Display	Yes
Automatic Shutoff – 4 Hour	Yes
Humidity Control	Yes
Heating Element (Watts)	450
Smooth-Glide® Full-Extension Drawer	Yes
Stainless Steel Drawer Interior	Yes
Custom-Fit™ Rack	Yes
A.D.A. Compliant*	Yes

### ACCESSORIES

ServeWare – PN# 5304447729	Optional
----------------------------	----------

### SPECIFICATIONS

Drawer Interior Dimensions –	
Height	6-1/2"
Width	20-15/16"
Depth	19-1/4"
Overall Exterior Dimensions –	
Height	11-1/4"
Width	30"
Depth (to Front Drawer Corner) (Fully Extended Including Handle)	23-3/8" 44-1/8"
Temperature Range	80° F – 210° F
Power Supply Connection Location	Right Center Rear
Voltage Rating	120V/60Hz/15A
Connected Load (kW Rating) @ 120 Volts‡	0.45
Amps @ 120 Volts	3.75
Minimum Circuit Required (Amps)	15
60" Electrical Cable	Included
Approved for Under-Counter Installation	Yes
Shipping Weight (Approx.)	60 Lbs.

\*When properly installed, meets the appliance standards in the Americans with Disabilities Act and the Architectural Barriers Act Accessibility Guidelines as published by the United States Access Board on June 23, 2004, as amended August 5, 2005.

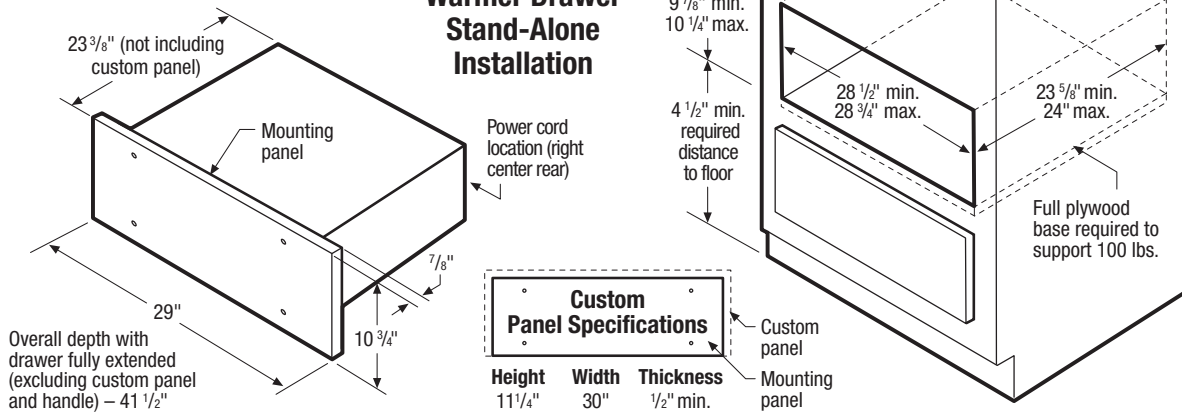
‡For use on adequately wired 120V, dedicated circuit having 2-wire service with a separate ground wire. Appliance must be grounded for safe operation.

NOTE: Always consult local and national electric codes. Refer to Product Installation Guide for detailed installation instructions on the web at [electroluxicon.com](http://electroluxicon.com).

Specifications subject to change.

**Note:** Refer to web for detailed custom panel construction and installation instructions.

## Panel-Ready Warmer Drawer Stand-Alone Installation



### 30" Panel-Ready Warmer Drawer Specifications

- Product Weight – 41 Lbs.
- Voltage Rating – 120V / 450W / 60 Hz / 15 Amps
- Connected Load (kW Rating) @ 120 Volts = 0.45kW (For use on adequately wired 120V, dedicated circuit having 2-wire service with a separate ground wire. Appliance must be grounded for safe operation.)
- Amps @ 120V = 3.75 Amps
- Full plywood base required, capable of supporting 100 Lbs.
- Base must be level and cabinet front must be square.
- Warmer Drawer can be used alone, or is approved to be used in combination with any Electrolux ICON® Wall Oven. (Refer to Combination Installation Specifications and drawing on this page.)

- Warmer Drawer is approved to be used in combination with any Electrolux ICON® High-Speed Oven/Built-In Microwave and/or Electric Single Wall Oven. (Refer to model-specific Combination Installation Specifications pages on web.)

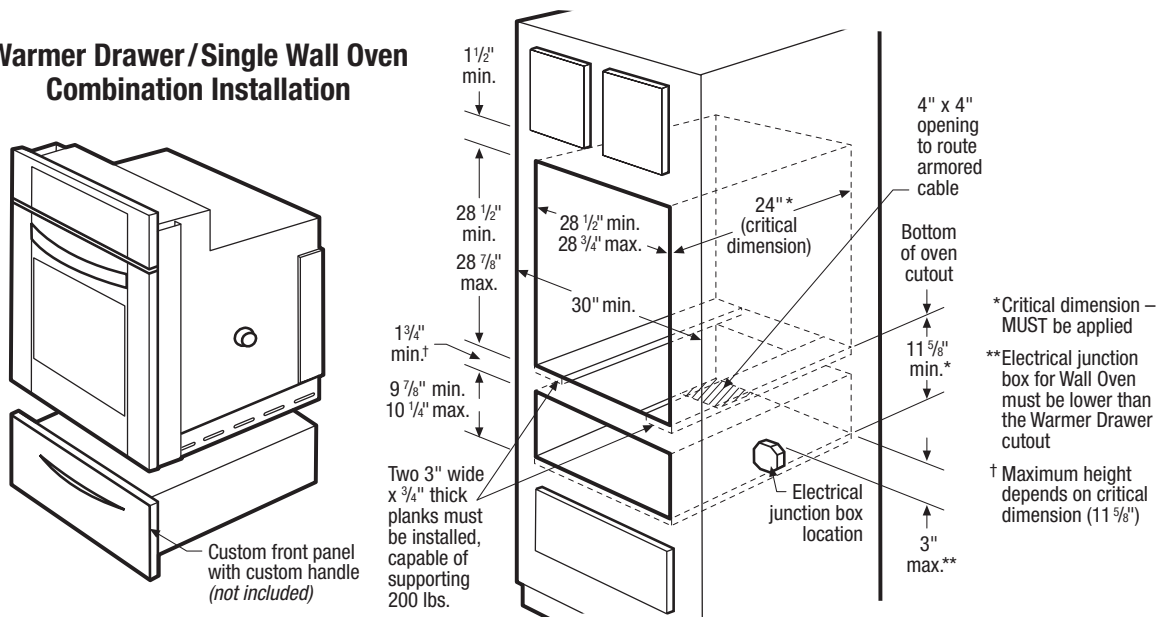
#### Custom Panel Specifications

- Handle not included, match to custom cabinetry.
- Panel Dimensions – 11-1/4"H x 30"W x 1/2" min.D
- Refer to web for detailed custom panel construction and installation instructions.

#### Optional Accessories

- ServeWare – (PN # 5304447729).

## Warmer Drawer/Single Wall Oven Combination Installation



### Warmer Drawer/Wall Oven Combination Specifications

- To support Wall Oven when using in combination with Warmer Drawer, two 3"-wide x 3/4" thick planks must be installed as a base, capable of supporting 200 Lbs. Do NOT use full base, since planks are necessary to allow for proper air displacement.

**Note:** For planning purposes only. Refer to Product Installation Guide on the web at [electroluxicon.com](http://electroluxicon.com) for detailed instructions.

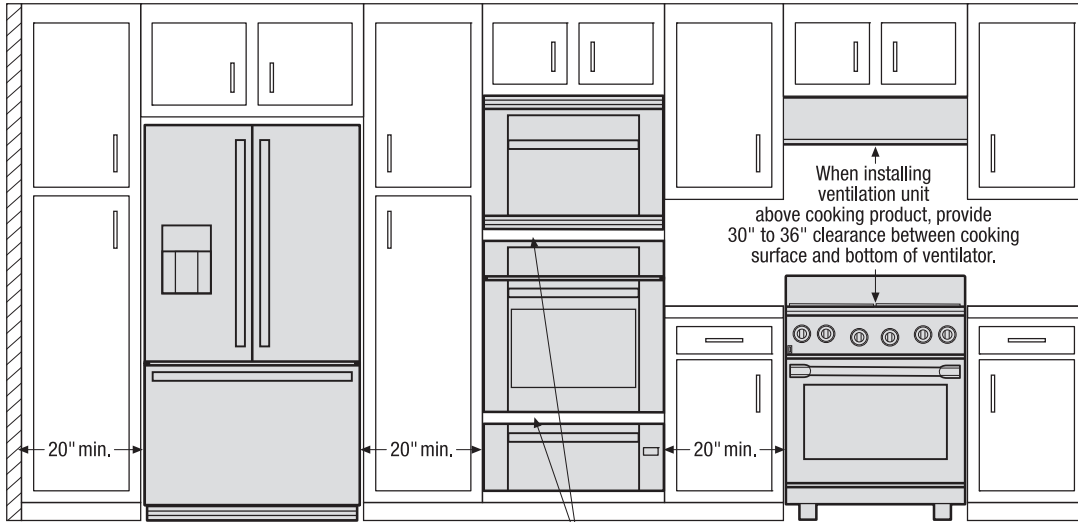
## Electrolux Major Appliances, N.A.

USA • 10200 David Taylor Drive • Charlotte, NC 28262 • 1-877-4electrolux (1-877-435-3287) • [electroluxicon.com](http://electroluxicon.com)  
 CANADA • 5855 Terry Fox Way • Mississauga, ON L5V 3E4 • 1-800-265-8352 • [electroluxicon.ca](http://electroluxicon.ca)



Use these dimensions and clearance instructions for planning purposes only. For detailed installation instructions, refer to installation guide, packed with product, or on the web at [electroluxicon.com](http://electroluxicon.com).

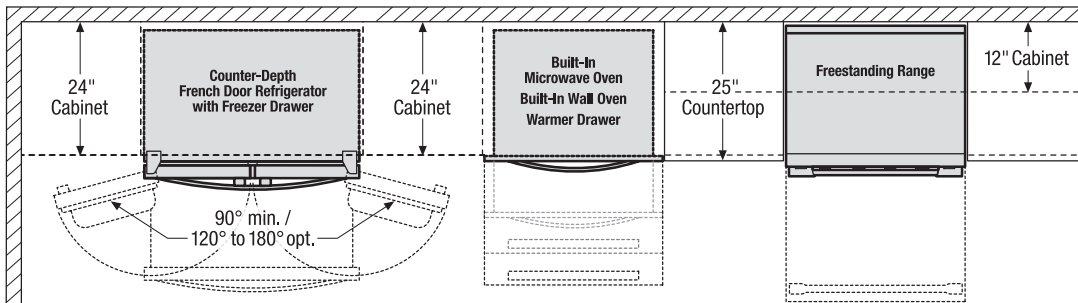
Front



When installing appliances adjacent to each other, 20" minimum distance between each appliance required.

When installing built-in cooking appliances in combination, 2" minimum visible gap between appliance faceplates required.

Top

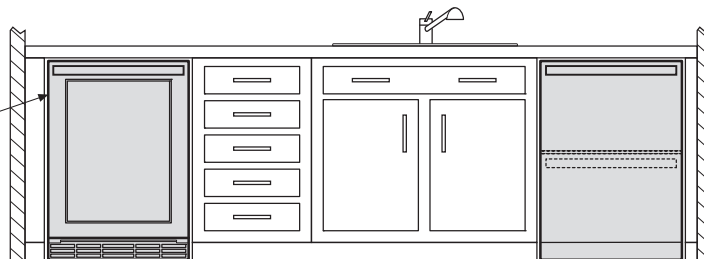


When installing refrigerator adjacent to wall, cabinet or another appliance that extends beyond front edge of unit, 20" minimum clearance recommended to allow for optimum 120° to 180° door swing, providing complete drawer/crisper access and removal.

When installing appliance with sliding drawer or drop-down door directly across from obstructions, provide sufficient clearance for drawer extension or door swing.

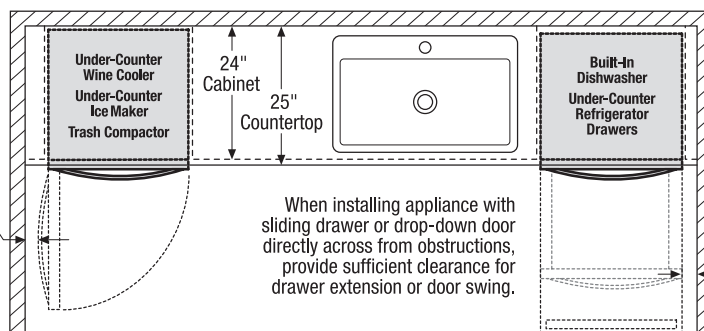
Front

To ensure optimum performance, avoid installing refrigeration appliances in direct sunlight or near heat source.



Top

When installing appliance with side-swing door adjacent to wall, cabinet, or other obstruction that extends beyond front edge of appliance, door swing and handle clearance must be sufficient to allow access to appliance interior.



When installing appliance with sliding drawer or drop-down door adjacent to wall, cabinet, or other obstruction that extends beyond front edge of appliance, allow 2" minimum clearance between drawer or door and obstruction.

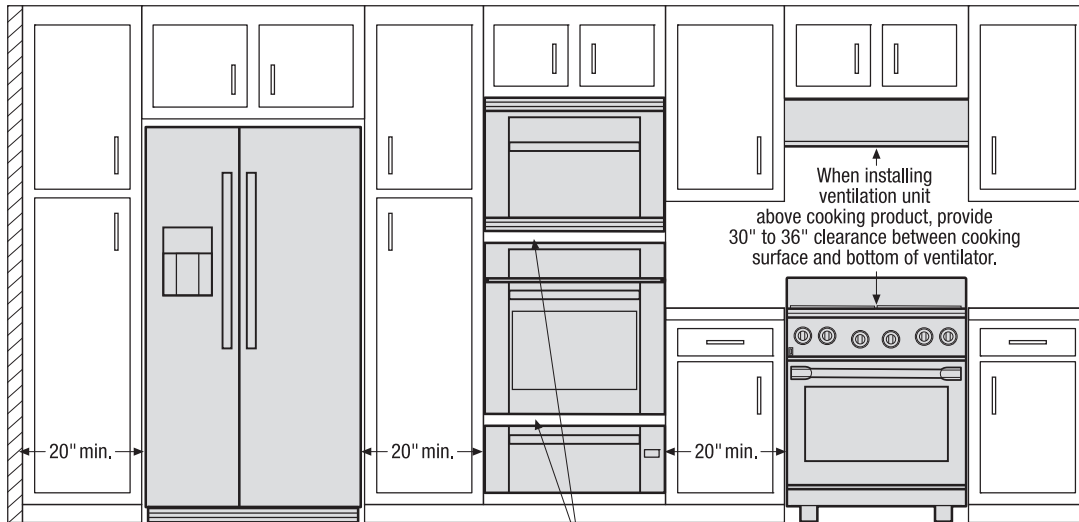
Electrolux Major Appliances, N.A.

USA • 10200 David Taylor Drive • Charlotte, NC 28262 • 1-877-4electrolux (1-877-435-3287) • [electroluxicon.com](http://electroluxicon.com)  
CANADA • 5855 Terry Fox Way • Mississauga, ON L5V 3E4 • 1-800-265-8352 • [electroluxicon.ca](http://electroluxicon.ca)

High standards of quality at Electrolux Home Products, Inc. mean we are constantly working to improve our products. We reserve the right to change specifications or discontinue models without notice.

Use these dimensions and clearance instructions for planning purposes only. For detailed installation instructions, refer to installation guide, packed with product, or on the web at [electroluxicon.com](http://electroluxicon.com).

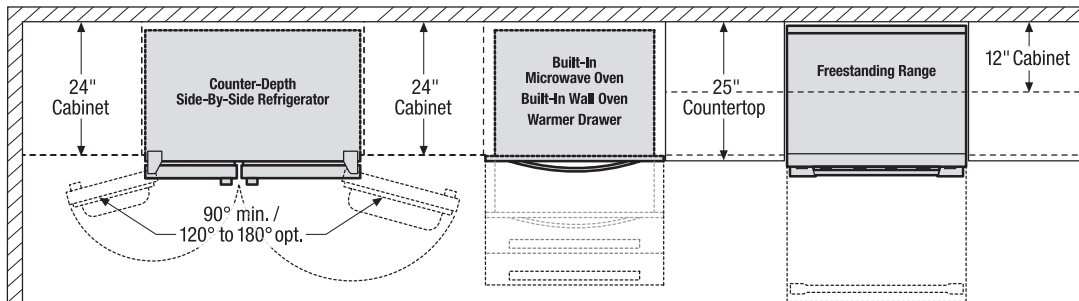
Front



When installing appliances adjacent to each other, 20" minimum distance between each appliance required.

When installing built-in cooking appliances in combination, 2" minimum visible gap between appliance faceplates required.

Top

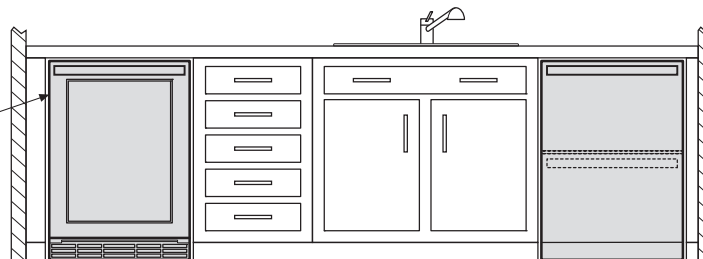


When installing refrigerator adjacent to wall, cabinet or another appliance that extends beyond front edge of unit, 20" minimum clearance recommended to allow for optimum 120° to 180° door swing, providing complete drawer/crisper access and removal.

When installing appliance with sliding drawer or drop-down door directly across from obstructions, provide sufficient clearance for drawer extension or door swing.

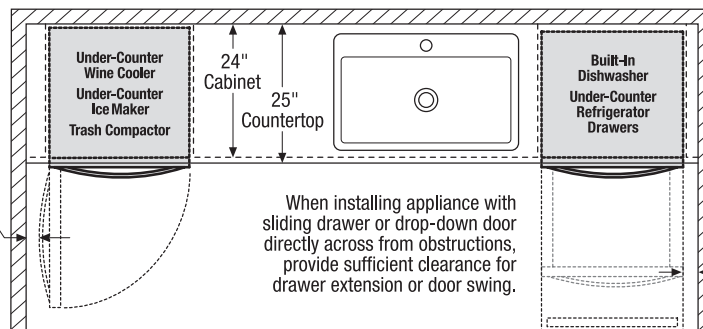
Front

To ensure optimum performance, avoid installing refrigeration appliances in direct sunlight or near heat source.



Top

When installing appliance with side-swing door adjacent to wall, cabinet, or other obstruction that extends beyond front edge of appliance, door swing and handle clearance must be sufficient to allow access to appliance interior.



When installing appliance with sliding drawer or drop-down door adjacent to wall, cabinet, or other obstruction that extends beyond front edge of appliance, allow 2" minimum clearance between drawer or door and obstruction.

## Electrolux Major Appliances, N.A.

USA • 10200 David Taylor Drive • Charlotte, NC 28262 • 1-877-4electrolux (1-877-435-3287) • [electroluxicon.com](http://electroluxicon.com)  
 CANADA • 5855 Terry Fox Way • Mississauga, ON L5V 3E4 • 1-800-265-8352 • [electroluxicon.ca](http://electroluxicon.ca)

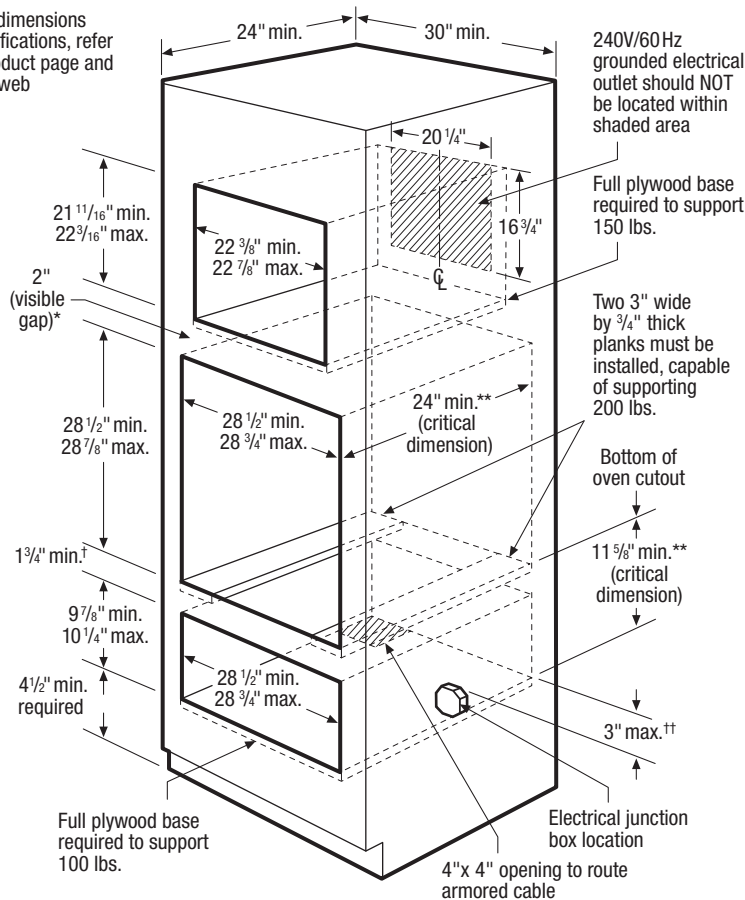
High standards of quality at Electrolux Home Products, Inc. mean we are constantly working to improve our products. We reserve the right to change specifications or discontinue models without notice.

# 30" Combination Installation – High-Speed Oven/Single Wall Oven/Warmer Drawer

For detailed product dimensions and installation specifications, refer to model-specific product page and installation guide on web

### 30" High-Speed Oven Cutout

For Models:  
E30S075FPS  
E30S075ESS



\* Minimum 2<sup>5</sup>/<sub>8</sub>" clearance required from bottom of Built-In High-Speed Oven cutout to top edge of Wall Oven's faceplate, leaving a 2" visible gap between both product faceplates

\*\* Critical dimension – MUST be applied

† Maximum height depends on critical dimension (11<sup>5</sup>/<sub>8</sub>"

†† Electrical junction box for Wall Oven must be lower than the Warmer Drawer cutout

### 30" Combination Installation Specifications

- Always consult local and national electric codes. (Refer to product-specific electrical specifications on this page.)
- Minimum 24" deep cutout dimension is critical for proper combination installation, to ensure that each built-in product's faceplate will fit flush against cabinet front.
- Bases must be level and cabinet front must be square.
- Minimum 4-1/2" required distance from bottom of Warmer Drawer cutout to floor.
- Respect critical dimensions as noted for proper installation of built-in products.
- Minimum 23-1/4" clearance needed for Wall Oven door depth when open.

### 30" High-Speed Oven Specifications

- Product Weight – (E30S075FPS/E30S075ESS) 115 Lbs.
- Voltage Rating – 240V/60 Hz/15 or 20 Amps
- Single phase 3- or 4-wire cable, 240 Volt, 60 Hertz AC only electrical supply with ground required on separate circuit fused on both sides of line.
- Connected Load (kW Rating) @ 240 Volts = 3.3kW
- Amps @ 240 Volts = 13.2 Amps
- Full oven base of solid plywood or similar material required, capable of supporting 150 Lbs.
- Minimum 2-5/8" clearance required from bottom of High-Speed Oven cutout to top edge of Wall Oven's faceplate, leaving a 2" visible gap between both product faceplates.

### 30" Electric Single Wall Oven Specifications

- Product Weights – (E30EW75GPS) 178 Lbs. / (E30EW75GSS) 175 Lbs.
- Single phase 3- or 4-wire cable, 120/240 or 120/208 Volt, 60 Hertz AC only electrical supply with ground required on separate circuit fused on both sides of line.
- Connected Load (kW Rating) @ 240/208 Volts = 4.0/3.0kW
- Amps @ 240/208 Volts = 16.6/14.4 Amps
- To support Wall Oven, two 3"-wide x 3/4"-thick planks must be installed as a base, capable of supporting 200 Lbs. Do NOT use full base, since planks are necessary to allow for proper air displacement.

### 30" Warmer Drawer Specifications

- Product Weights – (E30WD75GPS/E30WD75GSS) 49 Lbs. / (E30WD75GTT) 41 Lbs.
- Voltage Rating – 120V/450W/60Hz/15 Amps
- Connected Load (kW Rating) @ 120 Volts = 0.45kW (For use on adequately wired 120V, dedicated circuit having 2-wire service with a separate ground wire. Appliance must be grounded for safe operation.)
- Amps @ 120V = 3.75 Amps
- Full base of solid plywood or similar material required, capable of supporting 100 Lbs.

**Note: For planning purposes only. Refer to Product Installation Guide on the web at [electroluxicon.com](http://electroluxicon.com) for detailed instructions.**

## Electrolux Major Appliances, N.A.

USA • 10200 David Taylor Drive • Charlotte, NC 28262 • 1-877-4electrolux (1-877-435-3287) • [electroluxicon.com](http://electroluxicon.com)  
CANADA • 5855 Terry Fox Way • Mississauga, ON L5V 3E4 • 1-800-265-8352 • [electroluxicon.ca](http://electroluxicon.ca)

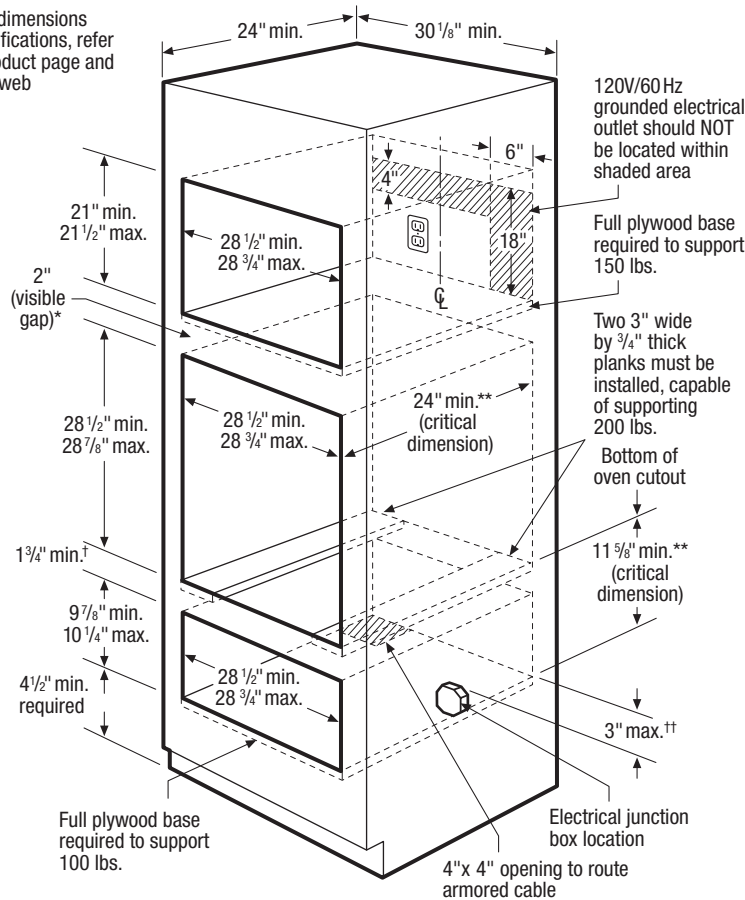
# 30" Combination Installation – Built-In Microwave/Single Wall Oven/Warmer Drawer

For detailed product dimensions and installation specifications, refer to model-specific product page and installation guide on web

**30" Built-In Microwave Cutout**  
For models:  
E30MO75HPS  
E30MO75HSS

**30" Electric Single Wall Oven Cutout**  
For models:  
E30EW75GPS  
E30EW75GSS

**30" Warmer Drawer Cutout**  
For models:  
E30WD75GPS  
E30WD75GSS  
E30WD75GTT



\* Minimum 2 1/8" clearance required from bottom of Built-In Microwave cutout to top edge of Wall Oven's faceplate, leaving a 2" visible gap between both product faceplates.

\*\* Critical dimension – MUST be applied

† Maximum height depends on critical dimension (11 5/8")

‡ Electrical junction box for Wall Oven must be lower than the Warmer Drawer cutout

## 30" Combination Installation Specifications

- Always consult local and national electric codes. (Refer to product-specific electrical specifications on this page.)
- Minimum 24" deep cutout dimension is critical for proper combination installation, to ensure that each built-in product's faceplate will fit flush against cabinet front.
- Bases must be level and cabinet front must be square.
- Minimum 4-1/2" required distance from bottom of Warmer Drawer cutout to floor.
- Respect critical dimensions as noted for proper installation of built-in products.
- Minimum 23-1/4" clearance needed for Wall Oven door depth when open.

## 30" Built-In Convection Microwave Specifications

- Product Weight – (E30MO75HPS/E30MO75HSS) 84 Lbs.
- Voltage Rating – 120V/60Hz/15 Amps
- Connected Load (kW Rating) @ 120 Volts = 1.6kW (For use on adequately wired 120V, dedicated circuit having 2-wire service with a separate ground wire. Appliance must be grounded for safe operation.)
- Amps @ 120 Volts = 13.7 Amps
- Full oven base of solid plywood or similar material required, capable of supporting 150 Lbs.
- Minimum 2-1/8" clearance required from bottom of Built-In Microwave cutout to top edge of Wall Oven's faceplate, leaving a 2" visible gap between both product faceplates.

## 30" Electric Single Wall Oven Specifications

- Product Weights – (E30EW75GPS) 178 Lbs. / (E30EW75GSS) 175 Lbs.
- Single phase 3- or 4-wire cable, 120/240 or 120/208 Volt, 60 Hertz AC only electrical supply with ground required on separate circuit fused on both sides of line.
- Connected Load (kW Rating) @ 240/208 Volts = 4.0/3.0kW
- Amps @ 240/208 Volts = 16.6/14.4 Amps
- To support Wall Oven, two 3"-wide x 3/4"-thick planks must be installed as a base, capable of supporting 200 Lbs. Do NOT use full base, since planks are necessary to allow for proper air displacement.

## 30" Warmer Drawer Specifications

- Product Weights – (E30WD75GPS/E30WD75GSS) 49 Lbs. / (E30WD75GTT) 41 Lbs.
- Voltage Rating – 120V/450W/60Hz/15 Amps
- Connected Load (kW Rating) @ 120 Volts = 0.45kW (For use on adequately wired 120V, dedicated circuit having 2-wire service with a separate ground wire. Appliance must be grounded for safe operation.)
- Amps @ 120V = 3.75 Amps
- Full base of solid plywood or similar material required, capable of supporting 100 Lbs.

**Note: For planning purposes only. Refer to Product Installation Guide on the web at [electroluxicon.com](http://electroluxicon.com) for detailed instructions.**

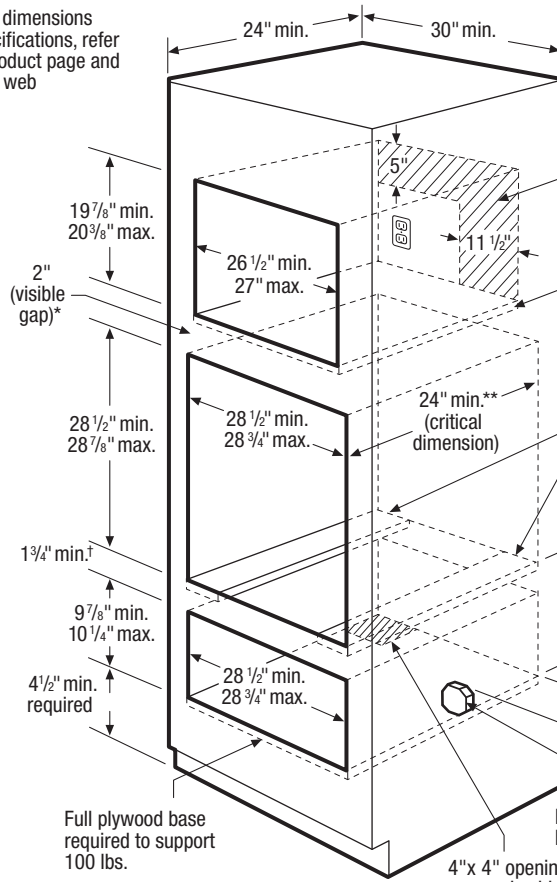
## Electrolux Major Appliances, N.A.

USA • 10200 David Taylor Drive • Charlotte, NC 28262 • 1-877-4electrolux (1-877-435-3287) • [electroluxicon.com](http://electroluxicon.com)  
CANADA • 5855 Terry Fox Way • Mississauga, ON L5V 3E4 • 1-800-265-8352 • [electroluxicon.ca](http://electroluxicon.ca)

# 30" Combination Installation – Built-In Microwave / Single Wall Oven / Warmer Drawer

For detailed product dimensions and installation specifications, refer to model-specific product page and installation guide on web

**30" Built-In Microwave Cutout**  
For model:  
E30M065GSS



120V/60Hz grounded electrical outlet should NOT be located within shaded area

Full plywood base required to support 100 lbs.

Two 3" wide by 3/4" thick planks must be installed, capable of supporting 200 lbs.

Bottom of oven cutout

11 5/8" min.\*\* (critical dimension)

3" max.††

19 7/8" min.  
20 3/8" max.  
2" (visible gap)\*

28 1/2" min.  
28 7/8" max.

1 3/4" min.†  
9 7/8" min.  
10 1/4" max.

4 1/2" min. required

Full plywood base required to support 100 lbs.

4"x 4" opening to route armored cable

\* Minimum 3 1/8" clearance required from bottom of Built-In Microwave cutout to top edge of Wall Oven's faceplate, leaving a 2" visible gap between both product faceplates

\*\* Critical dimension – MUST be applied

† Maximum height depends on critical dimension (11 5/8")

†† Electrical junction box for Wall Oven must be lower than the Warmer Drawer cutout

## 30" Combination Installation Specifications

- Always consult local and national electric codes. (Refer to product-specific electrical specifications on this page.)
- Minimum 24" deep cutout dimension is critical for proper combination installation, to ensure that each built-in product's faceplate will fit flush against cabinet front.
- Bases must be level and cabinet front must be square.
- Minimum 4-1/2" required distance from bottom of Warmer Drawer cutout to floor.
- Respect critical dimensions as noted for proper installation of built-in products.
- Minimum 23-1/4" clearance needed for Wall Oven door depth when open.

## 30" Built-In Convection Microwave Specifications

- Product Weight – 60 Lbs.
- Voltage Rating – 120V/ 60Hz/ 15 Amps
- Connected Load (kW Rating) @ 120 Volts = 1.55kW (For use on adequately wired 120V, dedicated circuit having 2-wire service with a separate ground wire. Appliance must be grounded for safe operation.)
- Amps @ 120 Volts = 13 Amps
- Consult local building code in the event that cutout opening may be required to be enclosed with sides, ceiling and rear partition.
- Full oven base of solid plywood or similar material required, capable of supporting 100 Lbs.
- Minimum 3-1/8" clearance required from bottom of Built-In Microwave cutout to top edge of Wall Oven's faceplate, leaving a 2" visible gap between both product faceplates.

## 30" Electric Single Wall Oven Specifications

- Product Weights – (E30EW75GPS) 178 Lbs. / (E30EW75GSS) 175 Lbs.
- Single phase 3- or 4-wire cable, 120/240 or 120/208 Volt, 60 Hertz AC only electrical supply with ground required on separate circuit fused on both sides of line.
- Connected Load (kW Rating) @ 240/208 Volts = 4.0/3.0kW
- Amps @ 240/208 Volts = 16.6/14.4 Amps
- To support Wall Oven, two 3"-wide x 3/4" thick planks must be installed as a base, capable of supporting 200 Lbs. Do NOT use full base, since planks are necessary to allow for proper air displacement.

## 30" Warmer Drawer Specifications

- Product Weights – (E30WD75GPS/E30WD75GSS) 49 Lbs. / (E30WD75GTT) 41 Lbs.
- Voltage Rating – 120V/450W/60Hz/15 Amps
- Connected Load (kW Rating) @ 120 Volts = 0.45kW (For use on adequately wired 120V, dedicated circuit having 2-wire service with a separate ground wire. Appliance must be grounded for safe operation.)
- Amps @ 120V = 3.75 Amps
- Full base of solid plywood or similar material required, capable of supporting 100 Lbs.

**Note: For planning purposes only. Refer to Product Installation Guide on the web at [electroluxicon.com](http://electroluxicon.com) for detailed instructions.**

## Electrolux Major Appliances, N.A.

USA • 10200 David Taylor Drive • Charlotte, NC 28262 • 1-877-4electrolux (1-877-435-3287) • [electroluxicon.com](http://electroluxicon.com)  
CANADA • 5855 Terry Fox Way • Mississauga, ON L5V 3E4 • 1-800-265-8352 • [electroluxicon.ca](http://electroluxicon.ca)

High standards of quality at Electrolux Home Products, Inc. mean we are constantly working to improve our products. We reserve the right to change specifications or discontinue models without notice.