

Wall-Mount Canopy Vent Hood

E30WV60EPS



Infinite-Speed Blower Control

The ultraquiet blower allows you to dial in the precise airflow needed.



Dual Halogen Lighting with Dimmer Control

Two overhead halogen bulbs evenly illuminate the cooking surface and provide abundant light to enhance the cooking experience.



Dishwasher Safe Filters

Saturated filters can be rinsed and cycled through the dishwasher. The stainless steel filter provides strength and durability not found in foam filters.



Wall-Mount Installation

This wall-mount hood provides power, illumination and 9 inches of height. The crowning touch for your cooktop.

9" WALL-MOUNT CANOPY VENT HOOD

FEATURES

Nominal Width	30"
Installation Type	Wall Mount
Air Discharge	Vertical Only
Air Delivery (CFM)	600
Blower Type	Centrifugal
Controls	Dial
Infinite-Speed Blower	Yes
Dual Halogen Lights	Yes
Dishwasher Safe Stainless Steel Filters	Yes
Exhaust Duct	External
Duct Required	8" Round

ACCESSORIES

18"-High Vent Duct Cover – PN# ACCVC18-30	Optional
12"-High Vent Duct Cover – PN# ACCVC12-30	Optional
6"-High Vent Duct Cover – PN# ACCVC06-30	Optional

SPECIFICATIONS

Overall Exterior Dimensions –	
Height	9"
Width	29-7/8"
Depth	24"
Power Supply Location	Right Rear Top
Voltage Rating	120V/60Hz/15 or 20A
Connected Load (kW Rating) @ 120 Volts [†]	1.4
Shipping Weight (Approx.)	54 Lbs.

[†] For use on adequately wired 120V, dedicated circuit having 2-wire service with a separate ground wire. Appliance must be grounded for safe operation.

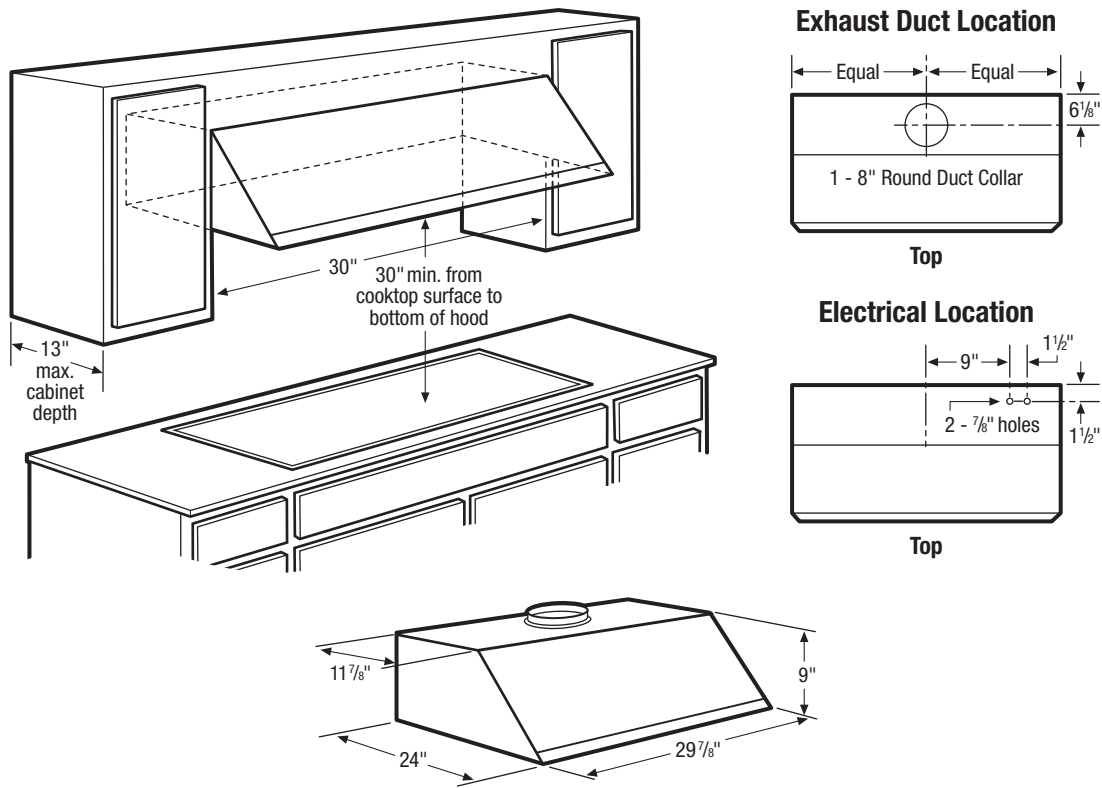
NOTE: Always consult local and/or national electric codes. Refer to Product Installation Guide for detailed installation instructions on the web at electroluxicon.com.

Specifications subject to change.

Wall-Mount Canopy Vent Hood

E30WV60EPS

Electrolux | ICON®



9" Wall-Mount 30" Canopy Vent Hood Specifications

- Product Weight – 51 Lbs.
- Wall-Mount Installation – can only be ducted vertically.
- Voltage Rating – 120V/ 60Hz/ 15 or 20 Amps
- Connected Load (kW Rating) @ 120 Volts = 1.4kW
(For use on adequately wired 120V, dedicated circuit having 2-wire service with a separate ground wire. Appliance must be grounded for safe operation.)
- Amps @ 120 Volts = 12 Amps
- Always consult local and/or national electric codes. Check local building codes for installation requirements, as they may vary per locale.
- Vent unit outside of building only.
- Vertical Exhaust Duct Required – 8" round
- For most efficient airflow exhaust, use a straight run or as few elbows as possible.
- Use metallic flex ducting only to connect rigid duct directly to transitions (if allowed by code).

- Thermal breaks such as short section of nonmetallic duct, should be used in areas of extreme cold.
- Cold weather installations should have additional backdraft damper installed.
- For most efficient operation, position hood low to cooktop. Recommended installation is 30" -36" above countertop.

Note: For planning purposes only. Refer to Product Installation Guide on the web at electroluxicon.com for detailed instructions.

Optional Accessories

- 18"-High Vent Duct Cover – (PN# ACCVC18-30).
- 12"-High Vent Duct Cover – (PN# ACCVC12-30).
- 6"-High Vent Duct Cover – (PN# ACCVC06-30).

Electrolux Major Appliances, N.A.

USA • 250 Bobby Jones Expressway • Augusta, GA 30907 • 1-877-4electrolux (1-877-435-3287) • electroluxicon.com
 CANADA • 5855 Terry Fox Way • Mississauga, ON L5V 3E4 • 1-800-265-8352 • electroluxicon.ca

E30WV60EPS 01/09

© 2009 Electrolux Home Products, Inc.



High standards of quality at Electrolux Home Products, Inc. mean we are constantly working to improve our products. We reserve the right to change specifications or discontinue models without notice.

Printed in the U.S.A.