

## Factory Parts Catalog

Product No.	E40PV100FS
Market	North America
Color	stainless steel
Exhaust-CFM	1000 CFM
Volts	120
Owner's Guide	5995465571
Installation Instructions	5995465571
Wiring Diagram	8877



Electrolux Major Appliances  
North & Latin America  
P.O. BOX 212378  
AUGUSTA, GA 30917

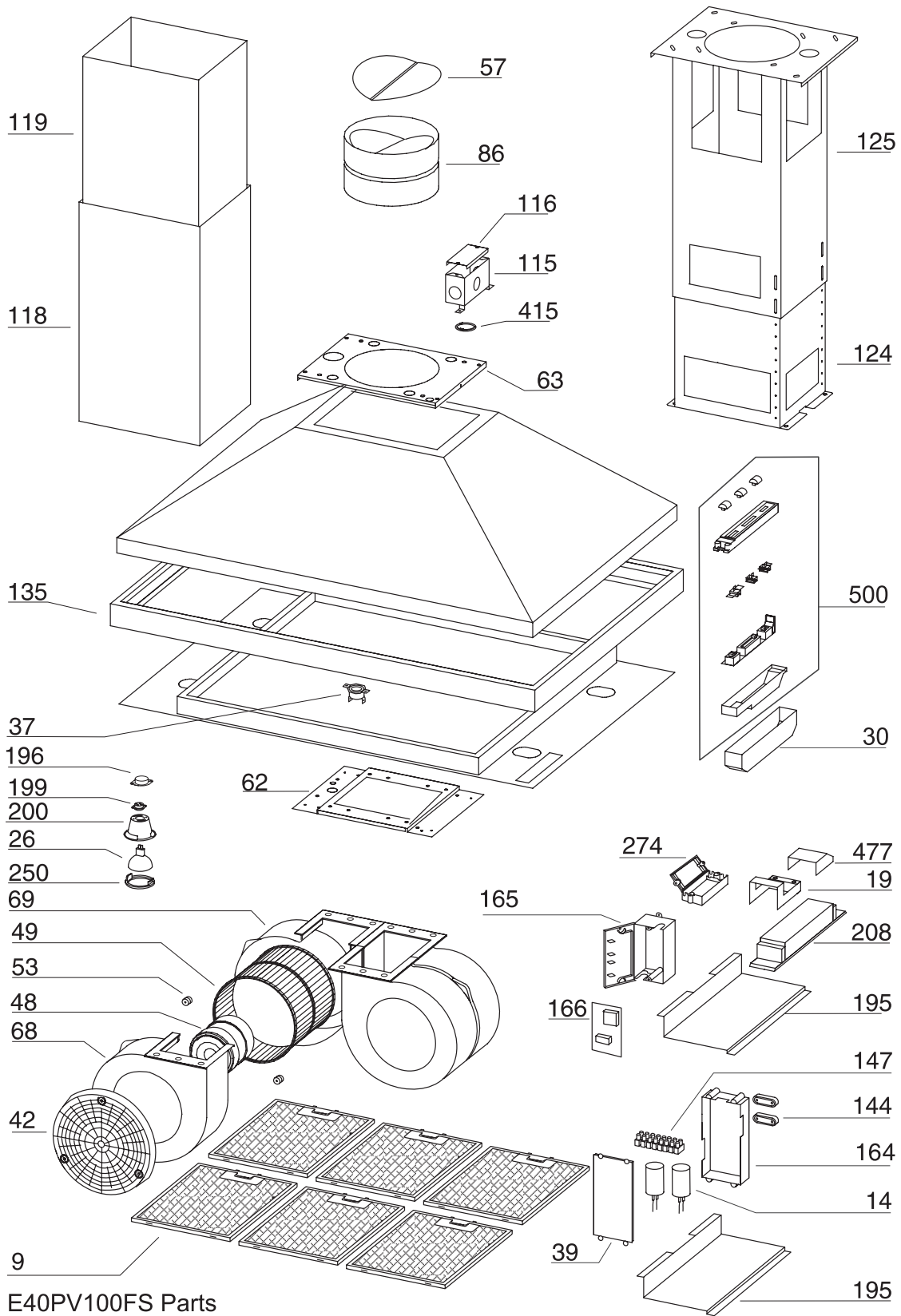
Publication No.  
**5995466082**  
06/05/11  
(EN/SERVICE/KC)  
099

### RANGE HOOD

Model No.  
E40PV100F

Copyright © 2006 Electrolux Home Products, Inc.  
All rights reserved.

REPLACEMENT PARTS



## REPLACEMENT PARTS

---

POS. NO	PART NO.	DESCRIPTION
9 #	5304455953	Filter, grease, aluminum
14 #	5304454900	Capacitor, motor
19	5304454950	Bracket, transformer, protector
26	5304455738	Lamp, halogen
30	5304455739	Cover, switch assembly
37 #	5304455740	Thermostat, Heat Sentry
39	5304454954	Cover, electrical box
42	5304455741	Grille, filter support
48 #	5304455954	Motor, blower
49 #	5304455031	Blower Wheel, fan
53	5304454958	Washer, motor mount, rubber
57 #	5304455955	Damper, flap
62	5304455956	Bracket, hood/blower, lower
63	5304455957	Bracket, hood, upper
68	5304455747	Housing, blower, right side
69	5304455748	Housing, blower, left side
86 #	5304455958	Discharge Collar, damper
115	5304455749	Wiring Box
116	5304455018	Cover, wiring box
118	5304455959	Chimney, duct cover, lower flue
119	5304455960	Chimney, duct cover, upper flue
124	5304455961	Frame, support, lower
125	5304455962	Frame, support, upper
135	5304455963	Trim, hood, bottom
144	5304454982	Clamp, wiring
147	5304455754	Clamp, wiring, junction
164	5304455947	Electrical Box, capacitor
165	5304454989	Electrical Box
166#	5304455948	Control Board, printed circuit
195	5304455964	Bracket, support
196	5304455965	Reflector, lamp
199	5304455756	Insulator, ceramic, lamp housing
200	5304455757	Housing, lamp receptacle
208#	5304455011	Transformer
250	5304455049	Ring Nut, lamp retainer
274	5304455009	Fuse box
415	5304455949	Bushing, wiring box
477	5304455950	Cover, terminal, transformer
500#	5304455968	Switch Assembly, controls
* #	5304455332	Fuse, 5 x 20 mm, 4 Amp, 125 V
*	5304455333	Fuse Holder
*	5304455966	Installation Kit, damper
*	5304455967	Installation Kit, mtg. hardware

### WIRING DIAGRAM

