

Electrolux

Factory Parts Catalog

Product No.	E30MH65GPSA	E30MH65GSSA
Market	North America	North America
Color	stainless steel	stainless steel
Volts	120	120
Watts	950	950
Wiring Diagram	5995509949	5995509949
Owner's Guide	316488517en	316488517en
Installation Instructions	316488518	316488518

Electrolux

Electrolux Major Appliances

P.O. BOX 8020
CHARLOTTE, NC 28262

This Catalog replaces 5995509949

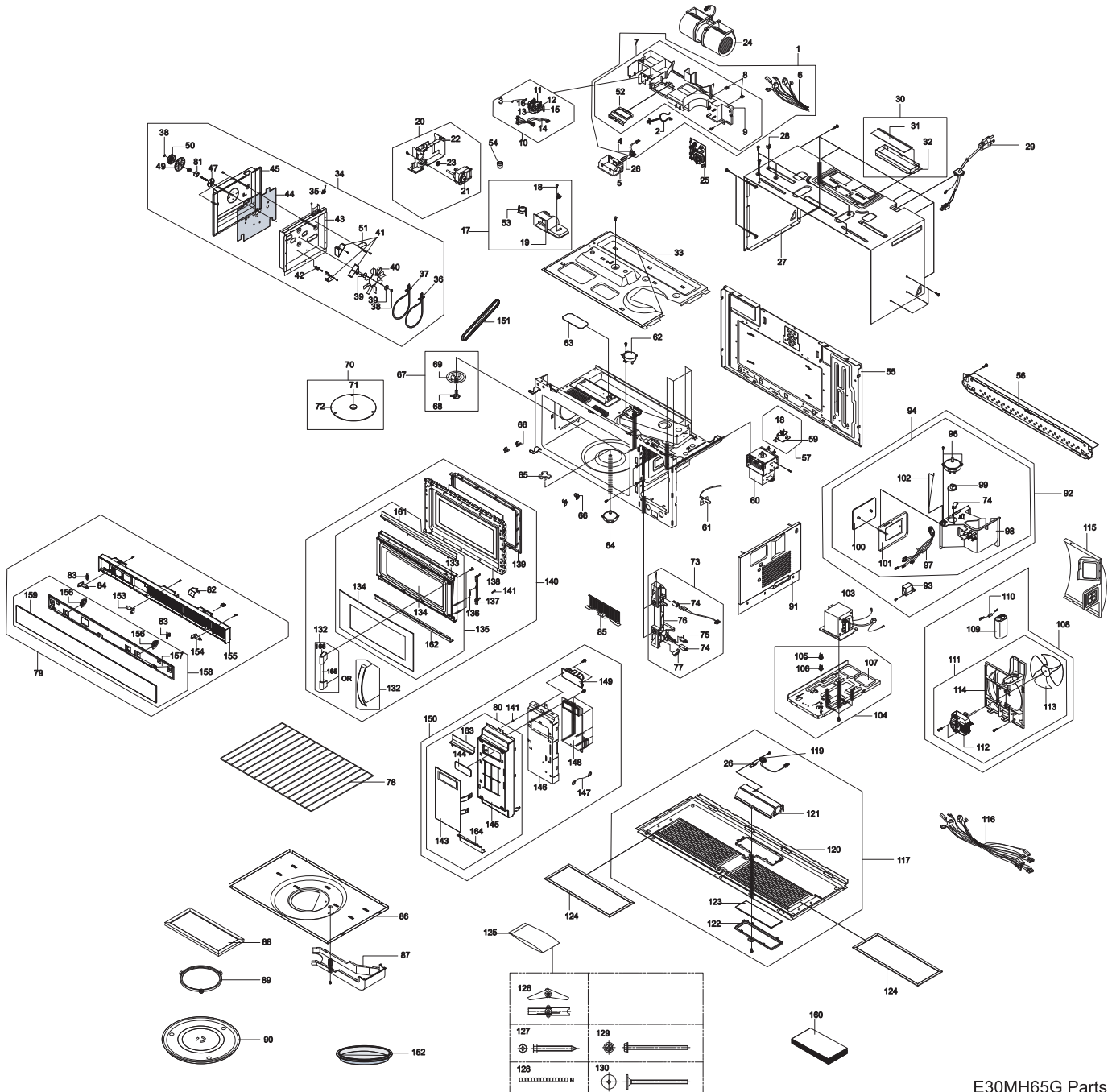
Publication No.
5995600938

11/09/27
(EN/SERVICE/KC)
099

OVER-RANGE MICROWAVE

Model No.
E30MH65GP /
E30MH65GS

RECOMMENDED SPARE PARTS



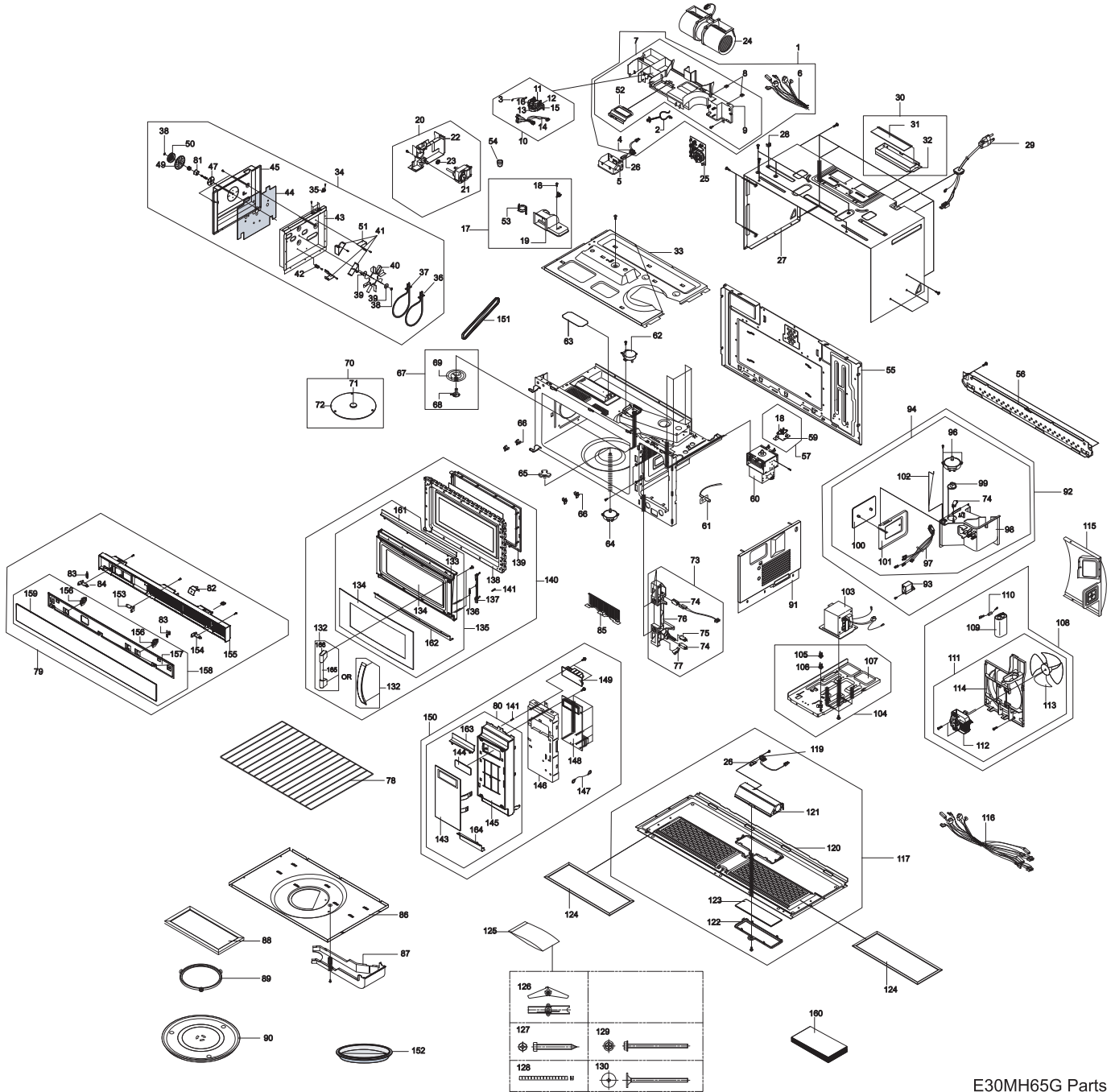
E30MH65G Parts

RECOMMENDED SPARE PARTS

Model Index: A E30MH65GP (E30MH65GPSA)
B E30MH65GS (E30MH65GSSA)

POS. NO	PART NO.		DESCRIPTION
1	5304457596	A B	Duct Assembly, air, upper
2	5304457597	A B	Clamp, cable
3 #	5304457598	A B	Wire, CBF lead
4 #	5304457599	A B	Holder, lamp socket
5	5304457790	A B	Bracket, lamp housing
6 #	5304456187	A B	Wiring Harness, sensor
7	5304457601	A B	Duct, air, upper, with bracket
8	5304457602	A B	Nut, mounting, duct
9	5304457603	A B	Duct, air, upper
10 #	5304457604	A B	Cam Assembly, louver
11 #	5304457605	A B	Switch, micro
12 #	5304457606	A B	Switch, micro
13 #	5304457607	A B	Motor, drive, louver cam
14 #	5304457608	A B	Wiring Harness, louver cam
15	5304457609	A B	Bracket, cam plate
16 #	5304457610	A B	Cam, louver
17 #	5304457611	A B	Duct Assembly, exhaust
18 #	5304456106	A B	Thermostat
19	5304457612	A B	Duct, exhaust
20 #	5304457613	A B	Air Guide Assy, heater, w/motor
21 #	5304457614	A B	Motor, convection fan
22	5304457791	A B	Guide, heater air, duct
23 #	5304457615	A B	Pulley, fan motor
24 #	5304457616	A B	Motor, ventilation
25 #	5304456082	A B	Filter, noise, electronic
26	5304457617	A B	Lamp, halogen
27	5304457618	A B	Cabinet, outer casing
28	5304456122	A B	Nut, holder assembly, (2)
29 #	5304456128	A B	Power Cord, electric
30	5304457619	A B	Damper Assembly, hood
31	5304457620	A B	Cover, damper
32	5304456126	A B	Damper, main
33	5304457621	A B	Cover, top panel, insulator
34 #	5304465226	A B	Fan Assembly, convection
35 #	5304457623	A B	Thermostat
36 #	5304457624	A B	Heater, convection, 900 Watt
37 #	5304457625	A B	Heater, convection, 700 Watt
38	5304457626	A B	Nut, hex flange
39	5304457627	A B	Washer
40 #	5304457628	A B	Fan Blade, convection
41	5304457629	A B	Bracket, air guide
42	5304457630	A B	Holder, heater
43	5304457792	A B	Bracket, fan housing
44	5304457631	A B	Insulator, fan housing
45	5304457632	A B	Cover, fan housing
47	5304465228	A B	Spacer, fan bearing
49	5304457635	A B	Holder, fan bearing
50 #	5304457636	A B	Pulley, fan
51	5304457637	A B	Bracket, air guide

RECOMMENDED SPARE PARTS



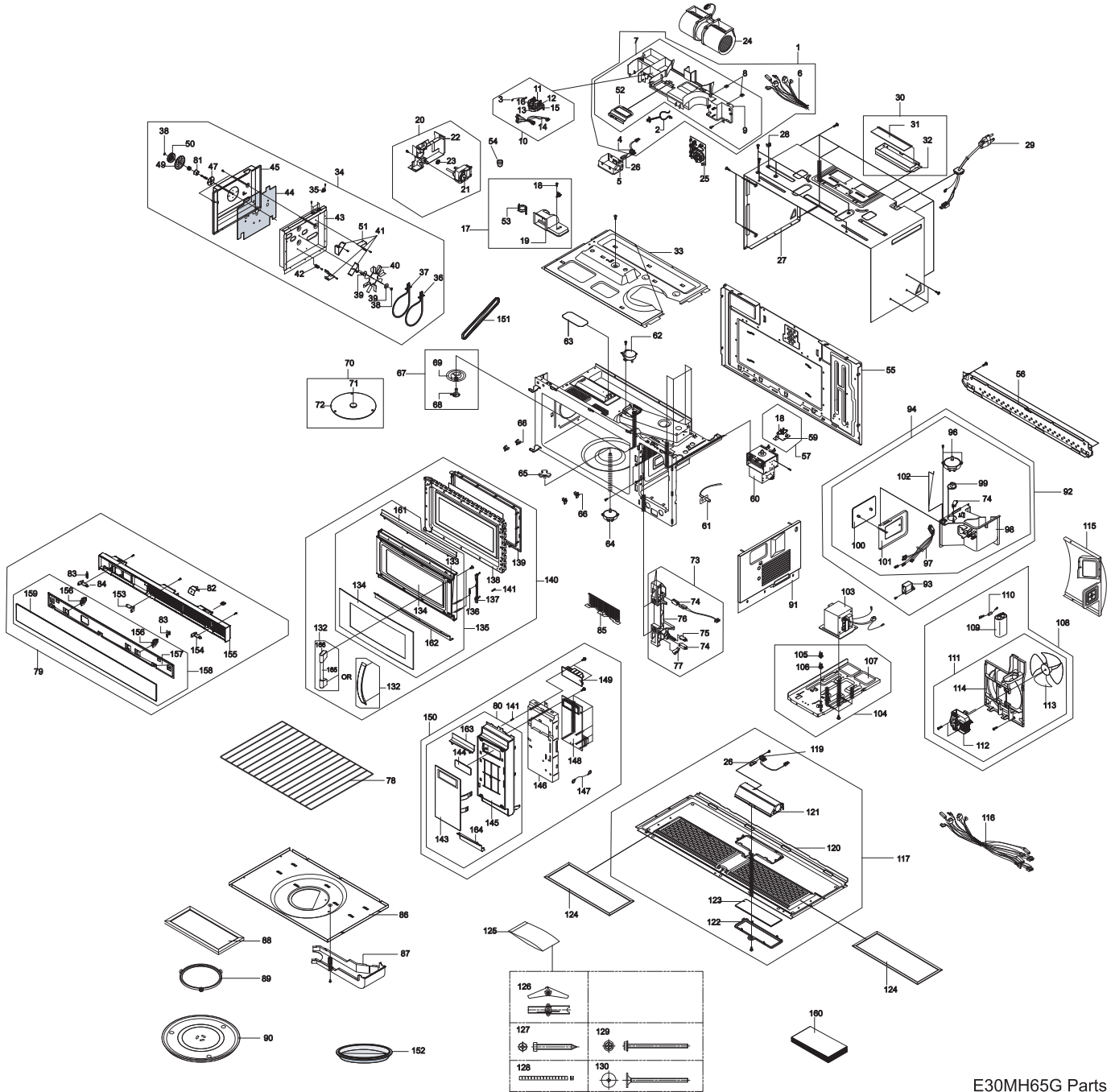
E30MH65G Parts

RECOMMENDED SPARE PARTS

Model Index: A E30MH65GP (E30MH65GPSPA)
B E30MH65GS (E30MH65GSSA)

POS. NO	PART NO.		DESCRIPTION
52	5304457638	A B	Bracket, upper duct
53	5304456186	A B	Holder, sensor
54 #	5304456185	A B	Sensor, gas
55	5304457640	A B	Panel, back
56	5304456129	A B	Plate, mounting
57 #	5304457641	A B	Thermostat Assembly
59	5304457793	A B	Bracket, mounting, thermostat
60 #	5304456105	A B	Magnetron Assembly
61 #	5304457642	A B	Sensor, thermistor
62 #	5304456184	A B	Motor, synchronous
63	5304457643	A B	Lens, lamp cover, glass
64 #	5304456175	A B	Motor, drive
65	5304457644	A B	Coupler, motor/turntable
66	5304457645	A B	Support, rack
67 #	5304457646	A B	Stirrer Assembly
68	5304456143	A B	Holder, stirrer
69 #	5304457647	A B	Fan Blade, stirrer
70	5304457648	A B	Cover Assembly, stirrer
71	5304457649	A B	Support, stirrer
72	5304457650	A B	Cover, stirrer
73 #	5304465053	A B	Latch Assembly
74 #	5304456100	A B	Switch, micro, (2)
75 #	5304456101	A B	Switch, micro
76	5304457652	A B	Latch Body
77	5304456099	A B	Lever, switch, lower
78	5304457653	A B	Rack, wire
79	5304465229	A B	Grille Assembly, front
80 #	5304465230	A B	Control Panel Assy, w/touch pad
81	5304465231	A B	Housing, fan bearing
82	5304457655	A B	Clip, ground, grille
83	5304465232	A B	Spring, louver
84	5304457657	A B	Hinge, grille, left
85	5304457658	A B	Cover, front
86	5304457659	A B	Cover, lower plate, insulator
87	5304457660	A B	Air Guide, bottom
88 #	5304456397	A B	Filter, air, charcoal
89	5304457661	A B	Guide, turntable, with rollers
90	5304456198	A B	Tray, turntable
91	5304457662	A B	Cover, right side, insulator
92 #	5304457663	A B	Air Guide Assy, w/capacitor
93 #	5304456068	A B	Capacitor, motor
94 #	5304457664	A B	Air Guide Assembly
96 #	5304457665	A B	Motor, synchronous
97 #	5304457666	A B	Wiring Harness, B
98	5304457667	A B	Air Guide
99 #	5304457668	A B	Cam, motor
100	5304457669	A B	Damper, gasket
101	5304457794	A B	Damper, door, swing
102	5304457795	A B	Rod, damper
103#	5304456193	A B	Transformer, high voltage
104#	5304457671	A B	Base Assembly, w/thermostats
105#	5304456112	A B	Thermostat, 40-70 C, LH lwr
106#	5304456139	A B	Thermostat, RH, lower
107	5304457672	A B	Plate, base
108#	5304457673	A B	Fan/Motor Assembly, complete
109#	5304456177	A B	Capacitor, air guide assy
110#	5304456178	A B	Diode, high voltage
111#	5304457674	A B	Fan Motor Assy, w/cover, blade
112#	5304457675	A B	Motor, fan
113#	5304456213	A B	Fan Blade

RECOMMENDED SPARE PARTS

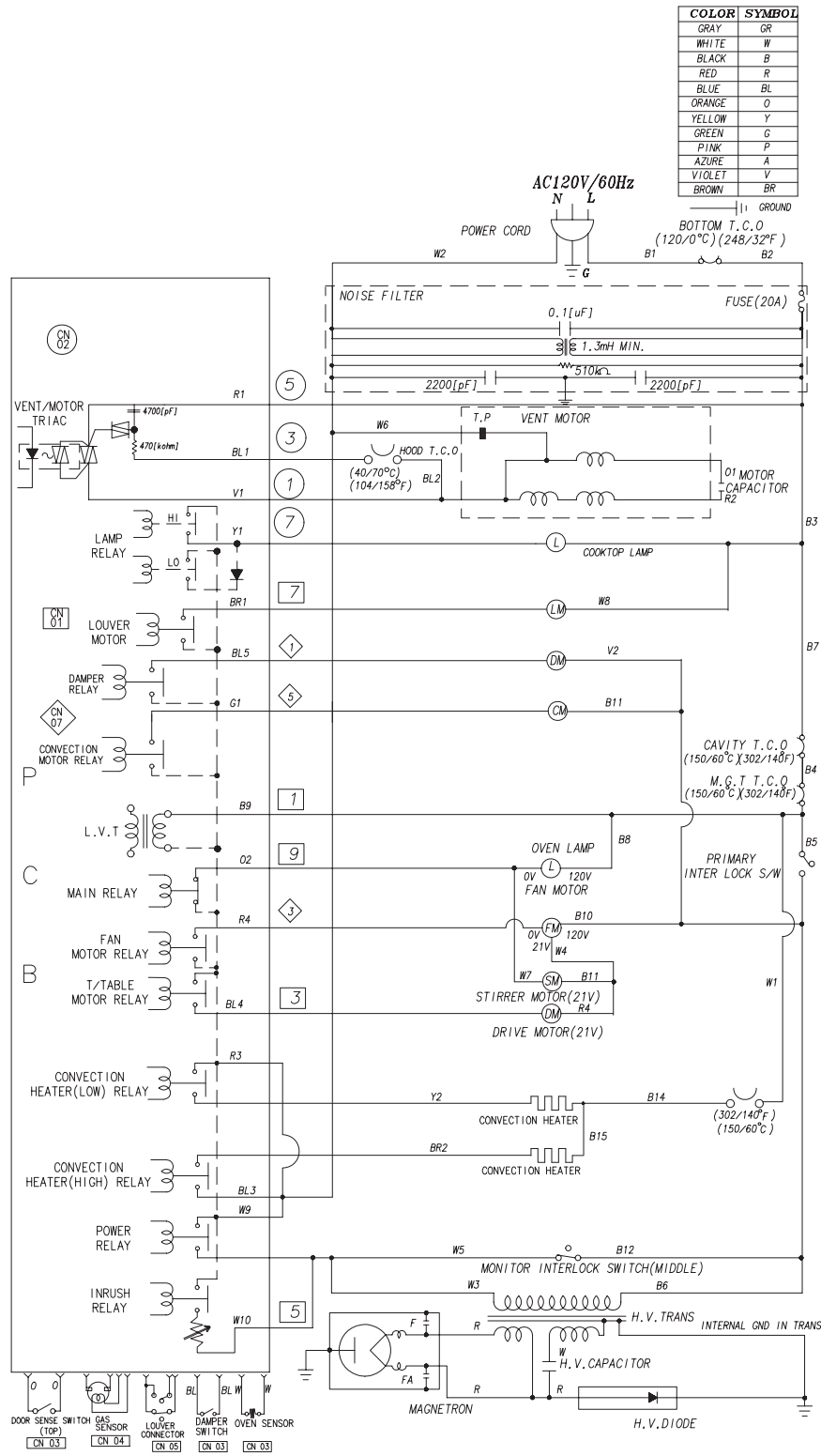


E30MH65G Parts

RECOMMENDED SPARE PARTS

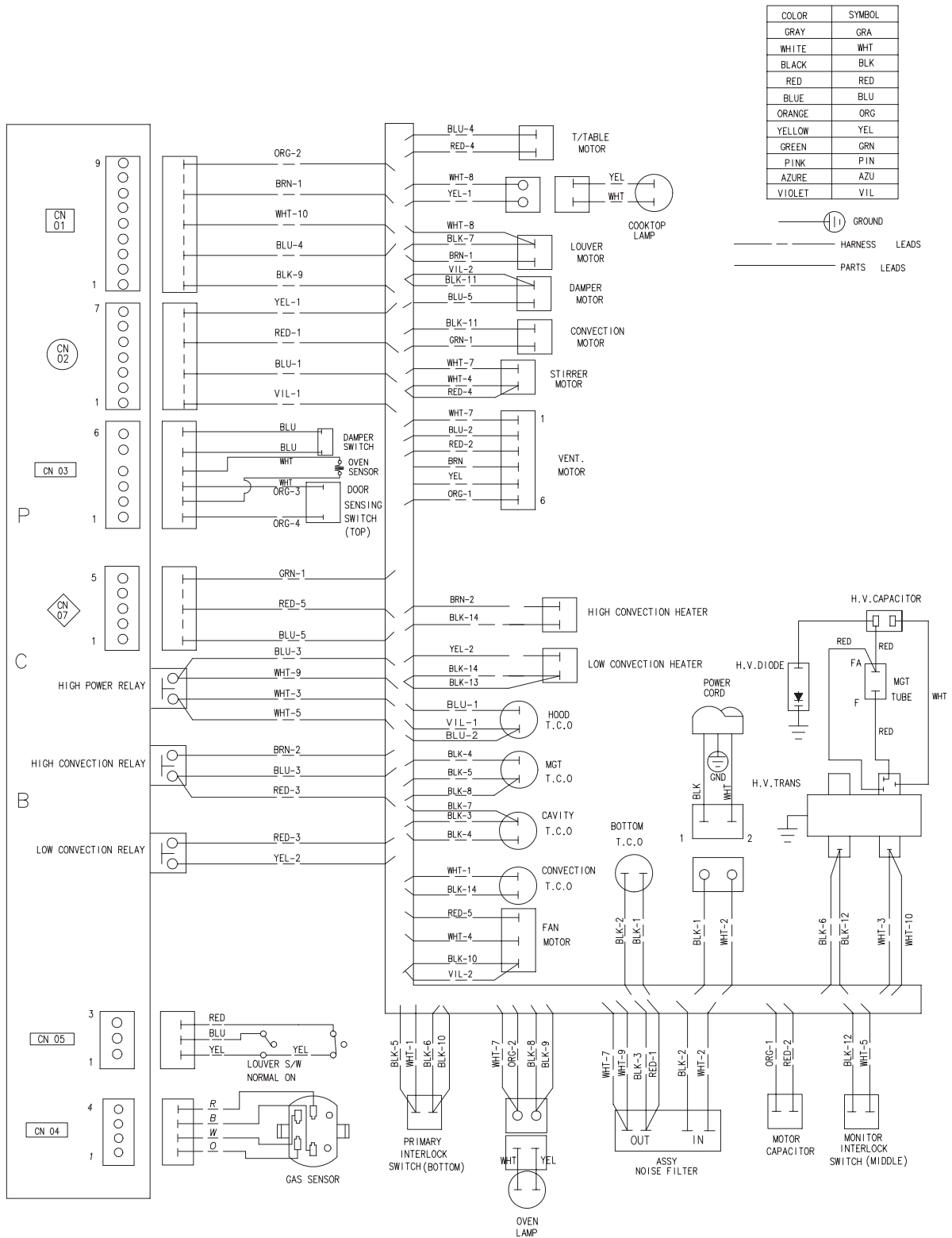
		<i>Model Index:</i>	
		A E30MH65GP (E30MH65GPSPA)	
		B E30MH65GS (E30MH65GSSA)	
POS. NO	PART NO.		DESCRIPTION
114	5304457676	A B	Cover, fan motor
115	5304465233	A B	Bracket, rear
116#	5304457678	A B	Wiring Harness, A
117#	5304457679	A B	Base Assembly, with lamp
119#	5304457680	A B	Holder, lamp socket
120	5304465234	A B	Base Plate, panel, bottom
121	5304457682	A B	Bracket, lamp housing, bottom
122	5304457683	A B	Frame, lens holder
123	5304457684	A B	Lens, cooktop lamp, glass
124#	5304465235	A B	Filter, air
125	5304457685	A B	Hardware, installation, kit
126	5304456134	A B	Nut, toggle, (3)
127	5304456135	A B	Screw, machine, inch
128	5304456137	A B	Grommet, nylon, (2)
129	5304456136	A B	Bolt, toggle, (3)
130	5304456138	A B	Bolt, flat head
132	5304485197	A -	Handle, door, Pro
132*	5304465834	A -	Badge, nameplate, Pro
132	5304465833	- B	Handle, door, Designer
133	5304465253	A B	Frame, outer door
134	5304465254	A B	Panel, door screen, glass
135	5304465255	A B	Panel Assy, outer door
136	5304456102	A B	Spring, latch
137	5304457690	A B	Latch, door
138	5304457691	A B	Panel, inner door
139	5304457692	A B	Frame, inner door, choke cover
140#	5304465256	A -	Door Assy, Pro, w/handle
140#	5304485194	- B	Door Assy, Designer, w/handle
141	5304465257	A B	Spring
143#	5304465258	A B	Touch Control, key pad, membrane
144	5304465259	A B	Window, control display
145	5304465260	A B	Frame, control panel
146	5304465261	A B	Bracket, control mount
147#	5304457698	A B	Wiring Harness, controls
148	5304457699	A B	Housing, control board
149#	5304457700	A B	Control Board, printed circuit
150#	5304465262	A B	Control Assembly, complete
151#	5304463494	A B	Belt, convection fan, rubber
152	5304457702	A B	Drip Pan, convection tray
153	5304457703	A B	Hinge, grille, middle
154	5304457704	A B	Hinge, grille, right
155	5304465263	A B	Grille, front
156	5304457706	A B	Bracket, barrier, spacer
157	5304465265	A B	Bracket, cover mount, grille
158	5304465266	A B	Cover Assembly, grille front
159	5304465267	A B	Panel, grille cover, front
160	5304465268	A B	Cook Book
161	5304465269	A B	Trim, door, upper
162	5304465270	A B	Trim, door, lower
163	5304465271	A B	Trim, control panel, upper
164	5304465272	A B	Trim, control panel, lower
165	5304465273	A -	Bar, handle tube
166	5304465274	A -	End Cap, handle

WIRING DIAGRAM



NOTE: Door is open.

WIRING DIAGRAM



NOTE: For Servicing replacement use 16GA, 105°C thermoplastic covered wire except for high voltage leads or as noted on special leads.