

# Built-In Microwave With Drop-Down Door

**E30MO75HSS** designer series



### Wave-Touch® Controls

Sleek control panel illuminates with just a touch and fades away after an option is selected.



### Automatic Cooking Settings

Pre-programmed settings give you the versatility to combine both microwave cooking and convection heat.



### Sensor-Cook Technology

Intelligent sensors automatically adjust cooking time and power level based on what you are cooking.



### Convection Cooking

Circulates hot air through your microwave to cook foods evenly.

### 30" BUILT-IN MICROWAVE WITH DROP-DOWN DOOR

|                            |             |
|----------------------------|-------------|
| Oven Cavity                | 1.5 Cu. Ft. |
| Watts                      | 900         |
| Oven Interior              | Cobalt Blue |
| Interior Krypton Light     | Yes         |
| Porcelain Enamel Turntable | Yes         |

### PANEL FEATURES

|   |     |
|---|-----|
| Wave-Touch® Controls  | Yes |
| VFD Front Display with Blue Indicators  | Yes |
| Electronic Clock & Timer  | Yes |
| Humidity Sensor   | Yes |
| Power Levels  | 11  |
| Touch Pad Controls  | 37  |
| Auto Start  | Yes |
| Auto Defrost Options  | 6   |
| Auto Cook Options –   |     |
| Pizza Slice (1), Snacks (3), Kid's Meals (3)<br>Softening/Melt (4), Beverage (1)                    | 12  |
| Convection Cook Categories –  |     |
| Auto Broil (4), Auto Roast (4), Auto Bake (4)   | 12  |
| Auto Reheat Categories –  |     |
| Breads/Muffins (2), Pasta (1)   | 3   |
| Sensor One Touch Categories –   |     |
| Cook (5), Reheat (1), Popcorn (2), Baked Potato (1),<br>Frozen Vegetables (1), Fresh Vegetables (2) | 12  |
| Stage Cooking Options   | 4   |
| Add 30 Seconds  | Yes |
| Keep Warm   | No  |
| Custom Help Options   | Yes |
| Panel Lock  | Yes |
| Demo Mode   | Yes |
| Adjustable Sound Level for Timers/Reminders   | Yes |
| More/Less Function  | Yes |
| Power Failure Indicator   | Yes |

### POWER RATINGS

|   |                 |
|---|-----------------|
| Microwave – (Watts@120 Volts)           | 1550            |
| Convection – (Watts@120 Volts)          | 1500            |
| Amps @ 120 Volts                        | 13.7            |
| Frequency (Mhz)                         | 2450            |
| Voltage Rating                          | 120V / 60Hz/15A |
| Connected Load (kW Rating) @ 120 Volts‡ | 1.6             |

### SPECIFICATIONS

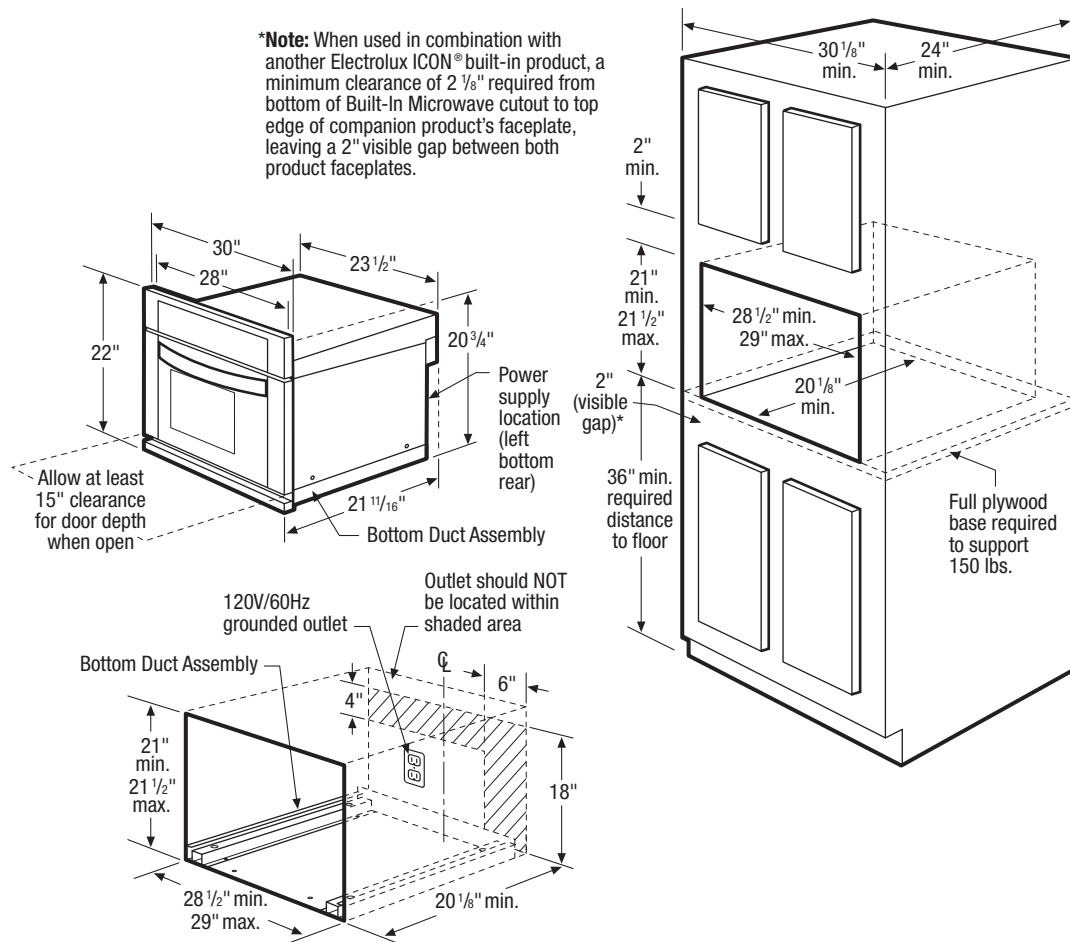
|   |                  |
|---|------------------|
| Oven Cavity Dimensions –                                    |                  |
| Height  | 9-5/8"           |
| Width   | 16-1/8"          |
| Depth   | 16-1/8"          |
| Overall Exterior Dimensions –                               |                  |
| Height  | 22"              |
| Width   | 30"              |
| Depth   | 21-11/16"        |
| Approved for Under-Counter Installation                     | No               |
| Approved for Electric Single Oven Combination Installation* | Yes              |
| Power Cord Location   | Left Bottom Rear |
| Shipping Weight (Approx.)                                   | 89 Lbs.          |

‡ For use on adequately wired 120V, dedicated circuit having 2-wire service with a separate ground wire. Appliance must be grounded for safe operation.

\* Approved to be used in combination with any Electrolux ICON® Electric Single Wall Oven and/or Warmer Drawer. (Not approved to be used above any gas wall oven.)

NOTE: Always consult local and national electric codes. Refer to Product Installation Guide for detailed installation instructions on the web at [electroluxicon.com](http://electroluxicon.com).

Specifications subject to change.



## 30" Built-In Microwave With Drop-Down Door Specifications

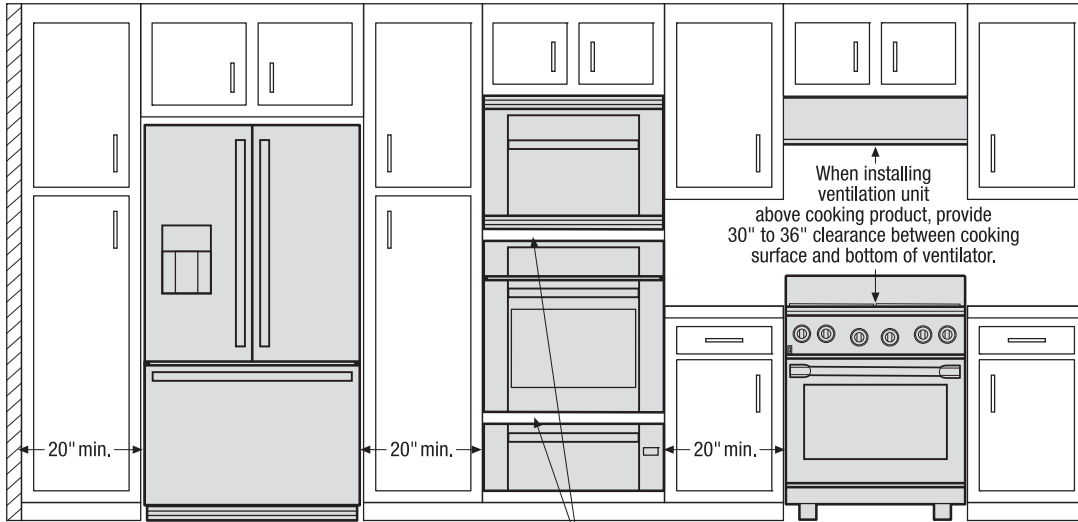
- Product Weight – 84 Lbs.
- Voltage Rating – 120V/60Hz/15 Amps
- Connected Load (kW Rating) @ 120 Volts = 1.6kW  
(For use on adequately wired 120V, dedicated circuit having 2-wire service with a separate ground wire. Appliance must be grounded for safe operation.)
- Amps @ 120 Volts = 13.7 Amps
- Always consult local and national electric codes.
- Allow at least 15" clearance for oven door depth when open.
- Minimum required distance from floor is 36".
- Minimum 20-1/8" deep oven cutout dimension is critical for proper installation for oven and faceplate to fit flush against cabinet front.
- Full oven base of solid plywood or similar material required, capable of supporting 150 Lbs.

- Base must be level and cabinet front must be square.
- Grounded outlet should NOT be located in shaded area, as indicated.
- Built-In Microwave is NOT approved to be used under counter.
- Built-In Microwave can be built in alone or is approved to be used in combination with any Electrolux ICON® Electric Single Wall Oven and/or Warmer Drawer. (Refer to model-specific Combination Installation Specification pages on web.)
- When used in combination with another Electrolux ICON® built-in product, a minimum clearance of 2-1/8" required from bottom of Built-In Microwave cutout to top edge of companion product's faceplate, leaving a 2" visible gap between both product faceplates.

**Note:** For planning purposes only. Refer to Product Installation Guide on the web at [electroluxicon.com](http://electroluxicon.com) for detailed instructions.

Use these dimensions and clearance instructions for planning purposes only. For detailed installation instructions, refer to installation guide, packed with product, or on the web at [electroluxicon.com](http://electroluxicon.com).

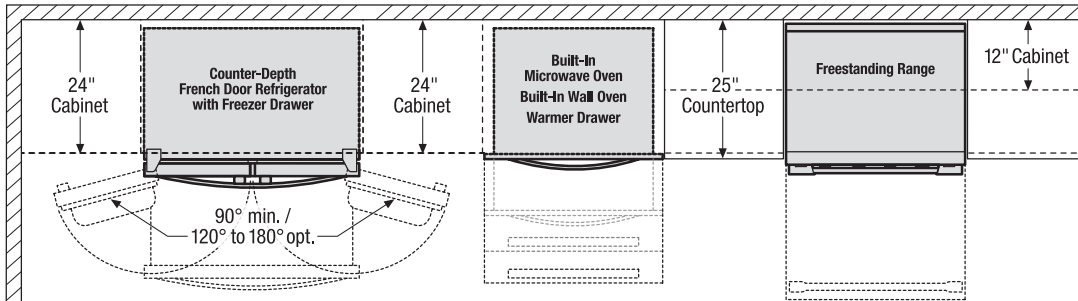
Front



When installing appliances adjacent to each other, 20" minimum distance between each appliance required.

When installing built-in cooking appliances in combination, 2" minimum visible gap between appliance faceplates required.

Top

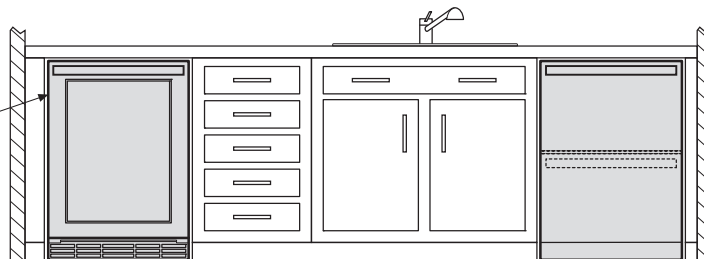


When installing refrigerator adjacent to wall, cabinet or another appliance that extends beyond front edge of unit, 20" minimum clearance recommended to allow for optimum 120° to 180° door swing, providing complete drawer/crisper access and removal.

When installing appliance with sliding drawer or drop-down door directly across from obstructions, provide sufficient clearance for drawer extension or door swing.

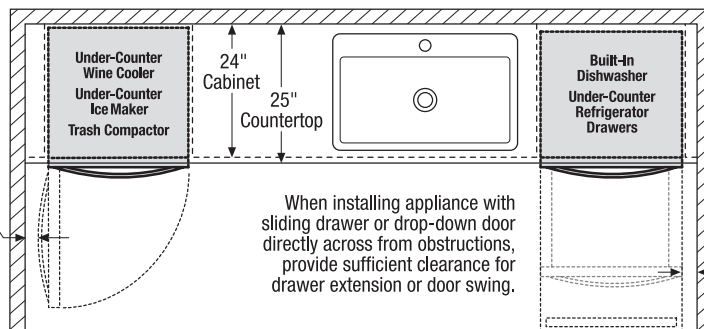
Front

To ensure optimum performance, avoid installing refrigeration appliances in direct sunlight or near heat source.



Top

When installing appliance with side-swing door adjacent to wall, cabinet, or other obstruction that extends beyond front edge of appliance, door swing and handle clearance must be sufficient to allow access to appliance interior.



When installing appliance with sliding drawer or drop-down door directly across from obstructions, provide sufficient clearance for drawer extension or door swing.

When installing appliance with sliding drawer or drop-down door adjacent to wall, cabinet, or other obstruction that extends beyond front edge of appliance, allow 2" minimum clearance between drawer or door and obstruction.

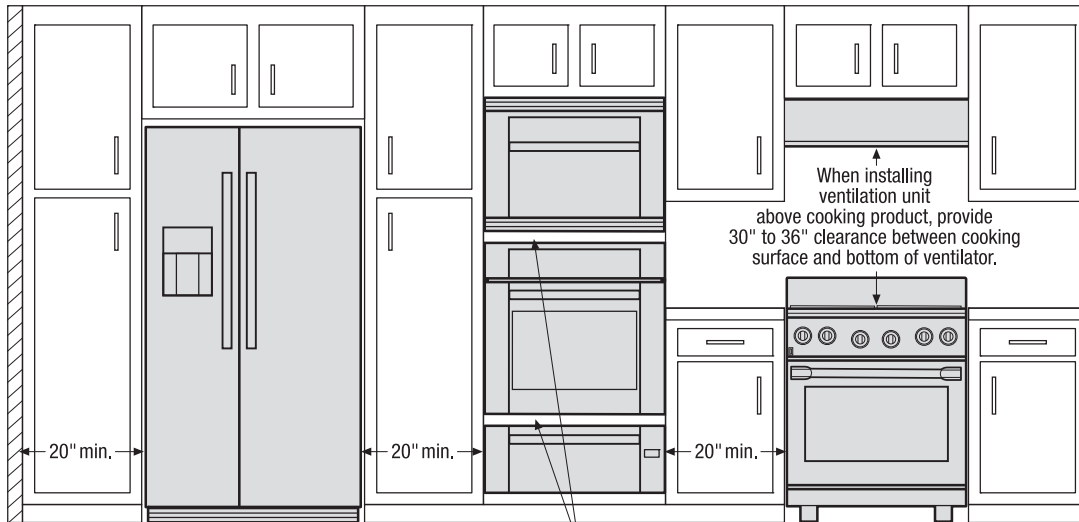
Electrolux Major Appliances, N.A.

USA • 10200 David Taylor Drive • Charlotte, NC 28262 • 1-877-4electrolux (1-877-435-3287) • [electroluxicon.com](http://electroluxicon.com)  
CANADA • 5855 Terry Fox Way • Mississauga, ON L5V 3E4 • 1-800-265-8352 • [electroluxicon.ca](http://electroluxicon.ca)

High standards of quality at Electrolux Home Products, Inc. mean we are constantly working to improve our products. We reserve the right to change specifications or discontinue models without notice.

Use these dimensions and clearance instructions for planning purposes only. For detailed installation instructions, refer to installation guide, packed with product, or on the web at [electroluxicon.com](http://electroluxicon.com).

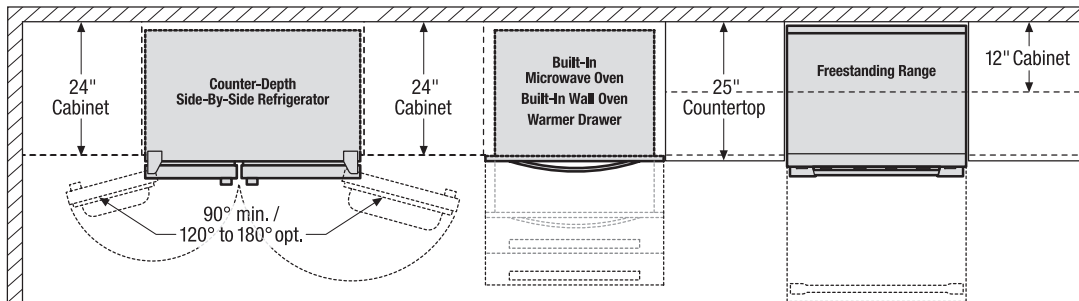
Front



When installing appliances adjacent to each other, 20" minimum distance between each appliance required.

When installing built-in cooking appliances in combination, 2" minimum visible gap between appliance faceplates required.

Top

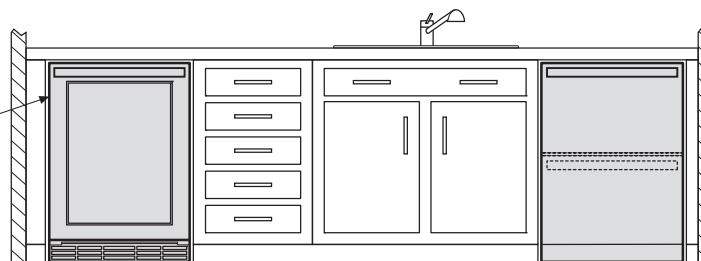


When installing refrigerator adjacent to wall, cabinet or another appliance that extends beyond front edge of unit, 20" minimum clearance recommended to allow for optimum 120° to 180° door swing, providing complete drawer/crisper access and removal.

When installing appliance with sliding drawer or drop-down door directly across from obstructions, provide sufficient clearance for drawer extension or door swing.

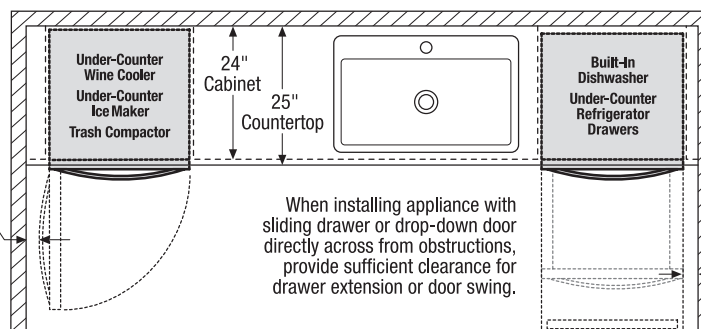
Front

To ensure optimum performance, avoid installing refrigeration appliances in direct sunlight or near heat source.



Top

When installing appliance with side-swing door adjacent to wall, cabinet, or other obstruction that extends beyond front edge of appliance, door swing and handle clearance must be sufficient to allow access to appliance interior.



When installing appliance with sliding drawer or drop-down door directly across from obstructions, provide sufficient clearance for drawer extension or door swing.

When installing appliance with sliding drawer or drop-down door adjacent to wall, cabinet, or other obstruction that extends beyond front edge of appliance, allow 2" minimum clearance between drawer or door and obstruction.

## Electrolux Major Appliances, N.A.

USA • 10200 David Taylor Drive • Charlotte, NC 28262 • 1-877-4electrolux (1-877-435-3287) • [electroluxicon.com](http://electroluxicon.com)  
 CANADA • 5855 Terry Fox Way • Mississauga, ON L5V 3E4 • 1-800-265-8352 • [electroluxicon.ca](http://electroluxicon.ca)

High standards of quality at Electrolux Home Products, Inc. mean we are constantly working to improve our products. We reserve the right to change specifications or discontinue models without notice.

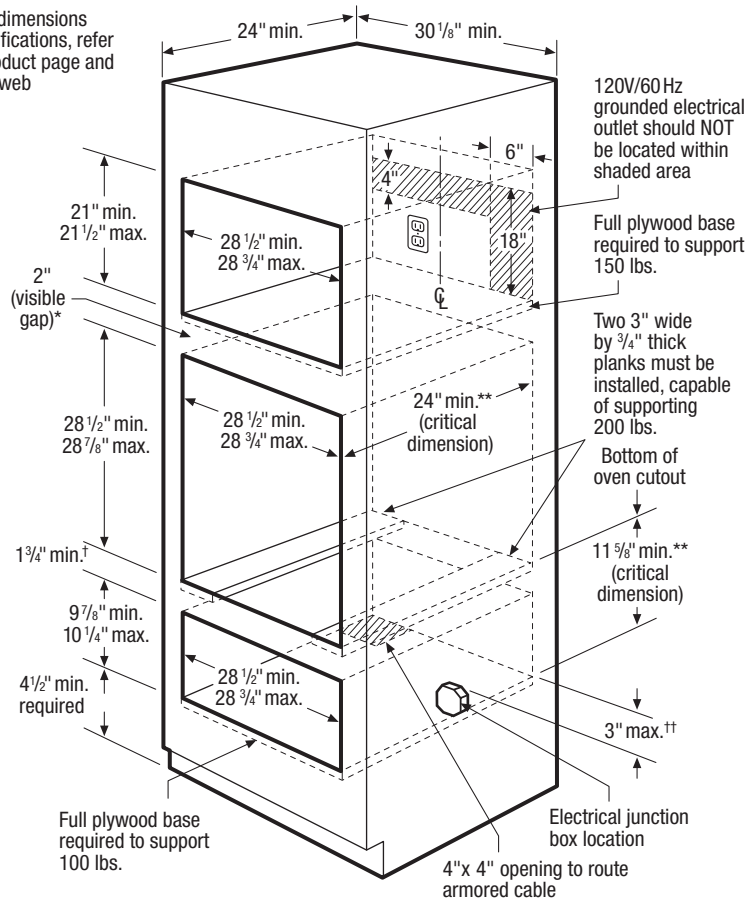
# 30" Combination Installation – Built-In Microwave/Single Wall Oven/Warmer Drawer

For detailed product dimensions and installation specifications, refer to model-specific product page and installation guide on web

**30" Built-In Microwave Cutout**  
For models:  
E30MO75HPS  
E30MO75HSS

**30" Electric Single Wall Oven Cutout**  
For models:  
E30EW75GPS  
E30EW75GSS

**30" Warmer Drawer Cutout**  
For models:  
E30WD75GPS  
E30WD75GSS  
E30WD75GTT



\* Minimum 2 1/8" clearance required from bottom of Built-In Microwave cutout to top edge of Wall Oven's faceplate, leaving a 2" visible gap between both product faceplates.

\*\* Critical dimension – MUST be applied

† Maximum height depends on critical dimension (11 5/8")

‡ Electrical junction box for Wall Oven must be lower than the Warmer Drawer cutout

## 30" Combination Installation Specifications

- Always consult local and national electric codes. (Refer to product-specific electrical specifications on this page.)
- Minimum 24" deep cutout dimension is critical for proper combination installation, to ensure that each built-in product's faceplate will fit flush against cabinet front.
- Bases must be level and cabinet front must be square.
- Minimum 4-1/2" required distance from bottom of Warmer Drawer cutout to floor.
- Respect critical dimensions as noted for proper installation of built-in products.
- Minimum 23-1/4" clearance needed for Wall Oven door depth when open.

## 30" Built-In Convection Microwave Specifications

- Product Weight – (E30MO75HPS/E30MO75HSS) 84 Lbs.
- Voltage Rating – 120V/60Hz/15 Amps
- Connected Load (kW Rating) @ 120 Volts = 1.6kW (For use on adequately wired 120V, dedicated circuit having 2-wire service with a separate ground wire. Appliance must be grounded for safe operation.)
- Amps @ 120 Volts = 13.7 Amps
- Full oven base of solid plywood or similar material required, capable of supporting 150 Lbs.
- Minimum 2-1/8" clearance required from bottom of Built-In Microwave cutout to top edge of Wall Oven's faceplate, leaving a 2" visible gap between both product faceplates.

## 30" Electric Single Wall Oven Specifications

- Product Weights – (E30EW75GPS) 178 Lbs. / (E30EW75GSS) 175 Lbs.
- Single phase 3- or 4-wire cable, 120/240 or 120/208 Volt, 60 Hertz AC only electrical supply with ground required on separate circuit fused on both sides of line.
- Connected Load (kW Rating) @ 240/208 Volts = 4.0/3.0kW
- Amps @ 240/208 Volts = 16.6/14.4 Amps
- To support Wall Oven, two 3"-wide x 3/4"-thick planks must be installed as a base, capable of supporting 200 Lbs. Do NOT use full base, since planks are necessary to allow for proper air displacement.

## 30" Warmer Drawer Specifications

- Product Weights – (E30WD75GPS/E30WD75GSS) 49 Lbs. / (E30WD75GTT) 41 Lbs.
- Voltage Rating – 120V/450W/60Hz/15 Amps
- Connected Load (kW Rating) @ 120 Volts = 0.45kW (For use on adequately wired 120V, dedicated circuit having 2-wire service with a separate ground wire. Appliance must be grounded for safe operation.)
- Amps @ 120V = 3.75 Amps
- Full base of solid plywood or similar material required, capable of supporting 100 Lbs.

**Note: For planning purposes only. Refer to Product Installation Guide on the web at [electroluxicon.com](http://electroluxicon.com) for detailed instructions.**

## Electrolux Major Appliances, N.A.

USA • 10200 David Taylor Drive • Charlotte, NC 28262 • 1-877-4electrolux (1-877-435-3287) • [electroluxicon.com](http://electroluxicon.com)  
CANADA • 5855 Terry Fox Way • Mississauga, ON L5V 3E4 • 1-800-265-8352 • [electroluxicon.ca](http://electroluxicon.ca)

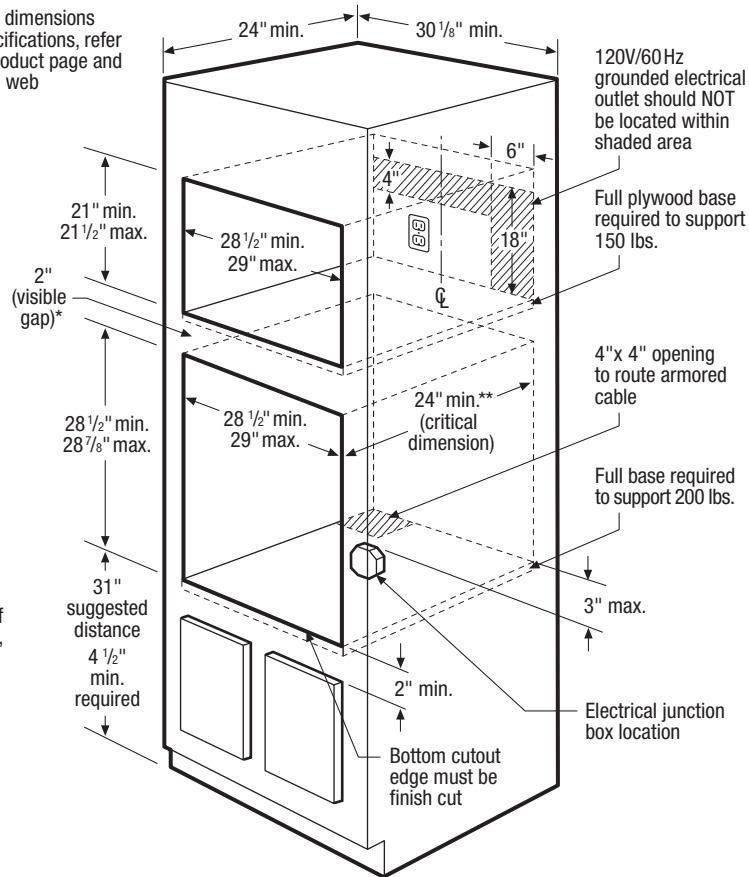
# 30" Combination Installation – Built-In Microwave/Single Wall Oven

For detailed product dimensions and installation specifications, refer to model-specific product page and installation guide on web

**30" Built-In Microwave Cutout**  
For models:  
E30M075HPS  
E30M075HSS

**30" Electric Single Wall Oven Cutout**  
For models:  
E30EW75GPS  
E30EW75GSS

\* Minimum 2 1/8" clearance required from bottom of Built-In Microwave cutout to top edge of Wall Oven's faceplate, leaving a 2" visible gap between both product faceplates.  
\*\* Critical dimension – MUST be applied



## 30" Combination Installation Specifications

- Always consult local and national electric codes. (Refer to product-specific electrical specifications on this page.)
- Minimum 24" deep cutout dimension is critical for proper combination installation, to ensure that each built-in product's faceplate will fit flush against cabinet front.
- Bases must be level and cabinet front must be square.
- Minimum 4-1/2" required distance from bottom of Wall Oven cutout to floor, 31" suggested.
- Respect critical dimensions as noted for proper installation of built-in products.
- Minimum 23-1/4" clearance needed for Wall Oven door depth when open.

## 30" Built-In Convection Microwave Specifications

- Product Weight – (E30M075HPS/E30M075HSS) 84 Lbs.
- Voltage Rating – 120V/60Hz/15 Amps
- Connected Load (kW Rating) @ 120 Volts = 1.6kW (For use on adequately wired 120V, dedicated circuit having 2-wire service with a separate ground wire. Appliance must be grounded for safe operation.)
- Amps @ 120 Volts = 13.7 Amps
- Full oven base of solid plywood or similar material required, capable of supporting 150 Lbs.
- Minimum 2-1/8" clearance required from bottom of Built-In Microwave cutout to top edge of Wall Oven's faceplate, leaving a 2" visible gap between both product faceplates.

## 30" Electric Single Wall Oven Specifications

- Product Weights – (E30EW75GPS) 178 Lbs. / (E30EW75GSS) 175 Lbs.
- Single phase 3- or 4-wire cable, 120/240 or 120/208 Volt, 60 Hertz AC only electrical supply with ground required on separate circuit fused on both sides of line.
- Connected Load (kW Rating) @ 240/208 Volts = 4.0/3.0kW
- Amps @ 240/208 Volts = 16.6/14.4 Amps
- Full oven base of solid plywood or similar material required, capable of supporting 200 Lbs.

**Note:** For planning purposes only. Refer to Product Installation Guide on the web at [electroluxicon.com](http://electroluxicon.com) for detailed instructions.

## Electrolux Major Appliances, N.A.

USA • 10200 David Taylor Drive • Charlotte, NC 28262 • 1-877-4electrolux (1-877-435-3287) • [electroluxicon.com](http://electroluxicon.com)  
CANADA • 5855 Terry Fox Way • Mississauga, ON L5V 3E4 • 1-800-265-8352 • [electroluxicon.ca](http://electroluxicon.ca)