

Electric Slide-In Cooktop

E36EC75HSS



Professional-Style Knobs with Digital Display

The large, professional-style control knobs provide precise control and convenient preset digital settings.



Expandable Elements

Flexible elements with up to 4,400 watts of power expand to fit virtually any pan size so you have the utmost versatility.



Sleek Smoothtop Glass Design

The smooth, glass design of the cooktop seamlessly integrates with your countertop for a polished, premium look, making it easy to clean.



Blue LED Indicator Light

A blue LED indicator light remains illuminated until the surface is cool to the touch.

36" ELECTRIC SLIDE-IN COOKTOP

Configuration 6 Electric Elements

FEATURES

Black Ceramic Smoothtop Glass Surface	Yes
Professional-Style Knobs with Digital Display	Yes
Blue LED Indicator Light	Yes
6" Element – 1200W	2
6" to 9" Expandable Element – 1600W/3000W	1
5" to 7" to 9" Expandable Element – 1000W/1800W/2700W	1
7"/Bridge/7" Elements – 1800W/800W/1800W	1
Spill Control Cooktop	Yes
A.D.A. Compliant*	Yes

ACCESSORIES

Griddle	Included
9" Stainless Steel Backsplash – PN# 903048-9010	Optional
Depth Adjustment Filler Kit** – PN# 903051-9010	Optional
Black Knobs Kit – PN# 903127-9010	Optional

SPECIFICATIONS

Product Dimensions –	
Width	35-7/8"
Depth	25-3/4"
Height	7-3/4"
Power Supply Location Right Rear	
Amps @ 240/208 Volts	49.2/42.6
Connected Load (kW Rating) @ 240/208 Volts	11.8/8.8
Electrical – Single phase 3- or 4-wire cable, 120/240V or 120/208V, 60Hz, fused on both sides of line with ground.	Required
Armored Electrical Cable	Included
Approved for Single Oven Combination Installation***	No
Approved for Downdraft Vent Combination Installation†	Yes
Shipping Weight (Approx.)	72 Lbs.

*When properly installed, meets the appliance standards in the Americans with Disabilities Act and the Architectural Barriers Act Accessibility Guidelines as published by the United States Access Board on June 23, 2004, as amended August 5, 2005.

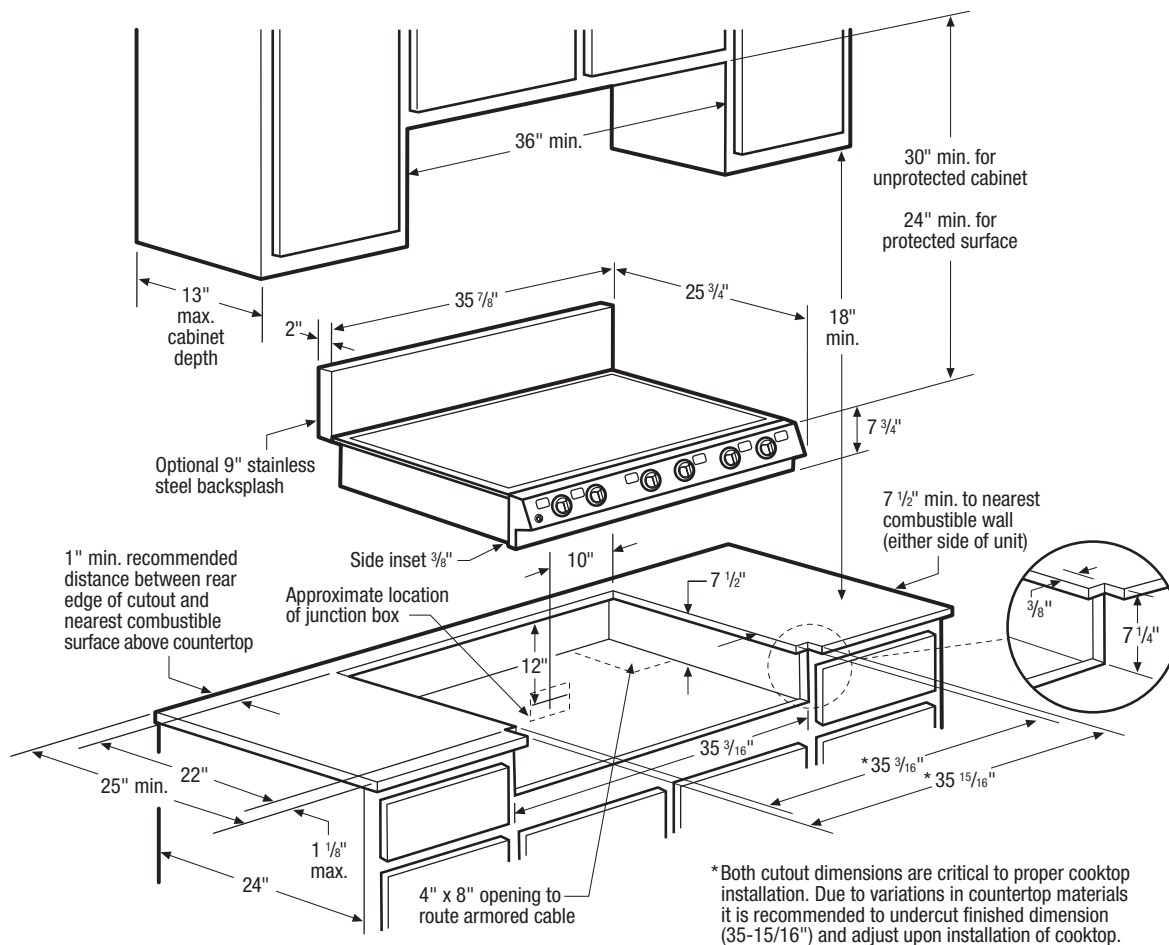
**When replacing an existing cooktop with countertop cutout deeper than 7-1/4" and less than 8-1/2", order free Depth Adjustment Filler Kit.

***Not approved to be used over any Electrolux ICON® Single Wall Oven.

†Approved to be used in combination with an Electrolux ICON® Downdraft Vent (without optional backsplash).

NOTE: Always consult local and national electric codes. Refer to Product Installation Guide for detailed installation instructions on the web at electroluxicon.com.

Specifications subject to change.



*Both cutout dimensions are critical to proper cooktop installation. Due to variations in countertop materials it is recommended to undercut finished dimension (35-15/16") and adjust upon installation of cooktop.

36" Electric Slide-In Cooktop Specifications

- Product Weight – 68 Lbs.
- Single phase 3- or 4-wire cable, 120/240 or 120/208 Volt, 60 Hertz AC only electrical supply with ground required on separate circuit fused on both sides of line.
- Connected Load (kW Rating) @ 240/208 Volts = 11.8/8.8kW
- Amps @ 240/208 Volts = 49.2/42.6 Amps
- Always consult local and national electric codes.
- Respect critical dimensions as noted for proper installation of cooktop.
- Allow 2" space below armored cable opening to clear electrical cable and allow space for installation of junction box on wall at back of cooktop.
- Overhead cabinetry should not exceed a 13" maximum depth.
- Allow 30" minimum clearance between top of cooktop and bottom of unprotected wood or metal overhead cabinetry.
- Absolute minimum horizontal distance between overhead cabinets installed to either side of appliance must be no less than maximum width of appliance.
- Allow 24" minimum clearance when bottom of wood or metal overhead cabinet is protected by not less than 1/8" flame-retardant millboard covered with not less than No. 28 MGS sheet steel, 0.015" stainless steel, 0.024" aluminum or 0.020" copper.
- Allow 1" minimum clearance between rear edge of cutout and nearest combustible surface above countertop.

- Allow 7-1/2" minimum clearance from edge of cooktop to nearest combustible wall on either side of unit.
- It is recommended that drawers not be used beneath cooktop.
- To reduce risk of fire when using overhead cabinetry, install vent hood that projects horizontally a recommended minimum of 7" beyond bottom of cabinets.
- Electric Slide-In Cooktop model E36EC75HSS is NOT approved to be used over any Electrolux ICON® Single Wall Oven.
- Electric Slide-In Cooktop model E36EC75HSS (without optional backsplash) is approved to be used in combination with an Electrolux ICON® 36" Downdraft Vent. (Refer to Slide-In Cooktop/Downdraft Vent Countertop Preparation page on web for detailed installation specifications.)

Note: For planning purposes only. Refer to Product Installation Guide on the web at electroluxicon.com for detailed instructions.

Optional Accessories

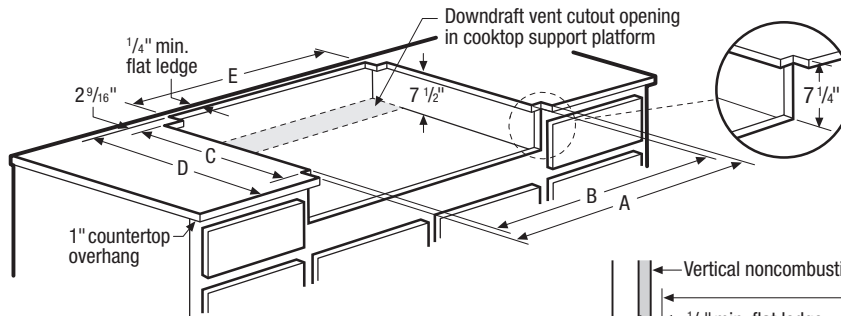
- When replacing an existing cooktop with countertop cutout deeper than 7-1/4" and less than 8-1/2", order free Depth Adjustment Filler Kit – (PN# 903051-9010).
- 9" Stainless Steel Backsplash – (PN# 903048-9010).
- Black Knobs Kit – (PN# 903127-9010).

Electrolux Major Appliances, N.A.

USA • 10200 David Taylor Drive • Charlotte, NC 28262 • 1-877-4electrolux (1-877-435-3287) • electroluxicon.com
 CANADA • 5855 Terry Fox Way • Mississauga, ON L5V 3E4 • 1-800-265-8352 • electroluxicon.ca



Countertop Preparation for 30" & 36" Slide-In Cooktop/Downdraft Vent Installation



For detailed cooktop and downdraft vent installation specifications, refer to model-specific product page and installation guide on web

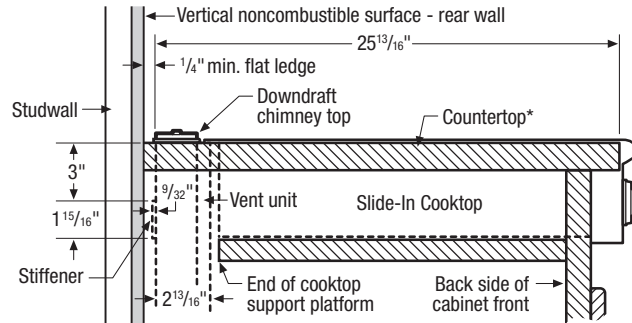
E30DD75ESS/30" Cooktop Cutout Dimensions

30" Cooktop	A	B	C	D	E
E30GC74GPS*	29 15/16"	29 3/16"	22"	25 13/16"	27 3/4"

E36DD75ESS/36" Cooktop Cutout Dimensions

36" Cooktops	A	B	C	D	E
E36EC75DSS	35 15/16"	35 3/16"	22"	25 13/16"	33 3/4"
E36EC75ESS	35 15/16"	35 3/16"	22"	25 13/16"	33 3/4"
E36EC75HSS	35 15/16"	35 3/16"	22"	25 13/16"	33 3/4"
E36GC75DSS*	35 15/16"	35 3/16"	22"	25 13/16"	33 3/4"
E36GC75ESS*	35 15/16"	35 3/16"	22"	25 13/16"	33 3/4"
E36GC75GSS*	35 15/16"	35 3/16"	22"	25 13/16"	33 3/4"
E36GC76EPS*	35 15/16"	35 3/16"	22"	25 13/16"	33 3/4"
E36GC76GPS*	35 15/16"	35 3/16"	22"	25 13/16"	33 3/4"

*Proper combination installation will require cooktop power cord to be relocated to underside of unit. (For details, refer to 30" & 36" Gas Slide-In Cooktop Power Cord Relocation Instructions page.)



Cooktop Installation Note:

To ensure proper installation, refer to model-specific installation guide on web for cooktop dimensions, cutout dimensions and cabinet requirements.

Countertop Preparation Note:

Countertop with backsplash may not allow enough flat area for proper installation, 2-13/16" of flat countertop required behind cooktop. No gap required between back of cooktop and front of downdraft trim piece.

*Standard 25" countertop depth is NOT adequate for slide-in cooktop/vent installations.

Slide-In Cooktop/Downdraft Vent Countertop Preparation Specifications

- For detailed Slide-In Cooktop installation, refer to model-specific product page and installation guide on web. Plan installation so that all required minimum clearances between cooktop, overhead cabinets and adjacent vertical walls are provided.
- Position cooktop/vent cutout so all required minimum clearances are met.
- Minimum flat countertop area must meet or exceed combined overall width and depth as shown. Standard 25" countertop depth is NOT adequate for slide-in cooktop/vent installations.
- Separate circuits required for cooktop and vent. (Refer to product-specific electrical specifications.)
- Always consult local and national electric and gas codes. Check local building codes for installation requirements, as they may vary per locale.
- Proper combination installation will require 30" & 36" Gas Slide-In Cooktop power cord to be relocated to underside of unit. (For details, refer to 30" & 36" Gas Slide-In Cooktop Power Cord Relocation Instructions on web.)

Downdraft Vent Specifications

- For detailed Downdraft Vent installations, refer to model-specific product page and installation guide on web.
- Voltage Rating – 120V/ 60Hz/ 15 Amps
- Connected Load (kW Rating) @ 120 Volts = 1.0kW
(For use on adequately wired 120V, dedicated circuit having 2-wire service with a separate ground wire. Appliance must be grounded for safe operation.)

- Amps @ 120 Volts = 8.0 Amps
- Vent unit outside of building only.
- Vent must be installed in vertical orientation only.
- 1,600 CFM remote exhaust blower (PN# 5304444802) included with vent – shipped in separate box.
- Do not use flexible duct. Round duct instead of rectangular duct recommended, especially when elbows are required.
- When multiple elbows are necessary, ensure a minimum of 24" of straight duct between any two elbows.
- Thermal breaks such as short section of nonmetallic duct, should be used in areas of extreme cold.
- For most efficient airflow exhaust, use a straight run or as few elbows as possible.
- Cold weather installations should have additional backdraft damper installed.
- Installing a Downdraft Vent in combination with any gas cooking surface will affect optimum burner efficiency.
- Downdraft Vents can NOT be used in combination with any cooktop backsplash.

Note: For planning purposes only. Refer to Product Installation Guide on the web at electroluxicon.com for detailed instructions.

Electrolux Major Appliances, N.A.

USA • 10200 David Taylor Drive • Charlotte, NC 28262 • 1-877-4electrolux (1-877-435-3287) • electroluxicon.com
CANADA • 5855 Terry Fox Way • Mississauga, ON L5V 3E4 • 1-800-265-8352 • electroluxicon.ca