

# Gas Slide-In Cooktop

E48GC76EPS



### Continuous Grates

Designed for cooking multiple dishes at varying temperatures on a single cooktop, continuous grates allow you to move even the heaviest pots and pans from burner to burner with the utmost ease.



### Professional-Style Controls

Large 270 degree knobs give you precise control while cooking, so you get the results you want.



### Flexible Burner Configuration

This cooktop offers a wide range of burner sizes giving you more flexibility so you can create a multi-course meal at once.



### Versatile Cooking Accessories

Interchangeable accessories include a griddle plate, a special wok ring and simmer plate—so you can customize the cooktop to fit your cooking needs.

### 48" GAS SLIDE-IN COOKTOP

Configuration	6 Sealed Burners
---------------	------------------

#### FEATURES

Formed Stainless Steel Platform	Yes
Professional-Style Controls	6
Sealed Power Burner™ (BTU)	2 (17,000) 2 (15,000)
Sealed Precision Burner™ (BTU)	2 (8,500 – 850)
Linear Flow Burner Valves	6
Vantage Flame™	Yes
Continuous Grates	3
A.D.A. Compliant*	Yes

#### ACCESSORIES

Griddle	Included
Wok Ring	Included
Simmer Plate	Included
9" Stainless Steel Backsplash – PN# ACCBG09-48SI	Optional
Black Gas Valve Knob – PN# 318313302	Optional

#### SPECIFICATIONS

Overall Exterior Dimensions –	
Width	48"
Depth	26-1/2"
Height	7-3/4"
Gas Inlet/ Power Supply Location	Right Rear
LP Gas Conversion Kit	Included
Voltage Rating	120V/60Hz/15A
Connected Load (kW Rating) @ 120 Volts†	0.03
Electrical Cable	Included
Approved for Single Oven Combination Installation**	No
Shipping Weight (Approx.)	200 Lbs.

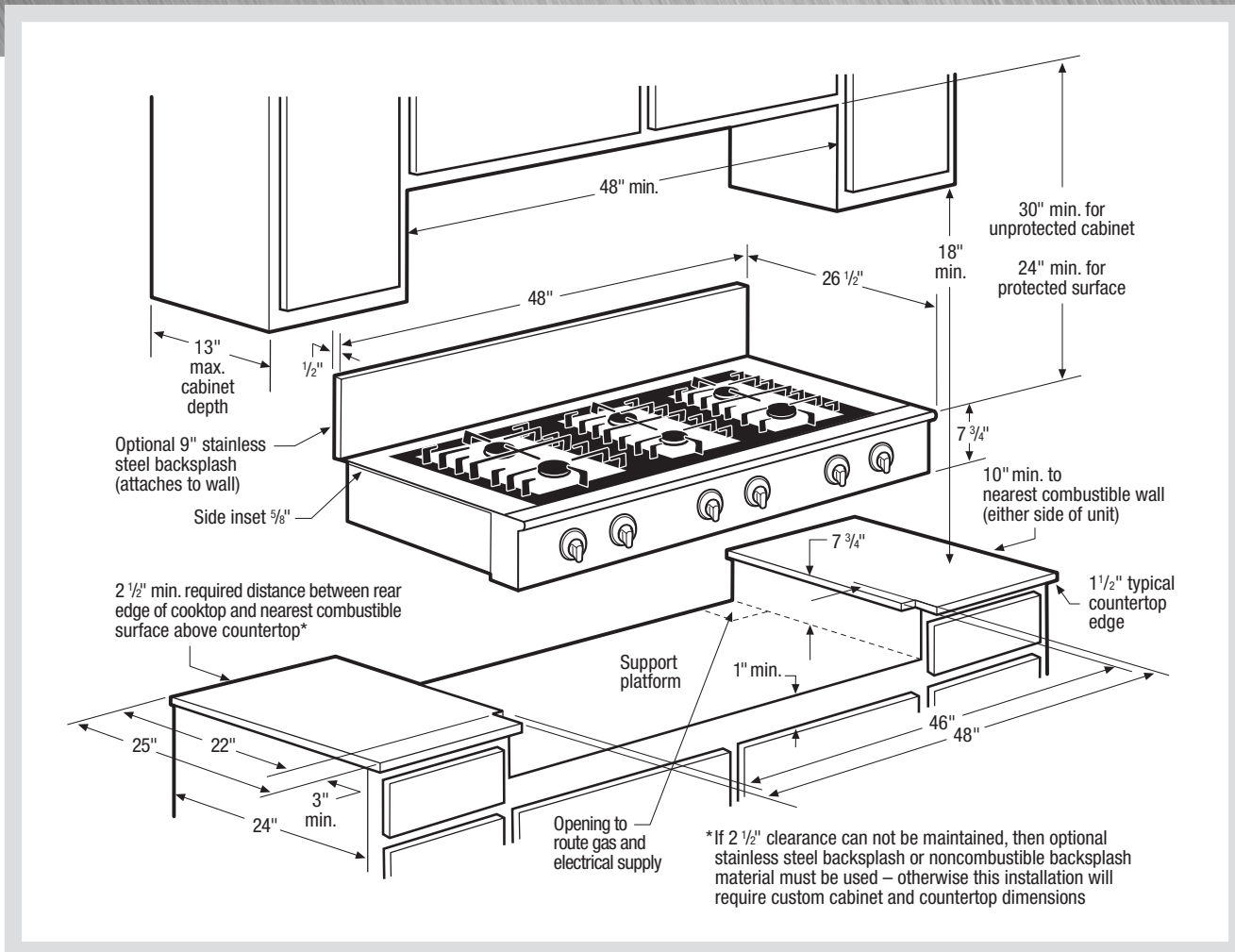
\*When properly installed, meets the appliance standards in the Americans with Disabilities Act and the Architectural Barriers Act Accessibility Guidelines as published by the United States Access Board on June 23, 2004, as amended August 5, 2005.

†For use on adequately wired 120V, dedicated circuit having 2-wire service with a separate ground wire. Appliance must be grounded for safe operation.

\*\* Not approved to be used over any Electrolux ICON® Single Wall Oven.

NOTE: Always consult local and national electric and gas codes. Refer to Product Installation Guide for detailed installation instructions on the web at [electroluxicon.com](http://electroluxicon.com).

Specifications subject to change.



#### 48" Gas Slide-In Cooktop Specifications

- Product Weight – 190 Lbs.
- Voltage Rating – 120V/ 60Hz/ 15 Amps
- Connected Load (kW Rating) @ 120 Volts = 0.03kW  
(For use on adequately wired 120V, dedicated circuit having 2-wire service with a separate ground wire. Appliance must be grounded for safe operation.)
- Amps @ 120 Volts = 0.25 Amps
- Always consult local and national electric and gas codes.
- Cooktop ships with 3/4" factory regulator.
- LP Gas conversion kit supplied.
- Plan installation to have electrical connection, gas shutoff valve, and pressure regulator accessible from front of cabinet. Locate 120V grounded outlet and gas supply in a 30"W x 15-1/2"H area on rear wall, 10" above floor and 6" to right from center of cooktop.
- Overhead cabinetry should not exceed a 13" maximum depth.
- Allow 30" minimum clearance between top of cooktop and bottom of unprotected wood or metal overhead cabinetry.
- Absolute minimum horizontal distance between overhead cabinets installed to either side of appliance must be no less than maximum width of appliance.
- Allow 24" minimum clearance when bottom of wood or metal overhead cabinet is protected by not less than 1/8" flame-retardant millboard covered with not less than No. 28 MGS sheet steel, 0.015" stainless steel, 0.024" aluminum or 0.020" copper.

- Allow 2-1/2" minimum clearance between rear edge of cooktop and nearest combustible surface above countertop. If required clearance cannot be maintained, then optional stainless steel backsplash or noncombustible backsplash material must be used – otherwise installation will require custom cabinet and countertop dimensions.
- Allow 10" minimum clearance from edge of cooktop to nearest combustible wall on either side of unit.
- It is recommended that drawers not be used beneath cooktop.
- To reduce risk of fire when using overhead cabinetry, install vent hood that projects horizontally a recommended minimum of 5" beyond bottom of cabinets.
- Gas Slide-In Cooktop model E48GC76EPS is NOT approved to be used over any Electrolux ICON® Single Wall Oven.

**Note:** For planning purposes only. Refer to Product Installation Guide on the web at [electroluxicon.com](http://electroluxicon.com) for detailed instructions.

#### Optional Accessories

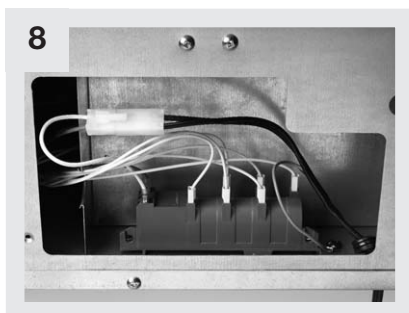
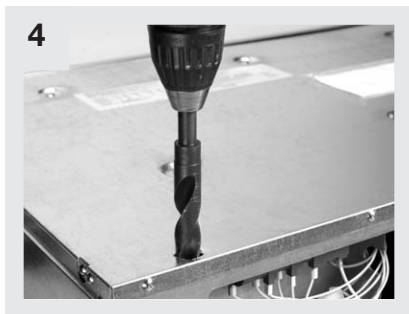
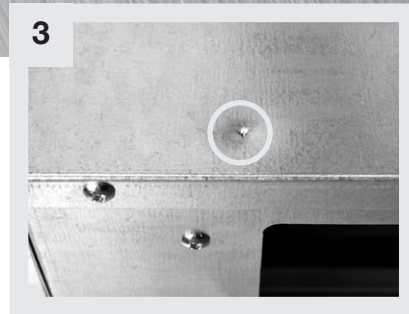
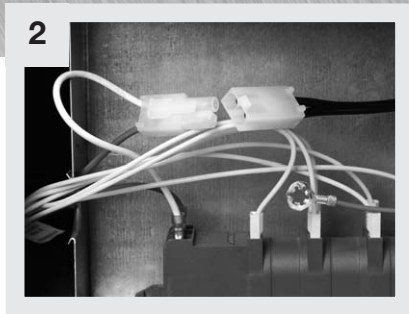
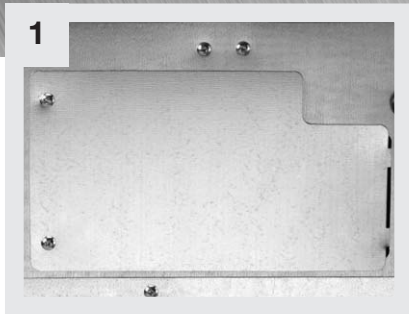
- 9" Stainless Steel Backsplash – (PN# ACCBG09-48SI).
- Black Gas Valve Knob – (PN# 318313302).

#### Electrolux Major Appliances, N.A.

USA • 10200 David Taylor Drive • Charlotte, NC 28262 • 1-877-4electrolux (1-877-435-3287) • [electroluxicon.com](http://electroluxicon.com)  
CANADA • 5855 Terry Fox Way • Mississauga, ON L5V 3E4 • 1-800-265-8352 • [electroluxicon.ca](http://electroluxicon.ca)



# 30" & 36" Gas Slide-In Cooktop Power Cord Relocation Instructions



To install an Electrolux ICON® Gas Slide-In Cooktop in combination with an Electrolux ICON® Downdraft Vent, cooktop power cord **MUST** be relocated to underside of unit. Gas Slide-In Cooktops requiring this procedure are: E30GC74GPS, E36GC75DSS, E36GC75ESS, E36GC75GSS, E36GC76EPS and E36GC76GPS.

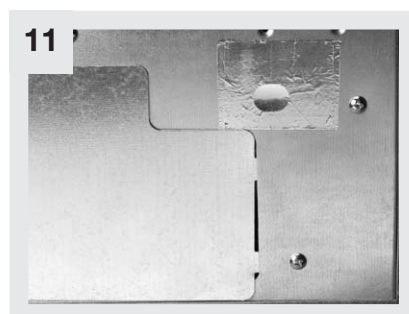
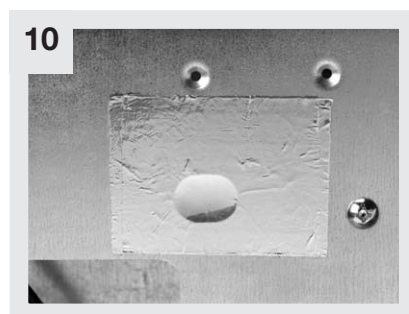
Please have qualified electrician perform following rewiring procedure in accordance with local and national electric codes.

### Tools & Materials:

Phillips-Head Screwdriver, Hammer, Awl or Punch, Drill with 3/4" drill bit, 2-Plastic Inserts (73209-2470), Silicone Caulk and Aluminum Tape.

### Procedure:

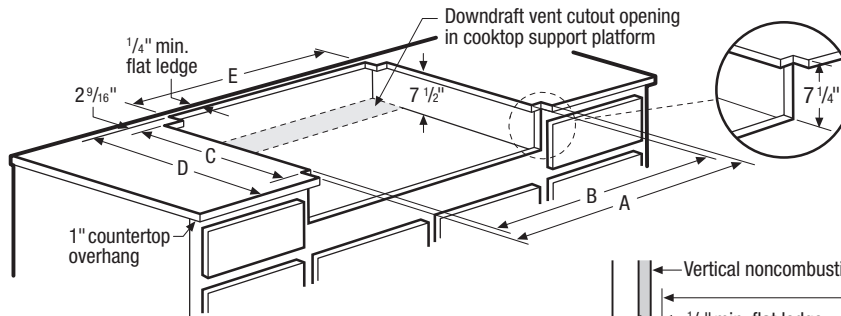
1. Remove electrical access panel from rear of cooktop.
2. Disconnect power cord and ground wires, then remove from cooktop.
3. Locate area for new hole to be drilled, 1/2" in from back edge on underside of cooktop, then mark hole location using an awl or punch.
4. Use 3/4" drill bit to drill new hole completely through.
5. Route power cord wires through hole.
6. Place plastic inserts in upper and lower drilled holes to protect cord.
7. Knot power cord to secure into place.
8. Reconnect power cord and ground wires.
9. Fill remaining hole surrounding power cord with silicone caulk.
10. Cover both sides of original hole with two layers of aluminum tape.
11. Screw electrical access panel back in place.



## Electrolux Major Appliances, N.A.

USA • 10200 David Taylor Drive • Charlotte, NC 28262 • 1-877-4electrolux (1-877-435-3287) • [electroluxicon.com](http://electroluxicon.com)  
CANADA • 5855 Terry Fox Way • Mississauga, ON L5V 3E4 • 1-800-265-8352 • [electroluxicon.ca](http://electroluxicon.ca)

## Countertop Preparation for 30" & 36" Slide-In Cooktop/Downdraft Vent Installation



For detailed cooktop and downdraft vent installation specifications, refer to model-specific product page and installation guide on web

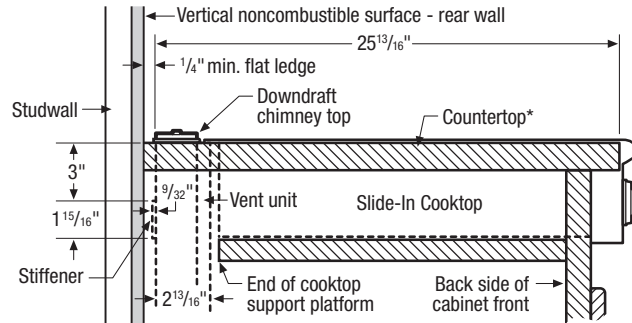
### E30DD75ESS/30" Cooktop Cutout Dimensions

30" Cooktop	A	B	C	D	E
E30GC74GPS*	29 15/16"	29 3/16"	22"	25 13/16"	27 3/4"

### E36DD75ESS/36" Cooktop Cutout Dimensions

36" Cooktops	A	B	C	D	E
E36EC75DSS	35 15/16"	35 3/16"	22"	25 13/16"	33 3/4"
E36EC75ESS	35 15/16"	35 3/16"	22"	25 13/16"	33 3/4"
E36EC75HSS	35 15/16"	35 3/16"	22"	25 13/16"	33 3/4"
E36GC75DSS*	35 15/16"	35 3/16"	22"	25 13/16"	33 3/4"
E36GC75ESS*	35 15/16"	35 3/16"	22"	25 13/16"	33 3/4"
E36GC75GSS*	35 15/16"	35 3/16"	22"	25 13/16"	33 3/4"
E36GC76EPS*	35 15/16"	35 3/16"	22"	25 13/16"	33 3/4"
E36GC76GPS*	35 15/16"	35 3/16"	22"	25 13/16"	33 3/4"

\*Proper combination installation will require cooktop power cord to be relocated to underside of unit. (For details, refer to 30" & 36" Gas Slide-In Cooktop Power Cord Relocation Instructions page.)



### Cooktop Installation Note:

To ensure proper installation, refer to model-specific installation guide on web for cooktop dimensions, cutout dimensions and cabinet requirements.

### Countertop Preparation Note:

Countertop with backsplash may not allow enough flat area for proper installation, 2-13/16" of flat countertop required behind cooktop. No gap required between back of cooktop and front of downdraft trim piece.

\*Standard 25" countertop depth is NOT adequate for slide-in cooktop/vent installations.

## Slide-In Cooktop/Downdraft Vent Countertop Preparation Specifications

- For detailed Slide-In Cooktop installation, refer to model-specific product page and installation guide on web. Plan installation so that all required minimum clearances between cooktop, overhead cabinets and adjacent vertical walls are provided.
- Position cooktop/vent cutout so all required minimum clearances are met.
- Minimum flat countertop area must meet or exceed combined overall width and depth as shown. Standard 25" countertop depth is NOT adequate for slide-in cooktop/vent installations.
- Separate circuits required for cooktop and vent. (Refer to product-specific electrical specifications.)
- Always consult local and national electric and gas codes. Check local building codes for installation requirements, as they may vary per locale.
- Proper combination installation will require 30" & 36" Gas Slide-In Cooktop power cord to be relocated to underside of unit. (For details, refer to 30" & 36" Gas Slide-In Cooktop Power Cord Relocation Instructions on web.)

## Downdraft Vent Specifications

- For detailed Downdraft Vent installations, refer to model-specific product page and installation guide on web.
- Voltage Rating – 120V/ 60Hz/ 15 Amps
- Connected Load (kW Rating) @ 120 Volts = 1.0kW  
(For use on adequately wired 120V, dedicated circuit having 2-wire service with a separate ground wire. Appliance must be grounded for safe operation.)

- Amps @ 120 Volts = 8.0 Amps
- Vent unit outside of building only.
- Vent must be installed in vertical orientation only.
- 1,600 CFM remote exhaust blower (PN# 5304444802) included with vent – shipped in separate box.
- Do not use flexible duct. Round duct instead of rectangular duct recommended, especially when elbows are required.
- When multiple elbows are necessary, ensure a minimum of 24" of straight duct between any two elbows.
- Thermal breaks such as short section of nonmetallic duct, should be used in areas of extreme cold.
- For most efficient airflow exhaust, use a straight run or as few elbows as possible.
- Cold weather installations should have additional backdraft damper installed.
- Installing a Downdraft Vent in combination with any gas cooking surface will affect optimum burner efficiency.
- Downdraft Vents can NOT be used in combination with any cooktop backsplash.

**Note: For planning purposes only. Refer to Product Installation Guide on the web at [electroluxicon.com](http://electroluxicon.com) for detailed instructions.**

## Electrolux Major Appliances, N.A.

USA • 10200 David Taylor Drive • Charlotte, NC 28262 • 1-877-4electrolux (1-877-435-3287) • [electroluxicon.com](http://electroluxicon.com)  
CANADA • 5855 Terry Fox Way • Mississauga, ON L5V 3E4 • 1-800-265-8352 • [electroluxicon.ca](http://electroluxicon.ca)