

BOTTOM FREEZER REFRIGERATOR

EI12BF25US



PRODUCT DIMENSIONS

Height	72-7/8"
Width	23-1/2"
Depth (Incl. Door)	26"

MORE EASY-TO-USE FEATURES

SLIM FOOTPRINT

24" width is ideal for urban settings or guest suites while still providing a generous 12 cu. ft. of storage capacity.

REVERSIBLE DOORS

Provide flexible installation options.

SLEEK EXTERIOR

Sleek lines create a modern look to seamlessly integrate into your décor.

POCKET HANDLES

Hidden pocket handles accentuate the modern design of the refrigerator.

Available in:



Stainless
(S)

SIGNATURE FEATURES



LUXURY GLASS SHELVING & DRAWERS

Glide out smoothly and fully extend giving you easy access to what's inside.



SUPER COOL & SUPER FREEZE

Rapidly adjusts temperature to preserve food's freshness.



PERFECT SET® CONTROLS

Allows you to set temperature controls to maximize the freshness and flavor of your food.



LUXURY-DESIGN® LED REFRIGERATOR LIGHTING

Our ramp-up designer LED lighting is as beautiful as it is functional, keeping refrigerator contents clearly visible.

BOTTOM FREEZER REFRIGERATOR

E12BF25US



24" COUNTER-DEPTH BOTTOM FREEZER REFRIGERATOR

CAPACITIES

Total Capacity	11.8 Cu. Ft.
Fresh Food Volume	8.2 Cu. Ft.
Freezer Volume	3.6 Cu. Ft.
Total Shelf Area	12.5 Sq. Ft.
Fresh Food Shelf Area	8.1 Sq. Ft.
Freezer Shelf Area	4.4 Sq. Ft.

FEATURES

Electronic Controls	Perfect Set®
Fast Freeze™	Yes
Vacation Mode	Yes
Hidden Hinge Door Design	Yes
Door Ajar Alarm	Yes
Power Failure Alarm	Yes

FRESH FOOD CONVENIENCES

Luxury-Design® Glass Shelves	Yes
Humidity-Controlled Crisper	Yes
Clear Full-Width Door Bins (Adjustable)	2
Clear Full-Width Door Bins (Fixed)	1
Luxury-Design® LED Ramp-Up Multilevel Lighting	Yes

FREEZER CONVENIENCES

Luxury-Glide® Drawers	3
-----------------------	---

ADDITIONAL FEATURES

ENERGY STAR®	Yes
--------------	-----

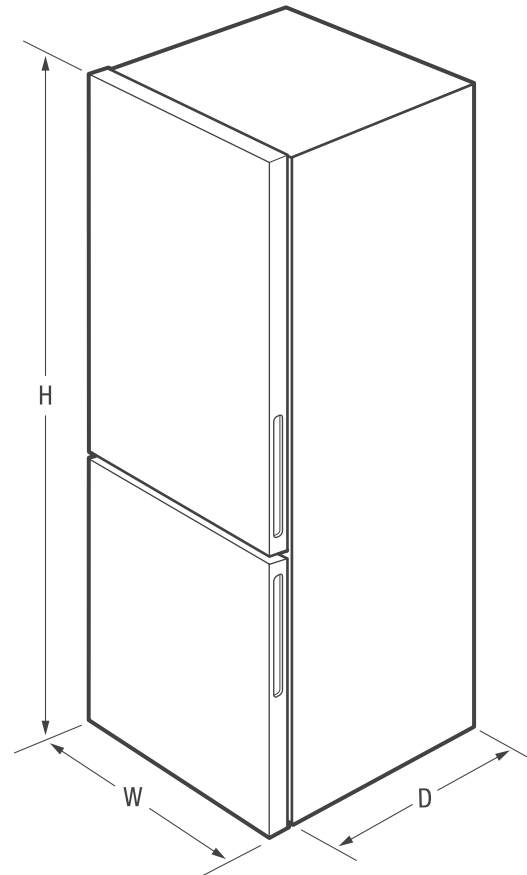
SPECIFICATIONS

Color –	
Stainless Steel	S
Power Supply Connection Location	Right Bottom Rear
Voltage Rating	115V / 60 Hz
Connected Load (kW Rating) @ 120 Volts†	0.19
Minimum Circuit Required (Amps)	15
Shipping Weight (Approx.)	187 Lbs.

† An electrical supply with grounded three-prong receptacle is required. The power supply circuit must be installed in accordance with current edition of National Electrical Code (NFPA 70) and local codes & ordinances.

NOTE: Always consult local and national electric and plumbing codes. Refer to Product Installation Guide for detailed installation instructions on the web at electroluxappliances.com.

Specifications subject to change.



PRODUCT DIMENSIONS

Height	72-7/8"
Width	23-1/2"
Depth (Including Door)	26"
(with Door 90° Open)	46-3/4"

Electrolux Major Appliances, N.A.

USA • 10200 David Taylor Drive • Charlotte, NC 28262 • 1-877-4electrolux (1-877-435-3287) • electroluxappliances.com
 CANADA • 5855 Terry Fox Way • Mississauga, ON L5V 3E4 • 1-800-265-8352 • electroluxappliances.ca

E12BF25US 10/18

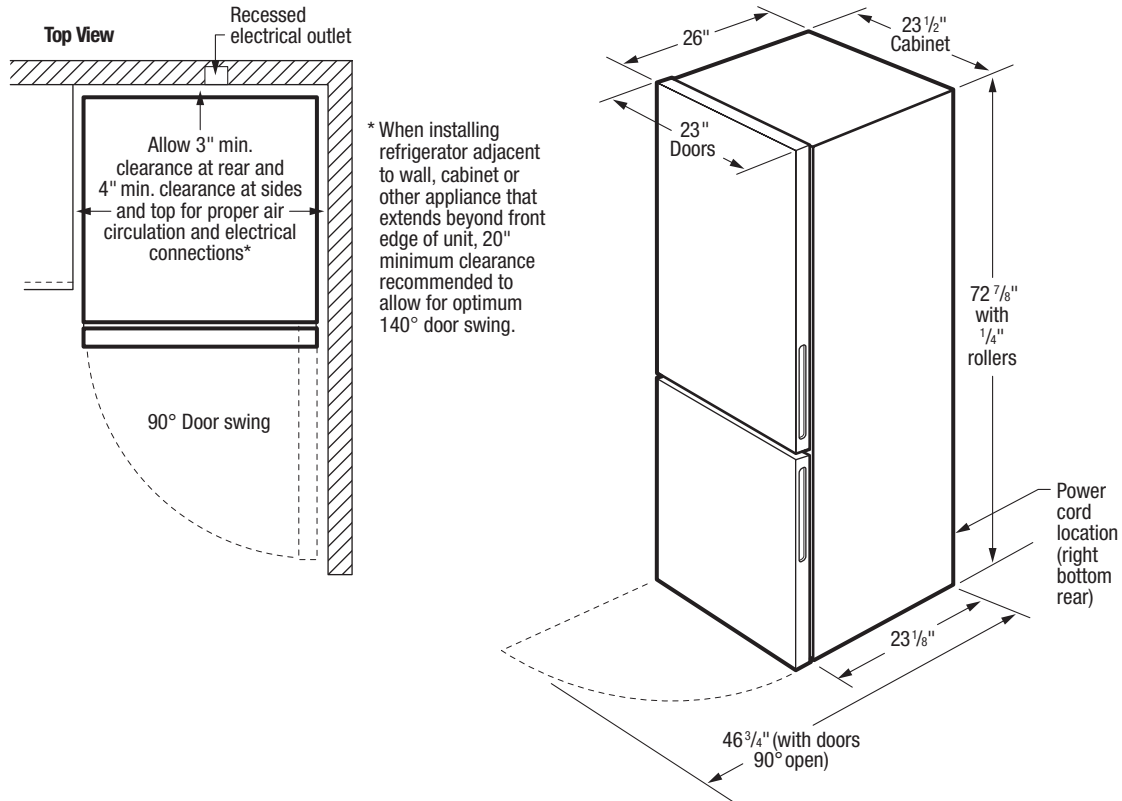
©2018 Electrolux Home Products, Inc.



High standards of quality at Electrolux Home Products, Inc. mean we are constantly working to improve our products. We reserve the right to change specifications or discontinue models without notice.

BOTTOM FREEZER REFRIGERATOR

E12BF25US



Counter-Depth Bottom Freezer Refrigerator Specifications

- Product Weight – 187 Lbs.
- An electrical supply with grounded three-prong receptacle is required. The power supply circuit must be installed in accordance with current edition of National Electrical Code (NFPA 70) and local codes & ordinances.
- Voltage Rating – 120V/60 Hz
- Connected Load (kW Rating) @ 120 Volts = 0.19 kW
- Amps @ 120 Volts = 15 Amps
- Always consult local and national electric & plumbing codes.
- Floor should be level surface of hard material, capable of supporting fully loaded refrigerator.
- When installing refrigerator adjacent to wall, cabinet or other appliance that extends beyond front edge of unit, 20" minimum clearance recommended to allow for optimum 120° to 180° door swing, providing complete drawer/crisper access and removal. (*Absolute 4-1/2" minimum clearance will ONLY allow for 90° door swing which will provide drawer/crisper access with restricted removal.*)
- To ensure optimum performance, avoid installing in direct sunlight or close proximity to range, dishwasher or other heat source.
- For proper ventilation, front grille **MUST** remain unobstructed.
- Recess electrical outlet when possible.
- Adjustable front rollers to assist with door alignment.

Note: For planning purposes only. Refer to Product Installation Guide on the web at electroluxappliances.com for detailed instructions.

Electrolux Major Appliances, N.A.

USA • 10200 David Taylor Drive • Charlotte, NC 28262 • 1-877-4electrolux (1-877-435-3287) • electroluxappliances.com
CANADA • 5855 Terry Fox Way • Mississauga, ON L5V 3E4 • 1-800-265-8352 • electroluxappliances.ca

E12BF25US 10/18

©2018 Electrolux Home Products, Inc.



High standards of quality at Electrolux Home Products, Inc. mean we are constantly working to improve our products. We reserve the right to change specifications or discontinue models without notice.