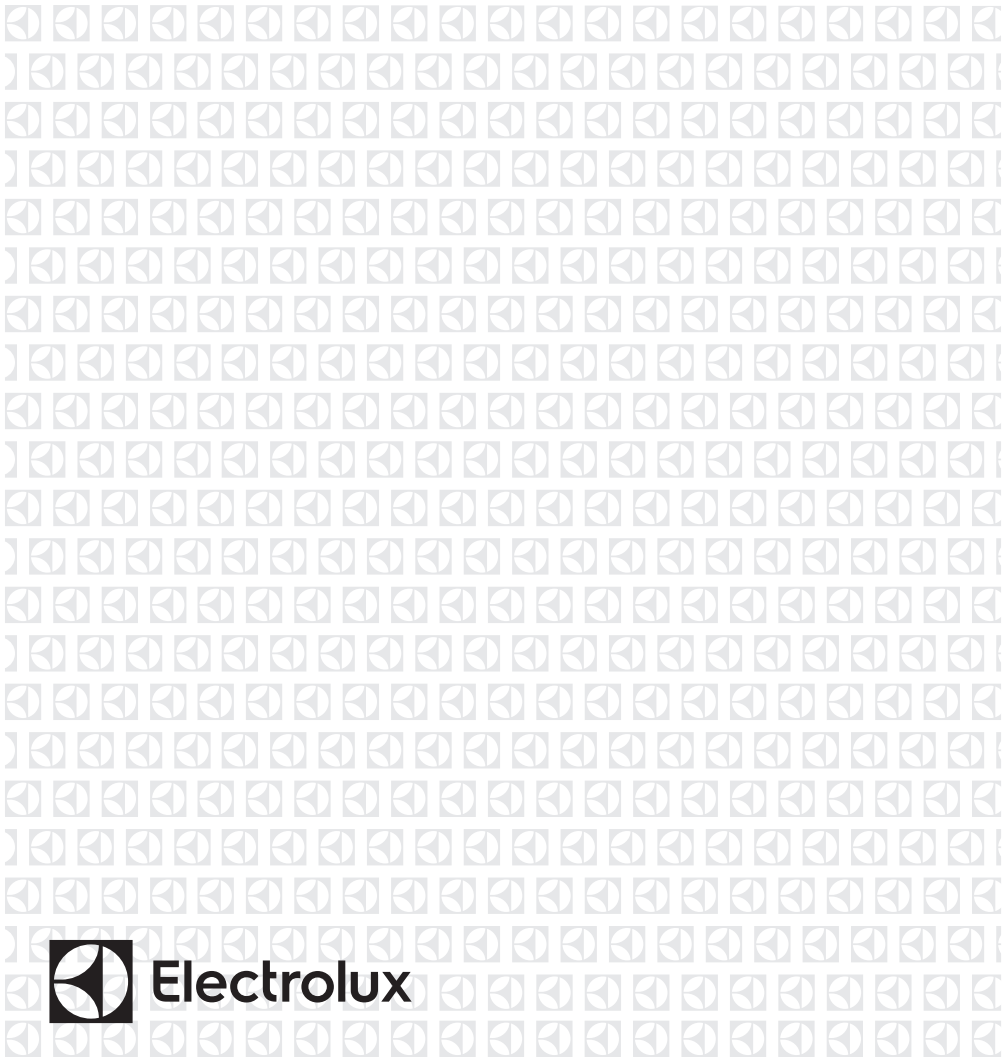


EN DISHWASHER
FR LAVE-VAISSELLE

USE & CARE GUIDE
GUIDE D'UTILISATION ET D'ENTRETIEN



2 Important Safety Information

Please read and save this guide

Thank you for choosing Electrolux, our premium brand in home appliances. This *Use & Care Guide* is part of our commitment to customer satisfaction and product quality throughout the service life of your new appliance.

We view your purchase as the beginning of a relationship. To ensure our ability to continue serving you, please use this page to record important product information.

Keep a record for quick reference

Purchase date

Electrolux serial number

Electrolux model number

Table of contents

Important Safety Information.....	2
Features	5
Controls and Settings	7
Operating Instructions	11
Care and Cleaning.....	19
Troubleshooting.....	21
Limited Warranty	26

Questions?

For toll free telephone support or online support in the US and Canada contact:

U.S.

1-877-4ELECTROLUX (1-877-435-3287)
www.electroluxappliances.com

Canada

1-800-265-8352
www.electroluxappliances.ca



NOTE

Registering your product with Electrolux enhances our ability to serve you. You can register online at www.electroluxappliances.com, send your Product Registration Card in the mail, or PHOTOREGISTERSM using a smart phone. See *registration card for details*.



NOTE

The instructions appearing in this *Use & Care* guide are not meant to cover every possible condition and situation that may occur. Common sense and caution must be practiced when installing, operating and maintaining any appliance.



WARNING

For your safety the information in this manual must be followed to minimize the risk of fire or explosion or to prevent property damage, personal injury or loss of life. Do not store or use gasoline or other flammable vapors and liquids in the vicinity of this or any other appliance.

**READ ALL INSTRUCTIONS BEFORE OPERATING THIS DISHWASHER.
SAVE THESE INSTRUCTIONS FOR FUTURE REFERENCE.**

Important safety instructions

Recognize safety symbols, words and labels

Safety items throughout this manual are labeled with a DANGER, WARNING, or CAUTION based on the risk type.



DANGER

DANGER indicates an imminently hazardous situation which, if not avoided, will result in death or serious injury.



WARNING

WARNING indicates a potentially hazardous situation which, if not avoided, could result in death or serious injury.



WARNING - RISK OF FIRE

To reduce the risk of fire, electrical shock, or injury to persons when using this dishwasher, comply with the warnings listed below. Failure to comply with these Important Safety Information and warnings could result in property damage, serious personal injury, or death.

For your safety

- Use your dishwasher only as instructed in this Use and Care Manual.
- This Manual does not cover every possible condition and situation that may occur. Use common sense and caution when installing, operating and maintaining any appliance.
- NSF certified residential dishwashers are not intended for licensed food establishments.
- DISHWASHER MUST BE ELECTRICALLY GROUNDED. This appliance must be connected to a ground metal, permanent wiring system, or an equipment-grounding conductor must be run with the circuit conductors and connected to the equipment-grounding terminal or lead on this appliance. Read the Installation Instructions for details.
- This dishwasher is designed to operate on regular house current (120V, 60Hz). Use a circuit equipped with a 15 ampere fuse or circuit breaker. Use a 20 ampere fuse if dishwasher is connected with a food disposer.

Definitions

This is the safety alert symbol. It is used to alert you to potential personal injury hazards. Obey all safety messages that follow this symbol to avoid possible injury or death.



CAUTION

CAUTION indicates a potentially hazardous situation which, if not avoided, may result in minor or moderate injury.



IMPORTANT

Indicates installation, operation, or maintenance information which is important but not hazard-related.

- Do not operate dishwasher unless all enclosure panels are in their proper place.
- Use only detergents and rinse agents recommended for use in a dishwasher.
- Store dishwasher detergent and rinse agents out of the reach of children.
- If the dishwasher drains into a food disposer, make sure disposer is completely empty before running dishwasher.
- Do not wash plastic items unless marked: "Dishwasher Safe" or equivalent. Check with manufacturer for recommendations, if not marked. Items that are not marked dishwasher safe may melt and create a potential fire hazard.
- When loading items to be washed:
 - Locate sharp items and knives so that they are not likely to damage the door seal or tub.
 - Load sharp items and knives with the handles up to reduce the risk of cut-type injuries.
- Do not tamper with controls.

4 Important Safety Information

- Use care unloading the dishware when the **SANITIZE** option has been selected. Contents may be hot to the touch immediately after the end of cycle.
- Under certain conditions, hydrogen gas may be produced in a hot water system that has not been used for 2 weeks or more. **HYDROGEN GAS IS EXPLOSIVE**. If hot water system has not been used for such a period, before using dishwasher, turn on all hot water faucets and let water flow from each for several minutes. This will release any accumulated hydrogen gas. **HYDROGEN GAS IS FLAMMABLE**. Do not smoke or use an open flame during this time.
- Do not store or use combustible materials, gasoline or other flammable vapors and liquids in the vicinity of this or any other appliance.
- Disconnect electrical power to dishwasher before servicing.
- Repairs should be done by a qualified technician.

Child safety

- This appliance is not intended for use by persons (including children) with reduced physical, sensory or mental capabilities, or lack of experience and knowledge, unless they have been given supervision or instruction concerning use of the appliance by a person responsible for their safety.
- Close supervision of children is necessary when the appliance is used near children. As children grow, teach them the proper, safe use of all appliances.
- **DO NOT** allow children to play in or on the dishwasher
- **DO NOT** allow children to abuse, sit, stand or play on door or racks of a dishwasher.
- Destroy the carton, plastic bag and other packing materials after the appliance is unpacked. Children might use them for play. Cartons covered with rugs, bedspreads or plastic sheets can become airtight chambers.

- Keep dishwasher products out of children's reach. To prevent personal injury, observe all warnings on product labels.
- To avoid entrapment and/or suffocation, remove door or door latch mechanism from any dishwasher that is discarded or not in use..
- Failure to comply with these warnings could result in serious personal injuries.

Risk of child entrapment

Child entrapment and suffocation are not problems of the past. Junked or abandoned appliances are still dangerous – even if they will sit for “just a few days”. If you are getting rid of your old appliance, please follow the instructions below to help prevent accidents.

We strongly encourage responsible appliance recycling/disposal methods. Contact your State/Province Energy Office, Local Electric and Water Utilities or Conservation Program Office or visit www.energystar.gov/recycle for more information on recycling your old washer or dryer.

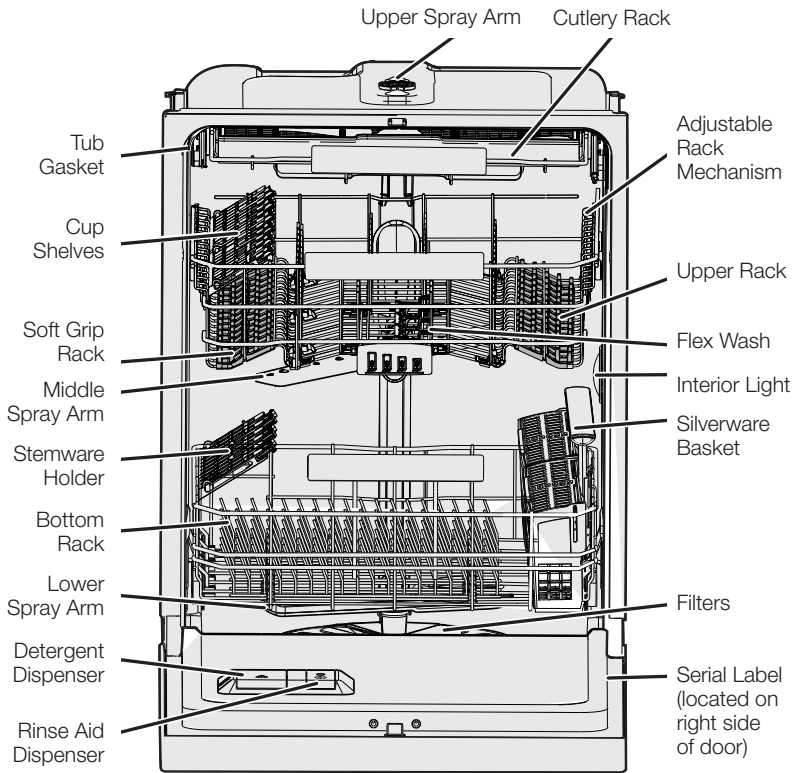
Before you throw away your old appliance:

- Remove doors or door latch.
- Remove the electric power cord
- Secure all hoses and drain pipes to prevent water from leaking out and creating a slip hazard.



WARNING

To reduce the risk of fire, electrical shock or injury when using your dishwasher, follow the above basic precautions.



How your dishwasher cleans

Your dishwasher cleans by spraying a mixture of hot water and detergent through the spray arms against soiled surfaces. First, the dishwasher drains for a few seconds to remove soils dropped while loading, then fills with water covering the filter area. Water is then pumped through the spray arms. Soil particles go through and across the filter and down the drain as the water is pumped out. This series of steps are repeated as needed. The number of water fills varies with the cycle being used.



NOTE

Racks and Features in your dishwasher model may vary in appearance from illustrations in this manual.

Getting started

To run your dishwasher, follow these basic steps:

1. Load Dishwasher (see loading instructions).
2. Add detergent to the dispenser (see Filling the detergent dispenser).
3. Add Rinse Aid to the dispenser, if needed (see Using the rinse aid dispenser).
4. Run hot water faucet nearest dishwasher until water is hot. Turn water off.
5. Select desired cycles (see Cycle selection).
6. Select desired options (see Option selection).
7. To start, press **START** pad and close door immediately.

6 Features



NOTE

If the dishwasher door is opened while the unit is running, the START/CANCEL pad must be pressed and the door shut immediately to return the unit to the selected cycle and option. This must happen within 10 minutes for the unit to continue the cycle.

Energy use

The yellow energy guide label that came on your unit tells how much energy it would use in one year and how it compares to others that are available. The energy is based on the **NORMAL** cycle response to tests that apply soils and dishware that simulate the average use. Eight place settings of dishware and some serving pieces are used during the test. The total energy is based on running the average number of cycles per year, applying typical soil levels to the dishware and half the time, selecting the option of using extra energy to more fully dry the dishware. Actual energy and water use will depend upon the cycle and options you select.

This unit uses an in-line water heating element that is located under the tub. There is no exposed heater that plasticware might come in contact with or that is accessible to touch. The heat is taken to the dishware through the heated water. For this reason, plastic dishware may be placed where it best fits in either the top or bottom rack. Temperatures are uniform throughout the dishwasher.

If the user prefers to save energy and dry the dishes by hand they select the **AIR DRY** option: If you prefer to spend slightly more energy to get the dishes drier then turn the **AIR DRY** option off and select one of the heated dry options. In response the wash and rinse temperatures in the cycle will be increased.

This will help the cleaning and it will also get the dishwasher hotter. When the final drain removes all standing water, the extra heat stored in the dishware will act to evaporate the remaining water.

Your unit provides a selection of cycles. In general, the more water used by a cycle and the hotter the temperatures it reaches the more energy that it uses. Several cycles, such as the **NORMAL** cycle will change their response based on soil level,

options selected, and ambient conditions. The **NORMAL** cycle is good for all around use. Other cycles are focused toward special use like the **HEAVY** cycle that is designed for heavily solid cookware.

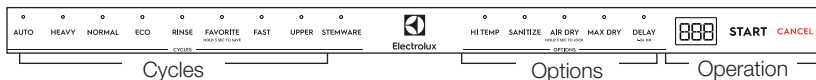
DishSense™ technology

Your unit has DishSense™ Technology that is used to understand how heavily soiled the dish load is so the cycle can be automatically adjusted to the appropriate response. This helps to prevent energy waste. The sensor is calibrated at the end of each cycle. This will assure that whatever is loaded will be cleaned.



NOTE

For the first cycle after power is applied (when first installed or after a power failure) the sensor will not be calibrated and so cannot determine the soil load. Therefore, your unit will provide a response suitable for heavy soils on the first run after power is restored. Energy use during this first run may be higher than would be typical.



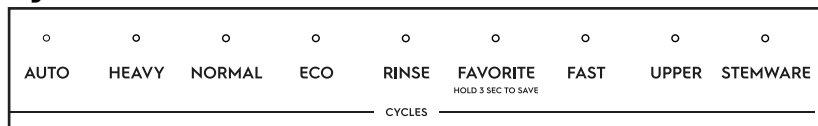
Wash cycle and options

Cycle times are approximate and vary by options selected. Hot water is necessary to activate dishwasher detergent and melt fatty food soils.

An automatic sensor checks the water temperature for the main wash of each cycle. When **HI TEMP** is selected, the sensor checks for an even higher temperature. Run hot water in a faucet nearest the dishwasher until water is hot before starting.

The Smart Sensor checks the soil level on your dishes in the **AUTO**, **NORMAL** and **ECO** cycles. Cycle time and water usage will vary based on the amount of soil on the dishes.

Cycle selection



Press the **START** button to turn ON the unit. Then, press a cycle pad to select your cycle. The LED light above the selection will illuminate when selected. The estimated cycle time will also appear in the Status Window display.

AUTO

The Smart Sensor technology will determine the type of cycle required to clean the dishes and will clean more efficiently every time. When a partial load of lightly soiled dishes are placed in the unit, a wash cycle similar to a short wash will automatically be performed. When a full load of heavily solid dishes are placed in the unit, a **HEAVY** wash cycle will automatically be performed. Water usage ranges from approximately 3.0 to 7.4 gallons. Wash time ranges from approximately 118 to 200 mins.

Making a selection

To make a selection, press the desired cycle or option pad on the control panel. The LED light above the selection will turn ON when a cycle or option is selected and will turn OFF when it is deselected.

HEAVY

For pots, pans, casserole dishes and dinnerware with dried-on or baked-on soils. Water usage ranges from approximately 7.1 to 8.1 gallons. Wash time ranges from approximately 129 to 189 mins.

NORMAL

For regularly soiled dishes and silverware. Water usage ranges from approximately 3.0 to 7.4 gallons. Wash time ranges from approximately 118 to 200 mins.

ECO

For lightly soiled and pre-rinsed dishes and silverware. Water usage ranges from approximately 4.3 to 7.7 gallons. Wash time ranges from approximately 86 to 93 mins.

RINSE

For rinsing dishes that will be washed later. Water usage is approximately 2.2 gallons. Cycle time is approximately 15 mins.

8 Controls and Settings

FAVORITE

This cycle allows you to program your preferred cycle and options into one button. To program this cycle, select the cycle and options you desire. Then, press and hold the **FAVORITE** pad until the LED light above the pad turns ON. The selected cycle and all options are saved as **FAVORITE** and will illuminate when the **FAVORITE** cycle is selected. Once programmed, simply press the **FAVORITE** pad to select the saved cycle and options, press **START** and close the door immediately to start your cycle.

FAST

For regularly soiled and pre-rinsed dishes and silverware. Water usage is approximately 4.5 gallons. Wash time is approximately 30 mins.

UPPER

For lightly soiled and pre-rinsed dishes and silverware when you do not have a full load. Water usage is approximately 3.5 to 4.3 gallons. Wash time ranges from approximately 52 to 128 mins.

STEMWARE

For regularly soiled China and Crystal. Water usage is approximately 4.9 gallons. Wash time ranges from approximately 96 to 116 mins.

Option selections



HI TEMP

When **HI TEMP** option is selected, the dishwasher heats water in the main wash to approximately 140°F (60°C).

This increase in water temperature helps dishwasher detergent remove food, grease and soil from dishes more effectively and aids in drying. **HI TEMP** option can only be used with **AUTO, HEAVY, NORMAL** and **UPPER** cycles.

SANITIZE

To sanitize your dishes and glassware, select the **SANITIZE** option. This option heats the water temperature in the final rinse to 157°F (69.4°C) and maintains that temperature for 7 minutes. **SANITIZE** is available in **AUTO, HEAVY,** and **NORMAL** cycles. Only these sanitization cycles have been designed to meet NSF requirements.

The cycle time will be extended until the proper water temperature is reached. Washing action will continue during the water heating delay. For best results, the incoming water temperature should be at least 120°F (49°C).

If the **SANITIZE** option is selected, the pad illuminates with a blue light. The sanitization criteria may not be satisfied if there is an interruption of the cycle, a power failure occurs, or if incoming water temperature is below 120°F (49°C).

The **SANITIZE** pad will flash at the end of the cycle if the NSF requirements for sanitization are not reached.

AIR DRY

If the **AIR DRY** option is selected, the unit will not energize the heating element. This will reduce energy consumption, but will reduce drying performance. Items in the dish load may not be dry at the end of the cycle.

MAX DRY

MAX DRY is available on **AUTO, HEAVY, NORMAL, UPPER** and **STEMWARE** cycles. The cycle time will increase when **MAX DRY** option is selected.

Operation selections



Child Lock Controls

To prevent children from accidentally changing the dishwasher cycle or starting the dishwasher, lock the dishwasher controls by pressing **AIR DRY** and holding until the code “**Loc**” displays in the status window. The controls are locked and no new selections can be made until the lock is released. To unlock the controls, press **AIR DRY** again and hold until the code “**Loc**” is no longer displayed.

DELAY

The **DELAY** option allows you to automatically delay starting your dishwasher from 1-24 hours.

Select your desired cycle and options, then press the **DELAY** pad until the desired delay time displays in the status display window. The LEDs above the selected cycle and options will be illuminated. The status display window will show the delay time chosen and then show the message “**PRESS START**”.

To start the delay countdown, Press **START** and close door immediately.

The status window will display the message “**CLOSE**” after **START** has been pressed. A tone will sound indicating that countdown has started after the door is closed. The selected cycle starts when the countdown is completed.

START

When cycle and options are selected, the LEDs of the selected cycle and options are illuminated. The status window displays the cycle time and then displays the message “**PRESS START**”.

To start the cycle, press **START** and close the dishwasher door immediately.

The status window displays “**CLOSE**” after **START** has been pressed.

A tone will sound indicating the cycle has successfully started after the door is closed.

CANCEL

Both a running cycle and a delay countdown can be cancelled at any time. Open the dishwasher door and press **CANCEL**. A tone will sound indicating that the cycle has been successfully canceled.

If desired, a new cycle can now be selected, by pressing **START** and closing the door immediately, the new cycle will begin.

If you have selected your cycle and options and decide to cancel, press **CANCEL**, the unit will go into a stand-by mode and all LED lights will turn off.

Opening the door during operation



NOTE

Opening the door during normal operation will only pause the selected cycle.

If you open the door while a cycle is running or delay is counting down, the appliance stops.

The LEDs of selected cycle and options are illuminated. The status window displays the remaining cycle time or delay time and then displays “**PRESS START**”.

To resume, press **START** pad and close the dishwasher door immediately. The status window displays “**CLOSE**” after the **START** pad is pressed. A tone will sound indicating that the dishwasher continues from the point of interruption after the door closing.



NOTE

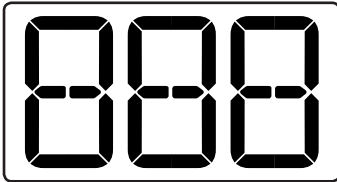
If the dishwasher door is kept open for too long, or the door is closed without pressing **START** pad, the running cycle or delay countdown may be cancelled.

10 Controls and Settings

Other features

Status window

Status window display codes are typically seen during the programming of the dishwasher. The status window will not illuminate while the unit is running.



The status window indicates the following activities:

1HR-24HR

Indicates number of delay start hours for selected cycle.

PRESS START

Scrolls across the status window indicating the **START** pad needs to be pressed.

CLOSE

Scrolls across the status window once the program has been entered and the **START** pad is pressed.

Loc

Child Lock is activated.

MIN

The cycle duration or the remaining time.

L1 - L4

Level of rinse aid dosage.

LOW RINSE

Refill Rinse Aid

CLEAN

End of cycle.

Green and blue light indicator

When the GREEN light illuminates on the floor this indicates that the wash cycle is complete.

When the BLUE light illuminates on the floor this indicates that the wash cycle is operating.

Display on floor

The display on floor indicates the following activities:



The cycle duration remaining time.



Remaining time of delay start



End of cycle



Error codes



NOTE

Racks and features in your dishwasher model may vary in appearance from illustrations in this manual.

Preparing the dishes

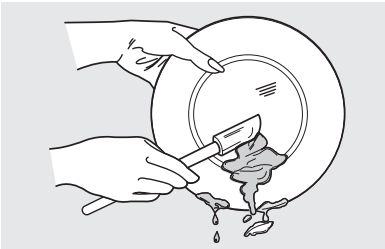
Scrape away large pieces of food, bones, pits, toothpicks, etc. The continuously filtered wash fluid will remove remaining food particles. Burned-on foods should be loosened before loading. Empty liquids from glasses and cups.

Foods such as mustard, mayonnaise, vinegar, lemon juice and tomato based products may cause discoloration of stainless steel and plastics if allowed to sit for a long period of time. Unless the dishwasher is to be operated at once, it is best to pre-rinse or use the **RINSE** cycle to rinse off these food soils.

Load racks so that large items do not prevent the detergent dispenser from opening.

Check manufacturer's recommendations before washing items in question.

If the dishwasher drains into a Food Disposer, be sure disposer is completely empty before starting dishwasher.

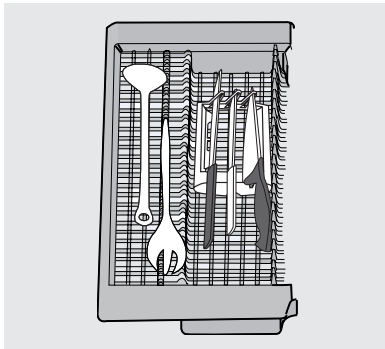
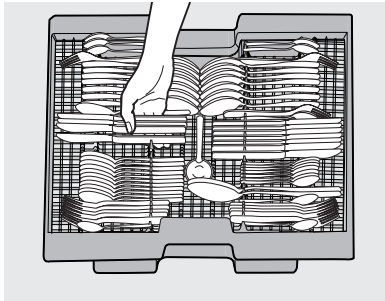
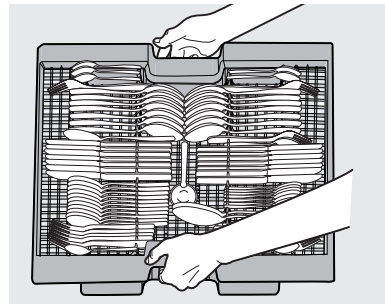


Loading the dishes

Loading the cutlery rack

Features and appearance of racks and silverware basket may vary from your model.

The cutlery rack is designed for flatware and most cooking or serving utensils. Heavily soiled utensils or items with baked on foods should be placed in the upper rack or silverware basket for best washing performance. The separators on the cutlery racks help keep flatware separated to avoid damage and improve cleaning.



12 Operating Instructions

Loading the upper rack

Features and appearance of racks and silverware basket may vary from your model.

The upper rack is designed for flexibility in loading a wide variety of items including cups, glasses, stemware, small plates, bowls, etc.

- Load glasses and plastic items in upper rack only.
- Load items with open end facing down for better cleaning and draining.
- Long-handled knives and utensils can be placed in upper rack.

Be sure nothing protrudes through the bottom of the rack to block rotation of the spray arm.



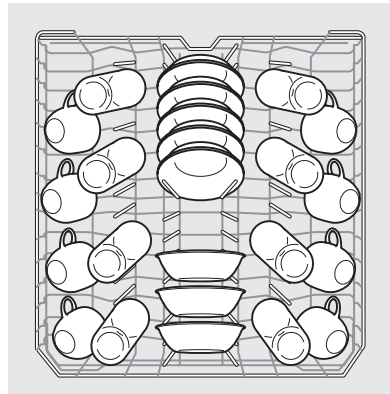
IMPORTANT

Make sure the loaded items do not interfere with the rotation of the spray arm. Check this by rotating the spray arm by hand.

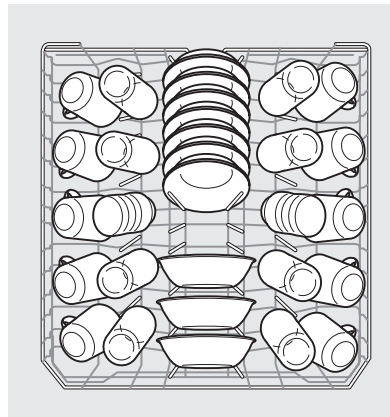


IMPORTANT

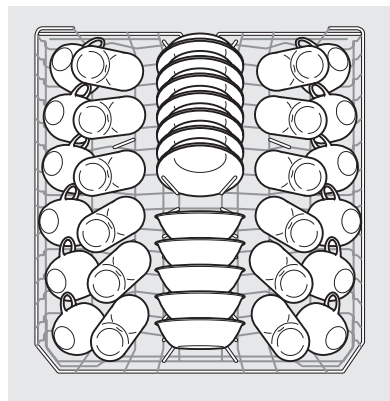
Damage may occur if delicate items touch each other during dishwasher operation.



8 place settings standard loading pattern



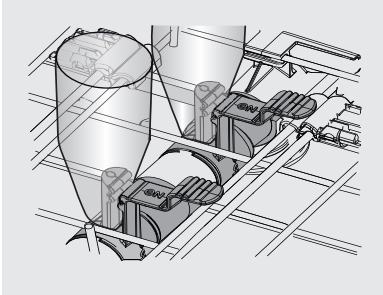
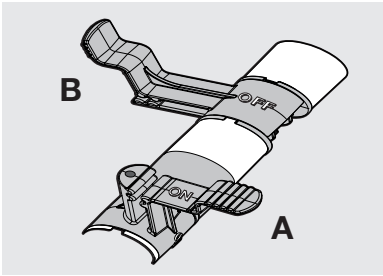
10 place settings standard loading pattern



12 place settings standard loading pattern

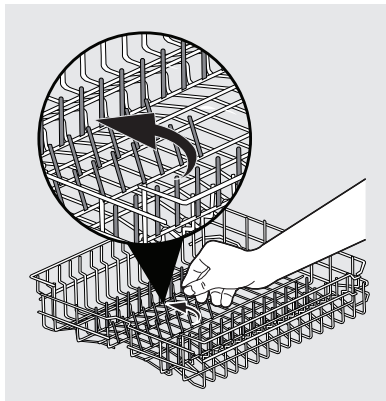
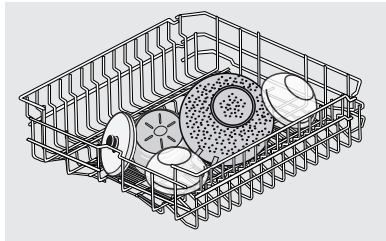
Flex wash

The Flex Wash system gives you the ability to wash the inside areas of baby bottles, narrow glassware and other items. To turn this feature on turn these clips to have them pointing upward (B). To turn off just slide them back down toward the rack (A). See images below.



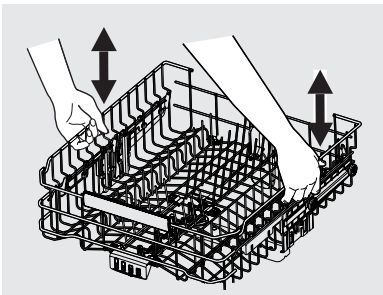
Fold-down tines for upper rack

The fold-down tines in the top and bottom racks makes it easy to load those extra large and hard-to-fit items. The tines may be left up for normal use or folded down for more flexible loading.



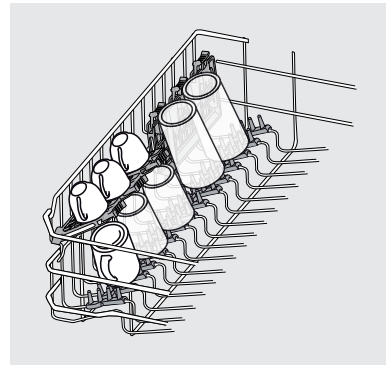
Adjusting the upper rack

The top rack height can be easily adjusted to accommodate loading taller dishes in either rack. To raise the rack to the upper position, lift rack until both sides are at the same height and the rack will secure in place. Ensure that the rack remains level from front to back with both sides at the same height. To lower rack lift the rack slightly then push down and release.



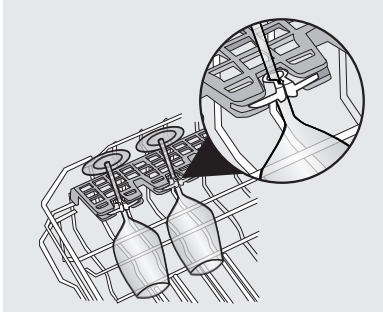
Cup shelf/stemware holders

The Cupshelf holder can be folded down to be used to load two levels of cups, juice glasses, and other short items or fold down both and use for long items such as utensils and spatulas. Fold up to load tall glasses.



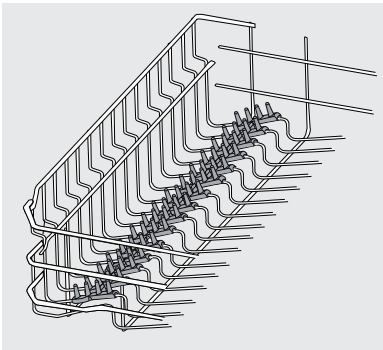
14 Operating Instructions

The Stemware holder is used to securely hold your wine glasses in place for the best wash. To properly secure you glass simply press the stem of the glass into the center of the Cupshelf the plastic pieces will secure around the stem to hold the glass in place.



Soft grip rack

The Soft Grip Rack is used to secure in place glassware and those plastic items that may move around with the water from the spray arm.



Loading the bottom rack

Features and appearance of racks and silverware basket may vary from your model.

The lower rack is best for plates, saucers, bowls, and cookware. Large items should be placed along the edge so they do not block the spray arm rotation.

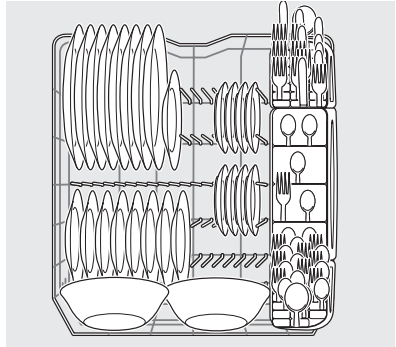
For best results, place bowls, casseroles, and sauce pans with soiled surface facing down or toward the center. Tilt slightly for better drainage.

Be sure pan handles do not protrude through the bottom of the rack and block the spray arm rotation.

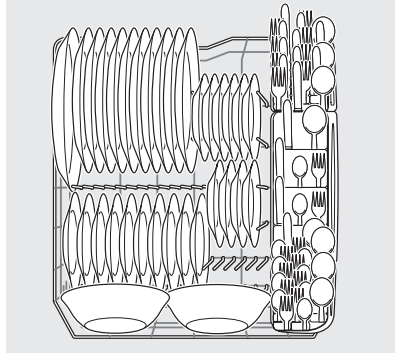


IMPORTANT

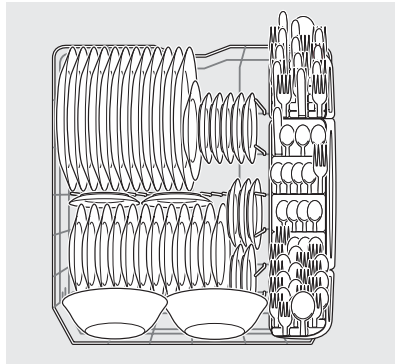
Make sure the loaded items do not interfere with the rotation of the spray arm. Check this by rotating the spray arm by hand.



8 place settings standard loading pattern



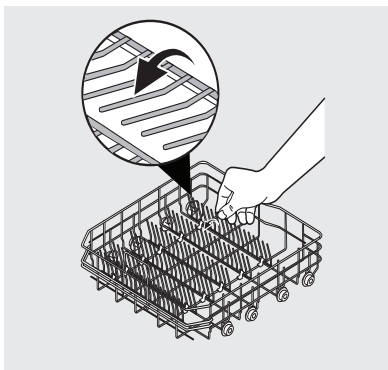
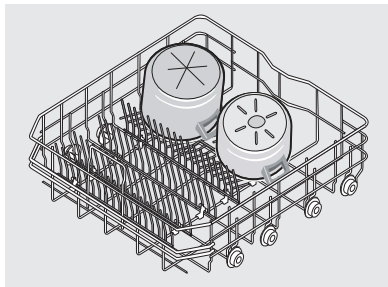
10 place settings standard loading pattern



12 place settings standard loading pattern

Fold-down tines lower rack

The fold-down tines in the top and bottom racks makes it easy to load those extra large and hard-to-fit items. The tines may be left up for normal use or folded down for more flexible loading.



Loading the silverware basket

Features and appearance of racks and silverware basket may vary from your model.



WARNING

Load sharp items (knives, skewers, etc.) pointing down. Failure to do so may result in injury.

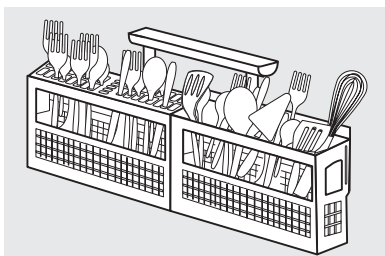
Load the silverware basket while it is in the bottom rack or take the basket out for loading on a counter or table.

In some models small items like baby bottle caps, jar lids, corn cob holders, etc., can be placed in a covered section. Close the cover to hold small items in place.

Use suggested loading patterns, as shown, to increase washability of the silverware.

Be sure nothing protrudes through bottom of basket or rack to block the spray arm.

Do not mix silver and stainless to avoid damaging the silver finish.

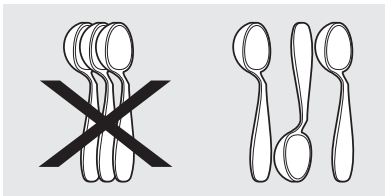


When covers are up, mix items in each section of the basket with some pointing up and some down to avoid nesting. Water spray cannot reach nested items.



IMPORTANT

Make sure the loaded items do not interfere with the rotation of the spray arm. Check this by rotating the spray arm by hand.



Adding a dish

To add or remove items after wash cycle starts:

Unlatch door and wait a few seconds until wash action stops before opening.

Add the item. To resume cycle, press **START** and immediately close the door firmly to latch.

16 Operating Instructions

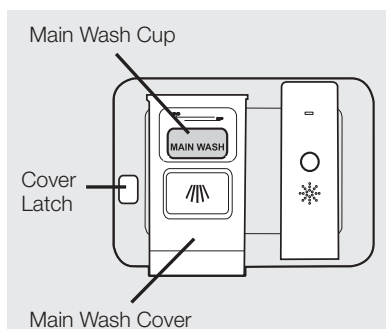
Dishwasher dispenser and detergents

Filing the detergent dispenser

The detergent dispenser has one covered cup. The covered cup opens automatically to release detergent.

To add detergent:

1. Press the dispenser cover latch to open the main wash detergent cup.
2. Add the recommended amount of detergent to the main wash cup.
3. Slide the main wash cover back over the main wash cup to close.



- Use only fresh automatic dishwashing detergent. Other detergents may cause oversudsing.
- When using automatic dishwashing detergent tabs, place one tab in main wash cup and close.
- Add detergent just before starting cycle.
- Store detergent in a cool, dry location. Moist or caked detergent may not dissolve properly.



NOTE

Hard water may cause lime deposit buildup on the interior of the dishwasher. For cleaning instructions see "Removing Spots and Film" section.



CAUTION

The use of industrial grade detergent can damage parts of the dishwasher leading to damage to the unit and surrounding property. Use only household grade automatic dishwasher detergent.

How much detergent to use

The amount of detergent to use depends on the water hardness. Water hardness is measured in grains per gallon. Using too little detergent can result in poor cleaning and hard water filming or spotting. Using too much detergent in soft water can cause etching to some glassware which is surface damage that appears like a film but cannot be wiped off. Your local water company, water softener company or county extension agent can tell you the water hardness in your area.



NOTE

Detergent tablets and All-In-One packs may not dissolve completely if used with the **FAST** cycles. If one of these products are used, place the tab or pack directly on the bottom of the tub in a corner before starting the dishwasher, rather than placing these products in the dispenser.



NOTE

To achieve the best results from your dishwasher, visit www.dishwashingexpert.com for general tips regarding the performance and operation of your dishwasher.

Dosage of detergent

Place a single detergent tablet or packet into the detergent dispenser compartment.

Detergent usage chart			
Water Hardness	Soft Water (0-3 grains)	Medium Hard Water (4-8 grains)	Hard Water (9-12 grains)
Amount (teaspoons)	4 teaspoons	6 teaspoons	8 teaspoons
Dispenser cup level:	first line	second line	full



NOTE

For very hard water, detergent alone may not be enough. A water softener is recommended to improve water quality and dishwashing performance. Try adding more detergent at the beginning of the main wash portion of the cycle. As a rule, use 1 teaspoon for each grain above 12. Unlatch the door, open slowly add detergent to the bottom of the tub. Close the door to latch and the dishwasher will continue through the cycle.

Filling the rinse aid dispenser

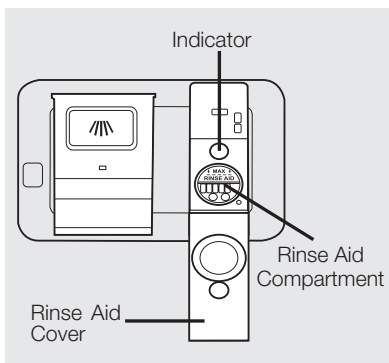
Rinse aid greatly improves drying, reduces water spots, filming, and lubricates wash arm bearing for proper rotation. With it water “sheets” off dishes rather than forming water droplets that cling and leave spots.

A dispenser, located next to the detergent cup, automatically releases a measured amount of rinse aid during the last rinse. If spotting and poor drying are problems, increase the amount of rinse aid dispensed. The indicator will be dark when full and the status window will show “**LOW RINSE**” when it is time to refill.

To add liquid rinse aid:

1. Lift up the rinse aid cover to open.
2. Fill the rinse aid dispenser with liquid rinse aid until the liquid reaches the indicated fill level. **DO NOT** overfill.
3. Press the rinse aid cover down firmly to close.
4. Wipe up any spills with a damp cloth.

The dispenser holds enough for 11 to 66 washes, depending on setting.



NOTE

Not selecting the **AIR DRY** option in combination with rinse aid will enhance drying performance. The energy required to use the **AIR DRY** option saves pennies per cycle. You may choose to select the **AIR DRY** option; however you will have items in your dish load that will not be completely dry at the end of the cycle.



NOTE

When using multi-product detergent tablets or All-In-One packs with a rinse aid component, the rinse aid dispenser should be set at the lowest setting (**L1**).

18 Operating Instructions

How to adjust the rinse aid setting

The rinse aid dosage setting is shown in the status window.



1. Press and hold **RINSE** for **5 seconds** until the status window shows the current rinse aid setting of **L1, L2, L3** or **L4**.
2. Press the **DELAY** pad to toggle through to the desired level. Once the rinse aid level reaches **L4**, the level will go back to **L1** and start the count over.
3. The selected setting will start blinking in the status window and a beeping sound will confirm that the setting is being saved.



NOTE

Set the rinse aid dispenser to the lowest setting (**L1**) when using multi-product detergents that have a rinse aid component added to the detergent.

Cleaning

Outside

Occasionally wipe with a mild nonabrasive detergent and water. Rinse and dry.

Care of drain air gap

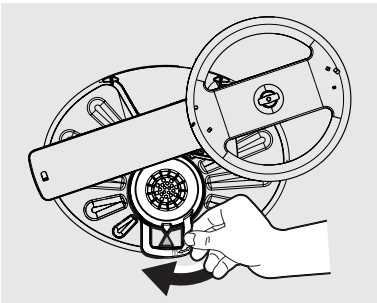
If a drain air gap was installed for your built-in dishwasher, check to make sure it is clean so the dishwasher will drain properly. A drain air gap is usually mounted on the counter top and can be inspected by removing the cover. This is not part of your dishwasher and is not covered by warranty.

Clean the cylinder fine filter

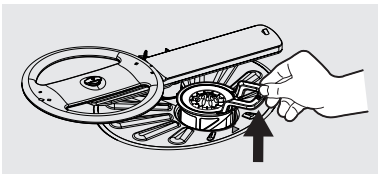
The Cylinder Fine Filter is designed to collect some big items such as broken glass, bones and pits. The Cylinder Fine Filter needs to be cleaned to maximize wash performance.

Remove the Cylinder Fine Filter as shown:

1. Rotate it counterclockwise.

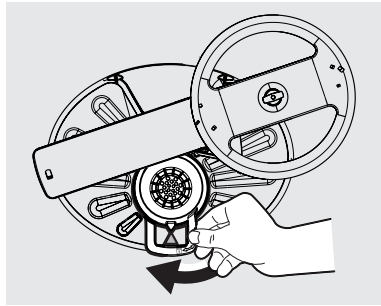


2. Lift it out and empty the contents.



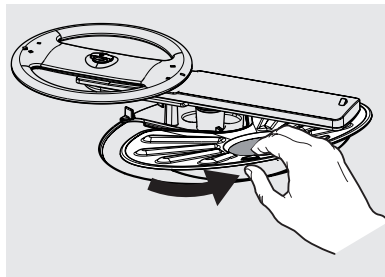
3. Clean the filter by rinsing under running water and replace. It may be necessary to use a sponge or bottle brush to remove excess food residue.

To replace the fine filter, press down and rotate clockwise until the arrows are aligned. A mechanical click will indicate that the filter is firmly in place.



Clean the coarse filter

Take out the Cylinder Fine Filter and remove the Coarse Filter from the dishwasher tub bottom. Flush the Coarse Filter by holding it under running water and replace.



Winterizing

A dishwasher left in an unheated place should be protected from freezing. Have a qualified person do the following.

To Disconnect Service:

1. Turn off electrical power to the dishwasher at the supply source by removing fuses or tripping circuit breaker.
2. Shut off water supply.
3. Place a pan under the inlet valve. Disconnect water line from the inlet valve and drain into pan.
4. Disconnect drain line from pump and drain water into pan.

To Restore Service:

1. Reconnect the water, drain, and electrical power supply.
2. Turn on water and electrical power supply.
3. Fill detergent cup and run the dishwasher through a **HEAVY** wash cycle.
4. Check connections to make sure they do not leak.



CAUTION

Freezing temperatures may cause water lines to rupture. Be sure all supply lines to and circulating lines within your dishwasher are protected. Failure to do so could result in property damage.



NOTE

See Installation Instructions for more details.

Normal operating sounds

Your dishwasher uses energy efficient motors for the wash and drain portions of the cycle you select. Each cycle has a series of water fills and drains for washing and rinsing dishes. As each cycle begins, you may or may not hear the drain motor. You may also hear the splashing of water as it enters the tub and the spray arms as they rotate and circulate water. The wash motor often pulsates throughout the cycle, which varies water pressure and optimizes performance.

Normal operating lights

Your dishwasher pad lights when either the cycle or option desired is selected. All cycle and option pads have a white back light when the pads are deselected and turn blue when selected. In delay selection and rinse aid setting, the deselected pads are turned off.



NOTE

If the dishwasher door is opened while the unit is running, the START/CANCEL pad must be pressed and the door shut immediately to return the unit to the selected cycle and option. This must happen within 10 minutes for the unit to continue the cycle.

Removing spots and film

Hard water can cause lime deposit buildup on the interior of the dishwasher. Dishes and glasses may also get spots and film for a number of reasons. (See Glassware/ Flatware Spotted or Cloudy section). To remove buildup, and film, clean using the following instructions:

1. Load clean dishes and glasses in normal manner. Do not load any metal utensils or silverware.
2. Do not add detergent.
3. Select the **NORMAL** cycle. Press **START**. Close and latch the door.
4. Allow dishwasher to run until it starts the second water fill (approximately 10 minutes).

5. Unlatch and open door and pour 2 cups of white vinegar into the bottom of dishwasher.
6. Press **START**. Close and latch door and allow cycle to finish.

Factors affecting performance

Water Pressure

The hot water line to dishwasher must provide water pressure between 20 and 120 psi.

Low water pressure may occur when laundry or showers are in operation. If you experience poor wash performance you may need to wait until water use is reduced before starting dishwasher.

Water temperature

Hot water is needed for best dishwashing and drying results. Water entering dishwasher should be at least 120°F (49°C) to give satisfactory results.

To check water temperature entering dishwasher:

- Turn on hot water faucet nearest dishwasher for several minutes to clear cool water from pipes.
- Hold a candy or meat thermometer in the water stream to check the temperature.
- If temperature is below 120°F (49°C), have a qualified person raise the hot water heater thermostat setting.



NOTE

Before starting a cycle, run hot water to clear cool water from pipes.

22 Troubleshooting

User Instruction Code

USER CODE	PROBLEM	SOLUTION
CLOSE	This indicates the door has been left open or not properly latched.	Ensuring the door is properly latched will clear the display. This does not indicate a problem with your dishwasher and service will not need to be contacted.

Error codes

ERROR CODE	PROBLEM	SOLUTION
i10	A low fill has been detected.	Look for a pinched water supply line, or water shutoff is not completely opened.
i20; i40; iF0	Clogged filters or a restricted drain line has been detected.	Check and clean both filters and sump area and check for a pinched or blocked drain hose. If the drain line is attached to a disposer, check that the knockout plug has been removed.
i30	A leak or overflow of water has been detected in the bottom pan.	Look for loose connections at the water inlet valve and ensure the unit is properly leveled.
i50	A problem has been detected with the drain or wash motor.	Pressing the cancel button or turning power off at the breaker for 5 min. should clear this error code and the unit can be restarted.
i60	A problem has been detected with the water heating system.	If this does not resolve the problem, service will need to be called.
iC0	A problem has been detected with the electronic control system.	

*In all Error code instances, if Pressing the cancel button or turning power off at the breaker for 5 min. does not resolve the problem, contact the Electrolux Customer Care Center at 1-877-435-3287.

Before calling

Before calling for service, review this list. It may save you both time and expense. This list includes common experiences that are not the result of defective workmanship or material in your dishwasher.

To achieve the best results from your dishwasher, visit www.dishwashingexpert.com for general tips regarding the performance and operation of your dishwasher.

PROBLEM	POSSIBLE CAUSES/SOLUTIONS
Food soils left on dishes	<ul style="list-style-type: none"> • Choose another cycle for longer washing time. • Choose the HI TEMP wash option. • Check rack loading section for proper loading • Avoid nesting items. • Home water pressure may be too low-should be 20 to 120 pounds per square inch (psi). • Check incoming water temperature. It should be about 120°F (49°C). (See Factors Affecting Performance.) • Check water hardness. For extremely hard water, it may be necessary to install a water softener. (See Detergent Chart). • Use Fresh Detergent. • Make sure items are not blocking the spray arms, preventing them from rotating.
Dishes not dry	<ul style="list-style-type: none"> • Select heat dry option. • Make sure the rinse aid dispenser is filled. • Increase the discharge setting of rinse aid. (See Rinse Aid). • Check the incoming water temperature. Be sure it is at least 120°F (49°C). • Check for proper loading-avoid nesting items. • Plastic items may need to be towel dried. • Cups with a concave bottom will collect water. Load them at the far left of the upper rack so they will be held in a tilted position.
Glassware/flatware spotted or cloudy	<ul style="list-style-type: none"> • Check water hardness. For extremely hard water, it may be necessary to install a water softener. (See Detergent Chart). • Water temperature may be low. Avoid extremely low or high temperatures. (See Factors Affecting Performance.) • Avoid overloading and improper loading. (See Preparing And Loading the Dishes). • Use fresh detergent. Old detergent is ineffective. • Make sure rinse aid dispenser is filled. • Check to see that proper amount of detergent is being used for cycle selected. Also, check phosphate level. (See Detergent Dispenser.) • Home water pressure may be too low - it should be 20 to 120 pounds per square inch (psi).

24 Troubleshooting

PROBLEM	POSSIBLE CAUSES/SOLUTIONS
Dishware chipped	<ul style="list-style-type: none">• Load with care and do not overload. (See Preparing and Loading Dishes).• Place delicate items in top rack.• Place glasses securely against pins and not over pins.• Load items so they are secure and don't jar loose when moving racks in and out. Move racks in and out slowly.• Make sure tall glasses and stemware will clear top of tub when rack is pushed in.
Water in bottom of tub	<ul style="list-style-type: none">• Water left in the tub bottom after the cycle is complete is not normal. If water remains in the bottom of the tub, the dishwasher may not be draining properly. (See Dishwasher does not drain properly).
Dishware stained or discolored	<ul style="list-style-type: none">• Tea and coffee can stain cups. Remove the stains by hand washing in a solution of 1/2 cup (120 ml) bleach and one quart (1L) of warm water. Rinse thoroughly.• Iron deposits in water can cause a yellow or brown film. A special filter installed in the water supply line will correct this problem. (See Removing Spots and Film).• Aluminum utensils can leave gray/black marks when they rub against other items. Load Properly.• Certain high acid foods can cause discoloration of stainless steel and plastics if allowed to sit for a long period. Use the RINSE cycle or rinse by hand if not operating dishwasher at once.• Mixing stainless steel and silver utensils in silverware basket can cause pitting of the stainless steel blades. Avoid mixing stainless steel and silver.
Cycle takes a long time	<ul style="list-style-type: none">• Is cycle in a water heating delay?• Has the DELAY option been selected?• Has the SANITIZE option been selected?
Normal sounds you will hear	<ul style="list-style-type: none">• Normal sounds include water fill, water circulation and motor sounds.
Dishwasher leaks	<ul style="list-style-type: none">• Use only fresh detergent designed for automatic dishwashers. Measure detergent carefully. Try a different brand.
Etching	<ul style="list-style-type: none">• Using too much detergent especially in soft or softened water causes damage that looks like a film but cannot be removed.• Adjust the amount of detergent based on the water hardness. (Check Detergent Chart).• Lower the water temperature.
Detergent left in dispenser cup	<ul style="list-style-type: none">• Detergent may be old. Discard and use fresh detergent.• Be sure the dish load doesn't block spray from entering the detergent cup.• Check to see if cycle has been completed.• Make sure items do not prevent the detergent dispenser from opening.

PROBLEM	POSSIBLE CAUSES/SOLUTIONS
Vapor at vent	<ul style="list-style-type: none"> • Water vapor escapes from the vent during the drying part of cycle. This is normal. • Spilled rinse aid can cause foam and lead to overflowing. Wipe up any spills with a damp cloth. • Check to see that dishwasher is level. (See Installation Instructions).
Dishwasher won't run or fill (error code i10)	<ul style="list-style-type: none"> • Check to see if circuit breaker is tripped or if a fuse is blown. • Check that the water supply is turned on and the pressure of the water supply is not too low. (Contact your local water company). • Check that the water tap is open and is not clogged. • Check that the cycle is set correctly. (See Operating Instructions). • Check that the dishwasher is not set for DELAY. • Check that the door is closed and latched. • Check to that the filter in the inlet hose is not clogged and is free of kinks and bends.
Dishwasher does not drain properly (error code i20)	<ul style="list-style-type: none"> • If unit is hooked up to a food waste disposer, make sure the disposer is empty. • Check to see if the knockout plug has been removed from inside the food waste disposer inlet. • Check the sink spigot is not clogged. • Check to see if drain hose is free of kinks and bends. • Check to see if the cycle is complete, not in a pause.
Dishwasher has an odor	<ul style="list-style-type: none"> • Soiled dishes left in dishwasher too long can create an odor. Use the RINSE cycle. • There will be a "new" smell when first installed. This is normal. • Check to see if unit is draining properly. (See Dishwasher Does Not Drain Properly).
Stains on tub interior	<ul style="list-style-type: none"> • Washing large amounts of dishware with tomato based soil can cause a pink/orange appearance. This will not affect performance and will gradually fade over time. Pre-rinsing or using the RINSE cycle will reduce the chance of staining. Using no heat dry option will lessen staining.

26 Limited Warranty

Your appliance is covered by a one year limited warranty. For one year from your original date of purchase, Electrolux will repair or replace any parts of this appliance that prove to be defective in materials or workmanship when such appliance is installed, used, and maintained in accordance with the provided instructions. The stainless tub and door liner of your appliance are covered by a lifetime limited warranty. During the lifetime of the appliance, Electrolux will provide a replacement stainless tub or door liner that fails to contain water due to a defect in materials or workmanship if the appliance is installed, used, and maintained in accordance with the provided instructions. In addition, the dishwasher racks and the electronic control module of your appliance are covered by a two through five year limited warranty. During the 2nd through 5th years from your original date of purchase, Electrolux will provide a replacement dishwasher rack or electronic control module for your appliance which has proven to be defective in materials or workmanship when such appliance is installed, used, and maintained in accordance with the provided instructions.

Exclusions:

This Warranty does not cover the following:

1. Products with original serial numbers that have been removed, altered or cannot be readily determined.
2. Product that has been transferred from its original owner to another party or removed outside the USA or Canada.
3. Rust on the interior or exterior of the unit.
4. Products purchased "as-is" are not covered by this warranty.
5. Food loss due to any refrigerator or freezer failures.
6. Products used in commercial setting.
7. Service Calls which do not involve malfunction or defects in materials or workmanship, or for appliances not in ordinary household use or used other than in accordance with the provided instructions.
8. Service Calls to correct the installation of your appliance or to instruct you how to use your appliance.
9. Expenses for making the appliance accessible for servicing, such as removal of trim, cupboards, shelves, etc., which are not part of the appliance when it is shipped from the factory.
10. Service calls to repair or replace appliance light bulbs, air filters, water filters, other consumables, or knobs, handles, or other cosmetic parts.
11. Labor or in-home service costs during the additional limited warranty periods beyond the first year from your original date of purchase.
12. Pickup and delivery costs; your appliance is designed to be repaired in the home.
13. Surcharges including, but not limited to, any after hour, weekend, or holiday service calls, tolls, ferry trip charges, or mileage expense for service calls to remote areas, including the state of Alaska.
14. Damages to the finish of appliance or home incurred during transportation or installation, including but not limited to floors, cabinets, walls, etc.
15. Damages caused by: services performed by unauthorized service companies; use of parts other than genuine Electrolux parts or parts obtained from persons other than authorized service companies; or external causes such as abuse, misuse, inadequate power supply, accidents, fires, or acts of God.

DISCLAIMER OF IMPLIED WARRANTIES; LIMITATION OF REMEDIES

CUSTOMER'S SOLE AND EXCLUSIVE REMEDY UNDER THIS LIMITED WARRANTY SHALL BE REPAIR OR REPLACEMENT AS PROVIDED HEREIN. CLAIMS BASED ON IMPLIED WARRANTIES, INCLUDING WARRANTIES OF MERCHANTABILITY OR FITNESS FOR A PARTICULAR PURPOSE, ARE LIMITED TO ONE YEAR OR THE SHORTEST PERIOD ALLOWED BY LAW, BUT NOT LESS THAN ONE YEAR. ELECTROLUX SHALL NOT BE LIABLE FOR CONSEQUENTIAL OR INCIDENTAL DAMAGES SUCH AS PROPERTY DAMAGE AND INCIDENTAL EXPENSES RESULTING FROM ANY BREACH OF THIS WRITTEN LIMITED WARRANTY OR ANY IMPLIED WARRANTY. SOME STATES AND PROVINCES DO NOT ALLOW THE EXCLUSION OR LIMITATION OF INCIDENTAL OR CONSEQUENTIAL DAMAGES, OR LIMITATIONS ON THE DURATION OF IMPLIED WARRANTIES, SO THESE LIMITATIONS OR EXCLUSIONS MAY NOT APPLY TO YOU. THIS WRITTEN WARRANTY GIVES YOU SPECIFIC LEGAL RIGHTS. YOU MAY ALSO HAVE OTHER RIGHTS THAT VARY FROM STATE TO STATE.

If You Need Service

Keep your receipt, delivery slip, or some other appropriate payment record to establish the warranty period should service be required. If service is performed, it is in your best interest to obtain and keep all receipts. Service under this warranty must be obtained by contacting Electrolux at the address or phone numbers below.

This warranty only applies in the USA, Puerto Rico and Canada. In the USA and Puerto Rico, your appliance is warranted by Electrolux Major Appliances North America, a division of Electrolux Home Products, Inc. In Canada, your appliance is warranted by Electrolux Canada Corp. Electrolux authorizes no person to change or add to any obligations under this warranty. Obligations for service and parts under this warranty must be performed by Electrolux or an authorized service company. Product features or specifications as described or illustrated are subject to change without notice.

USA

1-877-435-3287

Electrolux Home Products, Inc.,
North America
10200 David Taylor Drive
Charlotte, NC 28262



Electrolux

Canada

1-800-265-8352

Electrolux Canada Corp.
5855 Terry Fox Way
Mississauga, Ontario, Canada
L5V 3E4

electrolux.com/shop

