

BUILT-IN MICROWAVE

EW30S060QS

Featuring Wave-Touch® Electronic Controls



PRODUCT DIMENSIONS

Height	22-1/4"
Width	30"
Depth	21-11/16"

MORE EASY-TO-USE FEATURES

CONTROL LOCKOUT

To help avoid unwanted use.

900 WATTS

CERAMIC TURNTABLE

11 AUTO FEATURES

HIGH AND LOW METAL RACKS

PLATINUM STAR® LIMITED WARRANTY

Our exclusive limited warranty that includes a 3-year coverage on parts and one year on labor without charge.¹

Available in:



Stainless
(S)

¹Eligibility based on product registration with Electrolux North America within 60 days of purchase. Products must have been purchased on or after July 1, 2013. Coverage includes material parts for 3 years and labor for 1 year.

SIGNATURE FEATURES



WAVE-TOUCH® CONTROLS

One simple touch on your microwave and the control panel activates, showing the virtually endless cooking options. After you make your choices, all but the option selected will fade away, returning to an elegant display.



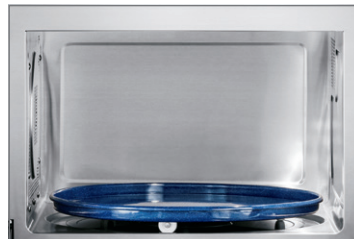
CONVECTION COOKING

Bake and brown your favorite foods with the convenience of a microwave and the performance of an oven — perfect for cooking everything for your family or gatherings.



MULTI-STAGE COOKING

Conveniently program your recipes that require multiple cooking stages for optimally prepared dishes.



EASY-TO-CLEAN INTERIORS

Premium non-stick coating for easy cleanup.

BUILT-IN MICROWAVE

EW30S060QS



30" BUILT-IN CONVECTION MICROWAVE

Oven Cavity	1.5 Cu.Ft.
Watts	900
Oven Interior	Stainless Steel
Interior Krypton Light	Yes
Ceramic Turntable	Cobalt Blue

CONTROL PANEL FEATURES

Wave-Touch® Electronic Controls	Yes
Convection Bake	Yes (100°-450° F)
VFD Front Display with Blue Indicators	Yes
Electronic Clock & Timer	Yes
Humidity Sensor	Yes
Power Levels	10
Touch Pad Controls	36
Auto-Defrost Options	6
Auto-Cook Options	4
Auto-Reheat Options	Yes
Sensor-Cook Options	12
Multi-Stage Cooking Options	4
Shortcut Options	4
Add 30 Seconds	Yes
Custom Help Options	Yes
Panel Lock	Yes
Demo Mode	Yes
Adjustable Sound Level For Timers/ Reminders	Yes
More/Less Function	

ADDITIONAL FEATURES

Signature Soft-Arc Handle Design	Yes
High and Low Racks	Yes
Glass Window	Yes

SPECIFICATIONS

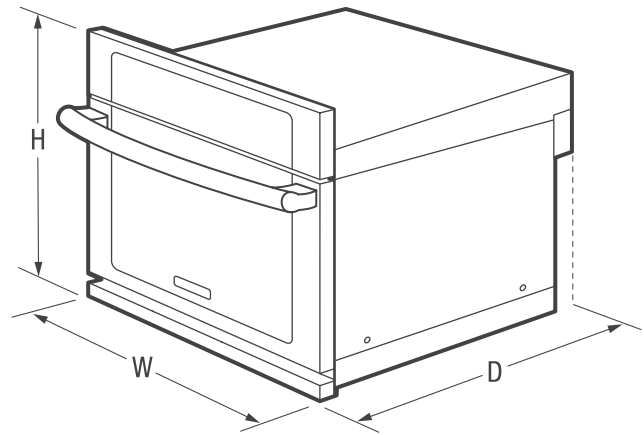
Color –	
Stainless Steel	S
Approved for Under-Counter Installation	
Approved for Electric Single Oven Combination Installation*	Yes
Power Supply Connection Location	Left Bottom Rear
Voltage Rating	120V/60Hz/15A
Connected Load (kW Rating) @ 120 Volts†	1.6
Amps @ 120 Volts	13.7
48" Electrical Cable	Included
Microwave – Watts @ 120 Volt input	1600
Convection – Watts @ 120 Volt input	1500
Frequency (MHz)	2450
Shipping Weight (Approx.)	124

† For use on adequately wired 120V, dedicated circuit having 2-wire service with a separate ground wire. Appliance must be grounded for safe operation.

* Approved to be used in combination with any Electrolux Electric Single Wall Oven and/or Warmer Drawer.

NOTE: Always consult local and national electric and gas codes. Refer to Product Installation Guide for detailed installation instructions on the web at electroluxappliances.com.

Specifications subject to change.



PRODUCT DIMENSIONS

Height	22-1/4"
Width	30"
Depth	21-11/16"
(with 90° Door Open)	36-11/16"

OVEN CAVITY DIMENSIONS

Height	9-5/8"
Width	16-1/8"
Depth	16-1/8"

Electrolux Major Appliances, N.A.

USA • 10200 David Taylor Drive • Charlotte, NC 28262 • 1-877-4electrolux (1-877-435-3287) • electroluxappliances.com
CANADA • 5855 Terry Fox Way • Mississauga, ON L5V 3E4 • 1-800-265-8352 • electroluxappliances.ca

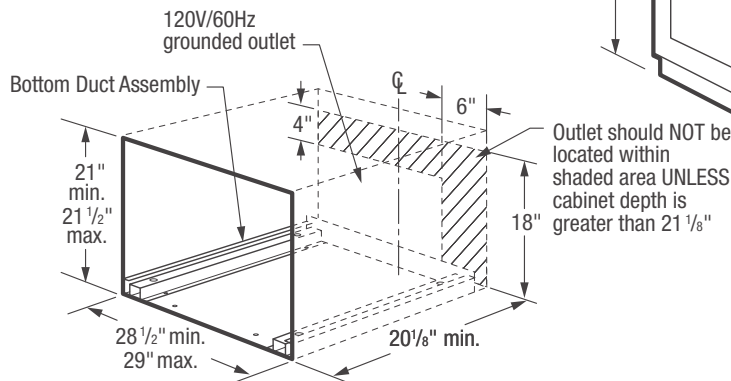
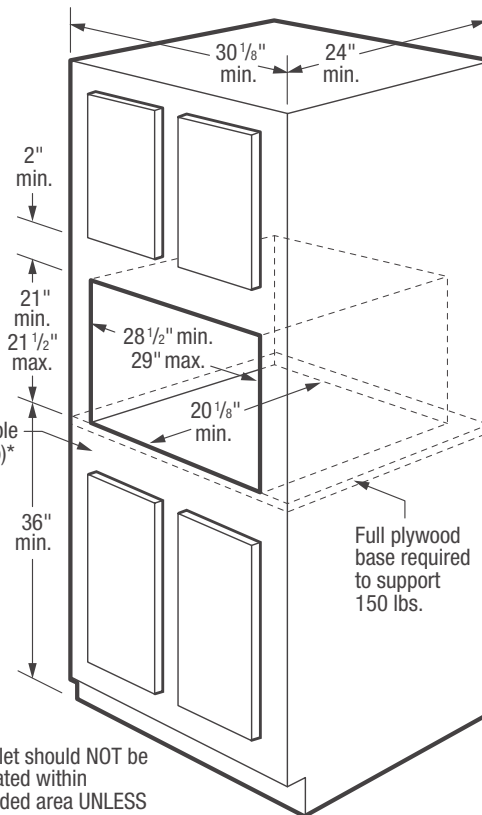
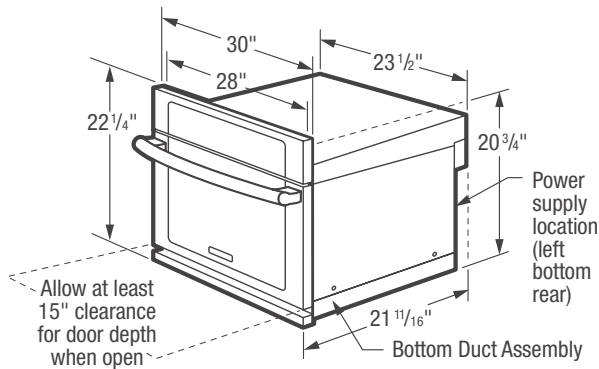
EW30S060Q 08/14

© 2014 Electrolux Home Products, Inc.



High standards of quality at Electrolux Home Products, Inc. mean we are constantly working to improve our products. We reserve the right to change specifications or discontinue models without notice.

***Note:** When used in combination with another Electrolux built-in product, a minimum clearance of 2 1/8" required from bottom of Built-In Microwave cutout to top edge of companion product's faceplate, leaving a 2" visible gap between both product faceplates.



30" Built-In Microwave Specifications

- Product Weight – 116 Lbs.
- Voltage Rating – 120V/60Hz/15 Amps
- Connected Load (kW Rating) @ 120 Volts = 1.6kW
(For use on adequately wired 120V, dedicated circuit having 2-wire service with a separate ground wire. Appliance must be grounded for safe operation.)
- Amps @ 120 Volts = 13.7 Amps
- Always consult local and national electric codes.
- Allow at least 15" clearance for oven door depth when open.
- Minimum required distance from floor is 36".
- Minimum 20-1/8" deep oven cutout dimension is critical for proper installation for oven and faceplate to fit flush against cabinet front.
- Full oven base of solid plywood or similar material required, capable of supporting 150 Lbs.

- Base must be level and cabinet front must be square.
- Grounded outlet should NOT be located in shaded area, as indicated, unless cabinet depth is greater than 21-1/8".
- Built-In Microwave is NOT approved to be used under counter.
- Built-In Microwave can be built in alone or is approved to be used in combination with any Electrolux Electric Single Wall Oven and/or Warmer Drawer. (Refer to model-specific Combination Installation Specification pages on web.)
- When used in combination with another Electrolux built-in product, a minimum clearance of 2-1/8" required from bottom of Built-In Microwave cutout to top edge of companion product's faceplate, leaving a 2" visible gap between both product faceplates.

Note: For planning purposes only. Refer to Product Installation Guide on the web at electroluxappliances.com for detailed instructions.

Electrolux Major Appliances, N.A.

USA • 10200 David Taylor Drive • Charlotte, NC 28262 • 1-877-4electrolux (1-877-435-3287) • electroluxappliances.com
 CANADA • 5855 Terry Fox Way • Mississauga, ON L5V 3E4 • 1-800-265-8352 • electroluxappliances.ca



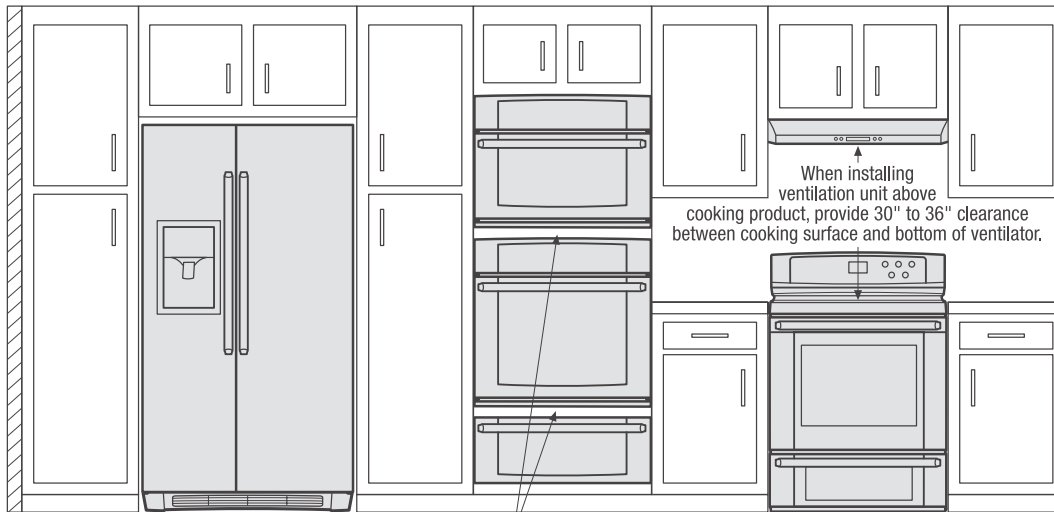
GENERAL INSTALLATION GUIDELINES

For Installation with Side-by-Side Refrigerator



Use these dimensions and clearance instructions for planning purposes only. For detailed installation instructions, refer to installation guide, packed with product, or on the web at electroluxappliances.com.

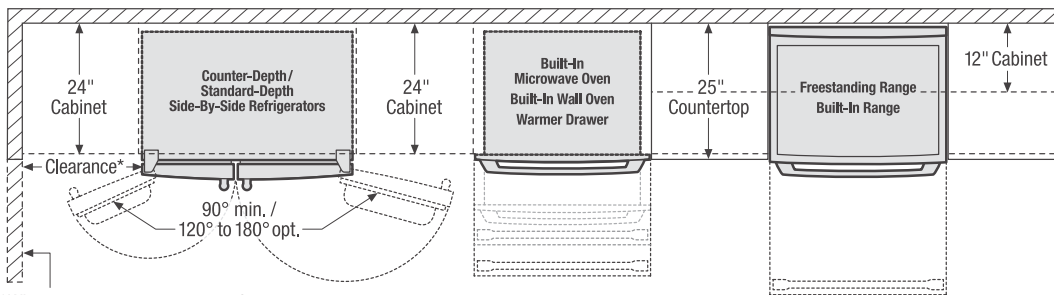
Front



When installing built-in cooking appliances in combination, 2"-high minimum visible gap between appliance faceplates required.

When installing ventilation unit above cooking product, provide 30" to 36" clearance between cooking surface and bottom of ventilator.

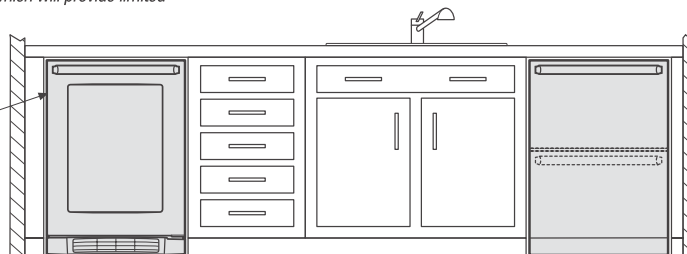
Top



*When installing side-by-side refrigerator adjacent to wall, cabinet or another appliance that extends beyond front edge of unit, 20" minimum clearance recommended to allow for optimum 120° to 180° door swing, providing complete drawer/crisper access and removal. (Absolute 4-1/2" minimum clearance will ONLY allow for 90° door swing which will provide limited drawer/crisper access with restricted removal.)

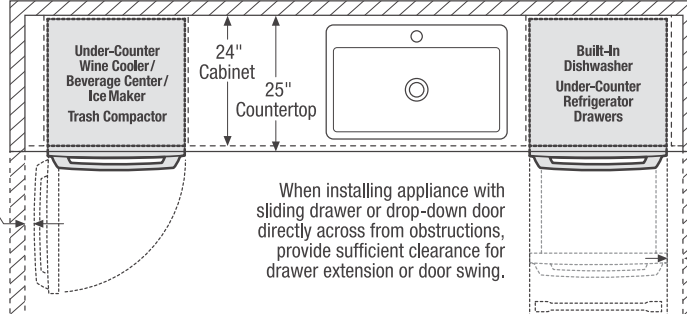
When installing appliance with sliding drawer or drop-down door directly across from obstructions, provide sufficient clearance for drawer extension or door swing.

Front



To ensure optimum performance, avoid installing refrigeration appliances in direct sunlight or near heat source.

Top



When installing appliance with side-swing door adjacent to wall, cabinet, or other obstruction that extends beyond front edge of appliance, door swing and handle clearance must be sufficient to allow access to appliance interior.

When installing appliance with sliding drawer or drop-down door directly across from obstructions, provide sufficient clearance for drawer extension or door swing.

When installing appliance with sliding drawer or drop-down door adjacent to wall, cabinet, or other obstruction that extends beyond front edge of appliance, allow 2" minimum clearance between drawer or door and obstruction.

Electrolux Major Appliances, N.A.

USA • 10200 David Taylor Drive • Charlotte, NC 28262 • 1-877-4electrolux (1-877-435-3287) • electroluxappliances.com
 CANADA • 5855 Terry Fox Way • Mississauga, ON L5V 3E4 • 1-800-265-8352 • electroluxappliances.ca

High standards of quality at Electrolux Home Products, Inc. mean we are constantly working to improve our products. We reserve the right to change specifications or discontinue models without notice.

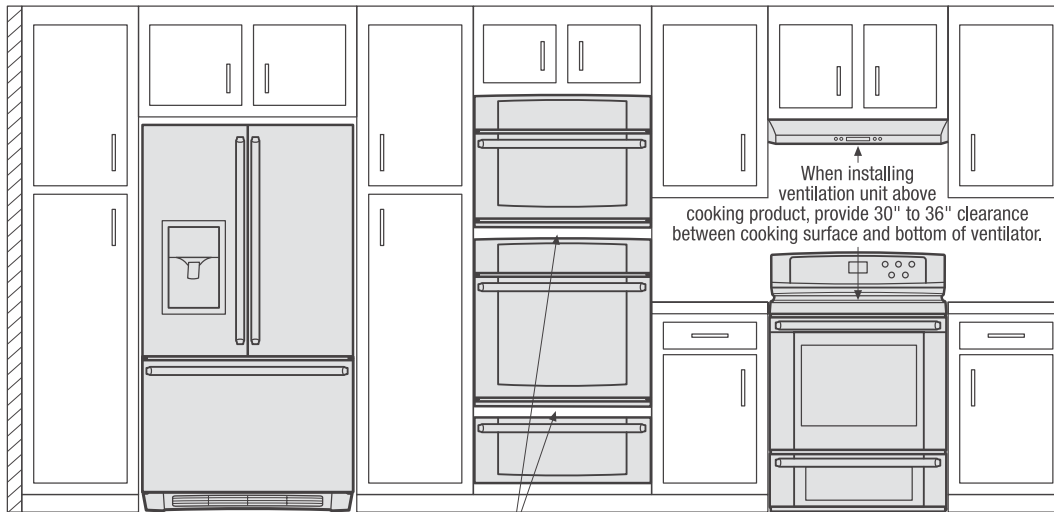
GENERAL INSTALLATION GUIDELINES

For Installation with French Door Refrigerator



Use these dimensions and clearance instructions for planning purposes only. For detailed installation instructions, refer to installation guide, packed with product, or on the web at electroluxappliances.com.

Front

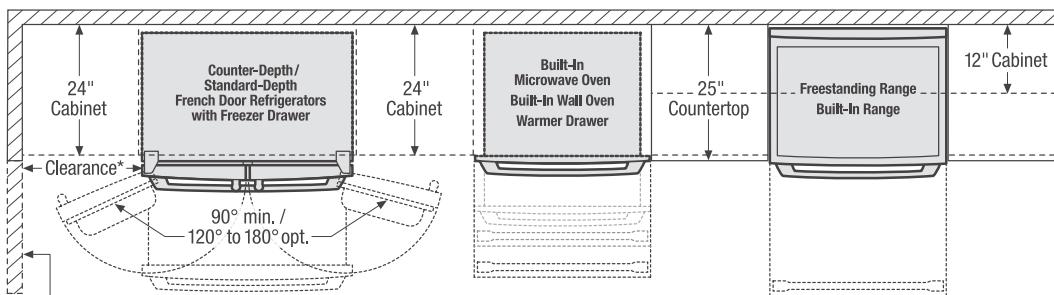


When installing built-in cooking appliances in combination, 2"-high minimum visible gap between appliance faceplates required.

When installing ventilation unit above cooking product, provide 30" to 36" clearance between cooking surface and bottom of ventilator.

Clearance information for cooking appliances, provided in specific product's installation guide.

Top

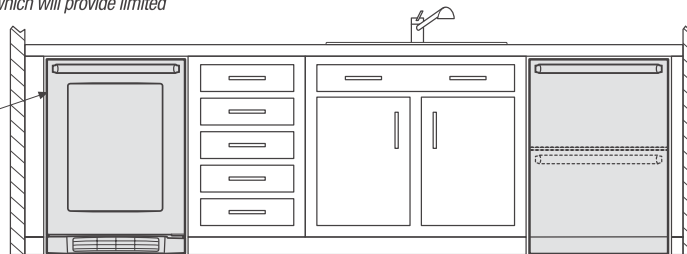


*When installing a French door refrigerator adjacent to wall, cabinet or another appliance that extends beyond front edge of unit, 20" minimum clearance recommended to allow for optimum 120° to 180° door swing, providing complete drawer/crisper access and removal. (Absolute 4-1/2" minimum clearance will ONLY allow for 90° door swing which will provide limited drawer/crisper access with restricted removal.)

When installing appliance with sliding drawer or drop-down door directly across from obstructions, provide sufficient clearance for drawer extension or door swing.

Front

To ensure optimum performance, avoid installing refrigeration appliances in direct sunlight or near heat source.

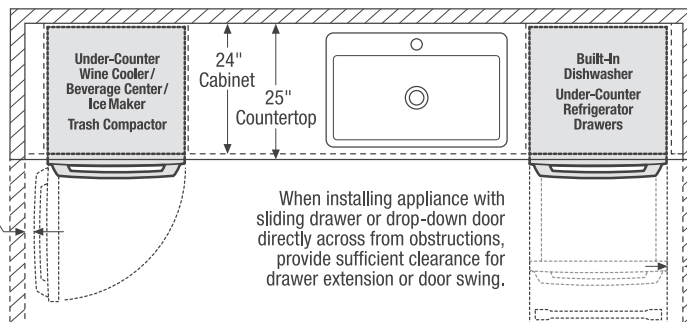


Top

When installing appliance with side-swing door adjacent to wall, cabinet, or other obstruction that extends beyond front edge of appliance, door swing and handle clearance must be sufficient to allow access to appliance interior.

When installing appliance with sliding drawer or drop-down door directly across from obstructions, provide sufficient clearance for drawer extension or door swing.

When installing appliance with sliding drawer or drop-down door adjacent to wall, cabinet, or other obstruction that extends beyond front edge of appliance, allow 2" minimum clearance between drawer or door and obstruction.



Electrolux Major Appliances, N.A.

USA • 10200 David Taylor Drive • Charlotte, NC 28262 • 1-877-4electrolux (1-877-435-3287) • electroluxappliances.com
 CANADA • 5855 Terry Fox Way • Mississauga, ON L5V 3E4 • 1-800-265-8352 • electroluxappliances.ca

High standards of quality at Electrolux Home Products, Inc. mean we are constantly working to improve our products. We reserve the right to change specifications or discontinue models without notice.

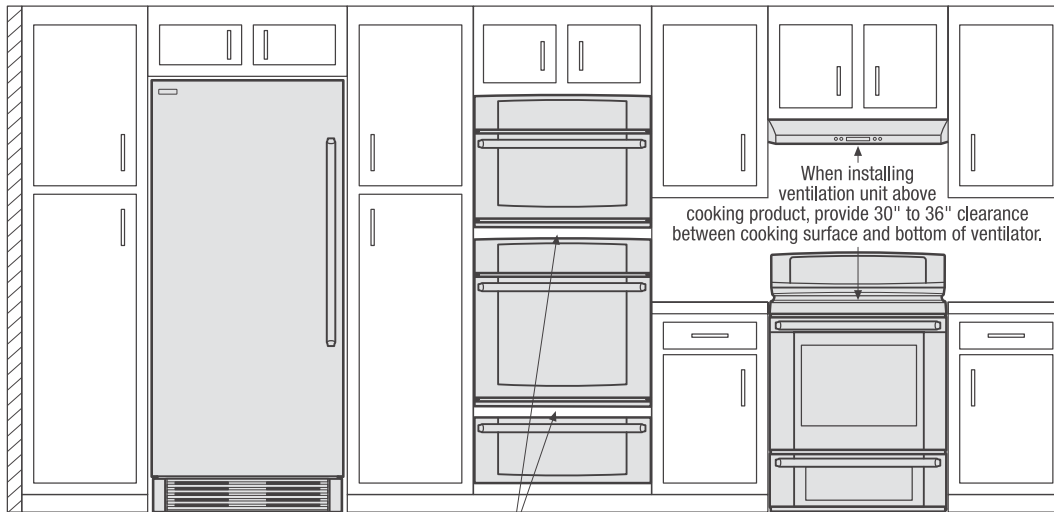
GENERAL INSTALLATION GUIDELINES

For Installation with All Refrigerator or All Freezer



Use these dimensions and clearance instructions for planning purposes only. For detailed installation instructions, refer to installation guide, packed with product, or on the web at electroluxappliances.com.

Front

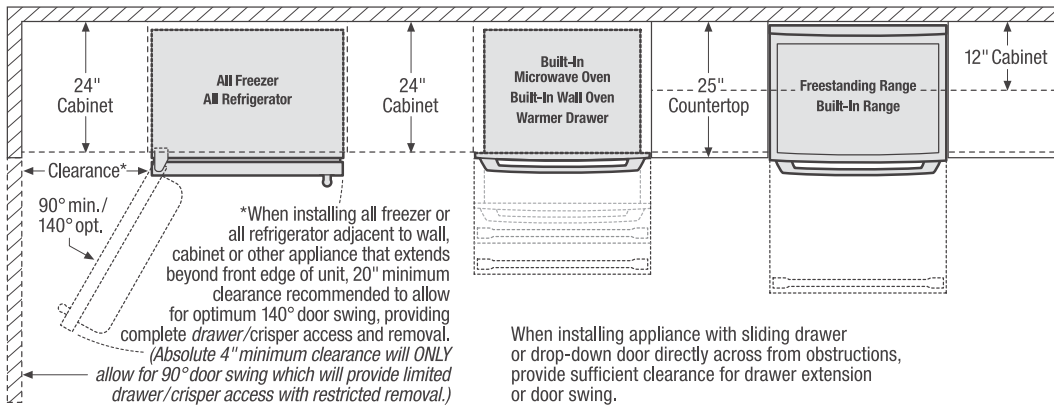


When installing built-in cooking appliances in combination, 2"-high minimum visible gap between appliance faceplates required.

When installing ventilation unit above cooking product, provide 30" to 36" clearance between cooking surface and bottom of ventilator.

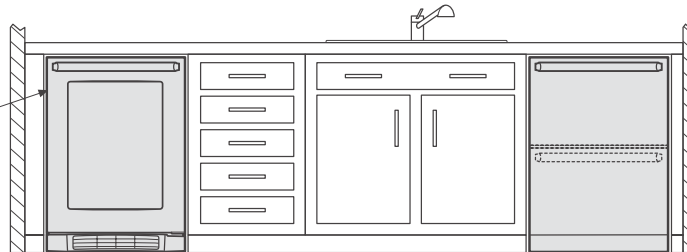
Clearance information for cooking appliances, provided in specific product's installation guide.

Top



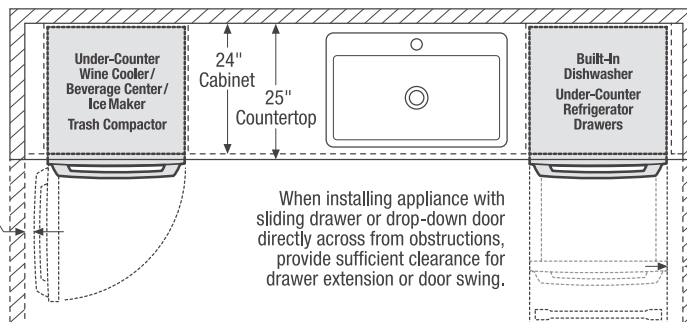
Front

To ensure optimum performance, avoid installing refrigeration appliances in direct sunlight or near heat source.



Top

When installing appliance with side-swing door adjacent to wall, cabinet, or other obstruction that extends beyond front edge of appliance, door swing and handle clearance must be sufficient to allow access to appliance interior.



When installing appliance with sliding drawer or drop-down door adjacent to wall, cabinet, or other obstruction that extends beyond front edge of appliance, allow 2" minimum clearance between drawer or door and obstruction.

Electrolux Major Appliances, N.A.

USA • 10200 David Taylor Drive • Charlotte, NC 28262 • 1-877-4electrolux (1-877-435-3287) • electroluxappliances.com
 CANADA • 5855 Terry Fox Way • Mississauga, ON L5V 3E4 • 1-800-265-8352 • electroluxappliances.ca

High standards of quality at Electrolux Home Products, Inc. mean we are constantly working to improve our products. We reserve the right to change specifications or discontinue models without notice.