

Built-In All Freezer

EI32AF65J S



Built-In Side-by-Side Configuration



Shown with companion, All-Refrigerator model EI32AR65JS and optional stainless steel 84" Louvered Trim Kit. (Double – PN# ECP8472SS)

Shown with optional stainless steel 72" Collar Trim Kit. (Single – PN# ECP7236SS)



Sure-2-Fit® Capacity

Our most usable space inside gives you plenty of space to stock up so you'll always have food on hand for an impromptu gathering.



Soft Freeze™ Bin

Perfect storage for things like ice cream or anything you want to keep frozen, but still soft for serving.



PureAdvantage® Air Filter

Keeps clean, filtered air circulated throughout to prevent odor transfer.



Luxury-Glide® Full-Width Freezer Drawers

Drawers glide out smoothly and fully extend, giving you easy access to what's inside.

19 CU. FT. BUILT-IN ALL FREEZER

Capacities	
Total Capacity	18.52 Cu. Ft.
Total Shelf Area	19.7 Sq. Ft.

Exterior	
Hidden Hinge Door Design	Yes
Signature Soft-Arc Handle Design	Yes

Features	
IQ-Touch™ Electronic Controls	Yes
Temp Alarm System	Yes
Door Ajar Alarm	Yes
Power Failure Alarm	Yes
PureAdvantage® Air Filtration	Yes
Adjustable Full-Width Glass Shelves (Silver Trim)	2
Luxury-Glide® Full-Width Bottom Basket	1
Luxury-Glide® Full-Width Mid-Level Baskets	2
Soft Freeze™ Bin with Tall Bottle Retainer	1
Clear Half-Width Adjustable Door Bin	4
Full-Width Door Bin	1
Luxury-Design® LED Lighting	Yes
Automatic Ice Maker	Yes
Door Closer	Yes
Luxury-Quiet™ Design	Yes
Air Filter Indicator	Yes
Electronic Control Lock	Yes

Additional Features	
ENERGY STAR®	Yes
Sabbath Mode (Star-K® Certified)	Yes

Accessories		
84" Louvered Trim Kits:	Single – PN# ECP8436SS	Optional
	Double – PN# ECP8472SS	Optional
72" Collar Trim Kits:	Single – PN# ECP7236SS	Optional
	Double – PN# ECP7272SS	Optional
79" Louvered/75" Collar Trim Kits ¹ :		
	Single – PN# TRIMKITSS1	Optional
	Double – PN# TRIMKITSS2	Optional

PureAdvantage® Air Filter Replacement Cartridge – PN# 241754001	Optional
---	----------

Specifications	
Color –	
Stainless Steel	S
Product Dimensions –	
Height (Cabinet)	70-5/8"
(Including Door)	71-3/8"
Width	32"
Depth (Including Door)	26-1/2"
(with 90° Door Open)	57-1/4"
Power Supply Connection Location	Right Bottom Rear
Water Inlet Location	Left Bottom Rear
Voltage Rating	120V/60Hz/20A
Connected Load (kW Rating) @ 115 Volts‡	0.55
Minimum Circuit Required (Amps)	20
Shipping Weight (Approx.)	255 Lbs.

[‡]An electrical supply with grounded three-prong receptacle is required. The power supply circuit must be installed in accordance with current edition of National Electrical Code (NFPA 70) and local codes & ordinances.

NOTE: Always consult local and national electric and plumbing codes. Refer to Product Installation Guide for detailed installation instructions on the web at electroluxappliances.com. Specifications subject to change.

Optional Trim Kits

84" Louvered Trim Kits

(ECP8436SS & ECP8472SS)

Designed as a replacement option for the Sub-Zero® brand 650 Series models and for new-build installation.

72" Collar Trim Kits

(ECP7236SS & ECP7272SS)

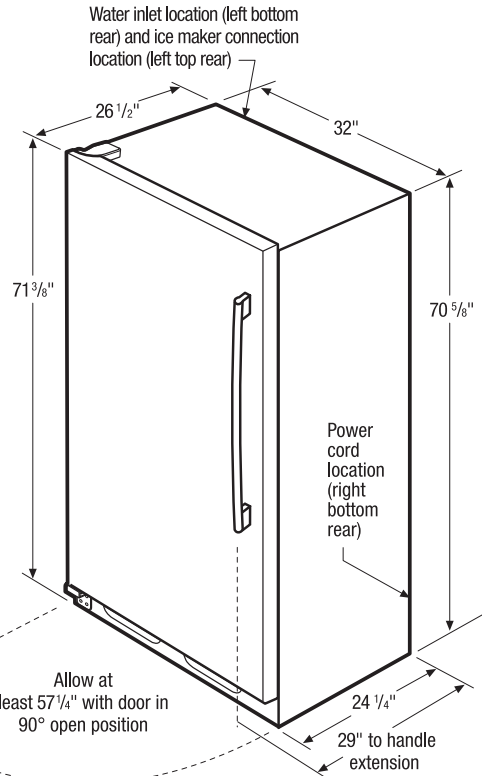
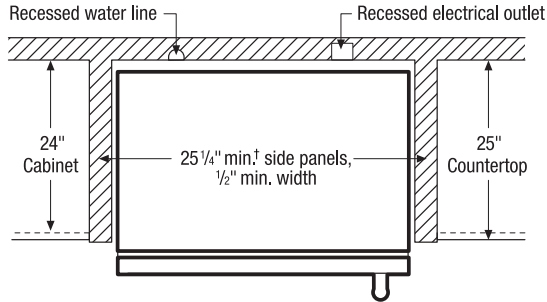
Designed as a replacement option for the Sub-Zero® brand 601 Series models and for new-build installation.

79" Louvered/75" Collar Trim Kits¹

(TRIMKITSS1 & TRIMKITSS2)

Designed as a replacement option for Electrolux ICON® brand models E32AR75FPS and E32AF75FPS and for new-build installation.

¹Kits are designed to fit either 79" or 75" opening height. For 79" cutout opening height, installation requires use of top louvered grille; for 75" cutout opening height, installation requires use of top trim piece and shortening of both side trim pieces. Sub-Zero® is a registered trademark of Sub-Zero, Inc.



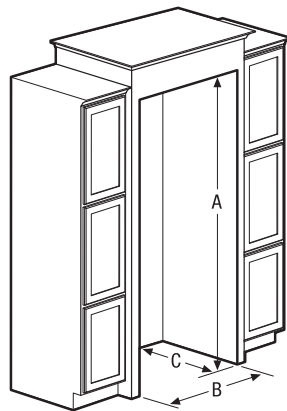
Optional Trim Kits

Optional Trim Kits available for built-in installation with All Refrigerator and/or All Freezer – requiring different cutout dimensions.

Designed as built-in replacement option for any model(s) having pre-existing opening(s) with same cutout dimensions as stated for specific Trim Kit or for new-build installation.

For Trim Kit specifications and drawings, refer to model-specific Trim Kit Installation pages on web for required cutout dimensions and installation planning information.

For detailed Trim Kit installation, refer to instructions packed with kit or on web.



84" Louvered Trim Kits

Single (PN# ECP8436SS)
Double (PN# ECP8472SS)

72" Collar Trim Kits

Single (PN# ECP7236SS)
Double (PN# ECP7272SS)

79" Louvered / 75" Collar Trim Kits

Single (PN# TRIMKITSS1)
Double (PN# TRIMKITSS2)

All-Freezer Cutout Dimensions

Built-In Installation (without optional Trim Kit)

Single Unit (A) 72" (B) 33" (C) 25 1/4" min.†
Double Unit (Side-by-Side) (A) 72" (B) 66" (C) 25 1/4" min.†

†Minimum depth from face of cabinet side panels and requires recessed electrical outlet and water line.

32" Built-In All-Freezer Specifications

- Product Weight – 245 Lbs.
- An electrical supply with grounded three-prong receptacle is required. The power supply circuit must be installed in accordance with current edition of *National Electrical Code (NFPA 70)* and local codes & ordinances.
- Voltage Rating – 120V/60 Hz/20 Amps
- Connected Load (kW Rating) @ 115 Volts = 0.55kW
- Amps @ 115 Volts = 5 Amps
- Always consult local and national electric & plumbing codes.
- Water line for ice maker can enter opening through floor or rear wall. Copper tubing recommended between cold water line and water connection location. Water line tubing recommended is 48" minimum length by 1/4" diameter. Installation of easily accessible shutoff valve in water line required.
- Minimum 25-1/4" depth requires recessed electrical outlet and copper water line.
- To allow for ease of installation, tape excess power cord to back of unit.
- To allow for ease of moving out side-by-side units after installation, 84" minimum length of coiled copper tubing recommended.
- When installing freezer adjacent to wall, cabinet or other appliance that extends beyond front edge of unit, 20" minimum clearance recommended to allow for optimum 140° door swing, providing complete drawer/crisper access and removal. (Absolute 4" minimum clearance will ONLY allow for 90° door swing which will provide limited drawer/crisper access with restricted removal.)
- Freezer must be placed on level surface of hard material, same height as flooring. Surface must support approximately 800 lbs. when fully loaded. Unit equipped with 4-point leveling.

"Built-In Look" Specifications

- Minimum opening of 72" H x 33" W x 25-1/4" D required for single-unit "Built-In Look" installation; 66" W required for double-unit installation. (72" H to be measured from finished floor to underside of soffit or overhead cabinet.)
- Remove all wall/floor molding prior to built-in installation.

Optional Trim Kit Specifications

For planning information, refer to model-specific Trim Kit Installation pages on web.

- Optional Trim Kits available for built-in installation with All Refrigerator and/or All Freezer – requiring different cutout dimensions.
- Designed as built-in replacement option for any model(s) having pre-existing opening(s) with same cutout dimensions as stated for specific Trim Kit or for new-build installation.
- Remove all wall/floor molding prior to built-in installation.
- For detailed Trim Kit installation, refer to instructions packed with kit or on web.

Note: For planning purposes only. Refer to Product Installation Guide on the web at electroluxappliances.com for detailed instructions.

Optional Accessories

- 84" Louvered Trim Kits:
Single – (PN# ECP8436SS), Double – (PN# ECP8472SS).
- 72" Collar Trim Kits:
Single – (PN# ECP7236SS), Double – (PN# ECP7272SS).
- 79" Louvered / 75" Collar Trim Kits:
Single – (PN# TRIMKITSS1), Double – (PN# TRIMKITSS2).
- PureAdvantage® Air Filter Replacement Cartridge – (PN# 241754001).

84" Louvered Trim Kits Installation

All Refrigerator / All Freezer (Sub-Zero® Brand 650 Series Replacement)



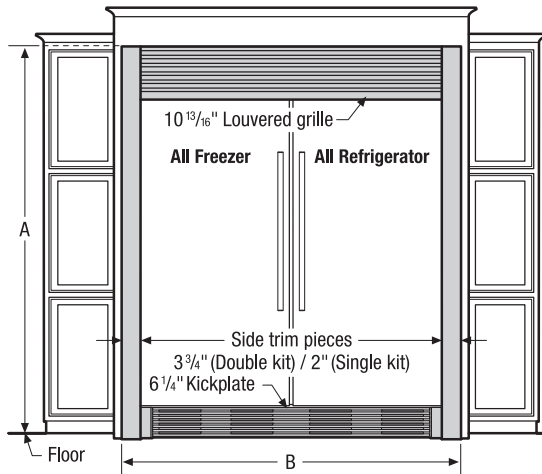
84" Single & Double Louvered Trim Kits for All Refrigerator and All Freezer

Designed for replacement installation of any built-in model(s) having pre-existing opening(s) with same cutout dimensions as stated below; or for new-build installation.

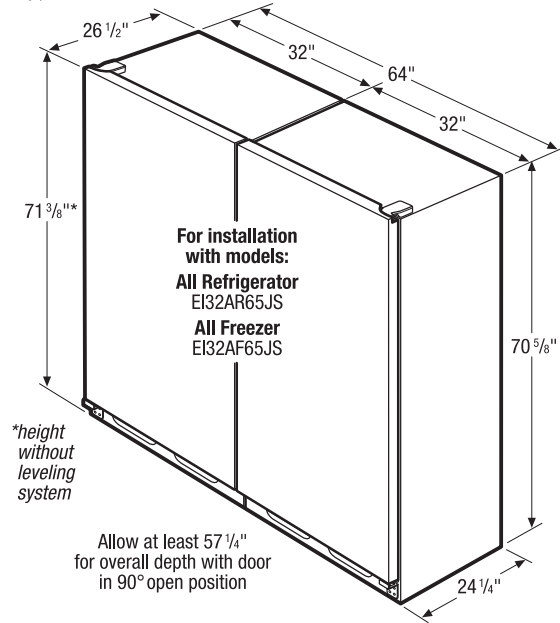
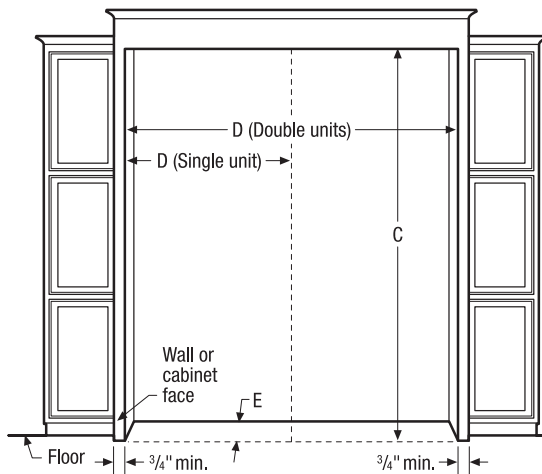
Kits Include:

Louvered grille, side and center trim pieces, kickplate, leveling system and hardware. (Center trim included with Double Trim Kit PN# ECP8472SS only.)

Single & Double Trim Kit Dimensions



Single & Double Cutout Dimensions



Single Trim Kit PN# ECP8436SS

Trim Kit Dimensions
(A) 83 13/16" (B) 36 3/16"

Cutout Dimensions
(C) 83 3/4" (D) 35 1/2"
(E) 24" min.†

Double Trim Kit PN# ECP8472SS

Trim Kit Dimensions
(A) 83 13/16" (B) 72"

Cutout Dimensions
(C) 83 3/4" (D) 71 1/2"
(E) 24" min.†

Leveling System

(2) per unit raises height 2 9/16" min. Only available with trim kits.

† Minimum depth from face of wall or cabinet side panels and requires recessed electrical outlet(s) and water line.

Installation Notes:

Trim kit attaches directly to unit(s) and can be secured to cutout opening. Double Trim Kit also includes hardware to secure side-by-side units together. Refer to detailed kit installation instructions packed with kit or on web.

84" Louvered Trim Kits Installation Specifications

- Louvered Trim Kits (PN# ECP8436SS & PN# ECP8472SS) are designed as built-in replacement options for Sub-Zero® brand 650 Series models when Trim Kits are installed with All Refrigerator and/or All Freezer models EI32AR65JS/EI32AF65JS into pre-existing cutout opening(s); or for new-build installation.
- To use Single Louvered Trim Kit (PN# ECP8436SS), an enclosure is required around All Refrigerator or All Freezer having an opening of 83-3/4" H x 35-1/2" W with minimum cabinet side panels of 24" D x 3/4" W.
- To use Double Louvered Trim Kit (PN# ECP8472SS), an enclosure is required around All Refrigerator and All Freezer having an opening of 83-3/4" H x 71-1/2" W with minimum cabinet side panels of 24" D x 3/4" W. (Double Trim Kit includes hardware to secure side-by-side units together.)

- Trim Kit attaches directly to unit(s) and can be secured to cutout opening.
- Minimum 24" depth requires recessed electrical outlet(s) and water line.
- Cabinet or soffit above unit must extend out to same depth as side panels.
- Clear, adequate floor space required for Trim Kit assembly.
- For detailed Trim Kit installation, refer to instructions packed with kit or on web.
- For detailed All-Refrigerator and/or All-Freezer installation, refer to model-specific product page(s) and installation guide(s) on web.

Note: For planning purposes only. Refer to Product Installation Guide on the web at electroluxappliances.com for detailed instructions.

72" Collar Trim Kits Installation

All Refrigerator / All Freezer (Sub-Zero® Brand 601 Series Replacement)



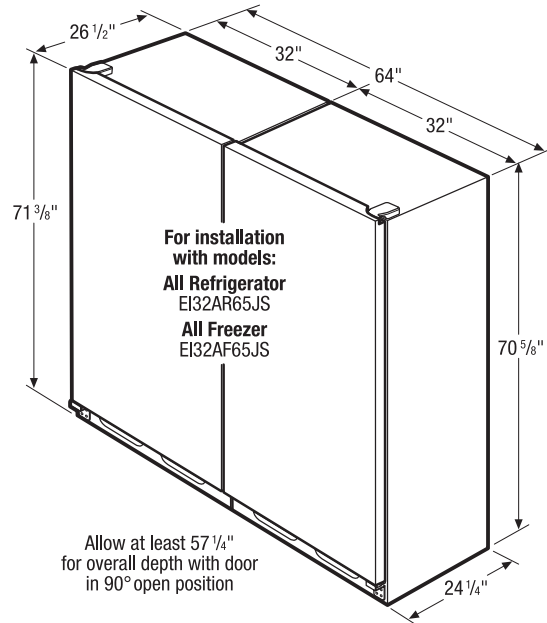
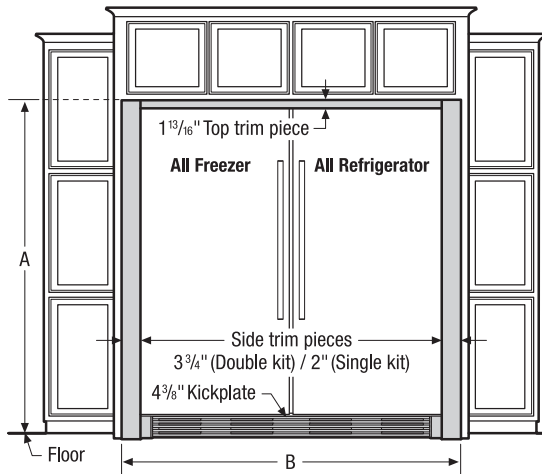
72" Single & Double Collar Trim Kits for All Refrigerator and All Freezer

Designed for replacement installation of any built-in model(s) having pre-existing opening(s) with same cutout dimensions as stated below; or for new-build installation.

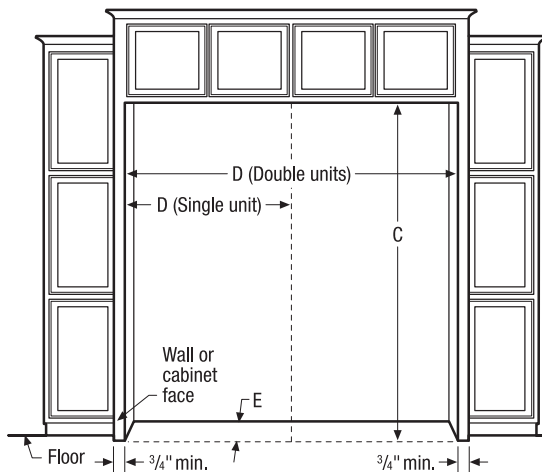
Kits Include:

Top, side and center trim pieces, kickplate and hardware.
(Center trim included with Double Trim Kit PN# ECP7272SS only.)

Single & Double Trim Kit Dimensions



Single & Double Cutout Dimensions



Single Trim Kit PN# ECP7236SS	Double Trim Kit PN# ECP7272SS
---	---

Trim Kit Dimensions (A) 72 13/16" (B) 36 7/16"	Trim Kit Dimensions (A) 72 13/16" (B) 72"
--	---

Cutout Dimensions (C) 72 3/4" (D) 35 1/2" (E) 24" min.†	Cutout Dimensions (C) 72 3/4" (D) 71 1/2" (E) 24" min.†
--	--

† Minimum depth from face of wall or cabinet side panels and requires recessed electrical outlet(s) and water line.

Installation Notes:

Trim kit attaches directly to unit(s) and can be secured to cutout opening. Double Trim Kit also includes hardware to secure side-by-side units together. Refer to detailed kit installation instructions packed with kit or on web.

72" Collar Trim Kits Installation Specifications

- Collar Trim Kits (PN# ECP7236SS & PN# ECP7272SS) are designed as built-in replacement options for Sub-Zero® brand 601 Series models when Trim Kits are installed with All Refrigerator and/or All Freezer models EI32AR65JS/EI32AF65JS into pre-existing cutout opening(s); or for new-build installation.
- To use Single Collar Trim Kit (PN# ECP7236SS), an enclosure is required around All Refrigerator or All Freezer having an opening of 72-3/4" H x 35-1/2" W with minimum cabinet side panels of 24" D x 3/4" W.
- To use Double Collar Trim Kit (PN# ECP7272SS), an enclosure is required around All Refrigerator and All Freezer having an opening of 72-3/4" H x 71-1/2" W with minimum cabinet side panels of 24" D x 3/4" W. (Double Trim Kit includes hardware to secure side-by-side units together.)

- Trim Kit attaches directly to unit(s) and can be secured to cutout opening.
- Minimum 24" depth requires recessed electrical outlet(s) and water line.
- Cabinet or soffit above unit must extend out to same depth as side panels.
- Clear, adequate floor space required for Trim Kit assembly.
- For detailed Trim Kit installation, refer to instructions packed with kit or on web.
- For detailed All-Refrigerator and/or All-Freezer installation, refer to model-specific product page(s) and installation guide(s) on web.

Note: For planning purposes only. Refer to Product Installation Guide on the web at electroluxappliances.com for detailed instructions.

Electrolux Major Appliances, N.A.

USA • 10200 David Taylor Drive • Charlotte, NC 28262 • 1-877-4electrolux (1-877-435-3287) • electroluxappliances.com
CANADA • 5855 Terry Fox Way • Mississauga, ON L5V 3E4 • 1-800-265-8352 • electroluxappliances.ca

ARAF TRMKTS 72INST EL 09/12

© 2012 Electrolux Home Products, Inc.

Sub-Zero® is a registered trademark of Sub-Zero, Inc.

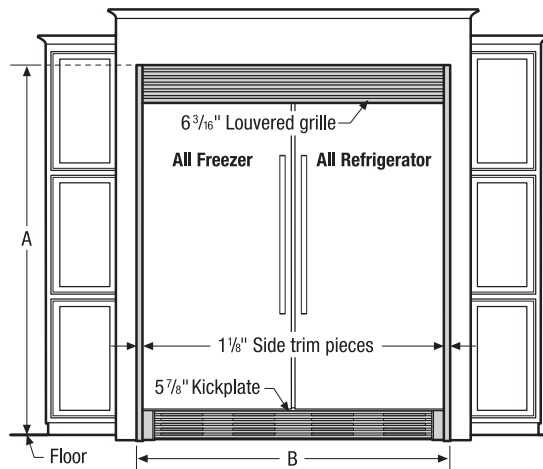
High standards of quality at Electrolux Home Products, Inc. mean we are constantly working to improve our products. We reserve the right to change specifications or discontinue models without notice.

79" Louvered / 75" Collar Trim Kits Installation

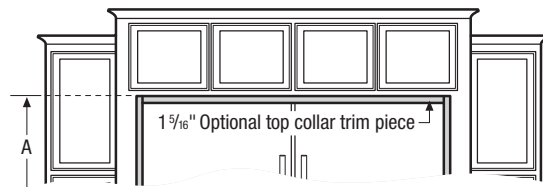
All Refrigerator / All Freezer (E32AR75FPS / E32AF75FPS Replacement)



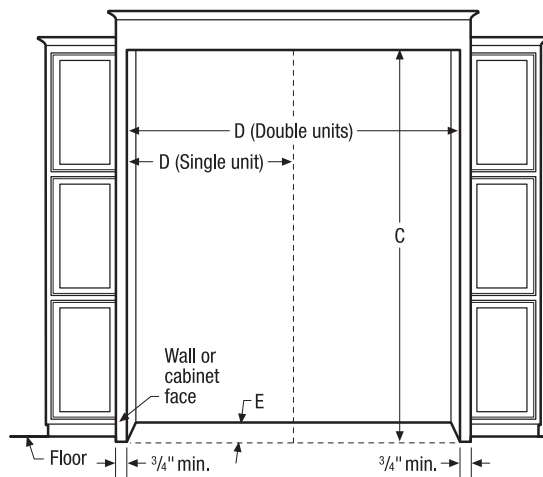
79" Louvered Trim Kit Dimensions



Optional 75" Collar Trim Kit Dimensions



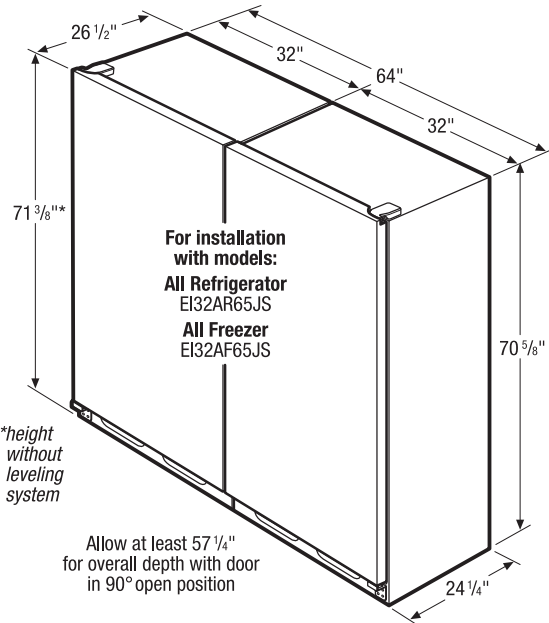
Single & Double Cutout Dimensions



Single & Double 79" Louvered Trim Kit or Optional 75" Collar Trim Kit for All Refrigerator and All Freezer

Designed for replacement installation of any built-in model(s) having pre-existing opening(s) with same cutout dimensions as stated below; or for new-build installation.

Kits Include: Louvered grille, optional top collar trim piece, side and center trim pieces, kickplate, leveling system and hardware. (Center trim included with Double Trim Kit PN# TRIMKITSS2 only.)



Single Trim Kit

PN# TRIMKITSS1

Trim Kit Dimensions

(A) 79 1/8" or 75 1/8"
(B) 34 3/4"

Cutout Dimensions

(C) 79" or 75" (D) 33"
(E) 25 1/4" min.†

Double Trim Kit

PN# TRIMKITSS2

Trim Kit Dimensions

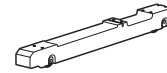
(A) 79 1/8" or 75 1/8"
(B) 67 1/8"

Cutout Dimensions

(C) 79" or 75" (D) 66"
(E) 25 1/4" min.†

Leveling System

(2) per unit raises height 2 9/16" min. Only available with trim kits.



† Minimum depth from face of wall or cabinet side panels and requires recessed electrical outlet(s) and water line.

Installation Notes:

Trim kit attaches directly to cutout opening through louvered grille or optional top collar trim piece to stabilize unit(s). Louvered grille used for 79" opening height and optional top collar trim piece used for 75" opening height. Installation into 75" opening requires side trim pieces be shortened by 4". Double Trim Kit also includes hardware to secure side-by-side units together. Refer to detailed kit installation instructions packed with kit or on web.

79" Louvered / 75" Collar Trim Kits Installation Specifications

- Louvered / Collar Trim Kits (PN# TRIMKITSS1 & PN# TRIMKITSS2) are designed as built-in replacement options for Electrolux ICON® brand All-Refrigerator / All-Freezer models E32AR75FPS / E32AF75FPS when Trim Kits are installed with models EI32AR65JS / EI32AF65JS into pre-existing cutout opening(s) requiring 79" opening height and use of louvered grille; or as built-in replacement option for any other built-in model(s) having pre-existing 79" or 75" opening height; or for new-build installation. New-build installation can use 79" opening height with use of louvered grille; or 75" opening height with use of optional top collar trim piece which also requires side trim pieces to be shortened by 4".
- To use Single Louvered / Collar Trim Kit (PN# TRIMKITSS1), an enclosure is required around All Refrigerator or All Freezer having an opening of 79" or 75" H x 33" W with minimum cabinet side panels of 25-1/4" D x 3/4" W.
- To use Double Louvered / Collar Trim Kit (PN# TRIMKITSS2), an enclosure is required around All Refrigerator and All Freezer having an opening of 79" or 75" H x 66" W with minimum cabinet side panels of 25-1/4" D x 3/4" W. (Double Trim Kit includes hardware to secure side-by-side units together.)

- Trim Kit attaches directly to cutout opening through louvered grille or optional top collar trim piece to stabilize unit(s).
- Minimum 25-1/4" depth requires recessed electrical outlet(s) and water line.
- Cabinet or soffit above unit must extend out to same depth as side panels.
- Clear, adequate floor space required for Trim Kit assembly.
- For detailed Trim Kit installation, refer to instructions packed with kit or on web.
- For detailed All-Refrigerator and/or All-Freezer installation, refer to model-specific product page(s) and installation guide(s) on web.

Note: For planning purposes only. Refer to Product Installation Guide on the web at electroluxappliances.com for detailed instructions.

Electrolux Major Appliances, N.A.

USA • 10200 David Taylor Drive • Charlotte, NC 28262 • 1-877-4electrolux (1-877-435-3287) • electroluxappliances.com
CANADA • 5855 Terry Fox Way • Mississauga, ON L5V 3E4 • 1-800-265-8352 • electroluxappliances.ca