

Electric Freestanding Range

CEI30EF3J S



Luxury-Glide® Oven Rack

With a ball bearing system, the oven rack is so smooth it extends effortlessly.



Perfect Convection3®

Our convection technology features a third convection element for consistently even results, up to 30% faster cooking times and even more baking options.



Sure-2-Fit® Capacity

Coordinate an entire meal — our oven features 5.8 cu. ft. of cooking space with two adjustable baking racks.



Fresh Clean™ Self-Cleaning Oven System

Innovative feature cleans your oven with virtually no odour or smoke of a conventional self-cleaning oven.

30" ELECTRIC FREESTANDING RANGE

Control Panel Features

IQ-Touch™ Electronic Oven Control	Yes
Perfect Set® Element Controls	Yes
Glass Front Display	Yes
Electronic Clock & Timer	Yes
Temperature Display	Yes
Automatic Oven (Delay, Cook & Off)	Yes

Cooktop Features

Flex-2-Fit® Ceramic Glass Smoothtop	Yes
9 to 12" Dual Expandable Element 1,800W/3,000W	1
6 to 9" Dual Expandable Element 1,600W/3,000W	1
5 to 7" Dual Expandable Element 750W/1,800W	1
6" Electric Element 1,200W	1
Warming Zone – 100W	Yes

Oven Features

Capacity	5.8 Cu. Ft.
Hidden Bake Element	Yes
Eight-Pass Bake Element – 3,500 Watts	Yes
Eight-Pass Broil Element – 4,000 Watts	Yes
Convection Element – 350 Watts	Yes
Cobalt Blue Interior	Yes
Self-Clean Options with Door Lock	3
Perfect Convection3®	Yes
Cooking Modes – Bake, Broil, Convection Bake, Convection Roast, Convection Broil, Keep Warm, Slow Cook	7
Baking Options – My Favourite, Rapid Preheat, Delay Bake, Convection Convert	4
Oven Light	Yes
Luxury-Glide® Racks	1
Conventional Racks	2
Convection Roasting Rack	

Additional Features

Signature Soft-Arc Handle Design	Yes
Luxury-Hold™ Oven Door	
Large Glass Window	Yes
Warmer Drawer	
Adjustable Leveling Legs	Yes
Sabbath Mode (Star-K® Certified)	Yes

Accessories

Porcelain Broiler Pan and Insert	Included
Grill/Griddle – PN # 318251611	Optional

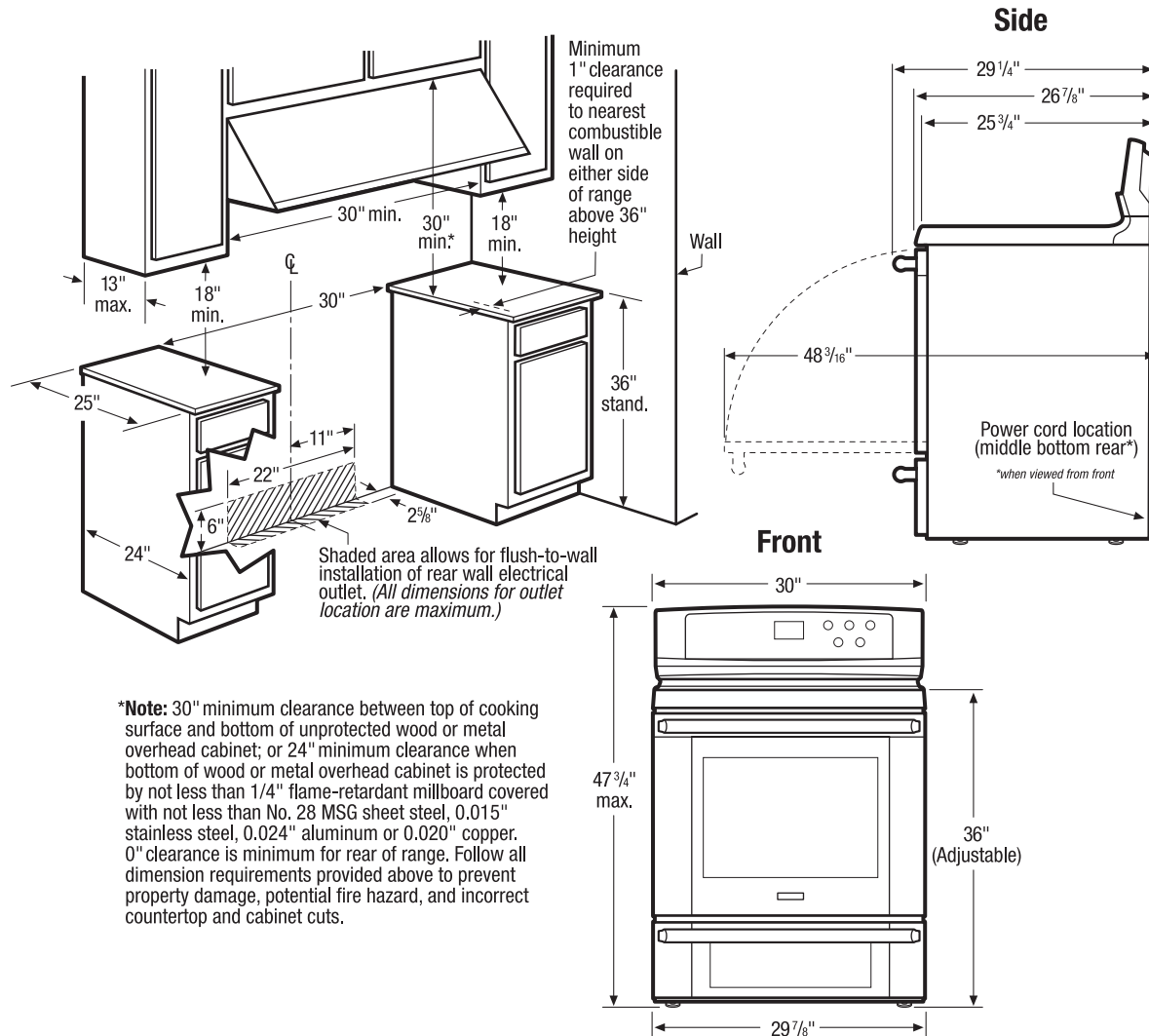
Specifications

Colour – Stainless Steel	S
Oven Cavity Dimensions –	
Height	21"
Width	24-3/8"
Depth	19-1/2"
Product Dimensions –	
Height	47-3/4"
Width	29-7/8"
Depth (to Centre of Arc Including Rear Extrusion) (with 90° Door Open Including Rear Extrusion)	26-7/8" 48-13/16"
Power Cord Location	Right Bottom Rear
Voltage Rating	240V / 60 Hz / 50A
Connected Load (kW Rating) @ 240/208 Volts	15.0/11.5
Minimum Circuit Required (Amps)	40
Shipping Weight (Approx.)	260 Lbs.

NOTE: Always consult local and national electric codes. Refer to Product Installation Guide for detailed installation instructions on the web at electroluxappliances.ca. Specifications subject to change.

Electric Freestanding Range

CEI30EF3J S



30" Electric Freestanding Range Specifications

- Product Weight – 240 Lbs.
- Single phase 3- or 4-wire cable, 120 / 240 or 120 / 208 Volt, 60 Hertz, fused on both sides of line with ground.
- Connected Load (kW Rating) @ 240 / 208 Volts = 15.0 / 11.5 kW
- Amps @ 240 / 208 Volts = 40 Amps
- Recommended Circuit Breaker – 40 Amps
- Always consult local and national electric codes.
- Make sure wall coverings around range can withstand heat generated by range.
- Floor beneath range MUST be solid and level.
- Overhead cabinetry should not exceed a 13" maximum depth.
- Absolute minimum horizontal distance between overhead cabinets installed to either side of appliance must be no less than maximum width of appliance.
- Range can be installed flush to wall with 0" minimum rear clearance.
- Minimum 1" clearance required from edge of rangetop to nearest combustible wall on either side of range above 36" height.

- Allow 30" minimum clearance between top of cooking surface and bottom of unprotected wood or metal overhead cabinet; or 24" minimum clearance when bottom of wood or metal overhead cabinet is protected by not less than 1/4" flame retardant millboard covered with not less than No. 28 MSG sheet steel, 0.015" stainless steel, 0.024" aluminum or 0.020" copper.
- To reduce risk of fire when using overhead cabinetry, install range hood that projects horizontally a recommended minimum of 5" beyond bottom of cabinets.
- Follow all dimension requirements provided to prevent property damage, potential fire hazard, and incorrect countertop and cabinet cuts.

Note: For planning purposes only. Refer to Product Installation Guide on the web at electroluxappliances.ca for detailed instructions.

Optional Accessories

- Grill / Griddle – (PN # 318251611).

Electrolux Major Appliances, N.A.

CANADA • 5855 Terry Fox Way • Mississauga, ON L5V 3E4 • 1-800-265-8352 • electroluxappliances.ca

CEI30EF3J 05/14

© 2014 Electrolux Major Appliances, NA



High standards of quality at Electrolux Home Products, Inc. mean we are constantly working to improve our products. We reserve the right to change specifications or discontinue models without notice.

Printed in Canada