

# Electric Freestanding Range

## CEI30EF3J S



### Luxury-Glide® Oven Rack

With a ball bearing system, the oven rack is so smooth it extends effortlessly.



### Perfect Convection3®

Our convection technology features a third convection element for consistently even results, up to 30% faster cooking times and even more baking options.



### Sure-2-Fit® Capacity

Coordinate an entire meal — our oven features 5.8 cu. ft. of cooking space with two adjustable baking racks.



### Fresh Clean™ Self-Cleaning Oven System

Innovative feature cleans your oven with virtually no odour or smoke of a conventional self-cleaning oven.

### 30" ELECTRIC FREESTANDING RANGE

#### Control Panel Features

|                                    |     |
|------------------------------------|-----|
| IQ-Touch™ Electronic Oven Control  | Yes |
| Perfect Set® Element Controls      | Yes |
| Glass Front Display                | Yes |
| Electronic Clock & Timer           | Yes |
| Temperature Display                | Yes |
| Automatic Oven (Delay, Cook & Off) | Yes |

#### Cooktop Features

|  |     |
|--|-----|
| Flex-2-Fit® Ceramic Glass Smoothtop            | Yes |
| 9 to 12" Dual Expandable Element 1,800W/3,000W | 1   |
| 6 to 9" Dual Expandable Element 1,600W/3,000W  | 1   |
| 5 to 7" Dual Expandable Element 750W/1,800W    | 1   |
| 6" Electric Element 1,200W                     | 1   |
| Warming Zone – 100W                            | Yes |

#### Oven Features

|  |             |
|--|-------------|
| Capacity   | 5.8 Cu. Ft. |
| Hidden Bake Element  | Yes         |
| Eight-Pass Bake Element – 3,500 Watts  | Yes         |
| Eight-Pass Broil Element – 4,000 Watts   | Yes         |
| Convection Element – 350 Watts   | Yes         |
| Cobalt Blue Interior   | Yes         |
| Self-Clean Options with Door Lock  | 3           |
| Perfect Convection3®   | Yes         |
| Cooking Modes –<br>Bake, Broil, Convection Bake, Convection Roast,<br>Convection Broil, Keep Warm, Slow Cook | 7           |
| Baking Options –<br>My Favourite, Rapid Preheat, Delay Bake,<br>Convection Convert                           | 4           |
| Oven Light   | Yes         |
| Luxury-Glide® Racks  | 1           |
| Conventional Racks   | 2           |
| Convection Roasting Rack   |             |

#### Additional Features

|                                  |     |
|----------------------------------|-----|
| Signature Soft-Arc Handle Design | Yes |
| Luxury-Hold™ Oven Door           |     |
| Large Glass Window               | Yes |
| Warmer Drawer                    |     |
| Adjustable Leveling Legs         | Yes |
| Sabbath Mode (Star-K® Certified) | Yes |

#### Accessories

|                                  |          |
|----------------------------------|----------|
| Porcelain Broiler Pan and Insert | Included |
| Grill/Griddle – PN # 318251611   | Optional |

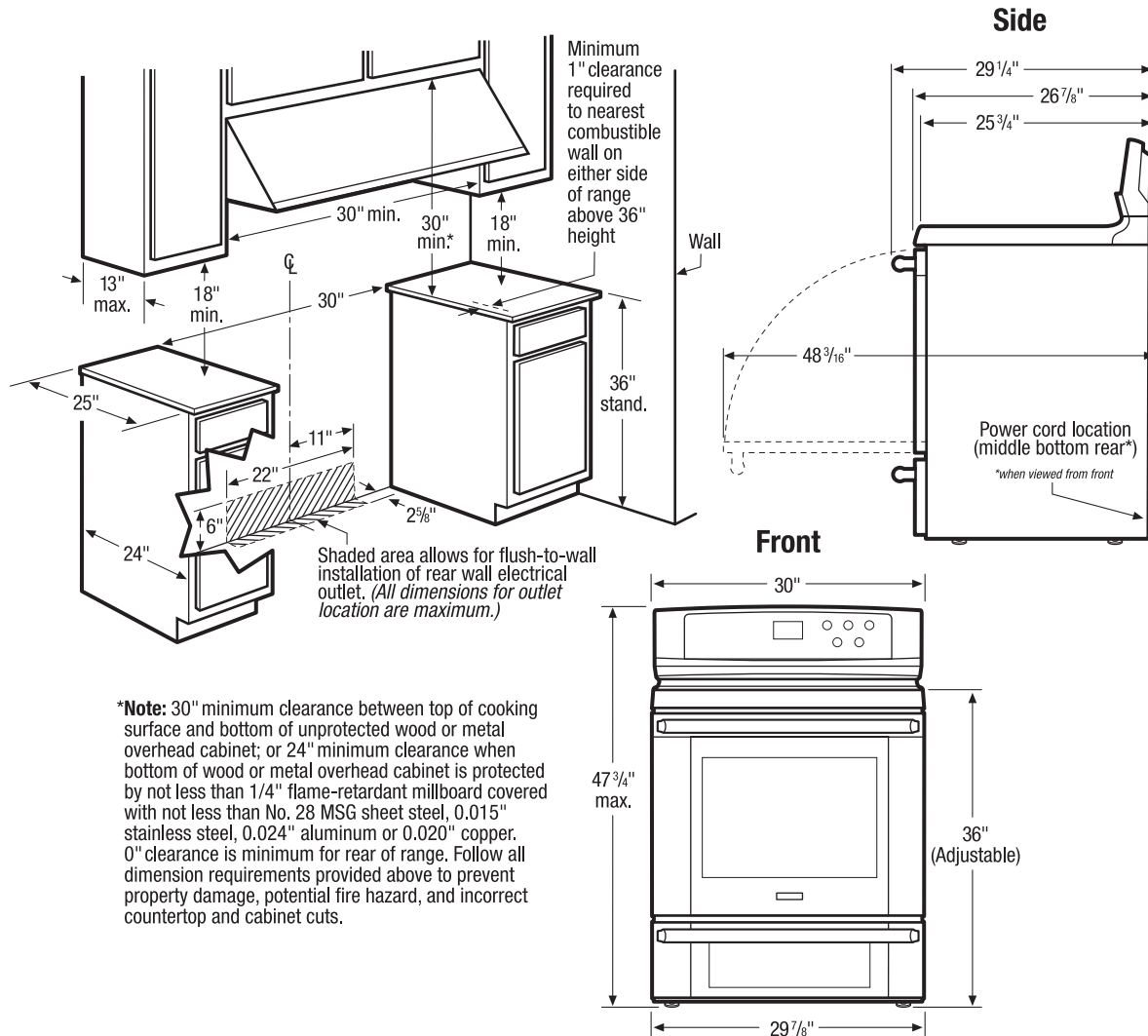
#### Specifications

|  |                      |
|--|----------------------|
| Colour –<br>Stainless Steel  | S                    |
| Oven Cavity Dimensions –   |                      |
| Height   | 21"                  |
| Width  | 24-3/8"              |
| Depth  | 19-1/2"              |
| Product Dimensions –   |                      |
| Height   | 47-3/4"              |
| Width  | 29-7/8"              |
| Depth (to Centre of Arc Including Rear Extrusion)<br>(with 90° Door Open Including Rear Extrusion) | 26-7/8"<br>48-13/16" |
| Power Cord Location  | Centre Bottom Rear   |
| Voltage Rating   | 240V / 60 Hz / 50A   |
| Connected Load (kW Rating) @ 240/208 Volts   | 15.0/11.5            |
| Minimum Circuit Required (Amps)  | 40                   |
| Shipping Weight (Approx.)  | 260 Lbs.             |

NOTE: Always consult local and national electric codes. Refer to Product Installation Guide for detailed installation instructions on the web at [electroluxappliances.ca](http://electroluxappliances.ca). Specifications subject to change.

# Electric Freestanding Range

CEI30EF3J S



## 30" Electric Freestanding Range Specifications

- Product Weight – 240 Lbs.
- Single phase 3- or 4-wire cable, 120 / 240 or 120 / 208 Volt, 60 Hertz, fused on both sides of line with ground.
- Connected Load (kW Rating) @ 240 / 208 Volts = 15.0 / 11.5 kW
- Amps @ 240 / 208 Volts = 40 Amps
- Recommended Circuit Breaker – 40 Amps
- Always consult local and national electric codes.
- Make sure wall coverings around range can withstand heat generated by range.
- Floor beneath range MUST be solid and level.
- Overhead cabinetry should not exceed a 13" maximum depth.
- Absolute minimum horizontal distance between overhead cabinets installed to either side of appliance must be no less than maximum width of appliance.
- Range can be installed flush to wall with 0" minimum rear clearance.
- Minimum 1" clearance required from edge of rangetop to nearest combustible wall on either side of range above 36" height.

- Allow 30" minimum clearance between top of cooking surface and bottom of unprotected wood or metal overhead cabinet; or 24" minimum clearance when bottom of wood or metal overhead cabinet is protected by not less than 1/4" flame retardant millboard covered with not less than No. 28 MSG sheet steel, 0.015" stainless steel, 0.024" aluminum or 0.020" copper.
- To reduce risk of fire when using overhead cabinetry, install range hood that projects horizontally a recommended minimum of 5" beyond bottom of cabinets.
- Follow all dimension requirements provided to prevent property damage, potential fire hazard, and incorrect countertop and cabinet cuts.

**Note:** For planning purposes only. Refer to Product Installation Guide on the web at [electroluxappliances.ca](http://electroluxappliances.ca) for detailed instructions.

### Optional Accessories

- Grill / Griddle – (PN # 318251611).

Electrolux Major Appliances, N.A.

CANADA • 5855 Terry Fox Way • Mississauga, ON L5V 3E4 • 1-800-265-8352 • [electroluxappliances.ca](http://electroluxappliances.ca)

CEI30EF3J 12/14

© 2014 Electrolux Major Appliances, NA



High standards of quality at Electrolux Home Products, Inc. mean we are constantly working to improve our products. We reserve the right to change specifications or discontinue models without notice.

Printed in Canada