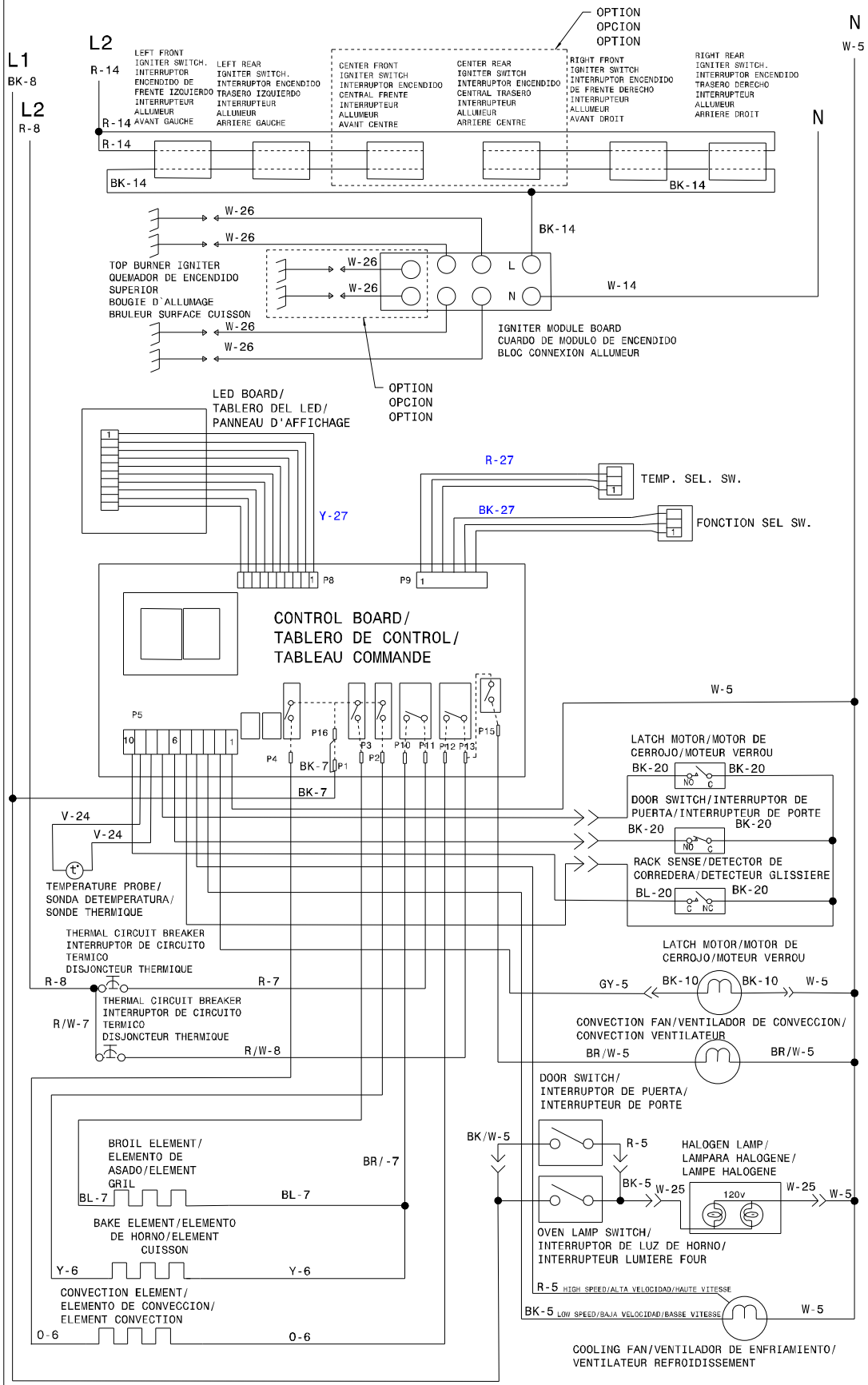


**SINGLE OVEN & FREESTANDING CIRCUIT // CIRCUITO DE HORNO SENCILLO Y ESTUFA //  
CIRCUIT DU FOUR ENCASTRE SIMPLE & CUISINIERE**



**COLOR CODE/CODIGOS DE COLOR/CODE DE COULEUR**

GY. - GRAY / GRIS / GRIS  
 G. - GREEN / VERDE / VERT  
 W. - WHITE / BLANCO / BLANC  
 R. - RED / ROJO / ROUGE  
 O. - ORANGE / NARANJA / ORANGE  
 Y. - YELLOW / AMARILLO / JAUNE  
 BR. - BROWN / CAFE / BRUN  
 BL. - BLUE / AZUL / BLEU  
 BK. - BLACK / NEGRO / NOIR  
 BR/W. - BROWN / WHITE // CAFE / BLANCO // BRUN / BLANC  
 V. - VIOLET / VIOLETA / VIOLET  
 R/W. - RED STRIPE WHITE // ROYO RAYAS BLANCO // ROUGE RAYES BLANC

| CODE<br>CODIGO<br>CODE | GAUGE<br>MEDIDA<br>CALIBRE | TEMP. °C | CSA     | UL           |
|------------------------|----------------------------|----------|---------|--------------|
| 1                      | 18                         | 125      | CL1251  | 3173         |
| 2                      | 16                         | 125      | CL1251  | 3173         |
| 3                      | 14                         | 125      | CL1251  | 3173         |
| 4                      | 12                         | 125      | CL1251  | 3173         |
| 5                      | 18                         | 150      | EXL-150 | 3321         |
| 6                      | 16                         | 150      | EXL-150 | 3321         |
| 7                      | 14                         | 150      | EXL-150 | 3321         |
| 8                      | 12                         | 150      | EXL-150 | 3321         |
| 9                      | 10                         | 150      | EXL-150 | 3321         |
| 10                     | 18                         | 200      | SEW-1   | 3122         |
| 11                     | 16                         | 200      | SEW-1   | 3122         |
| 12                     | 12                         | 250      |         | 3252         |
| 13                     | 16                         | 250      |         | 3252         |
| 14                     | 20                         | 150      | EXL-150 | 3321         |
| 15                     | 8                          | 150      | EXL-150 | 3321         |
| 16                     | 8                          | 60       |         |              |
| 17                     | 10                         | 60       |         |              |
| 18                     | 10                         | 200      | SEW-1   | 3122         |
| 19                     | 20                         | 125      | CL1251  | 3173         |
| 20                     | 20                         | 200      | SEW-1   | 3122         |
| 21                     | 22                         | 125      | CL-1252 | 3266         |
| 22                     | 22                         | 150      |         | 10109        |
| 23                     | 18                         | 200      |         | 3573         |
| 24                     | 20                         | 150      |         | 5107<br>5335 |
| 25                     | 16                         | 450      |         | 5107         |
| 26                     | 18                         | 200      |         | 10202        |
| 27                     | 22                         | 150      |         | 10109        |

**CAUTION: DISCONNECT POWER BEFORE SERVICING UNIT.**  
**ATENCIÓN: CORTAR LA CORRIENTE ANTES DE REALIZAR EL MANTENIMIENTO DEL ELECTRODOMESTICO.**  
**ATTENTION: COUPEZ L'ALIMENTATION AVANT D'EFFECTUER LA REPARATION.**

**318271962 REV:E**