

Induction Freestanding Range

EW30IF60I S

Featuring Wave-Touch® Controls & Induction Cooktop



More Energy-Efficient

Cooking with induction is 70% more efficient than gas and 20% more efficient than electric.



More Responsive

Cooking with induction is more responsive than gas or electric—you can instantly adjust the heat to a delicate simmer or bring it to a quick boil.



Exceptional Temperature Control

Adjust heat with greater accuracy than gas or electric cooktops, especially at lower settings. Perfect for melting chocolate and cooking delicate foods and sauces.



Cooking Flexibility

The sensors automatically detect the presence of magnetic cookware, activate the induction field and adjust it to the exact size of the pan.

30" INDUCTION FREESTANDING RANGE

Control Panel Features

Wave-Touch® Electronic Oven Control	Yes
Perfect Set® Element Controls	Yes
Glass Front Display	Yes
Electronic Clock & Timer	Yes
Temperature Display	Yes
Automatic Oven (Delay, Cook & Off)	Yes

Induction Cooktop Features

Flex-2-Fit® Ceramic Glass Smoothtop	Yes
10" Induction Cooking Element – 2400W/3400W	1
8" Induction Cooking Element – 2400W/3400W	1
7" Induction Cooking Element – 1900W/2600W	1
6" Induction Cooking Element – 1500W/1900W	1
Warming Zone	
Hot Surface Indicator Light	Yes
Surface Controls	Yes

Oven Features

Capacity	5.7 Cu. Ft.
Hidden Bake Element	Yes
Eight-Pass Bake Element – 3500 Watts	Yes
Eight-Pass Broil Element – 4000 Watts	Yes
Convection Element – 350 Watts	Yes
Cobalt Blue Interior	Yes
Self-Clean Options with Door Lock	3
Perfect Convection® with Variable 2-Speed Fan	Yes
Cooking Modes – Bake, Broil, Convection Bake, Convection Roast, Convection Broil, Keep Warm, Slow Cook	7
Baking Options – Perfect Turkey®, Defrost, Dehydrate, Bread Proof, My Favorites, Multi-Stage Cooking, Temperature Probe, Rapid Preheat, Delay Bake, Convection Convert	10
Luxury-Design® Lighting with Dual 40W Halogen Bulbs	Yes
Luxury-Glide® Racks	1
Conventional Racks	2
Convection Roasting Rack	Yes

Additional Features

Signature Soft-Arc Oven Door and Handle Design	Yes
Luxury-Hold™ Oven Door	Yes
Extra-Large Glass Window	Yes
Perfect Pair Lower Oven®	Yes
Fully Extendable Drawer Glides	Yes
Adjustable Leveling Legs	Yes
Sabbath Mode (Star-K® Certified)	Yes

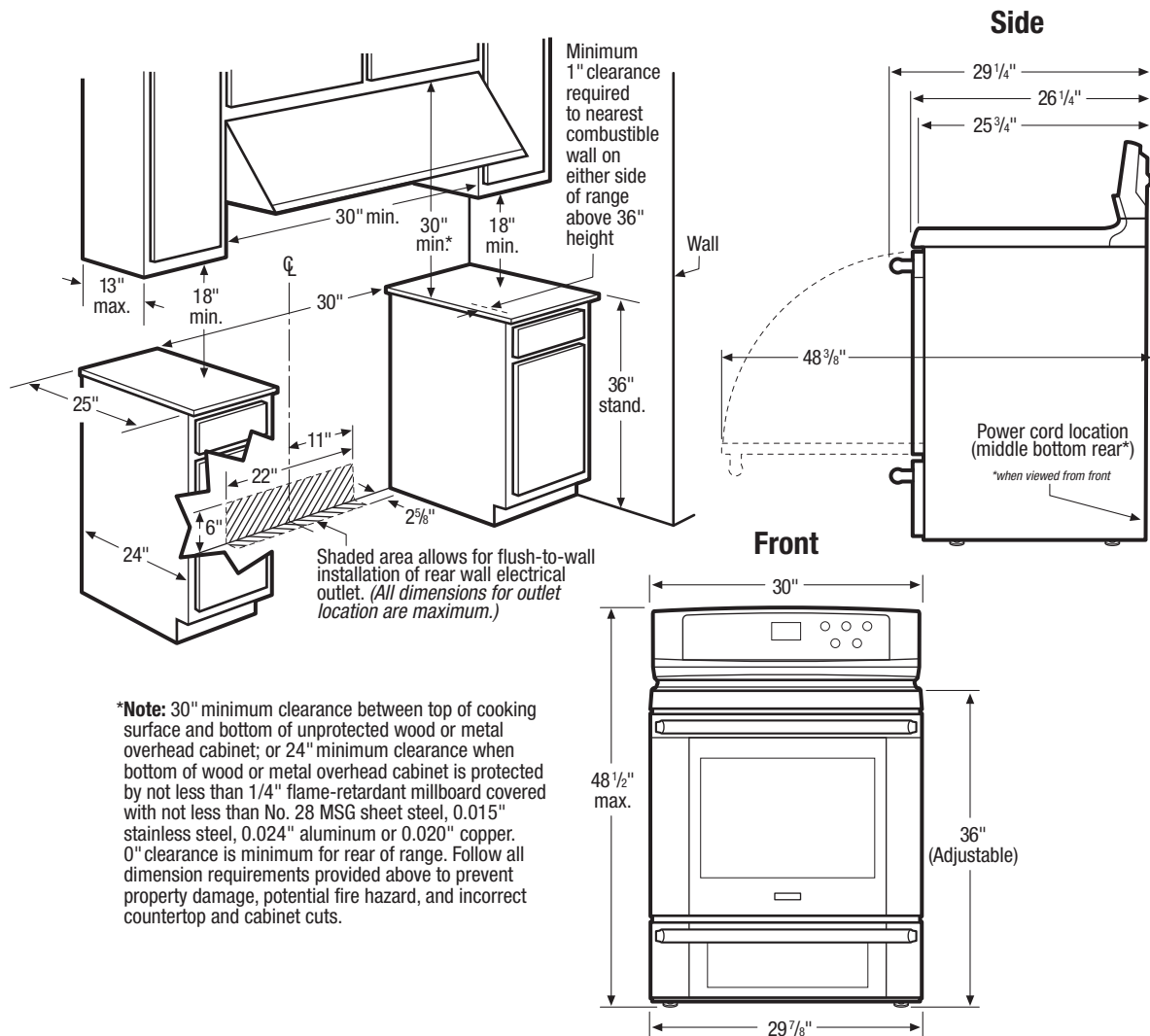
Accessories

Porcelain Broiler Pan and Insert	Included
----------------------------------	----------

Specifications

Color – Stainless Steel	S
Oven Cavity Dimensions –	
Height	21-3/8"
Width	24-1/4"
Depth	19-1/8"
Overall Exterior Dimensions –	
Height	48-1/2" max.
Width	30"
Depth (to Center of Arc Including Rear Extrusion) (with 90° Door Open Including Rear Extrusion)	28-1/2" 48-3/8"
Power Cord Location	Middle Bottom Rear
Voltage Rating	240V/60Hz/40A
Connected Load (kW Rating) @ 240/208 Volts	15.5/11.5
Minimum Circuit Required (Amps)	50
Shipping Weight (Approx.)	266 Lbs.

NOTE: Always consult local and national electric codes. Refer to Product Installation Guide for detailed installation instructions on the web at electroluxappliances.com. Specifications subject to change.



***Note:** 30" minimum clearance between top of cooking surface and bottom of unprotected wood or metal overhead cabinet; or 24" minimum clearance when bottom of wood or metal overhead cabinet is protected by not less than 1/4" flame-retardant millboard covered with not less than No. 28 MSG sheet steel, 0.015" stainless steel, 0.024" aluminum or 0.020" copper. 0" clearance is minimum for rear of range. Follow all dimension requirements provided above to prevent property damage, potential fire hazard, and incorrect countertop and cabinet cuts.

30" Induction Freestanding Range Specifications

- Product Weight – 240 Lbs.
- Single phase 3- or 4-wire cable, 120/240 or 120/208 Volt, 60 Hertz, fused on both sides of line with ground.
- Connected Load (kW Rating) @ 240/208 Volts = 15.5/11.5 kW
- Recommended Circuit Breaker – 50 Amps
- Always consult local and national electric codes.
- Make sure wall coverings around range can withstand heat generated by range.
- Floor beneath range MUST be solid and level.
- Overhead cabinetry should not exceed a 13" maximum depth.
- Absolute minimum horizontal distance between overhead cabinets installed to either side of appliance must be no less than maximum width of appliance.
- Range can be installed flush to wall with 0" minimum rear clearance.
- Minimum 1" clearance required from edge of rangetop to nearest combustible wall on either side of range above 36" height.

- Allow 30" minimum clearance between top of cooking surface and bottom of unprotected wood or metal overhead cabinet; or 24" minimum clearance when bottom of wood or metal overhead cabinet is protected by not less than 1/4" flame retardant millboard covered with not less than No. 28 MSG sheet steel, 0.015" stainless steel, 0.024" aluminum or 0.020" copper.
- To reduce risk of fire when using overhead cabinetry, install range hood that projects horizontally a recommended minimum of 5" beyond bottom of cabinets.
- Follow all dimension requirements provided to prevent property damage, potential fire hazard, and incorrect countertop and cabinet cuts.

Note: For planning purposes only. Refer to Product Installation Guide on the web at electroluxappliances.com for detailed instructions.

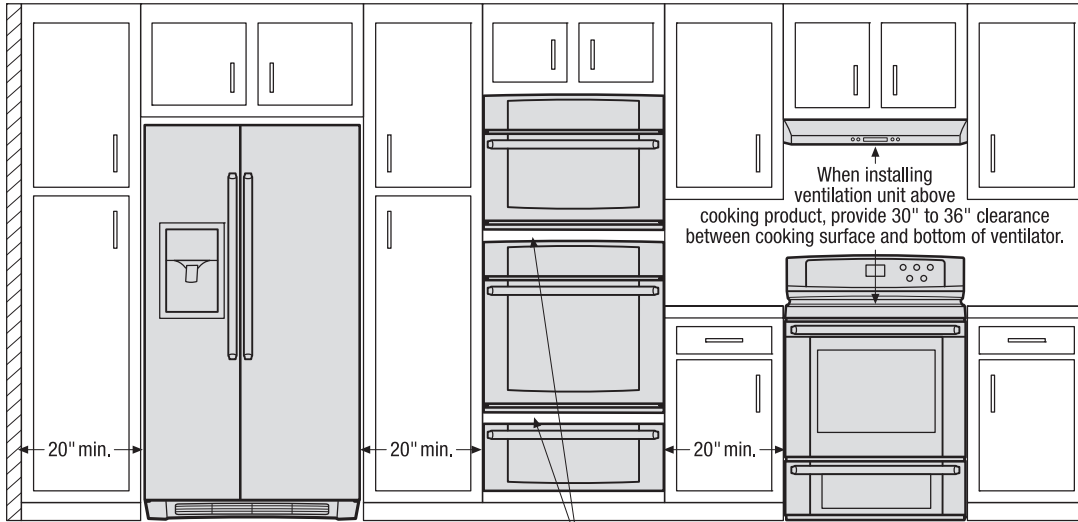
Electrolux Major Appliances, N.A.

USA • 10200 David Taylor Drive • Charlotte, NC 28262 • 1-877-4electrolux (1-877-435-3287) • electroluxappliances.com
 CANADA • 5855 Terry Fox Way • Mississauga, ON L5V 3E4 • 1-800-265-8352 • electroluxappliances.ca



Use these dimensions and clearance instructions for planning purposes only. For detailed installation instructions, refer to installation guide, packed with product, or on the web at electroluxappliances.com.

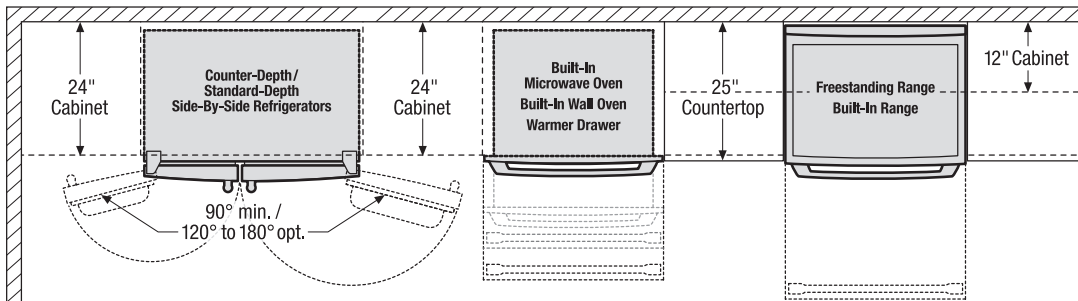
Front



When installing appliances adjacent to each other, 20" minimum distance between each appliance required.

When installing built-in cooking appliances in combination, 2" minimum visible gap between appliance faceplates required.

Top

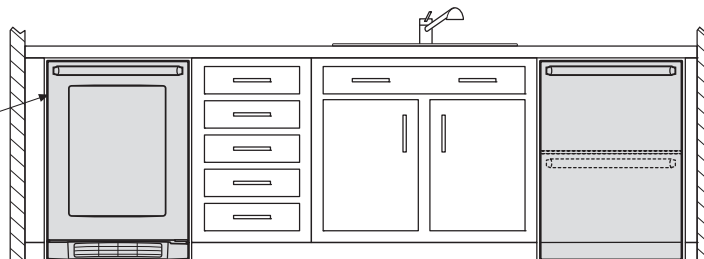


When installing refrigerator adjacent to wall, cabinet or another appliance that extends beyond front edge of unit, 20" minimum clearance recommended to allow for optimum 120° to 180° door swing, providing complete drawer/crisper access and removal.

When installing appliance with sliding drawer or drop-down door directly across from obstructions, provide sufficient clearance for drawer extension or door swing.

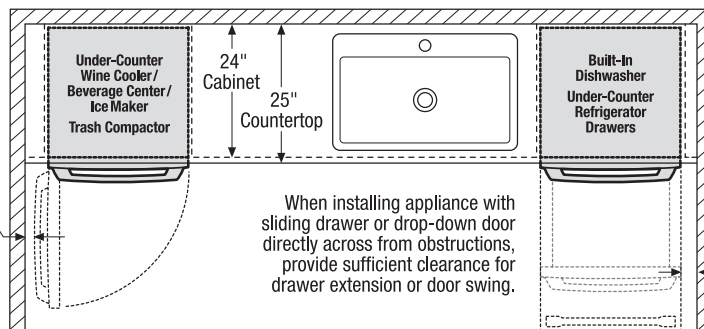
Front

To ensure optimum performance, avoid installing refrigeration appliances in direct sunlight or near heat source.



Top

When installing appliance with side-swing door adjacent to wall, cabinet, or other obstruction that extends beyond front edge of appliance, door swing and handle clearance must be sufficient to allow access to appliance interior.



When installing appliance with sliding drawer or drop-down door directly across from obstructions, provide sufficient clearance for drawer extension or door swing.

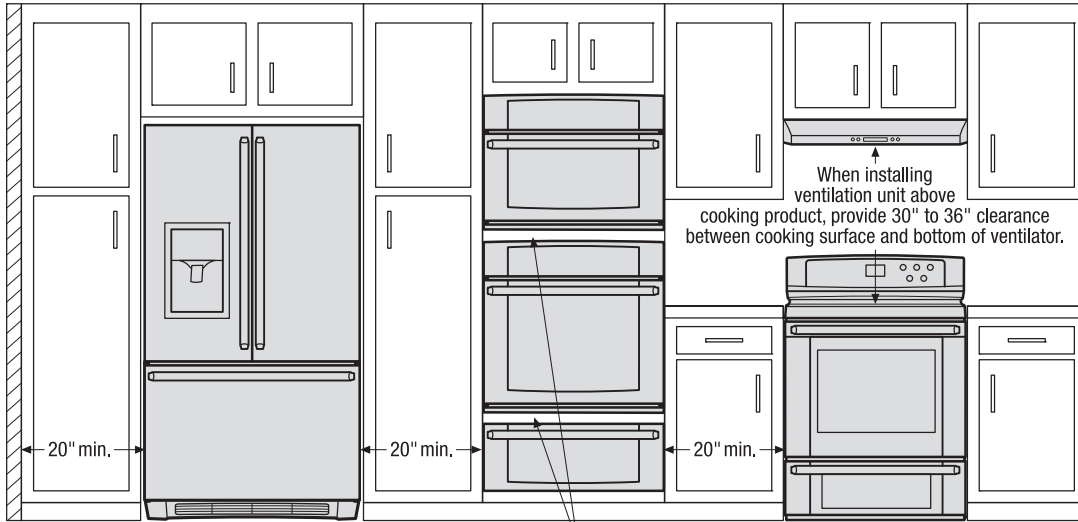
When installing appliance with sliding drawer or drop-down door adjacent to wall, cabinet, or other obstruction that extends beyond front edge of appliance, allow 2" minimum clearance between drawer or door and obstruction.

Electrolux Major Appliances, N.A.

USA • 10200 David Taylor Drive • Charlotte, NC 28262 • 1-877-4electrolux (1-877-435-3287) • electroluxappliances.com
 CANADA • 5855 Terry Fox Way • Mississauga, ON L5V 3E4 • 1-800-265-8352 • electroluxappliances.ca

Use these dimensions and clearance instructions for planning purposes only. For detailed installation instructions, refer to installation guide, packed with product, or on the web at electroluxappliances.com.

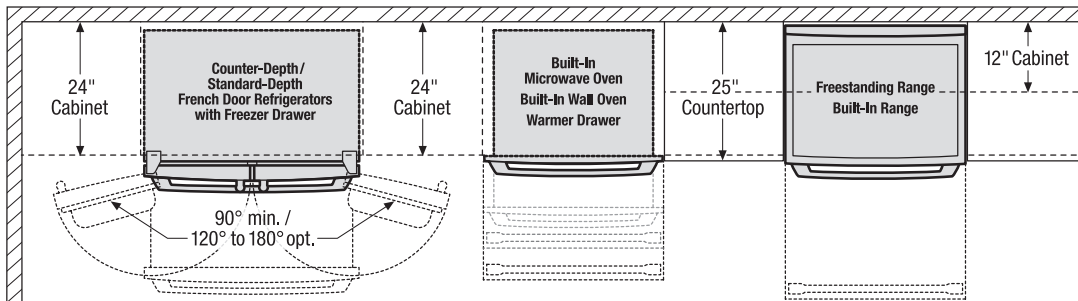
Front



When installing appliances adjacent to each other, 20" minimum distance between each appliance required.

When installing built-in cooking appliances in combination, 2" minimum visible gap between appliance faceplates required.

Top

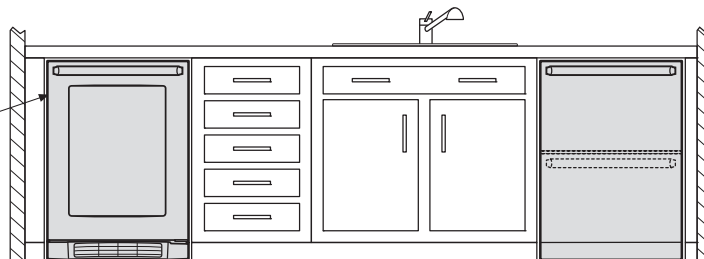


When installing refrigerator adjacent to wall, cabinet or another appliance that extends beyond front edge of unit, 20" minimum clearance recommended to allow for optimum 120° to 180° door swing, providing complete drawer/crisper access and removal.

When installing appliance with sliding drawer or drop-down door directly across from obstructions, provide sufficient clearance for drawer extension or door swing.

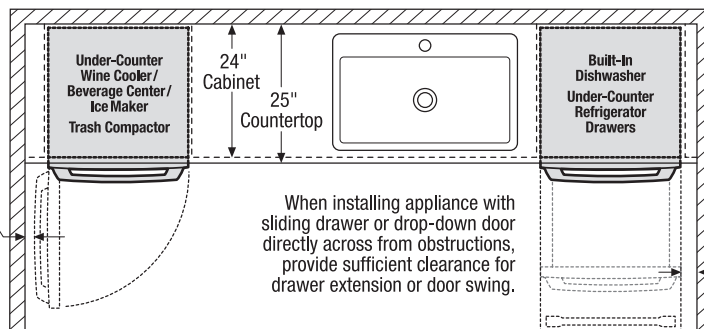
Front

To ensure optimum performance, avoid installing refrigeration appliances in direct sunlight or near heat source.



Top

When installing appliance with side-swing door adjacent to wall, cabinet, or other obstruction that extends beyond front edge of appliance, door swing and handle clearance must be sufficient to allow access to appliance interior.



When installing appliance with sliding drawer or drop-down door directly across from obstructions, provide sufficient clearance for drawer extension or door swing.

When installing appliance with sliding drawer or drop-down door adjacent to wall, cabinet, or other obstruction that extends beyond front edge of appliance, allow 2" minimum clearance between drawer or door and obstruction.

Electrolux Major Appliances, N.A.

USA • 10200 David Taylor Drive • Charlotte, NC 28262 • 1-877-4electrolux (1-877-435-3287) • electroluxappliances.com
 CANADA • 5855 Terry Fox Way • Mississauga, ON L5V 3E4 • 1-800-265-8352 • electroluxappliances.ca