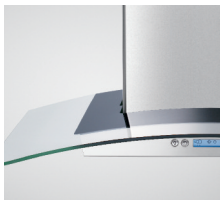


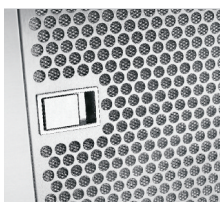
Glass & Stainless Canopy Hood

RH30WC60GS



Glass Canopy Design

Sophisticated style makes this ventilation unit as attractive as it is functional. Glass canopy hood has sleek curved design – making it a focal point of the kitchen.



600 CFMs / 4-Speed Fan

Features a powerful 4-speed dual centrifugal fan supplying 600 CFM of air movement. Effectively and quietly removes smoke, vapours and smells from the kitchen.



Dual Halogen Lights

Dual halogen lights provide ample illumination of the cooking surface below with lights located at two different levels.



Electronic Controls with LCD Display

Easy-to-operate electronic controls provide convenient access to all fan, clock and timer settings.

30" GLASS & STAINLESS CANOPY WALL-MOUNT HOOD

Features

Nominal Width	30"
Installation Type	Wall Mount
Style	Stainless Steel/ Glass Canopy
Air Discharge	Vertical
Air Delivery (CFM)	600
Blower Type	Dual Centrifugal
Electronic Controls with LCD Display	Yes
Fan Speeds	4
Sound Level (dBA)	73.8
Dual Halogen Lights	Yes
Washable Stainless Steel Filters	Yes
Exhaust Duct	Convertible*
Duct Required	8" Round

Accessories

Charcoal Filter – EICFW60GS	Optional
Duct-Free Kit – EIDFW60GS	Optional

Colour / UPC (0-12505-)

Stainless Steel (S)	55873-3
---------------------	---------

Specifications

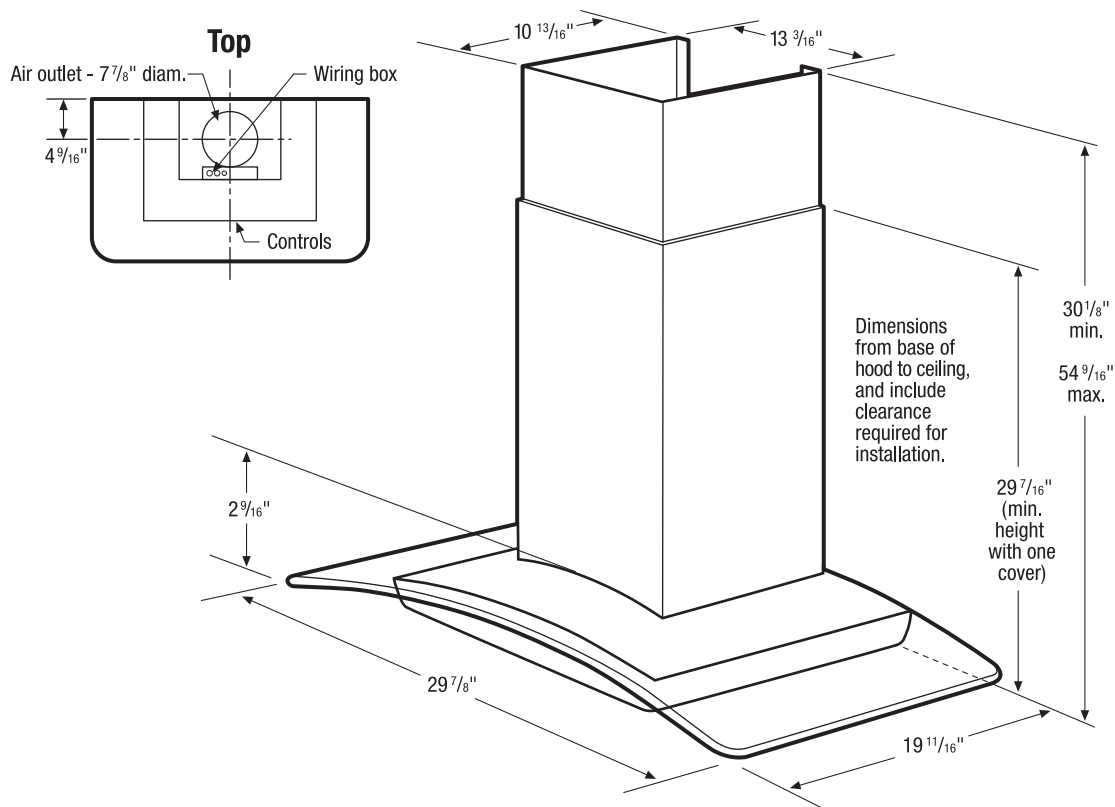
Overall Exterior Dimensions –	
Width	29-7/8"
Height (With One Cover)	29-7/16" min.
(With Flue Extension)	30-1/8" min. 54-9/16" max.
Depth	19-11/16"
Voltage Rating	120V/60Hz / 15A
Connected Load (kW Rating) @ 120 Volts [‡]	0.474
Product Weight	60 Lbs.
Shipping Weight	64 Lbs.
Sones Rating	9.0

* Ventilation is convertible to be either ducted outside, or recirculated inside requiring no ducting. (Recirculated option requires use of optional Duct-Free Kit.)

[‡] For use on adequately wired 120V, dedicated circuit having 2-wire service with a separate ground wire. Appliance must be grounded for safe operation.

NOTE: Always consult local and/or national electric codes. Check local building codes for installation requirements, as they may vary per locale. Refer to Product Installation Guide for detailed installation instructions on the web at www.electroluxappliances.ca

Specifications subject to change.



30" Glass and Stainless Canopy Wall-Mount Hood Specifications

- Product Weight – 60 Lbs.
- Wall-Mount Installation
- Ventilation is convertible to be either ducted outside, or recirculated inside requiring no ducting.
- Sones Rating – 9.0
- Voltage Rating – 120V/60 Hz/15 Amps
- Connected Load (kW Rating) @ 120 Volts = 0.474kW (For use on adequately wired 120V, dedicated circuit having 2-wire service with a separate ground wire. Appliance must be grounded for safe operation.)
- Amps @ 120 Volts = 3.8 Amps
- Always consult local and/or national electric codes. Check local building codes for installation requirements, as they may vary per locale.
- Minimum installation height allowed from bottom of hood to cooking surface is 24" - 30" for electric and 30" for gas. (*NOT more than 36" recommended.*)
- To prepare mounting surface, adequate structure and support must be provided, capable of supporting 100 lbs.

Ducted Option Specifications

- For outside ventilation only.
- Exhaust Duct Required – 8" round
- For most efficient airflow exhaust, use a straight run or as few elbows as possible.
- Use metallic flex ducting only to connect rigid duct directly to transitions (*if allowed by code*).
- Thermal breaks such as short section of nonmetallic duct, should be used in areas of extreme cold.
- Cold weather installations should have additional backdraft damper installed.
- Refer to web for detailed duct preparation installation instructions.

Ductless (Recirculated) Option Specifications

- If ducting to outside is not an option, vent hood can be converted to ductless with use of optional Duct-Free Kit (EIDFW60GS).
- Refer to web for detailed convertible ventilation installation instructions.

Note: For planning purposes only. Refer to Product Installation Guide on the web at electroluxappliances.ca or supplied with product for detailed instructions.

Optional Accessories

- Charcoal Filter – (EICFW60GS).
- Duct-Free Kit – (EIDFW60GS).

