

Gas Slide-In Cooktop

professional series

E36GC76PRS



PRODUCT DIMENSIONS

Width	35-7/8"
Depth	25"
Height	7-3/4"

MORE EASY-TO-USE FEATURES

Sealed Power Burners

Black Ceramic Glass Cooking Surface

Pilotless Ignition

BURNER	BTU
Right Front	20,000 – 1,100
Right Rear	9,500
Left Front	20,000
Left Rear	14,000
Centre Front	14,000
Centre Rear	5,000 – 1,500

Signature Features



Min-2-Max Burners®

With the widest range of BTU performance in the industry, these best-in-class dual-flame sealed burners offer unrivaled versatility — from a roaring 20,000-BTU boil to a gentle 1,100-BTU simmer.



Continuous Grates

Designed for cooking multiple dishes at varying temperatures on a single cooktop, continuous grates allow you to move even the heaviest pots and pans from burner to burner with the utmost ease.



Professional-Style Controls

Large 270 degree knobs give you precise control while cooking, so you get the results you want.



Versatile Cooking Accessories

Interchangeable accessories include a griddle plate, a special wok ring and simmer plate — so you can customize the cooktop to fit your cooking needs.

Gas Slide-In Cooktop

E36GC76PRS professional series



36" GAS SLIDE-IN COOKTOP

Configuration	6 Sealed Burners
---------------	------------------

FEATURES

Formed Stainless Steel Platform	Yes
Professional-Style Controls	Yes
Min-2-Max Burners® (BTU)	2 (20,000 – 1,100)
Sealed Power Burner™ (BTU)	2 (14,000)
Sealed Burner (BTU)	1 (9,500)
Sealed Precision Burner™ (BTU)	1 (5,000 – 1,500)
Linear Flow Burner Valves	Yes
Electronic Pilotless Ignition	Yes
Continuous Grates	3

ACCESSORIES

Griddle	Included
Wok Ring	Included
Simmer Plate	Included
LP Gas Conversion Kit	Included
9" Stainless Steel Backguard – PN# 903048-9010	Optional
Depth Adjustment Filler Kit* – PN# 903051-9010	Optional

SPECIFICATIONS

Gas Inlet/Power Supply Location	Right Rear
Voltage Rating	120V/60 Hz
Connected Load (kW Rating) @ 120 Volts ²	0.12
Electrical Cable	Included
Approved for Single Oven Combination Installation**	No
Shipping Weight (Approx.)	120 Lbs.

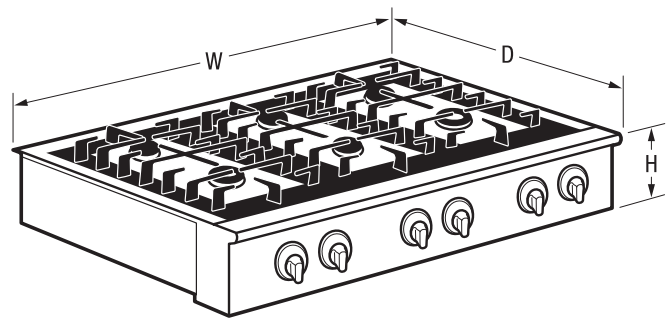
*When replacing an existing cooktop with countertop cutout deeper than 7-1/4" and less than 8-1/2", order free Depth Adjustment Filler Kit.

**Not approved to be used over any Electrolux ICON® Single Wall Oven.

²For use on adequately wired 120V, dedicated circuit having 2-wire service with a separate ground wire. Appliance must be grounded for safe operation.

NOTE: Always consult local and national electric and gas codes. Refer to Product Installation Guide for detailed installation instructions on the web at electroluxicon.ca.

Specifications subject to change.



NOTE: Always consult local and national electric and gas codes. Refer to Product Installation Guide for detailed installation instructions on the web at electroluxicon.ca.



PRODUCT DIMENSIONS

Width	35-7/8"
Depth	25"
Height	7-3/4"

Electrolux Major Appliances, N.A.

CANADA • 5855 Terry Fox Way • Mississauga, ON L5V 3E4 • 1-800-265-8352 • electroluxicon.ca

E36GC76PRS 03/16

© 2016 Electrolux Major Appliances, N.A.

High standards of quality at Electrolux Home Products, Inc. mean we are constantly working to improve our products. We reserve the right to change specifications or discontinue models without notice.

Printed in Canada