

# Gas Slide-In Cooktop

professional series

**E36GC76PRS**



## PRODUCT DIMENSIONS

Width	35-7/8"
Depth	25"
Height	7-3/4"

## MORE EASY-TO-USE FEATURES

**Sealed Power Burners**

**Black Ceramic Glass Cooking Surface**

**Pilotless Ignition**

**A.D.A. Compliant**

When properly installed, this model is A.D.A.-qualified based on the United States Access Board's A.D.A./A.B.A. Accessibility Guidelines and the Department of Justice's 2010 A.D.A. Standards for Accessible Design.

## Signature Features



### Min-2-Max Burners®

With the widest range of BTU performance in the industry, these best-in-class dual-flame sealed burners offer unrivaled versatility — from a roaring 20,000-BTU boil to a gentle 1,100-BTU simmer.



### Continuous Grates

Designed for cooking multiple dishes at varying temperatures on a single cooktop, continuous grates allow you to move even the heaviest pots and pans from burner to burner with the utmost ease.



### Professional-Style Controls

Large 270 degree knobs give you precise control while cooking, so you get the results you want.



### Versatile Cooking Accessories

Interchangeable accessories include a griddle plate, a special wok ring and simmer plate — so you can customize the cooktop to fit your cooking needs.

BURNER	BTU
Right Front	20,000 – 1,100
Right Rear	9,500
Left Front	20,000
Left Rear	14,000
Center Front	14,000
Center Rear	5,000 – 1,500

## 36" GAS SLIDE-IN COOKTOP

Configuration	6 Sealed Burners
---------------	------------------

### FEATURES

Formed Stainless Steel Platform	Yes
Professional-Style Controls	Yes
Min-2-Max Burners® (BTU)	2 (20,000 – 1,100)
Sealed Power Burner™ (BTU)	2 (14,000)
Sealed Burner (BTU)	1 (9,500)
Sealed Precision Burner™ (BTU)	1 (5,000 – 1,500)
Linear Flow Burner Valves	Yes
Electronic Pilotless Ignition	Yes
Continuous Grates	3
A.D.A. Compliant*	Yes

### ACCESSORIES

Griddle	Included
Wok Ring	Included
Simmer Plate	Included
LP Gas Conversion Kit	Included
9" Stainless Steel Backguard – PN# 903048-9010	Optional
Depth Adjustment Filler Kit** – PN# 903051-9010	Optional

### SPECIFICATIONS

Gas Inlet/Power Supply Location	Right Rear
Voltage Rating	120V/60Hz
Connected Load (kW Rating) @ 120 Volts <sup>‡</sup>	0.12
Electrical Cable	Included
Approved for Single Oven Combination Installation***	No
Shipping Weight (Approx.)	120 Lbs.

\*When properly installed, this model is A.D.A.-qualified based on the United States Access Board's A.D.A./A.B.A. Accessibility Guidelines and the Department of Justice's 2010 A.D.A. Standards for Accessible Design.

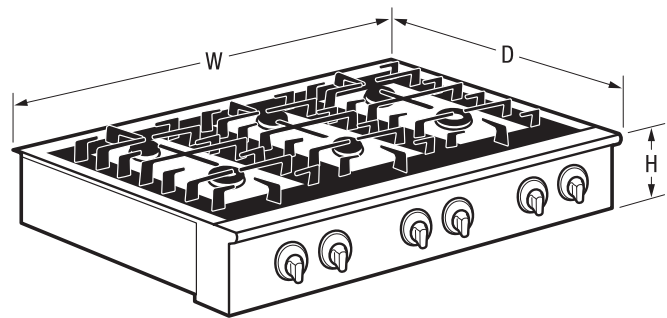
\*\*When replacing an existing cooktop with countertop cutout deeper than 7-1/4" and less than 8-1/2", order free Depth Adjustment Filler Kit.

\*\*\*Not approved to be used over any Electrolux ICON® Single Wall Oven.

‡For use on adequately wired 120V, dedicated circuit having 2-wire service with a separate ground wire. Appliance must be grounded for safe operation.

NOTE: Always consult local and national electric and gas codes. Refer to Product Installation Guide for detailed installation instructions on the web at [electroluxicon.com](http://electroluxicon.com).

Specifications subject to change.



NOTE: Always consult local and national electric and gas codes. Refer to Product Installation Guide for detailed installation instructions on the web at [electroluxicon.com](http://electroluxicon.com).

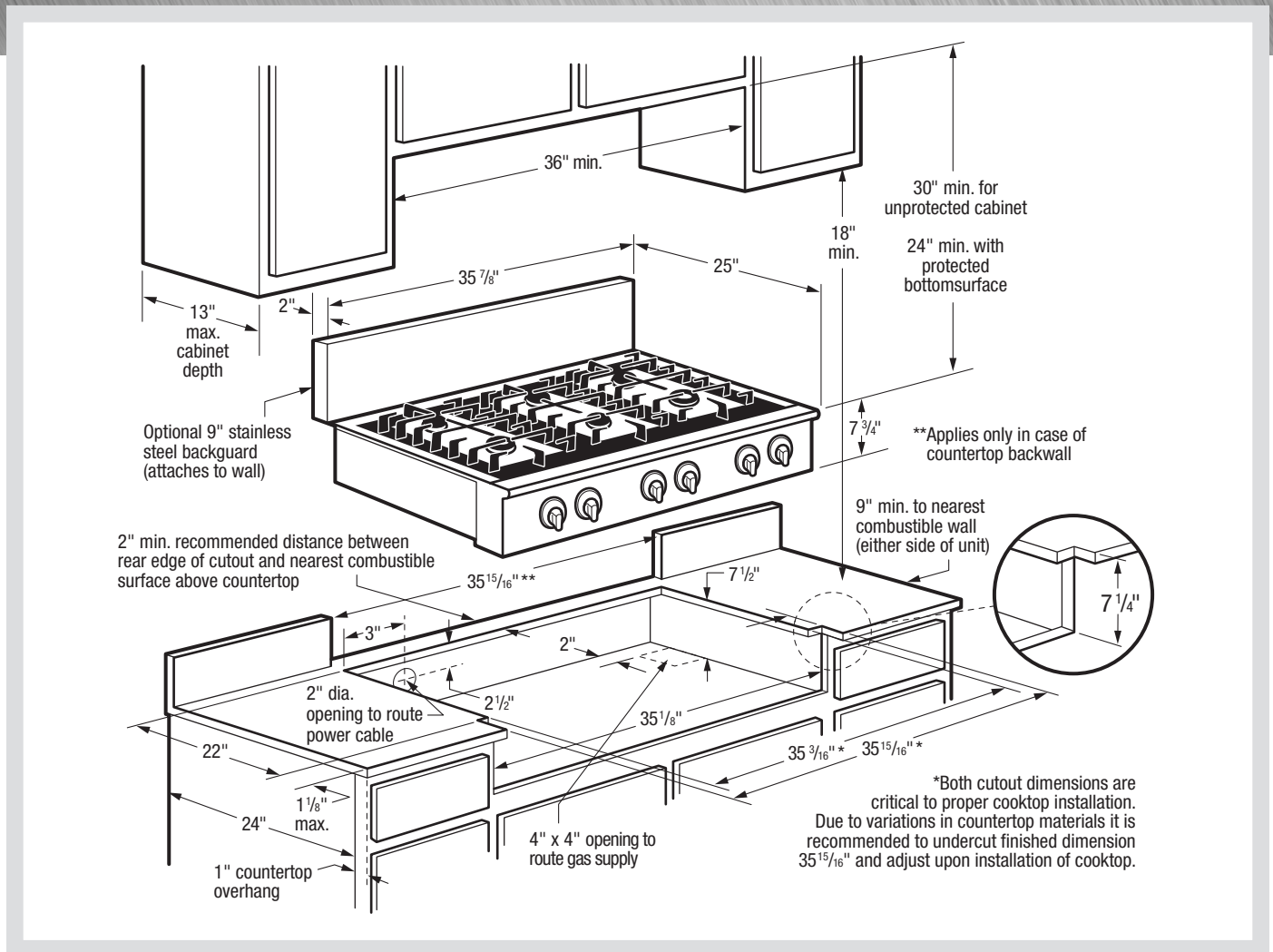


### PRODUCT DIMENSIONS

Width	35-7/8"
Depth	25"
Height	7-3/4"

## Electrolux Major Appliances, N.A.

USA • 10200 David Taylor Drive • Charlotte, NC 28262 • 1-877-4electrolux (1-877-435-3287) • [electroluxicon.com](http://electroluxicon.com)  
 CANADA • 5855 Terry Fox Way • Mississauga, ON L5V 3E4 • 1-800-265-8352 • [electroluxicon.ca](http://electroluxicon.ca)



## 36" Gas Slide-In Cooktop Specifications

- Product Weight – 115 Lbs.
- Voltage Rating – 120V/60 Hz
- Connected Load (kW Rating) @ 120 Volts = 0.12 kW  
(For use on adequately wired 120V, dedicated circuit having 2-wire service with a separate ground wire. Appliance must be grounded for safe operation.)
- Amps @ 120 Volts = 0.008 A
- Always consult local and national electric and gas codes.
- Cooktop ships with 3/4" factory regulator.
- LP Gas conversion kit supplied.
- Plan installation to have electrical connection, gas shutoff valve, and pressure regulator accessible from front of cabinet. Locate 120V grounded outlet in a 4"W x 5"H area on rear wall, 16" above floor, aligned center with cooktop.
- Cabinet and/or countertop must completely enclose recessed portion of cooktop. Respect cutout dimensions and clearances and ensure that all contact surfaces are solid and level.
- Overhead cabinetry should not exceed a 13" maximum depth.
- Allow 30" minimum clearance between top of cooktop and bottom of unprotected wood or metal overhead cabinetry.
- Absolute minimum horizontal distance between overhead cabinets installed to either side of appliance must be no less than maximum width of appliance.
- Allow 24" minimum clearance when bottom of wood or metal overhead cabinet is protected by not less than 1/8" flame-retardant millboard covered with not less than No.28 MSG sheet steel, 0.015" stainless steel, 0.024" aluminum or 0.020" copper.

- Allow 2" minimum clearance between rear edge of cooktop and nearest combustible surface above countertop. If required clearance can not be maintained, then optional stainless steel backguard or noncombustible backguard material must be used — otherwise installation will require custom cabinet and countertop dimensions.
- Allow 9" minimum clearance from edge of cooktop to nearest combustible wall on either side of unit.
- It is recommended that drawers not be used beneath cooktop.
- To reduce risk of fire when using overhead cabinetry, install vent hood that projects horizontally a recommended minimum of 7" beyond bottom of cabinets.
- Gas Slide-In Cooktop model E36GC76PPS is NOT approved to be used over any Electrolux ICON® Single Wall Oven.

**Note:** For planning purposes only. Refer to Product Installation Guide on the web at [electroluxicon.com](http://electroluxicon.com) for detailed instructions.

## Optional Accessories

- When replacing an existing cooktop with countertop cutout deeper than 7-1/4" and less than 8-1/2", order free Depth Adjustment Filler Kit – (PN# 903051-9010).
- 9" Stainless Steel Backguard – (PN# 903048-9010).

## Electrolux Major Appliances, N.A.

USA • 10200 David Taylor Drive • Charlotte, NC 28262 • 1-877-4electrolux (1-877-435-3287) • [electroluxicon.com](http://electroluxicon.com)  
 CANADA • 5855 Terry Fox Way • Mississauga, ON L5V 3E4 • 1-800-265-8352 • [electroluxicon.ca](http://electroluxicon.ca)