

DOUBLE WALL OVEN

EI30EW48TS

Featuring IQ-Touch™ Electronic Controls



PRODUCT DIMENSIONS

Height (Including 1" Bottom Trim)	50-7/16"
Width	30"
Depth (to Front Door Corner)	24-3/4"
(with 90° Door Open)	45-3/4"

MORE EASY-TO-USE FEATURES

PERFECT TASTE® TEMP PROBE

Once your roast has reached the perfect temperature, the controls automatically adjust temperature to the Keep Warm setting to help prevent overcooking.

FRESH STEAM CLEAN

Keep your oven looking its best with the light 20-minute oven cleaning cycle that's chemical-free and odour-free.

LARGE OVEN CAPACITY

Coordinate an entire meal with our largest oven that features 5.1 cu. ft. of cooking space with three adjustable racks.

LUXURY-GLIDE® OVEN RACKS

With a ball bearing system, the oven racks are so smooth they extend effortlessly.

IQ-TOUCH™ CONTROLS

Modern, sleek controls that display all of the cooking modes at all times.

CONVECTION CONVERSION

Automatically adjusts standard baking temperatures to convection temperatures, for perfect, consistent results.

PERFECT FIT PROMISE

Use our Perfect Fit tool to help find the right oven for you. Then, we guarantee it will fit your existing space or we'll reimburse your cabinet modification.

PLATINUM STAR® LIMITED WARRANTY

Our exclusive limited warranty that includes 3-year coverage on parts and one year on labour.²

SIGNATURE COBALT BLUE INTERIOR

Provides a sleek, premium look even when your oven is open.

SIGNATURE FEATURES



PERFECT TASTE® ADVANCED CONVECTION

Enjoy savory meats and tender vegetables at every meal — two convection fans to evenly control heat and air that results in better baking and roasting.



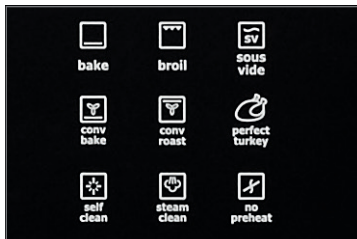
AIR SOUS VIDE

Create extraordinary meals at home with Air Sous Vide that uses precisely controlled low temperature and airflow around vacuum-sealed ingredients to lock in the flavor and aroma of your recipe.



PERFECT TURKEY® BUTTON

Precisely times your convection roast for delicious turkey — crispy on the outside and juicy on the inside. Includes a countdown so you can time your other dishes for the perfect meal.



NO PREHEAT

Savor sooner — start baking immediately with No Preheat that adjusts your oven temperature throughout the baking process so you can start cooking while your oven is still heating up to your desired temperature.¹

Available in:



Stainless
(S)

¹No Preheat mode is best used for single-rack baking of frozen or pre-made items and food that needs to cook for longer than 10 minutes.

²Eligibility based on product registration with Electrolux North America within 60 days of purchase.

DOUBLE WALL OVEN

EI30EW48TS



30" ELECTRIC DOUBLE WALL OVEN

Configuration	Double
---------------	--------

CONTROL PANEL FEATURES

IQ-Touch™ Electronic Oven Controls	Yes
Keypad Entry of Time & Temperature	Yes
Electronic Clock & Timer	Yes
Temperature Display	Yes
Toggle Control	Yes
Automatic Oven (Delay, Cook & Off)	Yes
Lockout	Yes
Automatic Oven Shutoff – 12 Hour	Yes
Programmable for °F or °C	Yes
Halogen Oven Lights/Touch Pad On/Off	Yes

OVEN FEATURES

Oven Cavity (both ovens)	5.1 Cu. Ft.
Hidden Bake Element	Yes
Electric Bake Element – 2000 Watts	Yes
Six-Pass Broil Element – 4000 Watts	Yes
Convection Element – 3400 Watts	Yes
Cobalt Blue Interior	Yes
Self-Clean Options with Door Lock	3
Fresh Steam Clean	Yes
Perfect Taste® Advanced Convection with Variable 2-Speed Fans	Yes
Cooking Modes – Bake, Broil, Sous Vide, Convection Bake, Convection Roast, Perfect Turkey®, Keep Warm	7
Baking Options – Temperature Probe, No Preheat, Delay Bake, Convection Convert	4
Halogen Oven Lights (Dual 25W Bulbs)	Yes
Luxury-Glide® Racks	1
Conventional Racks	2

ADDITIONAL FEATURES

Signature Soft-Arc Handle Design	Yes
Flat Oven Door Design	Yes
Extra-Large Glass Windows	Yes
Sabbath Mode (Star-K® Certified)	Yes

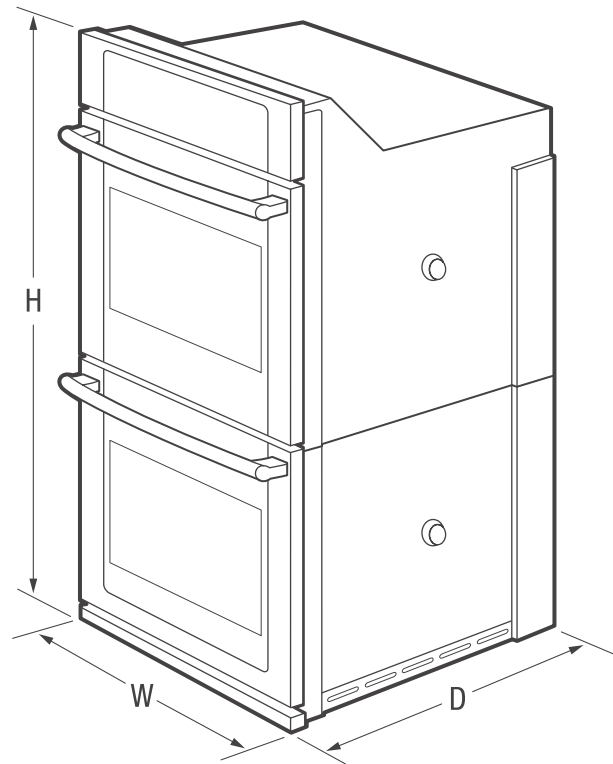
ACCESSORIES

Porcelain Broiler Pan and Insert	Included
3"-High Bottom Trim: S – PN# 903114-9110	Optional
10'-Long Armoured Power Cable – PN# 903056-9010	Optional

SPECIFICATIONS

Colour –	
Stainless Steel	S
Power Supply Connection Location	Left Bottom Rear
Connected Load (kW Rating) @ 240/208 Volts	9.5/7.1
Amps @ 240/208 Volts	39.6/34.1
Minimum Circuit Required (Amps)	40
3-1/2'-Long Armoured Electrical Cable	Included
Shipping Weight (Approx.)	305 Lbs.

NOTE: Always consult local and national electric codes. Refer to Product Installation Guide for detailed installation instructions on the web at electroluxappliances.ca. Specifications subject to change.



PRODUCT DIMENSIONS

Height (Including 1" Bottom Trim)	50-7/16"
Width	30"
Depth (to Front Door Corner)	24-3/4"
Depth (with 90° Door Open)	45-3/4"

OVEN CAVITY DIMENSIONS

Height	18-5/8"
Width	24-1/8"
Depth	19-1/2"

Electrolux Major Appliances, N.A.

CANADA • 5855 Terry Fox Way • Mississauga, ON L5V 3E4 • 1-800-265-8352 • electroluxappliances.ca

EI30EW48T 09/17

© 2017 Electrolux Major Appliances, NA

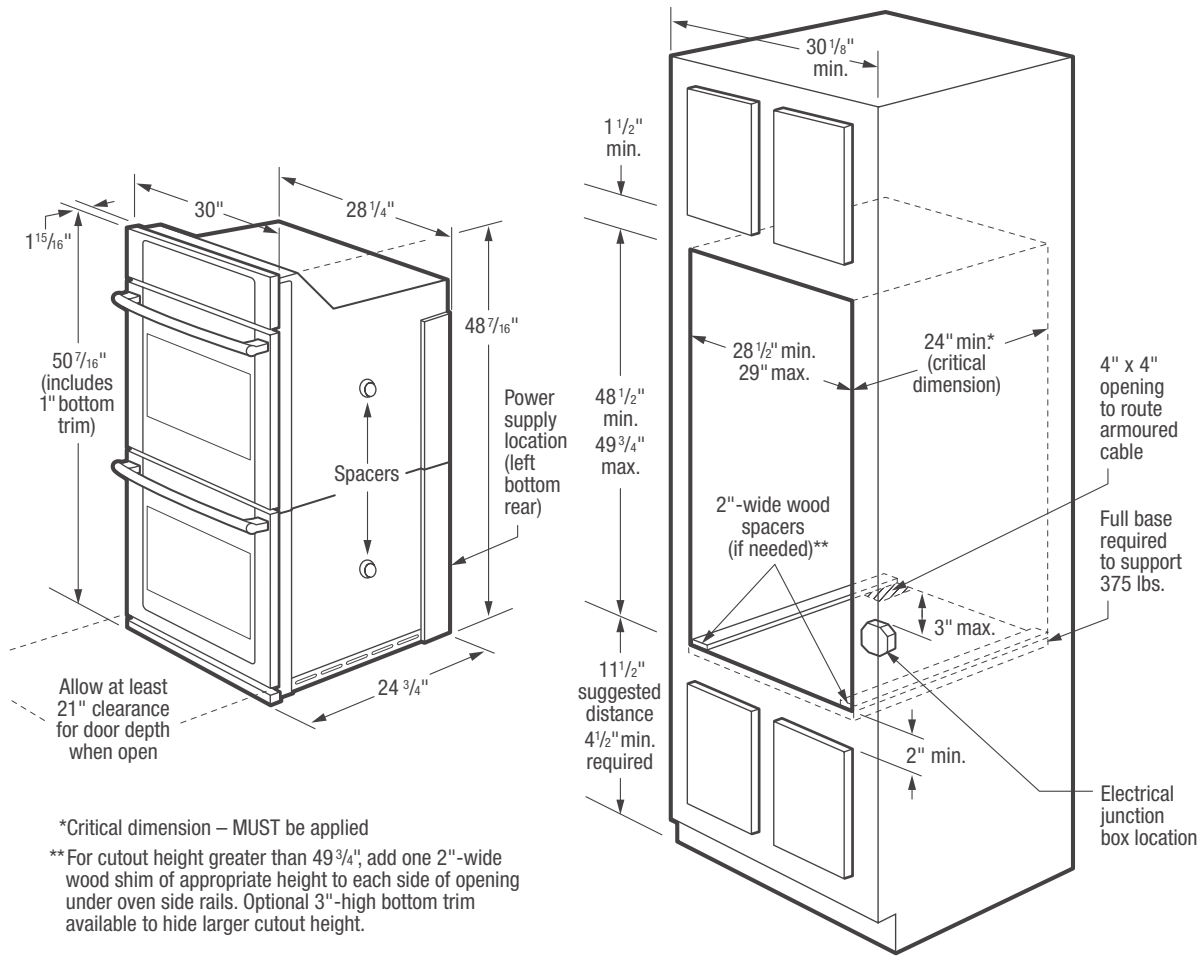
Printed in Canada



High standards of quality at Electrolux Home Products, Inc. mean we are constantly working to improve our products. We reserve the right to change specifications or discontinue models without notice.

DOUBLE WALL OVEN

EI30EW48TS



30" Electric Double Wall Oven Specifications

- Product Weight – 275 Lbs.
- Single phase 3- or 4-wire cable, 120 /240 or 120/208 Volt, 60 Hertz AC only electrical supply with ground required on separate circuit fused on both sides of line.
- Connected Load (kW Rating) @ 240/208 Volts = 9.5 /7.1 kW
- Amps @ 240/208 Volts = 39.6 /34.1 Amps
- Recommended Circuit Breaker – 40 Amps
- Always consult local and national electric codes.
- Minimum 21" clearance for oven door depth when open.
- Suggested distance from floor is 11-1/2". Minimum required distance is 4-1/2".
- Minimum 24" deep cutout dimension is critical for proper installation, to ensure that oven's faceplate will fit flush against cabinet front.
- For cutout height greater than 49-3/4", add one 2"-wide wood shim of appropriate height to each side of opening under oven side rails. Optional 3"-high bottom trim available to hide larger cutout height.

- Full oven base of solid plywood or similar material required, capable of supporting 375 Lbs.
- Base must be level and cabinet front must be square.
- Double Wall Ovens are NOT approved to be used in stackable or side-by-side installation.

Note: For planning purposes only. Refer to Product Installation Guide on the web at electroluxappliances.ca for detailed instructions.

Optional Accessories

- 3"-High Bottom Trim: S – (PN# 903114-9110).
- 10'-Long Armoured Power Cable – (PN# 903056-9010).

Electrolux Major Appliances, N.A.

CANADA • 5855 Terry Fox Way • Mississauga, ON L5V 3E4 • 1-800-265-8352 • electroluxappliances.ca

EI30EW48T 09/17

© 2017 Electrolux Major Appliances, NA



High standards of quality at Electrolux Home Products, Inc. mean we are constantly working to improve our products. We reserve the right to change specifications or discontinue models without notice.

Printed in Canada