

EN FRONT LOAD DRYER
FR SÉCHEUSE À CHARGEMENT FRONTAL
ES SECADORA DE CARGA FRONTAL

INSTALLATION INSTRUCTIONS
INSTRUCTIONS D'INSTALLATION
INSTRUCCIONES DE INSTALACIÓN



2 Important Safety Instructions

⚠ WARNING

For your safety the information in this manual must be followed to minimize the risk of fire or explosion or to prevent property damage, personal injury or loss of life. Do not store or use gasoline or other flammable vapors and liquids in the vicinity of this or any other appliance.

⚠ WARNING - RISK OF FIRE

Read all of the following instructions before installing and using this appliance:

- Destroy the carton and plastic bags after the dryer is unpacked. Children might use them for play. Cartons covered with rugs, bedspreads, or plastic sheets can become airtight chambers causing suffocation. Place all materials in a garbage container or make materials inaccessible to children.
- Clothes dryer installation and service must be performed by a qualified installer or service agency.
- Install the clothes dryer according to the manufacturer's instructions and local codes.
- The electrical service to the dryer must conform with local codes and ordinances and the latest edition of the National Electrical Code, ANSI/NFPA 70, or in Canada, the Canadian electrical code C22.1 part 1.
- The dryer is designed under ANSI Z 21.5.1 or ANSI/UL 2158 - CAN/CSA C22.2 No. 112 (latest editions) for HOME USE only. This dryer is not recommended for commercial applications such as restaurants, beauty salons, etc.
- Do not stack a dryer on top of washer already installed on pedestal. Do not stack dryer on top of another dryer. Do not stack washer on top of dryer. Do not stack washer on top of another washer. Do not stack dryer on top of washer without use of manufacturer approved and correctly installed stacking kit appropriate for your model.
- The instructions in this manual and all other literature included with this dryer are not meant to cover every possible condition and situation that may occur. Good safe practice and caution **MUST** be applied when installing, operating and maintaining any appliance.

⚠ CAUTION

EXCESSIVE WEIGHT HAZARD

To avoid back or other injury, have more than one person move or lift the appliance.

⚠ WARNING

EXPLOSION HAZARD

Do not install the dryer where gasoline or other flammables are kept or stored. If the dryer is installed in a garage, it must be a minimum of 18 inches (45.7 cm) above the floor. Failure to do so can result in death, explosion, fire or burns.

📌 IMPORTANT

DO NOT INSTALL YOUR DRYER:

- 1 ... in an area exposed to dripping water or outside weather conditions.
- 2 ... on carpet. Floor **MUST** be solid with a maximum slope of 1 inch (2.5 cm).

**SAVE THESE INSTRUCTIONS
FOR FUTURE REFERENCE.**

TABLE OF CONTENTS

Important Safety Instructions	2-3
Installation Requirements.....	4-5
Installation Instructions	6-11
Reversing Door.....	12-13
Accessories.....	14
Notes	15
Français.....	16
Español	30

⚠️ WARNING

Please read all instructions before using this dryer.

Recognize safety symbols, words and labels

Safety items throughout this manual are labeled with a WARNING or CAUTION based on the risk type as described below:

Definitions

⚠️ This is the safety alert symbol. It is used to alert you to potential personal injury hazards. Obey all safety messages that follow this symbol to avoid possible injury or death.

⚠️ DANGER

DANGER indicates an imminently hazardous situation which, if not avoided, will result in death or serious injury.

⚠️ WARNING

WARNING indicates a potentially hazardous situation which, if not avoided, could result in death or serious injury.

⚠️ CAUTION

CAUTION indicates a potentially hazardous situation which, if not avoided, may result in minor or moderate injury.

📌 IMPORTANT

IMPORTANT indicates installation, operation or maintenance information which is important but not hazard-related.

☑️ Installation Checklist

Unpacking

- Plastic film (lining drum interior) is removed and discarded. See also image below.

Leveling

- Dryer is level, side-to-side and front-to-back
- Cabinet is setting solid on all corners

240v Electric Supply

- Approved NEMA 10-30R or 14-30R service cord with all screws tight on terminal block
- Terminal access cover/strain relief installed before initial operation

Door Reversal

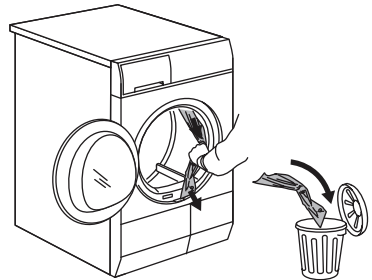
- Follow detailed instructions in this guide
- Test hinge and latch for function

Electrical Power





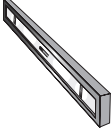
- House power turned on
- Dryer plugged in

Final Checks

- Installation Instructions and Use and Care Guide read thoroughly
- Door latches and drum tumbles when cycle starts
- Registration card sent in



Tools and materials needed for installation:

	OR		AND		AND		AND	
Optional universal wrench available from dealer		Adjustable pliers		3 or 4-wire 240 volt cord kit		Phillips screwdriver		Carpenter's level

4 Installation Requirements

Electrical requirements for electric dryer

NOTE

Because of potentially inconsistent voltage capabilities, the use of this dryer with power created by gas powered generators, solar powered generators, wind powered generators or any other generator other than the local utility company is not recommended.

CIRCUIT - Individual 30 amp. branch circuit fused with 30 amp. time delay fuses or circuit breakers. Use separately fused circuits for washer and dryer. DO NOT operate a washer and a dryer on the same circuit.

POWER SUPPLY - 3-wire or 4-wire, 208-240 volt, single phase, 60 Hz, Alternating Current.

IMPORTANT

This dryer is internally grounded to neutral unless it was manufactured for sale in Canada.

Only a 4-conductor cord shall be used when the appliance is installed in a location where grounding through the neutral conductor is prohibited. Grounding through the neutral link is prohibited for: (1) new branch circuit installations, (2) mobile homes, (3) recreational vehicles, and (4) areas where local codes do not permit grounding through the neutral.

OUTLET RECEPTACLE - NEMA 10-30R or NEMA 14-30R receptacle to be located so the power supply cord is accessible when the dryer is in the installed position.

GROUNDING CONNECTION - See "Grounding requirements" in Electrical Installation section.

4-WIRE POWER SUPPLY CORD KIT (not supplied)



4-wire receptacle
(NEMA type 14-30R)

The dryer MUST employ a 4-conductor power supply cord NEMA 14-30 type SRDT or ST (as required) rated at 240 volt AC minimum, 30 amp, with 4 open end spade lug connectors with upturned ends or closed loop connectors and marked for use with clothes dryers. For 4-wire cord connection instructions see ELECTRICAL CONNECTIONS FOR A 4-WIRE SYSTEM.

NOTE

Dryers manufactured for sale in Canada have factory-installed, 4-wire power supply cord (NEMA 14-30R).

3-WIRE POWER SUPPLY CORD KIT (not supplied)



3-wire receptacle
(NEMA type 10-30R)

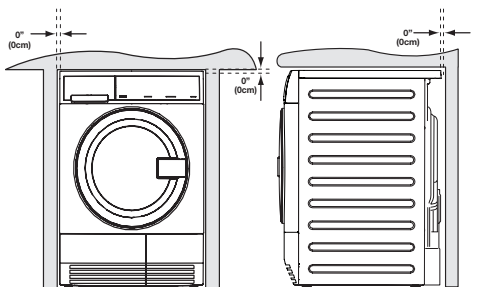
The dryer MUST employ a 3-conductor power supply cord NEMA 10-30 type SRDT rated at 240 volt AC minimum, 30 amp, with 3 open end spade lug connectors with upturned ends or closed loop connectors and marked for use with clothes dryers. For 3-wire cord connection instructions see ELECTRICAL CONNECTIONS FOR A 3-WIRE SYSTEM.

Manufactured or mobile home installation

Installation MUST conform to current Manufactured Home Construction & Safety Standard, Title 24 CFR, Part 32-80 (formerly the Federal Standard for Mobile Home Construction and Safety, Title 24, HUD Part 280) or Standard CAN/CSAZ240 MH.

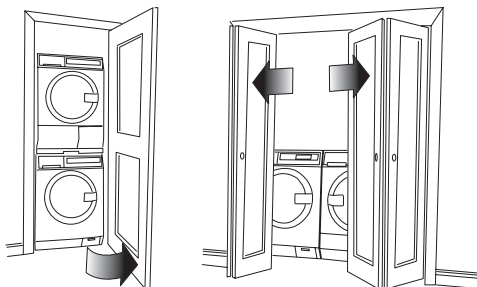
Clearance requirements

MINIMUM INSTALLATION CLEARANCES - Inches (cm)				
	SIDES	REAR	TOP	FRONT
Alcove	0" (0 cm)	0" (0 cm)*	0" (0 cm)	n/a
Under Counter	0" (0 cm)	0" (0 cm)*	0" (0 cm)	n/a

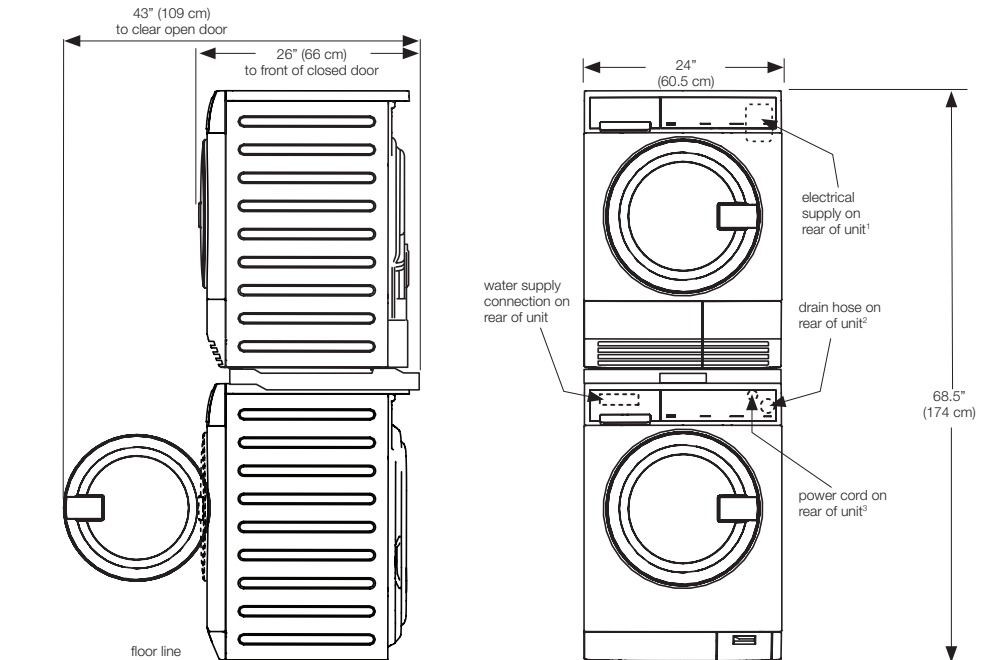
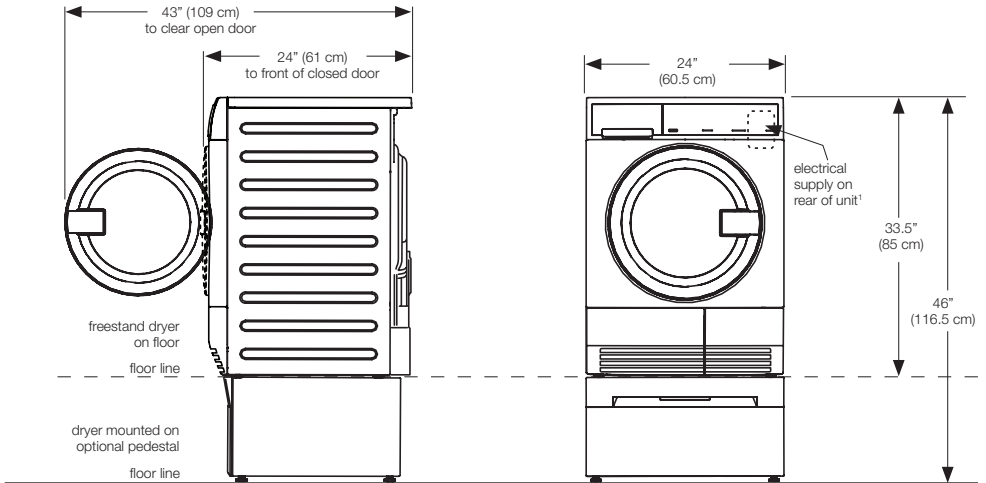


Closet Installation

If installing the dryer in a closet, the unit must only be operated with the door in the open position to allow correct air circulation. See Use and Care Guide for more information.



Dryer Dimensions



¹Power supply cord length on Canadian dryer approximately 59 inches (150 cm).

²Drain hose length on washer approximately 55 inches (140 cm).

³Power supply cord length on washer approximately 59 inches (150 cm).

6 Installation Instructions

Electrical installation

The following are specific requirements for proper and safe electrical installation of your dryer. Failure to follow these instructions can create electrical shock and/or a fire hazard.

WARNING

ELECTRICAL SHOCK HAZARD

- This appliance **MUST** be properly grounded. Electrical shock can result if the dryer is not properly grounded. Follow the instructions in this manual for proper grounding.
- Do not use an extension cord with this dryer. Some extension cords are not designed to withstand the amounts of electrical current this dryer utilizes and can melt, creating electrical shock and/or fire hazard. Locate the dryer within reach of the receptacle for the length power cord to be purchased, allowing some slack in the cord. Refer to the pre-installation requirements in this manual for the proper power cord to be purchased.

WARNING

ELECTRICAL SHOCK HAZARD

- A U.L.-approved strain relief must be installed onto power cord. If the strain relief is not attached, the cord can be pulled out of the dryer and can be cut by any movement of the cord, resulting in electrical shock.
- Do not use an aluminum wired receptacle with a copper wired power cord and plug (or vice versa). A chemical reaction occurs between copper and aluminum and can cause electrical shorts. The proper wiring and receptacle is a copper wired power cord with a copper wired receptacle.

NOTE

Dryers operating on 208 volt power supply will have longer drying times than dryers operating on 240 volt power supply.

Grounding requirements - Electric dryer (USA)

WARNING

ELECTRICAL SHOCK HAZARD

Improper connection of the equipment grounding conductor can result in a risk of electrical shock. Check with a licensed electrician if you are in doubt as to whether the appliance is properly grounded.

For a grounded, cord-connected dryer:

- 1 The dryer **MUST** be grounded. In the event of a malfunction or breakdown, grounding will reduce the risk of electrical shock by a path of least resistance for electrical current.
- 2 After you purchase and install a 3 wire or 4 wire power supply cord having an equipment-grounding conductor and a grounding plug that matches you wiring system, the plug **MUST** be plugged into an appropriate, copper wired receptacle that is properly installed and grounded in accordance with all local codes and ordinances. If in doubt, call a licensed electrician.
- 3 **DO NOT** modify the plug you've installed on this appliance. If it will not fit the outlet, have a proper outlet installed by a qualified electrician.

Grounding requirements - Electric dryer (Canada)

WARNING

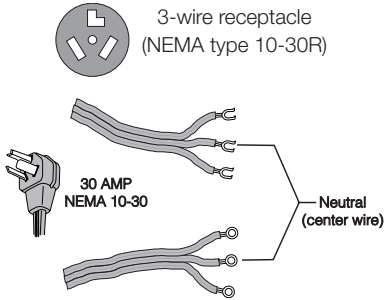
ELECTRICAL SHOCK HAZARD

Improper connection of the equipment grounding conductor can result in a risk of electrical shock. Check with a licensed electrician if you are in doubt as to whether the appliance is properly grounded.

For a grounded, cord-connected dryer:

- 1 The dryer **MUST** be grounded. In the event of a malfunction or breakdown, grounding will reduce the risk of electrical shock by a path of least resistance for electrical current.
- 2 Since your dryer is equipped with a power supply cord having an equipment-grounding conductor and a grounding plug, the plug must be plugged into an appropriate outlet that is properly installed and grounded in accordance with all local codes and ordinances. If in doubt, call a licensed electrician.
- 3 **DO NOT** modify the plug provided with this appliance. If it will not fit the outlet, have a proper outlet installed by a qualified electrician.

Electrical connection (non-Canada) - 3 wire cord



⚠ WARNING

ELECTRICAL SHOCK HAZARD

Failure to disconnect power source before servicing could result in personal injury or even death.

- 1 Turn off power supply to outlet.
- 2 Remove the three screws securing the terminal block access cover in the upper corner on the back of the dryer.
- 3 Using an UNPLUGGED, UL-approved, 30 amp. power cord, NEMA 10-30 type SRDT, attach the neutral (center wire) conductor to the SILVER colored center terminal on the terminal block. Tighten the screw securely.

📌 NOTE

Terminal screws were shipped from the factory temporarily attached inside the access cover.

- 4 Attach the remaining two power cord outer conductors to the outer, BRASS colored terminals on the terminal block. Tighten both screws securely.

⚠ WARNING

ELECTRICAL SHOCK HAZARD

Do not make a sharp bend or crimp wiring/conductor at connections.

- 5 Reinstall the terminal block cover.

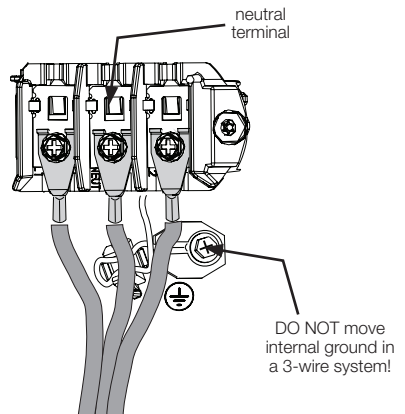
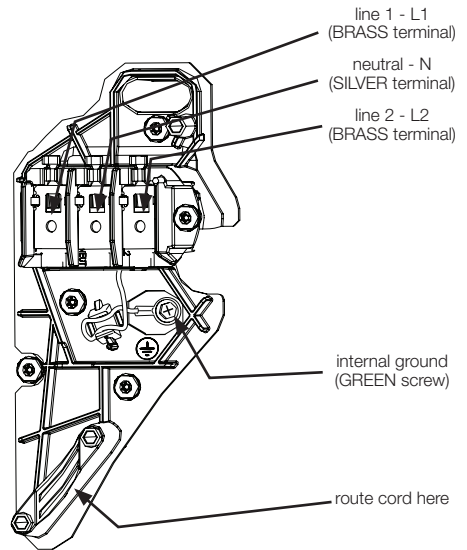
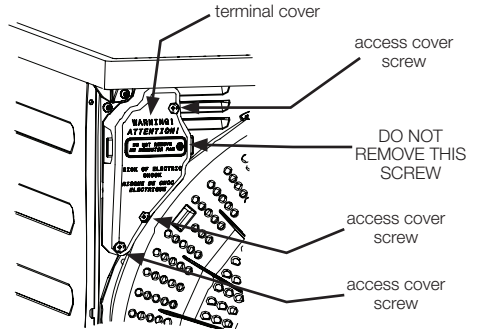
⚠ WARNING

ELECTRICAL SHOCK HAZARD

Do not operate dryer without terminal cover in place. A correctly installed terminal block cover also acts a qualified strain relief for the power cord.

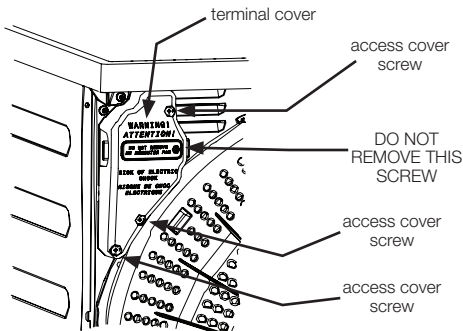
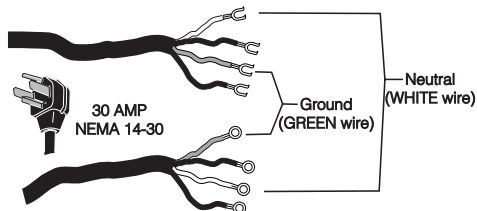
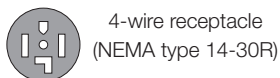
📌 IMPORTANT

If moving dryer from a 4-wire system and installing it now in a 3-wire system, move the internal ground wire from the center terminal back to the GREEN screw under the terminal block.



8 Installation Instructions

Electrical connection (non-Canada) - 4 wire cord



⚠ WARNING

ELECTRICAL SHOCK HAZARD

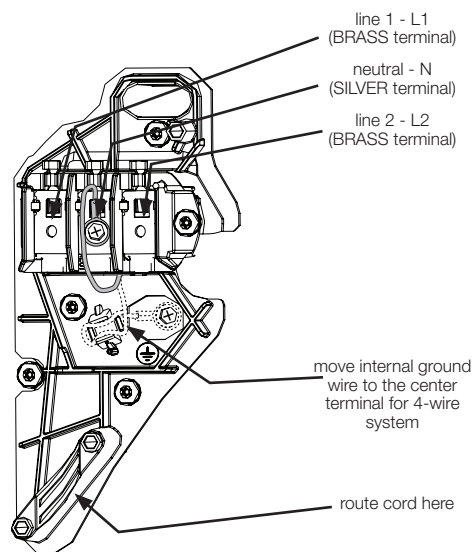
Failure to disconnect power source before servicing could result in personal injury or even death.

- 1 Turn off power supply to outlet.
- 2 Remove the three screws securing the terminal block access cover in the upper corner on the back of the dryer.
- 3 Disconnect the internal (WHITE) dryer harness ground wire from the (GREEN) ground screw next to the terminal block.
- 4 Using an UNPLUGGED, UL-approved, 30 amp. power cord, NEMA 14-30 type ST or SRDT, attach the ground (GREEN) power cord wire to the cabinet with the ground (GREEN) screw. Tighten the screw securely.

📌 NOTE

Terminal screws were shipped from the factory temporarily attached inside the access cover.

- 5 Move the internal dryer harness ground (WHITE) wire to the terminal block and attach it along with the neutral (WHITE) power cord wire conductor to the center, SILVER colored terminal on the terminal block. Tighten the screw securely.
- 6 Attach the RED and BLACK power cord conductors to the outer, BRASS colored terminals on the terminal block. Tighten both screws securely.



⚠ WARNING

ELECTRICAL SHOCK HAZARD

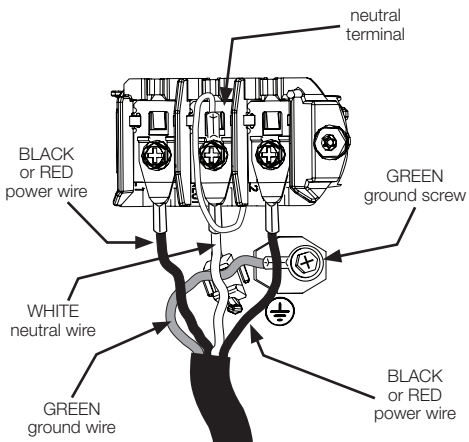
Do not make a sharp bend or crimp wiring/conductor at connections.

- 7 Reinstall the terminal block cover.

⚠ WARNING

ELECTRICAL SHOCK HAZARD

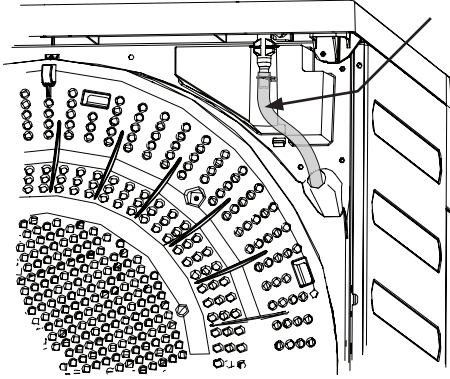
Do not operate dryer without terminal cover in place. A correctly installed terminal block cover also acts a qualified strain relief for the power cord.



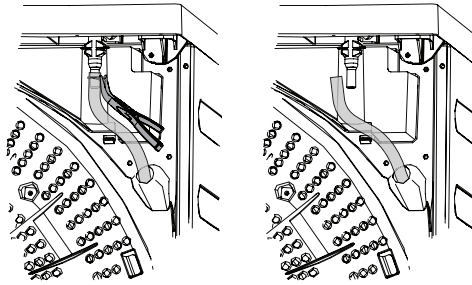
Direct Drain Kit (on some models)

If your model included a direct drain kit, you may follow the instructions below to install it on your dryer for convenient drainage of your dryer's condensed water.

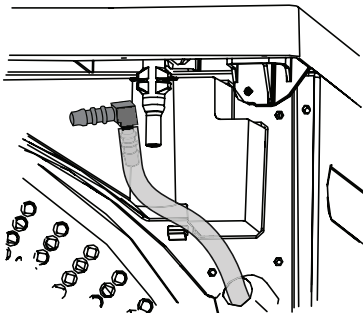
- 1 Locate the red tubing and plastic fitting on the back of the dryer.



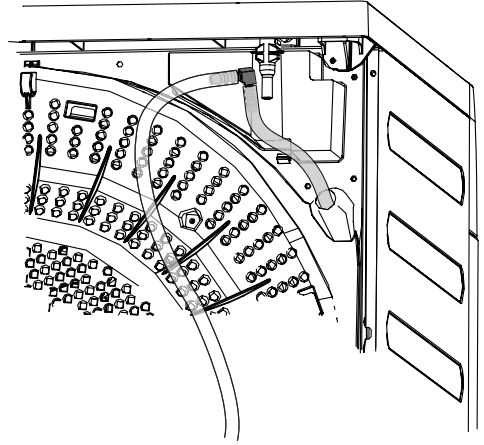
- 2 With a pair of pliers, release the hose clamp and remove the tubing from the plastic fitting.



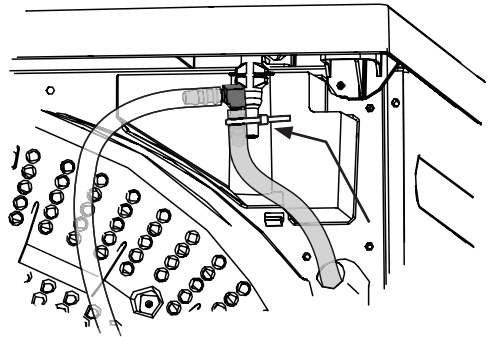
- 3 Retrieve the 90 degree plastic elbow from the direct drain installation kit that came with your dryer and install it onto the red tubing.



- 4 Retrieve the clear tubing that came in the kit and install it also onto the elbow.



- 5 With the plastic cable tie that came with the kit, secure the elbow and tubes to the plastic fitting.

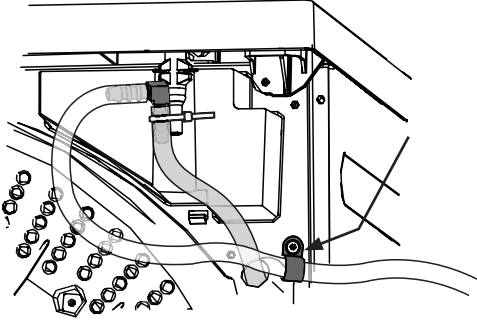


Direct Drain Kit continued on next page...

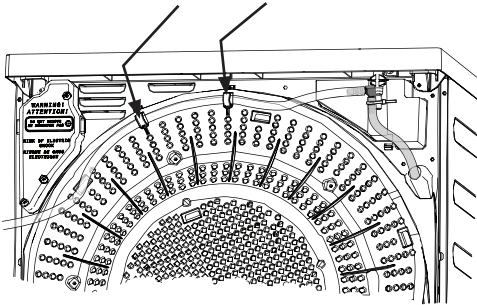
10 Installation Instructions

Direct Drain Kit, continued

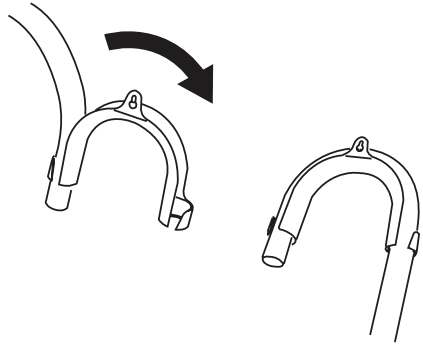
- 6 To route the drain tube to the left of the dryer, secure the tube with the "P" clamp from the kit to the back of the dryer with the cabinet screw shown below.



- 7 To route the drain tube to the right of the dryer, route the tube across the back of the dryer and snap it into the "C" clips shown as below.



- 8 Install the hose hanger from the kit onto the end of the hose and insert in drain.



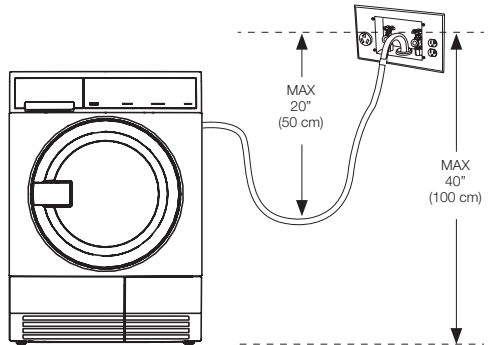
IMPORTANT

Follow these guidelines for proper drain hose installation:

- 1 The distance from the bottom of the drain tube sag to the top of highest part of drain tube should be no more than 20" (50 cm).

Drain tube may need to be shortened with scissors if sag is greater than allowed.

- 2 The drain height location should be no more than 40" (100 cm) above the bottom of the dryer feet.



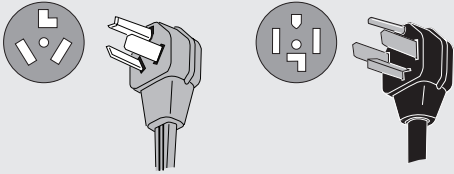
General installation

- 1 Use a carpenter's level to level your dryer front-to-back and side-to-side.
- 2 Use adjustable pliers to adjust the leveling legs so the dryer is level front-to-rear and side-to-side, and stable corner-to-corner.
- 3 Press down on alternate corners and sides and feel for the slightest movement. Adjust the appropriate leg(s) so the dryer sits solidly on the floor on ALL four legs. Keep the leveling leg extension at a minimum for best performance of the dryer.

IMPORTANT

Be sure the power is off at a circuit breaker/fuse box before plugging the power cord into an outlet.

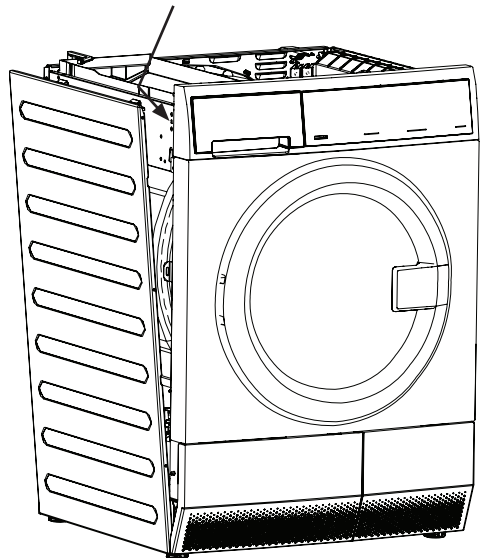
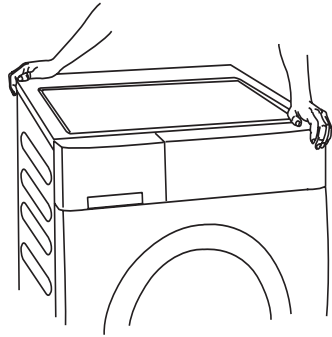
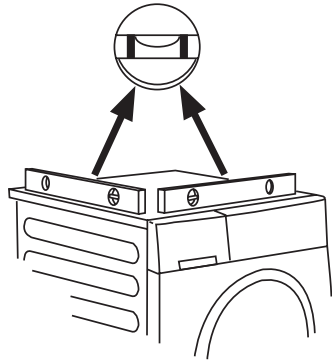
- 4 Plug the power cord into a grounded outlet.



- 5 Turn on the power at the circuit breaker/fuse box.
- 6 Read the Use & Care Guide provided with the dryer. It contains valuable and helpful information that will save you time and money.
- 7 If you have any questions during initial operation, please review the "Avoid Service Checklist" in your Use & Care Guide before calling for service.
- 8 Place these instructions in a location near the dryer for future reference.

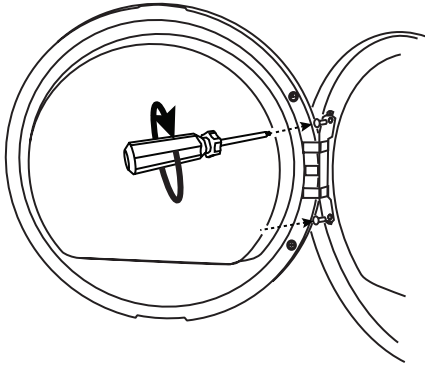
NOTE

A wiring diagram is located next to the water container behind the left cabinet panel.

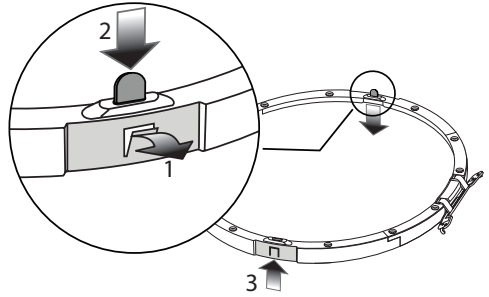


12 Reversing Door

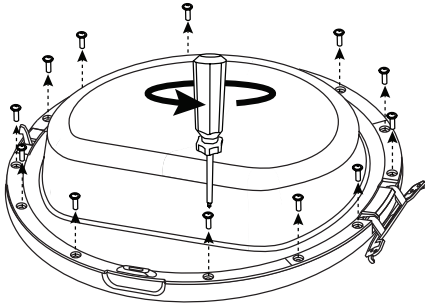
- 1 Protect flat work surface, such as top of dryer or floor near dryer, with a soft cloth or towel.
- 2 Open dryer door and remove the two hinge screws. Remove lower screw first, then upper screw.



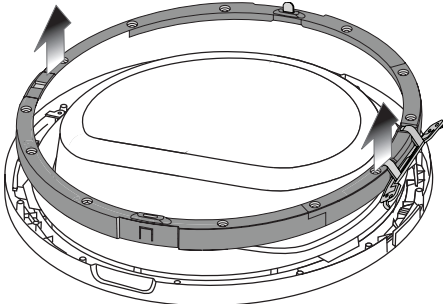
- 6 Release the door switch striker and move it to the opposite location and reinstall. Set the inner door ring aside.



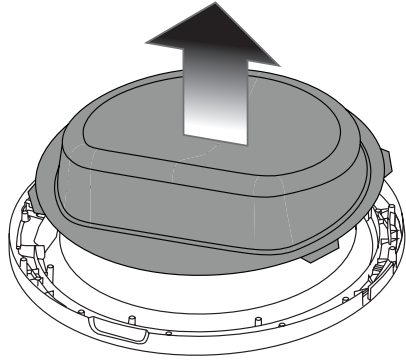
- 3 Gently place dryer door face down on flat, covered work surface.
- 4 Locate the 12 screws (no. 1-12) on the inner door ring. Remove and save these 12 screws.



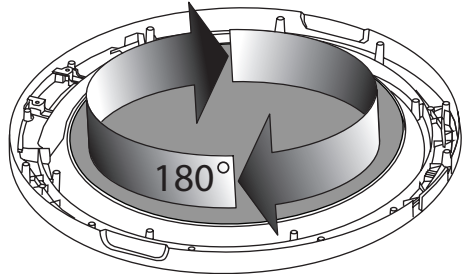
- 5 Separate inner door ring from the rest of the door.



- 7 Lift the inner lens and set it aside.

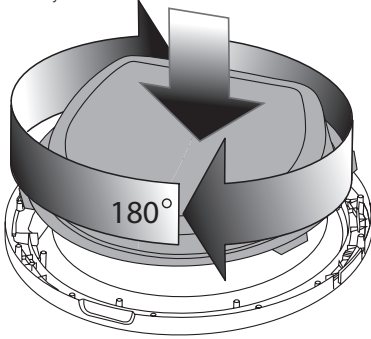


- 8 If your model has 8 screws securing the outer lens in place, remove and save them for later. Lift and rotate the outer lens 180°. Lower the outer lens back in place.

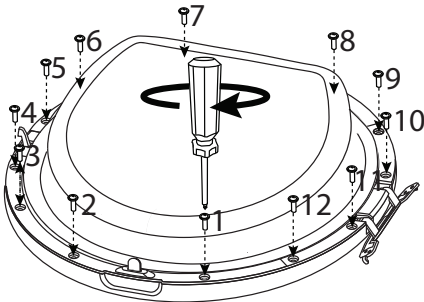


- 9 Reinstall the 8 screws if removed in previous step. If no screws were present, move to next step.

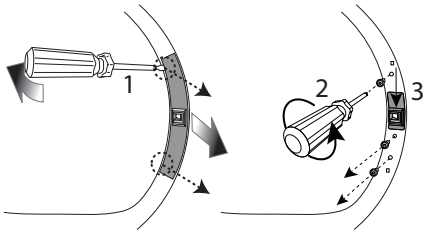
- 10 Rotate inner lens 180° and place back into door assembly.



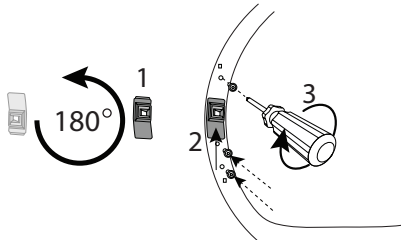
- 11 Reinstall inner door ring with 12 screws removed earlier.



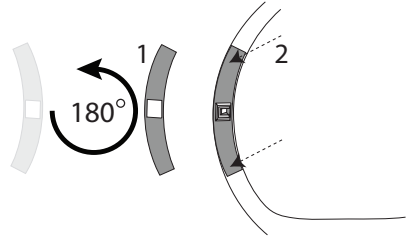
- 12 Gently pry the plastic latch cover from the front panel and set it aside. Remove the 3 screws securing the door latch and release the latch.



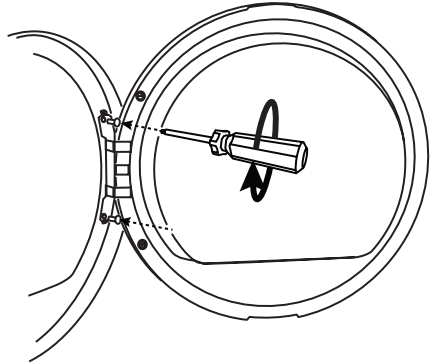
- 13 Rotate the latch 180° and reinstall it in the opposite location.



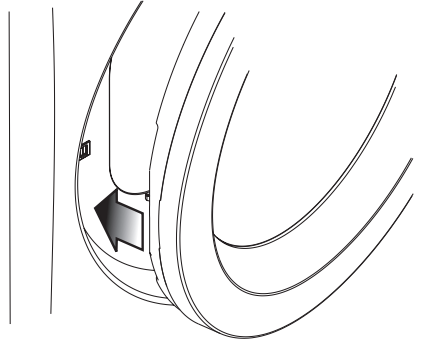
- 14 Rotate the plastic latch cover 180° and snap it in place around the door latch.



- 15 While supporting the door, install the 2 hinge mounting screws removed in first step. Attach the upper screw first and then the lower one.



- 16 Close the door and test operation of hinge, strike and latch.



14 Accessories

MATCHING STORAGE PEDESTAL*

White Pedestal - P/N EPWD200QSW

A storage pedestal accessory, specifically designed for this dryer may be used to elevate the dryer for ease of use.

*Other colors may be available. Contact the source where you purchased your dryer.

DIRECT DRAIN KIT

P/N DK11

Depending on the model you purchased, a direct draining kit for your condensing dryer's water collection system may have been included in the initial purchase of your dryer. If your model did not include a direct draining kit, you may order one.

DRYER STACKING KIT

P/N STACKIT24

Depending on the model you purchased, a kit for stacking this dryer on top of matching washer may have been included in the initial purchase of your dryer. If your model did not include a stacking kit or you desire another stacking kit, you may order one.

DRYING RACK

P/N 916093163

Depending on the model you purchased, a drying rack may have been included in the initial purchase of your dryer. If your model did not include a drying rack or you desire another drying rack, you may order one.

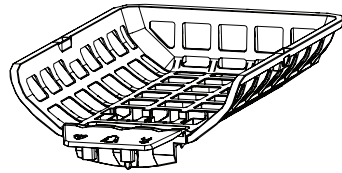
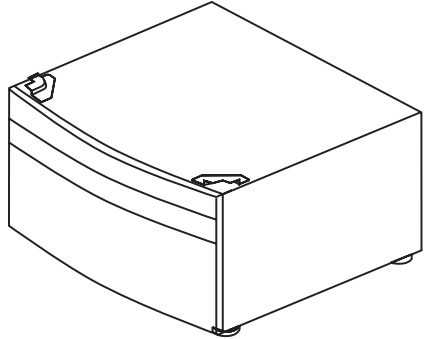
UNIVERSAL APPLIANCE WRENCH

P/N 137019200

A UNIVERSAL APPLIANCE WRENCH is available to aid in dryer/washer/pedestal feet adjustment.

⚠ CAUTION

Failure to use accessories manufactured by (or approved by) the manufacturer could result in personal injury, property damage or damage to the dryer.



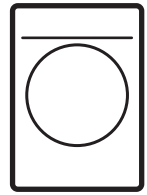
Replacement parts:

If replacements parts are needed for your dryer, contact the source where you purchased your dryer or refer to your *Use and Care Guide* for more information.

⚠ WARNING

ELECTRICAL SHOCK HAZARD

Label all wires prior to disconnection when servicing controls. Wiring errors can cause improper and dangerous operation. Verify proper operation after servicing.



EN FRONT LOAD DRYER
FR SÉCHEUSE À CHARGEMENT FRONTAL
ES SECADORA DE CARGA FRONTAL

INSTALLATION INSTRUCTIONS
INSTRUCTIONS D'INSTALLATION
INSTRUCCIONES DE INSTALACIÓN



Electrolux

⚠ AVERTISSEMENT

Pour votre sécurité, l'information contenue dans ces instructions doit être suivie afin de réduire les risques d'incendie ou d'explosion ou pour prévenir les dommages matériels, les blessures ou la mort. Vous ne devez ni entreposer, ni utiliser d'essence ou d'autres vapeurs ou liquides inflammables à proximité de cet appareil ou de tout autre appareil électroménager.

⚠ AVERTISSEMENT RISQUE D'INCENDIE

Lisez toutes les instructions de sécurité suivantes avant d'installer et d'utiliser votre appareil :

- Détruisez le carton d'emballage et les sacs en plastique après avoir déballé l'appareil. Les enfants pourraient les utiliser pour jouer. Le carton recouvert de tapis, les couvertures et les feuilles de plastique peuvent être étanches à l'air et provoquer la suffocation. Déposez tous les matériaux d'emballage dans un conteneur à déchets ou faites en sorte que les enfants ne puissent y avoir accès.
- L'installation et l'entretien de cette sècheuse doivent être réalisés par un installateur qualifié ou un technicien de service.
- Installez l'appareil conformément aux instructions du fabricant et aux codes locaux.
- L'installation électrique de la sècheuse doit être conforme aux codes et aux règlements locaux ainsi qu'à la toute dernière édition du National Electrical Code (ANSI/NFPA 70), ou au Canada, au Code canadien de l'électricité (C22.1, article 1).
- La sècheuse est classée, en vertu des règlements ANSI Z 21.5.1 ou ANSI/UL 2158 - CAN/CSA C22.2 N° 112 (dernières versions), pour un USAGE DOMESTIQUE uniquement. Il n'est pas recommandé d'utiliser cette sècheuse pour des usages commerciaux, comme des restaurants, des salons de coiffure, etc.
- Ne superposez pas une sècheuse sur une laveuse déjà installée sur un socle. Ne superposez pas une laveuse sur une sècheuse. Ne superposez pas une laveuse sur une autre laveuse. Ne pas empiler les sèche-linge au-dessus de machine à laver sans utilisation du fabricant approuvé et installé correctement kit de superposition correspondant à votre modèle.
- Les instructions comprises dans ce guide et toute autre documentation fournie avec cet appareil ne sont pas conçues pour couvrir toutes les éventualités ou situations qui pourraient survenir. Vous DEVEZ faire preuve de bon sens et de prudence durant l'installation, l'utilisation et l'entretien de tout appareil ménager.

⚠ ATTENTION

DANGER DE POIDS EXCESSIF

Pour éviter les blessures au dos ou d'autres types de blessure, demandez l'aide d'autres personnes pour déplacer ou soulever la laveuse/sècheuse.

⚠ IMPORTANT

N'INSTALLEZ PAS VOTRE SÈCHEUSE :

- 1 ... à un endroit exposé aux écoulements d'eau ou aux aléas des conditions météorologiques extérieures.
- 2 ... sur un tapis. Le plancher DOIT être solide et présenter une pente inférieure à 2,5 cm (1 po).

⚠ AVERTISSEMENT

RISQUE D'EXPLOSION

N'installez pas la sècheuse là où de l'essence ou autres matières inflammables sont entreposées. Si la sècheuse est installée dans un garage, elle doit être placée au moins à 45,7 cm (18 po) du sol. Le non-respect de cette recommandation peut entraîner un choc électrique, une explosion, un incendie ou même la mort.

CONSERVEZ CES INSTRUCTIONS POUR VOUS Y REPORTER ULTÉRIEUREMENT.

TABLE DES MATIÈRES

Mesures de Sécurité Importantes	16-17
Exigences d'Installation	18-19
Instructions d'Installation	20-25
Inversion de la Porte	26-27
Accessoires	28
Remarques	29

⚠ AVERTISSEMENT

Veuillez lire ces instructions au complet avant d'utiliser le laveuse.

Sachez reconnaître les symboles, les avertissements et les étiquettes de sécurité

Les mesures de sécurité présentées dans ce guide sont identifiées par le mot AVERTISSEMENT ou ATTENTION selon le type de risque présenté ci-dessous.

Définitions

⚠ Voici le symbole d'avertissement concernant la sécurité. Il est utilisé pour vous avertir des risques de blessures potentiels. Respectez tous les messages qui suivent ce symbole afin de prévenir les blessures ou la mort.

⚠ DANGER

La mention DANGER indique un risque imminent qui causera la mort ou de graves blessures, s'il n'est pas évité.

⚠ AVERTISSEMENT

La mention AVERTISSEMENT indique une situation potentiellement dangereuse qui, si elle n'est pas évitée, pourrait entraîner des blessures graves ou même la mort.

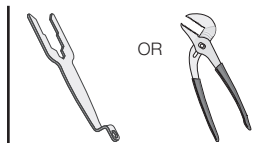
⚠ ATTENTION

La mention ATTENTION signale la présence d'une situation potentiellement dangereuse susceptible de causer des blessures mineures ou moyennement graves si elle n'est pas évitée.

📌 IMPORTANT

IMPORTANT - Cette mention précède des renseignements importants relatifs à l'installation, au fonctionnement ou à l'entretien. Toutefois, ceux-ci n'impliquent aucune notion de danger.

Outils et matériel nécessaires à l'installation :



Il est possible d'acheter une clé universelle en option auprès du détaillant

OR



Pince réglable

AND



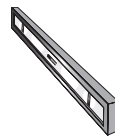
Ensemble pour cordon d'alimentation de 240 V à 3 ou 4 fils

AND



Tournevis à pointe carrée

AND



Niveau de charpentier

☑ Liste de vérification d'installation

Déballage

- ❑ Le film plastique (intérieur du tambour) est retiré et jeté. Voir également l'image ci-dessous.

Mise à niveau

- ❑ La sècheuse est au niveau latéralement et de l'avant vers l'arrière
- ❑ Les quatre coins de la caisse reposent fermement sur le plancher

Alimentation électrique de 240 V

- ❑ Le cordon d'alimentation est certifié NEMA 10-30R ou 14-30R et il fixé solidement avec toutes les vis dans le bornier
- ❑ Protecteur d'accès du terminal/bride de cordon installé avant le fonctionnement initial

Inversion de la porte

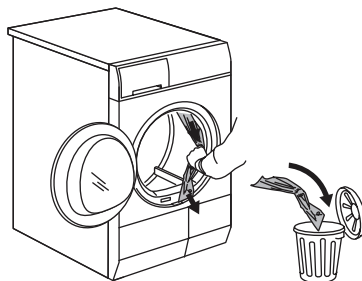
- ❑ Suivez les instructions détaillées contenues dans ce guide
- ❑ Vérifiez que la charnière et le loquet fonctionnent correctement

Alimentation en électricité

- ❑ Le système électrique de la maison est sous tension
- ❑ La sècheuse est branchée

Vérifications finales

- ❑ Vous avez lu entièrement les Instructions d'Installation et le Guide d'Utilisation et d'Entretien
- ❑ La porte se verrouille et le tambour tourne lorsqu'un cycle démarre
- ❑ La carte d'enregistrement est envoyée



18 Exigences d'Installation

Exigences électriques de la sècheuse électrique

REMARQUE

Étant donné les variations de tension possibles, l'utilisation de cette sècheuse avec une source d'alimentation produite par une génératrice à essence, solaire ou éolienne ou par toute autre source d'alimentation différente de celle fournie par les services publics n'est pas recommandée.

CIRCUIT - Circuit indépendant de 30 ampères avec fusible temporisé ou disjoncteur de 30 A. Utilisez des circuits indépendants pour la laveuse et la sècheuse. NE BRANCHEZ PAS la laveuse et la sècheuse sur le même circuit.

ALIMENTATION ÉLECTRIQUE - Câble monophasé à trois ou quatre fils, 208-240 volts, 60 Hz; courant alternatif.

IMPORTANT

Cette sècheuse est mise à la terre par le fil d'alimentation neutre, sauf si elle est destinée à la vente au Canada.

La mise à la terre par le fil d'alimentation neutre est interdit pour : (1) un nouveau circuit de dérivation, (2) les maisons mobiles, (3) les véhicules récréatifs, et (4) les régions où les codes locaux ne permettent pas la mise à la terre par le fil d'alimentation neutre.

PRISE - Prise NEMA 10-30R ou NEMA 14-30R située de manière à permettre l'accès au cordon d'alimentation lorsque la sècheuse est à sa position de fonctionnement.

CONNEXION DE MISE À LA TERRE - Consultez la rubrique « Exigences de mise à la terre » dans la section d'installation électrique.

TROUSSE DE CORDON D'ALIMENTATION À TROIS FILS (non fournie)



Prise à 3 alvéoles
(NEMA type 10-30R)

La sècheuse DOIT utiliser un cordon d'alimentation à trois fils NEMA 10-30 de type SRDT d'une capacité de 240 volts (c.a.) et d'au moins 30 ampères, avec trois connecteurs ouverts embrochables avec extrémités renversées, ou connecteurs à boucle fermée, spécialement indiqués pour une utilisation avec une sècheuse. Pour les instructions de raccordement du cordon à 3 fils, consultez la section **CONNEXIONS ÉLECTRIQUES POUR UN SYSTÈME À TROIS FILS**.

REMARQUE

Les sècheuses destinées à la vente au Canada sont munies d'un cordon d'alimentation à 4 fils (NEMA 14-30R).

TROUSSE DE CORDON D'ALIMENTATION À QUATRE FILS (non fournie)



Prise à 4 alvéoles
(NEMA type 14-30R)

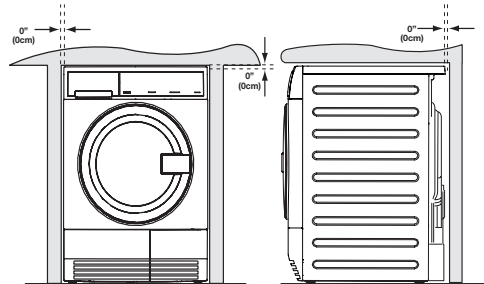
La sècheuse DOIT utiliser un cordon d'alimentation à quatre fils NEMA 14-30 de type SRDT d'une capacité de 240 volts (c.a.) et d'au moins 30 ampères, avec quatre connecteurs ouverts embrochables avec extrémités renversées, ou connecteurs à boucle fermée, spécialement indiqués pour une utilisation avec une sècheuse. Pour les instructions de raccordement du cordon à quatre fils, consultez la section **CONNEXIONS ÉLECTRIQUES POUR UN SYSTÈME À QUATRE FILS**.

Manufactured or mobile home installation

L'installation DOIT être conforme à la norme Manufactured Home Construction and Safety Standard, titre 24 CFR, article 32-80 (anciennement désignée comme la Federal Standard for Mobile Home Construction and Safety, titre 24, HUD, article 280) ou à la norme CAN/CSA240 MH.

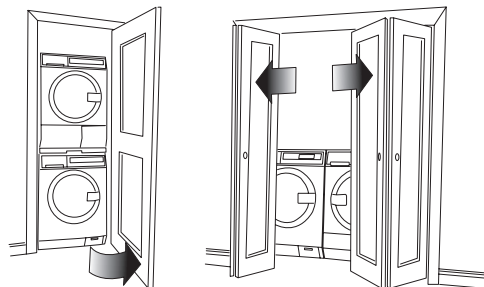
Exigences de dégagement

DÉGAGEMENTS MINIMAUX - Centimètres (pouces)				
	CÔTÉS	ARRIÈRE	DESSUS	AVANT
Alcôve	0 cm (0 po)	0 cm (0 po)	0 cm (0 po)	s. o.
Sous le comptoir	0 cm (0 po)	0 cm (0 po)	0 cm (0 po)	s. o.

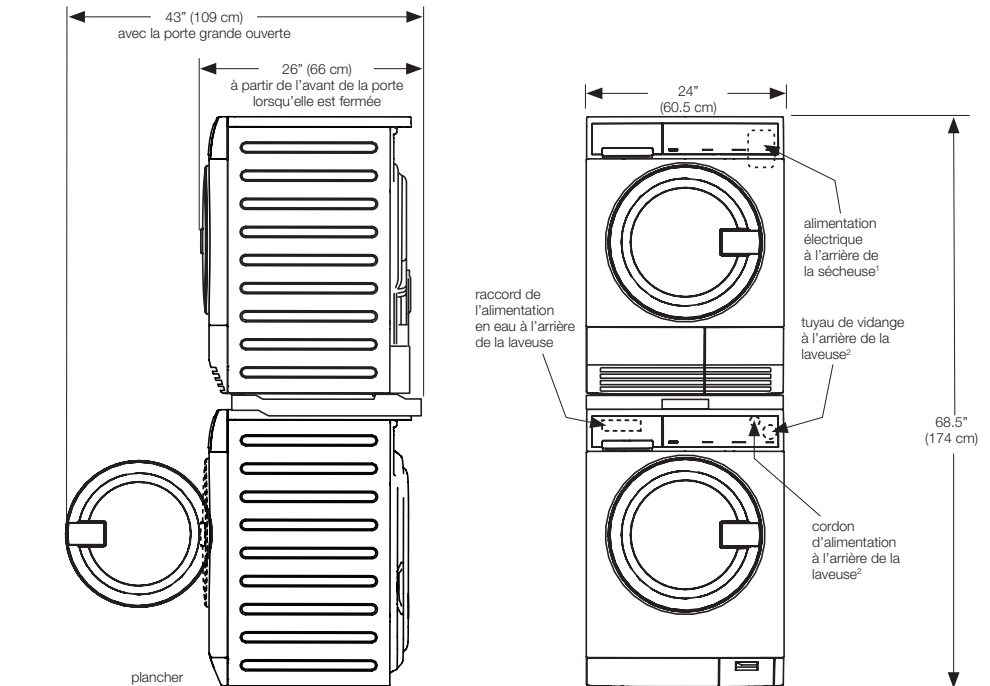
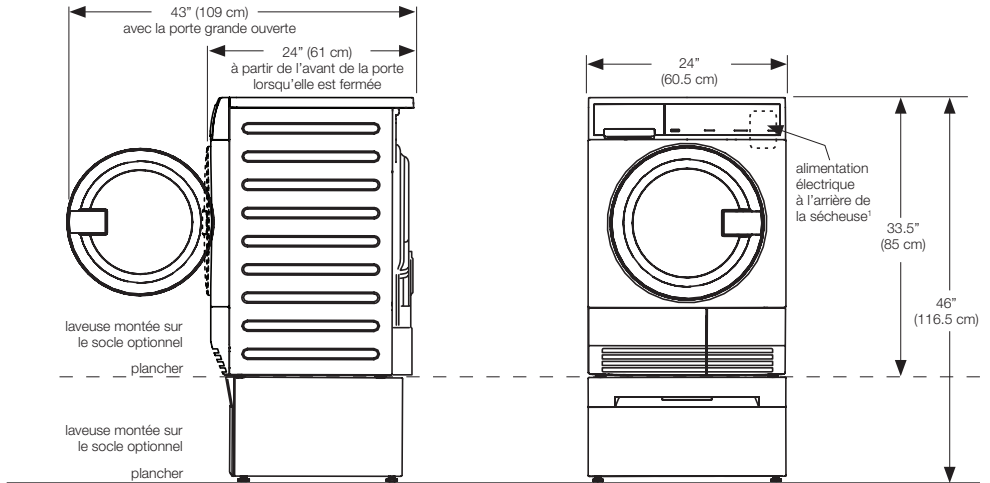


Installation dans un Placard

Si la sècheuse est installée dans un placard, l'utiliser uniquement avec la porte ouverte pour permettre une bonne circulation de l'air. Reportez-vous au Guide d'Utilisation et d'Entretien pour plus d'informations.



Dimensions de Sécheuse



¹Longueur du cordon d'alimentation de la sécheuse au Canada, environ 150 cm (59 po).

²Longueur du tuyau de vidange de la laveuse, environ 140 cm (55 po).

³Longueur du cordon d'alimentation de la laveuse, environ 150 cm (59 po).

20 Instructions d'Installation

Installation électrique

Vous trouverez ci-dessous les exigences pour l'installation électrique adéquate et sécuritaire de votre appareil. Le non-respect de ces instructions pourrait entraîner le risque de choc ou d'incendie.

⚠ AVERTISSEMENT

RISQUE DE CHOC ÉLECTRIQUE

- Cet appareil DOIT être adéquatement mis à la terre. La mise à la terre inadéquate de la sècheuse pourrait entraîner des risques de choc électrique. Suivez les instructions de ce guide pour une mise à la terre adéquate.
- N'utilisez pas de rallonge avec cet appareil. Certains cordons prolongateurs ne sont pas conçus pour la quantité de courant électrique utilisé par cette sècheuse et pourraient fondre, entraînant des risques de choc électrique ou d'incendie. Placez la sècheuse à une distance de la prise convenant à la longueur de la rallonge, permettant d'installer la rallonge lâchement. Reportez-vous aux exigences de préinstallation de ce guide pour savoir quel cordon d'alimentation acheter.

⚠ AVERTISSEMENT

RISQUE DE CHOC ÉLECTRIQUE

- Un réducteur de tension certifié UL doit être installé sur le cordon d'alimentation. Si le réducteur de tension n'est pas installé, le cordon peut être arraché de l'appareil ou coupé par tout mouvement, ce qui entraînerait un risque de choc électrique.
- N'utilisez pas une prise avec câblage en aluminium avec un cordon d'alimentation et une fiche avec fils en cuivre (ou l'inverse). Une réaction chimique se produit entre l'aluminium et le cuivre, ce qui pourrait entraîner un court-circuit. Il faut utiliser un cordon, une fiche et une prise avec des fils en cuivre.

🔧 REMARQUE

Les sècheuses alimentées par une tension de 208 V posséderont des temps de séchage plus longs qu'une sècheuse alimentée par une tension de 240 V.

Exigences de mise à la terre - Sècheuse électrique (É.-U.)

⚠ AVERTISSEMENT

RISQUE DE CHOC ÉLECTRIQUE

Un raccordement inadéquat du conducteur de mise à la terre de l'équipement peut accroître les risques de choc électrique. En cas de doute quant à la mise à la terre de l'appareil, consultez un électricien qualifié.

Pour une sècheuse avec cordon, mise à la terre :

- 1 Cet appareil DOIT être mis à la terre. En cas de mauvais fonctionnement ou de panne, la mise à la terre diminue les risques de choc électrique en fournissant au courant électrique une trajectoire de moindre résistance.
- 2 Après l'achat et l'installation d'un cordon d'alimentation à 3 ou 4 fils doté d'un fil de mise à la terre et d'une fiche de mise à la terre qui correspond à votre système de câblage, la fiche DOIT être branchée dans un réceptacle cuivré installé et mis à la terre conformément aux codes et règlements locaux. En cas de doute, faites appel à un électricien qualifié.
- 3 NE MODIFIEZ PAS la fiche fournie avec cet appareil. Si elle ne s'insère pas dans la prise, demandez à un électricien qualifié d'installer la prise adaptée.

Exigences de mise à la terre - Sècheuse électrique (Canada)

⚠ AVERTISSEMENT

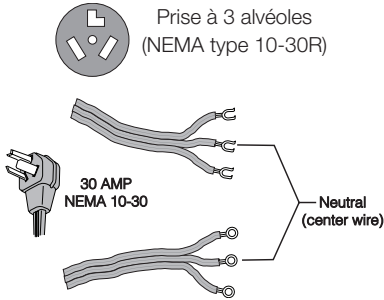
RISQUE DE CHOC ÉLECTRIQUE

Un raccordement inadéquat du conducteur de mise à la terre de l'équipement peut accroître les risques de choc électrique. En cas de doute quant à la mise à la terre de l'appareil, consultez un électricien qualifié.

Pour une sècheuse avec cordon, mise à la terre :

- 1 Cet appareil DOIT être mis à la terre. En cas de mauvais fonctionnement ou de panne, la mise à la terre diminue les risques de choc électrique en fournissant au courant électrique une trajectoire de moindre résistance.
- 2 Puisque votre appareil est muni d'un cordon d'alimentation avec fil et fiche de mise à la terre, la fiche doit être branchée dans un réceptacle installé et mis à la terre conformément aux codes et règlements locaux. En cas de doute, faites appel à un électricien qualifié.
- 3 NE MODIFIEZ PAS la fiche fournie avec cet appareil. Si elle ne s'insère pas dans la prise, demandez à un électricien qualifié d'installer la prise adaptée.

Connexion électrique (sauf au Canada) - cordon à 3 fils



⚠ AVERTISSEMENT

RISQUE DE CHOC ÉLECTRIQUE

Le fait de ne pas débrancher l'appareil de sa source d'alimentation en électricité avant son entretien peut causer des blessures, voire la mort.

- 1 Coupez l'alimentation à la prise.
- 2 Retirez les vis qui fixe le couvercle d'accès du bornier dans le coin supérieur du dos de la sècheuse.
- 3 L'aide un cordon de 30 A certifié UL NEMA 10-30 de type SRDT, NON BRANCHÉ, fixez le fil neutre du cordon d'alimentation (fil du centre) à la borne centrale ARGENT du bornier. Serrez bien la vis.

🔧 REMARQUE

Les vis des bornes sont expédiées de l'usine temporairement fixées à l'intérieur du couvercle d'accès.

- 4 Fixez les deux autres fils aux bornes externes en LAITON du bornier. Serrez bien les deux vis.

⚠ AVERTISSEMENT

RISQUE DE CHOC ÉLECTRIQUE

N'effectuez pas de courbe soudaine, et ne pincez pas le câblage ou les conducteurs aux connexions.

- 5 Réinstallez le couvercle du panneau d'accès au bornier.

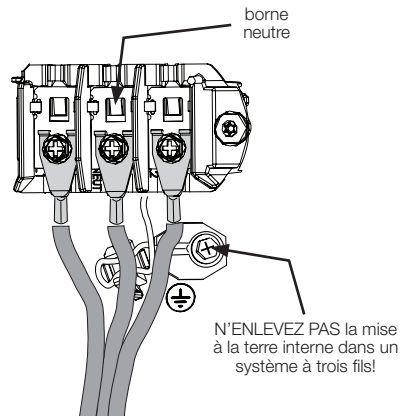
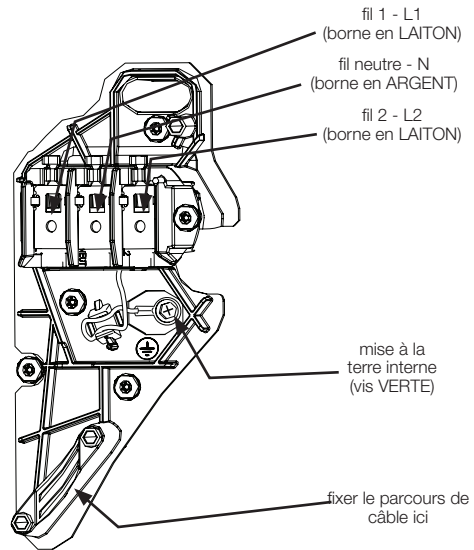
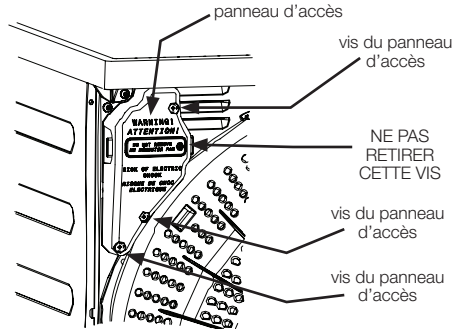
⚠ AVERTISSEMENT

RISQUE DE CHOC ÉLECTRIQUE

Ne faites pas fonctionner la sècheuse sans qu'il y ait un protecteur de terminal sur celle-ci. Un protecteur de bloc de terminal bien installé peut également être utilisé comme bride de cordon pour le cordon d'alimentation.

📌 IMPORTANT

Si vous passez d'un système à quatre fils à un système à trois fils, déplacez le fil de mise à la terre interne de la borne centrale du bornier à la vis VERTE à côté du bornier.

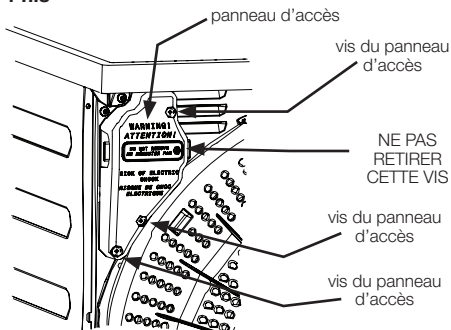
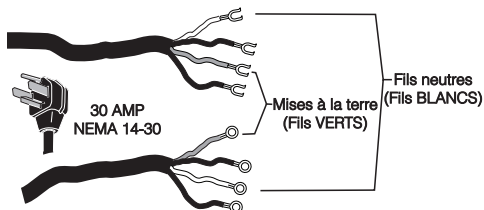


22 Instructions d'Installation

Connexion électrique (sauf au Canada) - cordon à 4 fils



Prise à 4 alvéoles
(NEMA type 14-30R)



⚠ AVERTISSEMENT

RISQUE DE CHOC ÉLECTRIQUE

Le fait de ne pas débrancher l'appareil de sa source d'alimentation en électricité avant son entretien peut causer des blessures, voire la mort.

- 1 Coupez l'alimentation à la prise.
- 2 Retirez les vis qui fixe le couvercle d'accès du bornier dans le coin supérieur du dos de la sècheuse.
- 3 Débranchez le fil de mise à la terre du faisceau électrique interne de la sècheuse (BLANC) de la vis de mise à la terre (VERTE) près du bornier.
- 4 L'aide d'un cordon de 30 A certifié UL NEMA 14-30 de type SRDT, NON BRANCHÉ, dans le réducteur de tension, fixez le fil de mise à la terre (VERT) du cordon d'alimentation à la caisse avec la vis de mise à la terre (VERTE). Serrez bien la vis.

🔧 REMARQUE

Les vis des bornes sont expédiées de l'usine temporairement fixées à l'intérieur du couvercle d'accès.

- 5 Déplacez le fil de mise à la terre du faisceau électrique interne (BLANC) au bornier et fixez-le avec le fil neutre du cordon d'alimentation (BLANC) à la borne centrale ARGENT du bornier. Serrez bien la vis.
- 6 Fixez les fils ROUGE et NOIR du cordon d'alimentation aux bornes externes LAITON du bornier. Serrez bien les deux vis.

⚠ AVERTISSEMENT

RISQUE DE CHOC ÉLECTRIQUE

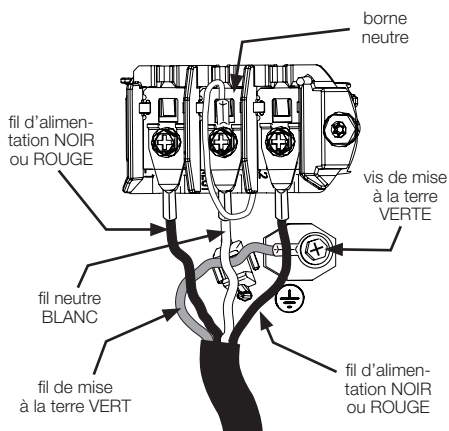
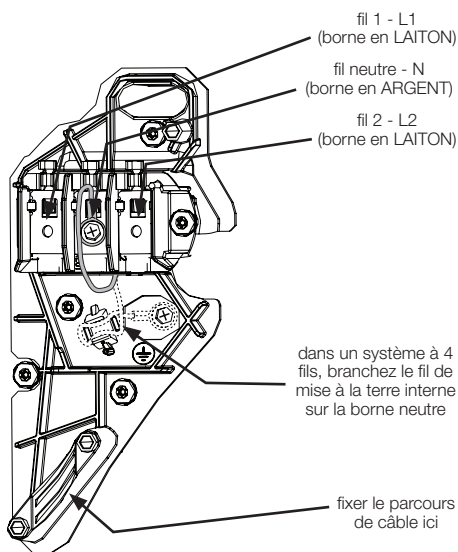
N'effectuez pas de courbe soudaine, et ne pincez pas le câblage ou les conducteurs aux connexions.

- 7 Réinstallez le couvercle du panneau d'accès au bornier.

⚠ AVERTISSEMENT

RISQUE DE CHOC ÉLECTRIQUE

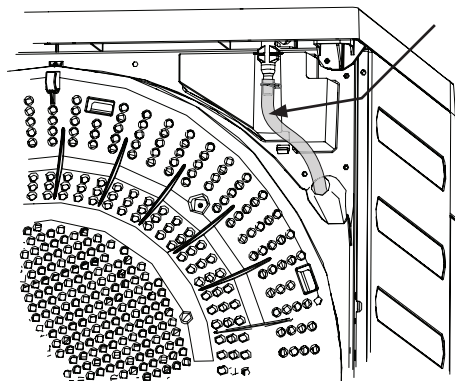
Ne faites pas fonctionner la sècheuse sans qu'il y ait un protecteur du terminal sur celle-ci. Un protecteur de bloc de terminal bien installé peut également être utilisé comme bloc de cordon pour le cordon d'alimentation.



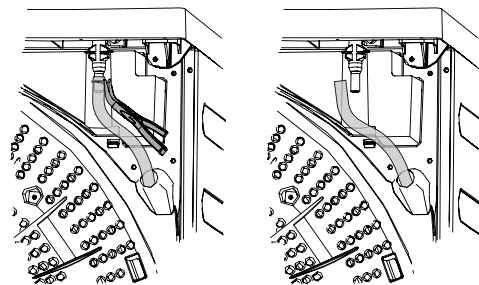
Trousse de Vidange Direct (certains modèles)

Si votre modèle de sècheuse inclut une trousse de vidange direct, suivez les instructions d'installation ci-dessous pour faciliter l'évacuation des eaux condensées.

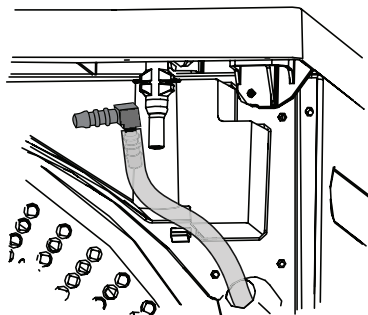
- 1 Localisez le tuyau rouge et le raccord en plastique à l'arrière de la sècheuse.



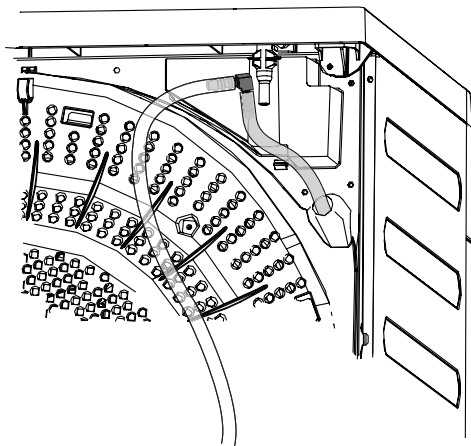
- 2 Avec une paire de pinces, relâchez le collier de serrage et retirez le tuyau du raccord en plastique.



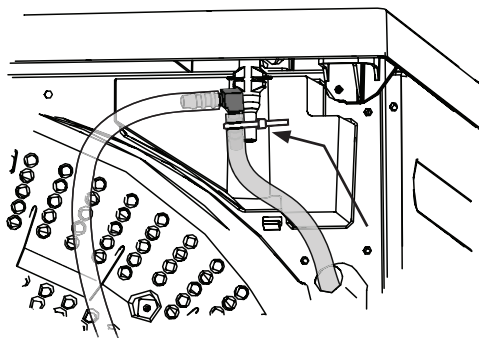
- 3 Récupérez le coude 90 degrés en plastique de la trousse d'installation fournie avec la sècheuse et l'installez sur le tuyau rouge.



- 4 Récupérez le tuyau transparent fourni dans la trousse et l'installez également sur le coude.



- 5 Fixez le coude et les tuyaux de raccord en plastique avec l'attache de câble en nylon fournie avec la trousse.

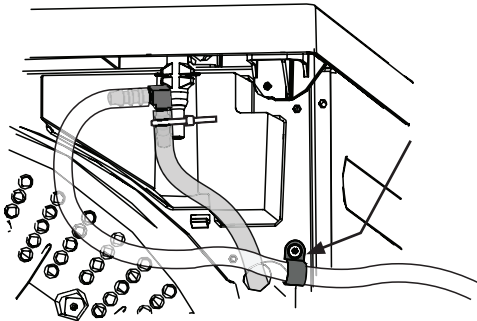


Trousse de Vidange Direct — suite à la page suivante...

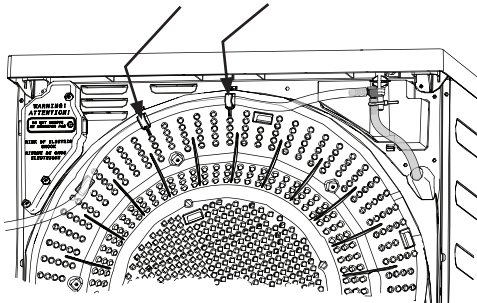
24 Instructions d'Installation

Trousse de Vidange Direct (suite)

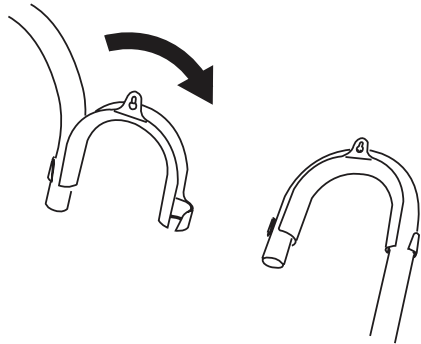
- 6 Pour acheminer le tuyau de vidange sur la gauche, le fixer à l'arrière de la sècheuse avec le collier en « P » de la trousse et à l'aide de la vis illustrée ci-dessous.



- 7 Pour acheminer le tube de vidange sur la droite, le passer à l'arrière de la sècheuse et l'enclencher dans les colliers en « C » comme illustré ci-dessous.



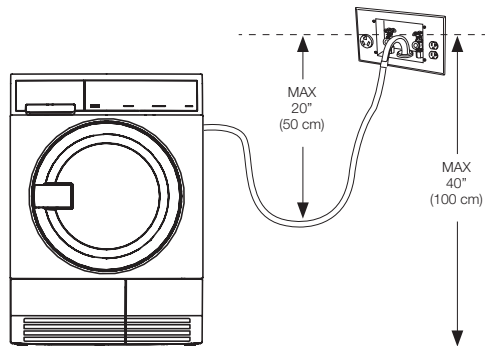
- 8 Installer le support de la trousse sur l'extrémité du tuyau flexible et insérer dans le drain.



IMPORTANT

Suivez ces directives pour une installation adéquate du tuyau de vidange :

- 1 La distance entre le bas de l'affaissement du tuyau de vidange et la partie supérieure de ce dernier doit être inférieure à 50 cm (20 po).
Si l'affaissement dépasse la mesure autorisée, on peut le raccourcir avec ciseaux.
- 2 La hauteur d'emplacement du tuyau de vidange ne doit pas dépasser les pattes de la sècheuse de plus de 100 cm (40 po).



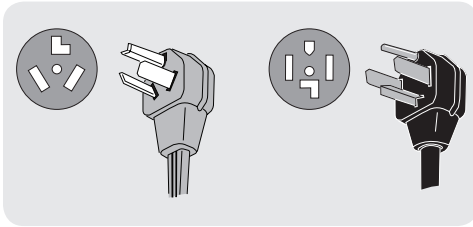
Installation (générale)

- 1 Utilisez un niveau à bulle pour mettre l'appareil à niveau de l'avant vers l'arrière et latéralement.
- 2 Utilisez la clé universelle pour ajuster les pieds de mise à niveau de façon à ce que la laveuse soit de niveau d'avant en arrière et latéralement, et qu'elle soit stable aux quatre coins.
- 3 Appuyez sur chaque coin et chaque côté pour déterminer les endroits qui nécessitent un réglage. Ajustez les pieds de mise à niveau appropriés de manière à ce que la laveuse repose solidement sur ses QUATRE pieds. Gardez les pieds de mise à niveau le plus près possible de la laveuse afin d'optimiser le rendement de la sècheuse.

IMPORTANT

Assurez-vous que l'alimentation électrique est coupée au disjoncteur ou au boîtier de fusibles avant de brancher le cordon d'alimentation dans une prise électrique.

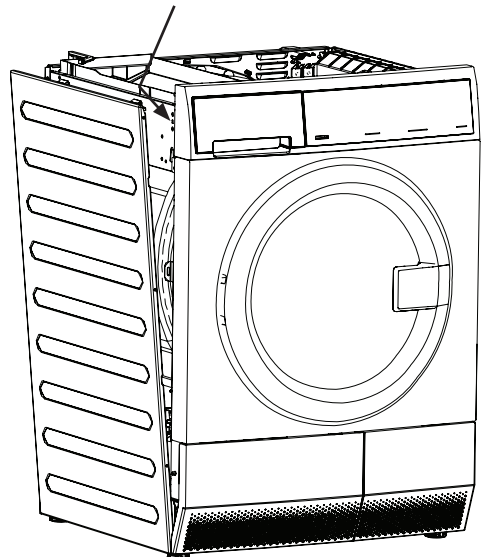
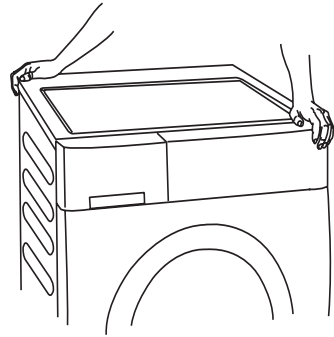
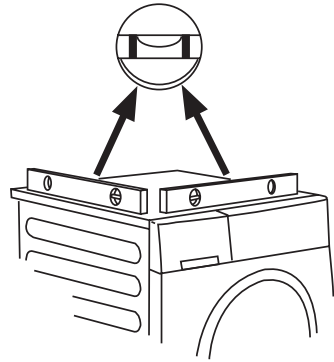
- 4 Branchez le cordon d'alimentation à la prise électrique mise à la terre.



- 5 Ouvrez l'alimentation électrique au disjoncteur ou au boîtier de fusibles.
- 6 Reportez-vous au Guide d'utilisation et d'entretien fourni avec la sècheuse. Il contient des renseignements très utiles qui vous permettent d'économiser temps et argent.
- 7 Pour toute question relative à l'utilisation initiale, veuillez vous reporter à la section « Liste de vérification » de votre Guide d'utilisation et d'entretien avant d'effectuer une demande de service.
- 8 Laissez ces instructions à proximité de la sècheuse pour vous y reporter ultérieurement.

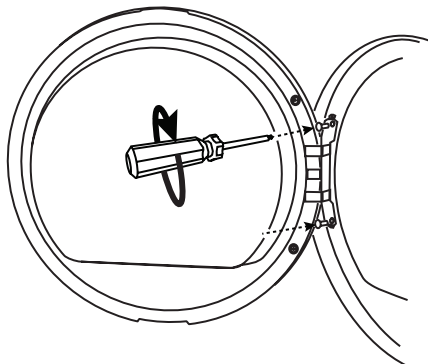
REMARQUE

Un schéma de câblage se trouve à côté du récipient d'eau derrière le panneau de l'armoire gauche.

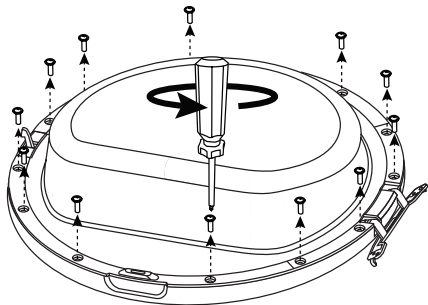


26 Inversion de la Porte

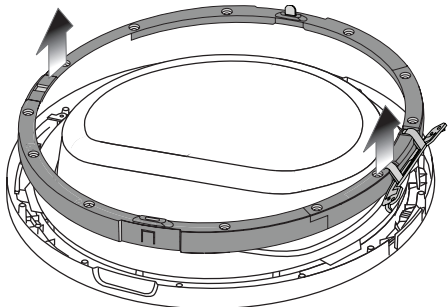
- 1 Protégez la surface de travail, comme le dessus de la sècheuse ou le plancher près de la sècheuse, avec un chiffon doux ou une serviette.
- 2 Ouvrez la porte de la sècheuse et retirez les deux vis de la charnière. Enlevez d'abord la vis du bas, puis la vis du haut.



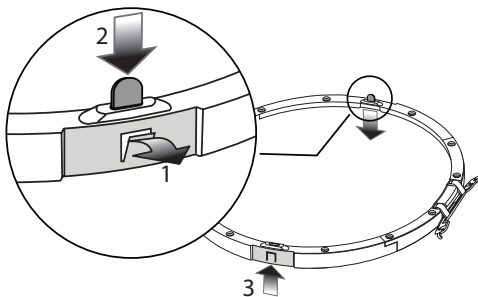
- 3 Placez soigneusement la porte de la sècheuse face contre terre sur la surface de travail protégée.
- 4 Localisez les 12 vis (no 1-12) sur l'anneau de porte intérieur. Retirez et gardez ces 12 vis.



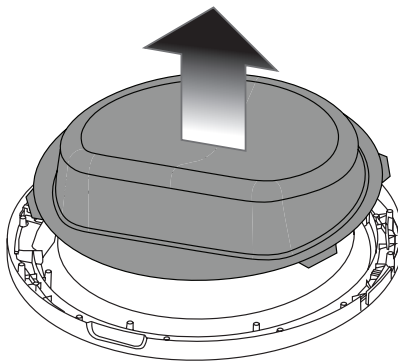
- 5 Séparez l'anneau de porte intérieur du reste de la porte.



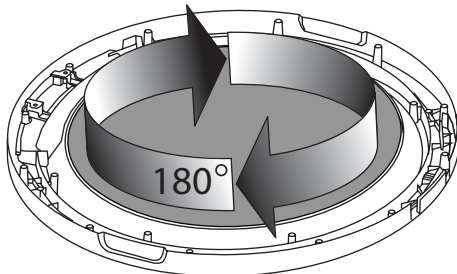
- 6 Relâchez la gâche de l'interrupteur de porte, déplacez-la dans l'emplacement opposé et réinstallez-la. Mettez l'anneau de porte intérieur de côté.



- 7 Levez la lentille intérieure et mettez-la de côté.

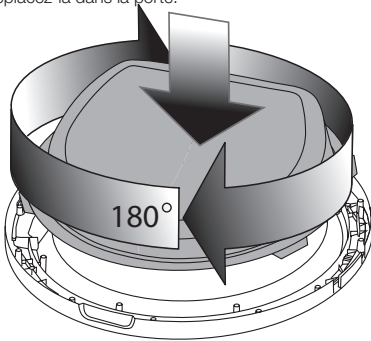


- 8 Si votre modèle comprend 8 vis qui permettent de fixer la lentille extérieure, retirez-les et gardez-les pour plus tard. Soulevez et faites tourner la lentille extérieure de 180 degrés. Remplacez la lentille extérieure en l'abaissant.

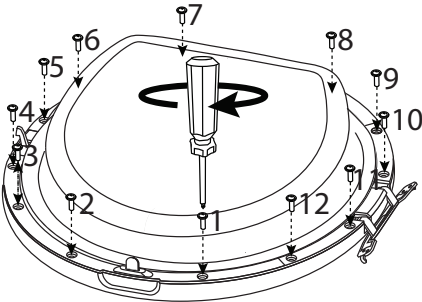


- 9 Réinstallez les 8 vis si elles ont été retirées au cours de l'étape précédente. Si aucune vis n'était présente, passez à l'étape suivante.

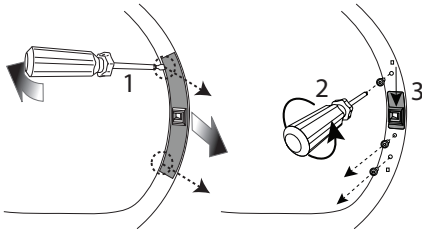
- 10** Faites tourner la lentille intérieure à 180 degrés et remplacez-la dans la porte.



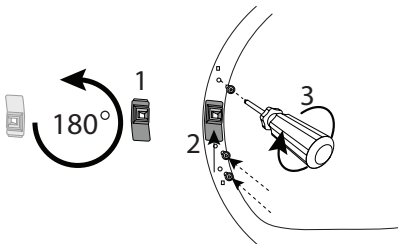
- 11** Réinstallez l'anneau de porte intérieur à l'aide des 12 vis qui ont été retirées précédemment.



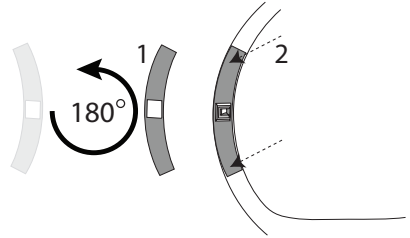
- 12** Retirez doucement le protecteur de verrou en plastique du panneau avant et mettez-le de côté. Retirez les 3 vis qui permettent de fixer le verrou de porte et relâchez celui-ci.



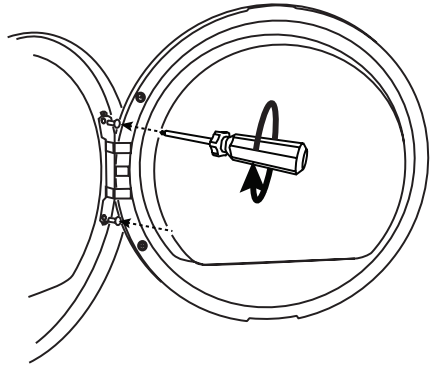
- 13** Faites tourner le protecteur de verrou en plastique de 180 degrés et enclenchez-le autour du verrou de porte.



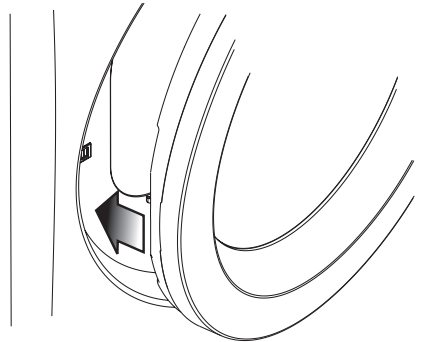
- 14** Faites tourner le protecteur de verrou en plastique de 180 degrés et enclenchez-le autour du verrou de porte.



- 15** Tout en soutenant la porte, installez les 2 vis articulées qui ont été retirées au cours de la première étape. Attachez la vis supérieure en premier et ensuite, la vis inférieure.



- 16** Fermez la porte et testez le fonctionnement de la charnière, de la gâche et du verrou.



SOCLE DE RANGEMENT ASSORTI*

Socle Blanc - PIÈCE N° EPWD200QSW

Un socle de rangement, conçu expressément pour cette laveuse, peut être utilisé afin de soulever votre appareil, facilitant ainsi son utilisation.

*Il se peut que d'autres couleurs soient disponibles. Communiquez avec le marchand qui vous a vendu votre sècheuse.

TROUSSE DE VIDANGE DIRECTE

PIÈCE N° DK11

Selon le modèle que vous avez acheté, il se peut qu'une trousse de vidange directe pour votre système de collecte d'eau de sècheuse condensée ait été incluse dans l'achat initial de votre sècheuse. Si votre modèle ne comprenait pas de trousse de vidange directe, il vous est possible d'en commander un.

NÉCESSAIRE DE SUPERPOSITION DE SÈCHEUSE

PIÈCE N° STACKIT24

Selon le modèle que vous avez acheté, il se peut qu'un nécessaire pour superposer cette sècheuse sur une laveuse assortie ait été inclus dans l'achat initial de votre sècheuse. Si votre modèle ne comprenait pas de nécessaire de superposition ou que vous en désirez un autre, il vous est possible d'en commander un.

ÉTAGÈRE DE SÉCHAGE

PIÈCE N° 916093163

Selon le modèle que vous avez acheté, il se peut qu'une étagère de séchage ait été incluse dans l'achat initial de votre sècheuse. Si votre modèle ne comprenait pas d'étagère de séchage ou que vous en désirez une autre, il vous est possible d'en commander une.

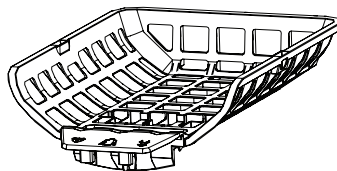
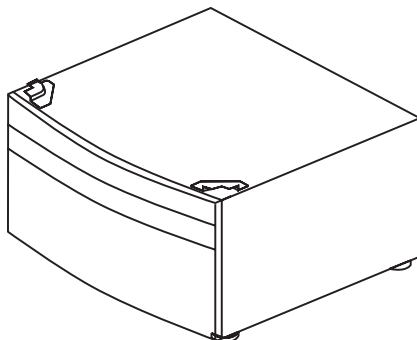
CLÉ D'APPAREIL UNIVERSELLE

PIÈCE N° 137019200

UNE CLÉ D'APPAREIL UNIVERSELLE est offerte pour faciliter le réglage des pieds de sècheuse/laveuse/socle.

⚠ ATTENTION

Tout défaut d'utiliser les accessoires fabriqués ou certifiés par le fabricant pourrait entraîner des blessures, des dommages aux biens ou à la sècheuse.



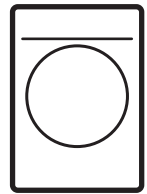
Pièces de rechange :

Si vous devez commander des pièces de rechange pour votre sècheuse, communiquez avec le marchand qui vous a vendu votre appareil, ou reportez-vous au guide d'utilisation et d'entretien pour obtenir plus de détails.

⚠ AVERTISSEMENT

RISQUE ÉLECTRIQUE

Étiquetez tous les fils avant de les débrancher pendant l'entretien des commandes. Des erreurs de câblage pourraient nuire au bon fonctionnement de l'appareil, et même être dangereuses. Vérifiez le bon fonctionnement de l'appareil après tout entretien.



EN FRONT LOAD DRYER
FR SÉCHEUSE À CHARGEMENT FRONTAL
ES SECADORA DE CARGA FRONTAL

INSTALLATION INSTRUCTIONS
INSTRUCTIONS D'INSTALLATION
INSTRUCCIONES DE INSTALACIÓN



Electrolux

ADVERTENCIA

Para su seguridad, debe seguir la información de esta guía para minimizar el riesgo de incendio o explosión o para evitar daños a la propiedad, lesiones personales o incluso la muerte. No almacene ni utilice gasolina ni otros líquidos o vapores inflamables cerca de este o de cualquier otro electrodoméstico.

ADVERTENCIA PELIGRO DE INCENDIO

Lea las siguientes instrucciones antes de instalar y utilizar este electrodoméstico:

- Después de desembalar la secadora, destruya los cartones y las bolsas de plástico. Los niños podrían utilizarlos para jugar. Los cartones cubiertos con alfombras, cubrecamas, o láminas de plástico pueden convertirse en cámaras de aire herméticamente cerradas y provocar asfixia. Coloque todos los materiales en un basurero o manténgalos fuera del alcance de los niños.
- La instalación y el servicio de la secadora de ropa deben ser llevados a cabo por un instalador calificado o agencia de servicios.
- Instale la secadora de ropa de acuerdo con las instrucciones del fabricante y los códigos locales.
- La reparación eléctrica de la secadora debe cumplir con los códigos y las ordenanzas locales y la última edición del Código Eléctrico Nacional (National Electrical Code), el ANSI/NFPA 70, o bien en Canadá, el CSA C22.1 del Código Eléctrico de Canadá (Canadian Electrical Code) Parte 1.
- La secadora se diseñó conforme a los códigos ANSI Z 21.5.1 o ANSI/UL 2158 - CAN/CSA C22.2 N.º 112 (últimas ediciones) solo para USO DOMÉSTICO. No se recomienda esta secadora para uso comercial, como por ejemplo, en restaurantes, salones de belleza, etc.
- No apile la secadora sobre la lavadora si ya está instalada sobre un pedestal. No apile la lavadora sobre la secadora. No apile la lavadora sobre otra lavadora. No apilar secadora encima de la lavadora sin el uso de aprobados por el fabricante y correctamente instalado equipo para apilar apropiado para su modelo.
- Las instrucciones de esta guía y todo el material que se incluye con esta secadora no tienen como propósito cubrir todas las condiciones y situaciones que puedan presentarse. Cuando instale, opere o repare cualquier artefacto DEBE tener cuidado y hacer uso de buenas prácticas de seguridad.

CAUTION

DANGER DE POIDS EXCESSIF

Pour éviter les blessures au dos ou d'autres types de blessure, demandez l'aide d'autres personnes pour déplacer ou soulever la laveuse/sécheuse.

ADVERTENCIA

PELIGRO DE EXPLOSIÓN

No instale la secadora en el mismo lugar en el que haya o se almacene gasolina u otros productos inflamables. Si la secadora se instala en un garaje, debe estar a una altura mínima de 45,7 cm (18 pulgadas) por encima del suelo. De lo contrario, podría producirse una explosión, un incendio, quemaduras o incluso la muerte.

IMPORTANTE

NO INSTALE LA SECADORA:

- 1 ... en una zona expuesta a la humedad o a las condiciones climáticas externas.
- 2 ... sobre una alfombra. El piso DEBE ser firme con una pendiente máxima de 2,5 cm (1 pulgada).

CONSERVE ESTAS INSTRUCCIONES PARA REFERENCIA FUTURA.

ÍNDICE

Instrucciones Importantes de Seguridad.....	30-31
Requisitos de Instalación	32-33
Instrucciones de Instalación	34-39
Inversión de la Puerta	40-41
Accesorios	42
Notas	43

⚠ ADVERTENCIA

Lea todas las instrucciones antes de usar este lavadora.

Identificación de los símbolos, palabras y avisos de seguridad

Las indicaciones de seguridad incluidas en este manual aparecen precedidas de un aviso titulado "ADVERTENCIA" o "PRECAUCIÓN", de acuerdo con el nivel de riesgo.

Definiciones

⚠ Este es el símbolo de alerta de seguridad. Se usa para alertar sobre peligros potenciales de lesiones personales. Obedezca todos los mensajes de seguridad que tengan este símbolo para evitar posibles lesiones personales o la muerte.

⚠ PELIGRO

PELIGRO indica una situación de peligro inminente que, si no se evita, podría causar lesiones graves o la muerte.

⚠ ADVERTENCIA

ADVERTENCIA indica una situación potencialmente peligrosa que, si no se evita, podría causar lesiones personales graves o la muerte.

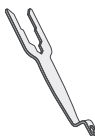



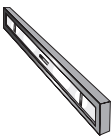
⚠ PRECAUCIÓN

PRECAUCIÓN indica una situación potencialmente peligrosa que, si no se evita, podría causar lesiones personales leves o moderadas.

📌 IMPORTANTE

IMPORTANTE indica información de instalación, funcionamiento o mantenimiento que es importante, pero que no está relacionada con la seguridad.

Herramientas y materiales necesarios para la instalación:

	OR		AND		AND		AND	
Llave universal opcional disponible en el distribuidor		Pinzas ajustables		Kit de cables de alimentación trifilar o tetrafil de 240 voltios		Destornilladores con cuadrada		Nivel de carpintero

☑ Lista de verificación de instalación

Desembalaje

- ❑ La película de plástico (revestimiento interior del tambor) se ha retirado y desechado. Véase también la imagen inferior.

Nivelación

- ❑ La secadora está nivelada de lado a lado y de adelante hacia atrás
- ❑ El secadora descansa firmemente sobre sus cuatro esquinas

Suministro eléctrico de 240V

- ❑ Cordón de servicio eléctrico 10-30R o 10-40R aprobado por la NEMA con todos los tornillos bien apretados en el tablero de terminales
- ❑ Cubierta/aliviador de tensión de acceso al terminal instalado antes del funcionamiento inicial

Inversión de la puerta

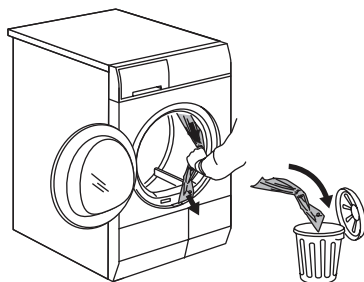
- ❑ Siga las instrucciones detalladas en esta guía
- ❑ Pruebe la bisagra y el gancho para asegurarse de que funcionen

Suministro eléctrico

- ❑ El suministro eléctrico del hogar está activado
- ❑ La secadora está enchufada

Inspección final

- ❑ Lea bien las instrucciones de instalación y la guía de uso y cuidado
- ❑ La puerta se cierra y el tambor gira cuando se inicia el ciclo
- ❑ Tarjeta de registro enviada



32 Requisitos de Instalación

Requisitos eléctricos de la secadora eléctrica:

NOTA

Debido a posibles variaciones en el voltaje, no se recomienda utilizar esta secadora con electricidad generada a partir de generadores a gas, solares, eólicos ni de ninguna otra clase que no sean los empleados por su empresa de electricidad local.

CIRCUITO: circuito independiente individual de 30 amp. con fusibles de acción retardada o disyuntores. Use circuitos con fusibles separados para la lavadora y la secadora. NO haga funcionar una lavadora y una secadora en el mismo circuito.

SUMINISTRO ELÉCTRICO: trifilar o tetrafilar, 208-240 V, 1 fase, 60 Hz, corriente alterna.

IMPORTANTE

A menos que haya sido fabricada para la venta en Canadá,

Esta secadora está conectada a tierra internamente a través de un enlace a un conductor neutro. La conexión a tierra a través del neutro está prohibida para: (1) instalaciones de circuitos de bifurcación nuevos; (2) casas rodantes; (3) vehículos recreativos; y (4) áreas cuyas leyes locales no permiten la puesta a tierra a través del neutro.

RECEPTÁCULO DEL TOMACORRIENTE - receptáculo NEMA 10-30 R o NEMA 14-30 R que debe estar ubicado en un lugar al que pueda acceder el cable de alimentación eléctrica cuando la secadora esté instalada.

CONEXIÓN A TIERRA: consulte "Requisitos de conexión a tierra" en la sección Instalación eléctrica.

CABLE DE ALIMENTACIÓN ELÉCTRICA TRIFILAR (no incluido)



Receptáculo trifilar
(tipo NEMA 10-30R)

La secadora DEBE emplear un cable de alimentación eléctrica de 3 conductores tipo NEMA 10-30, SRDT calificado para CA mínima de 240 voltios, 30 amp., con 3 conectores de terminal horquilla con extremos doblados hacia arriba o de bucle cerrado y calificados para uso en secadoras de ropa. Para obtener instrucciones sobre la conexión trifilar, consulte CONEXIONES ELÉCTRICAS PARA UN SISTEMA TRIFILAR.

NOTA

Las secadoras fabricadas para la venta en Canadá vienen con un cable de alimentación eléctrica tetrafilar (NEMA 14-30R) de fábrica.

CABLE DE ALIMENTACIÓN ELÉCTRICA TETRAFILAR (no incluido)



Receptáculo tetrafilar
(tipo NEMA 14-30R)

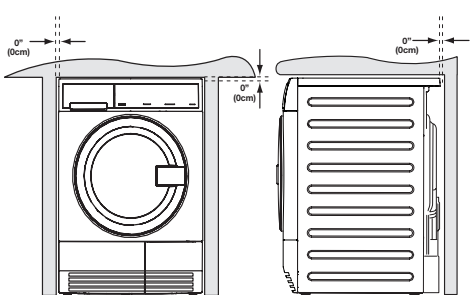
La secadora DEBE emplear un cable de alimentación eléctrica de 4 conductores tipo NEMA 14-30, SRDT o ST (según se especifique) calificado para CA mínima de 240 voltios, 30 amp., con 4 conectores de terminal horquilla con extremos doblados hacia arriba o de bucle cerrado y calificados para uso en secadoras de ropa. Para obtener instrucciones sobre la conexión tetrafilar, consulte CONEXIONES ELÉCTRICAS PARA UN SISTEMA TETRAFILAR.

Instalación en una casa rodante

La instalación DEBE cumplir con la actual Norma de Seguridad y Construcción de Casas Rodantes, título 24 CFR, Parte 32-80 (que anteriormente se conocía como la Norma Federal de Seguridad y Construcción de Casas Rodantes [Federal Standard for Mobile Home Construction and Safety], título 24, HUD parte 280) o la Norma CAN/CSA240 MH.

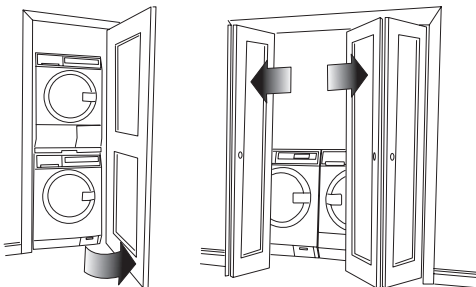
Requisitos de despeje

ESPACIOS MÍNIMOS PARA LA INSTALACIÓN: cm (pulgadas)				
	LATERALES	PARTE TRASERA	PARTE SUPERIOR	PARTE DELANTERA
Hueco	0 cm (0")	0 cm (0")	0 cm (0")	n/d
Debajo de la encimera	0 cm (0")	0 cm (0")	0 cm (0")	n/d

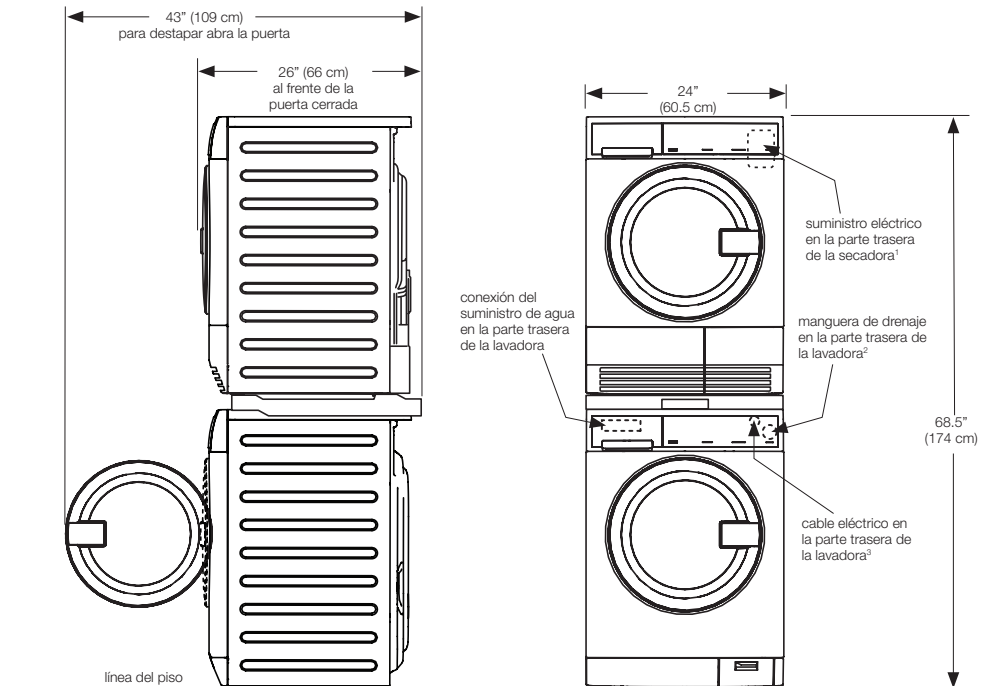
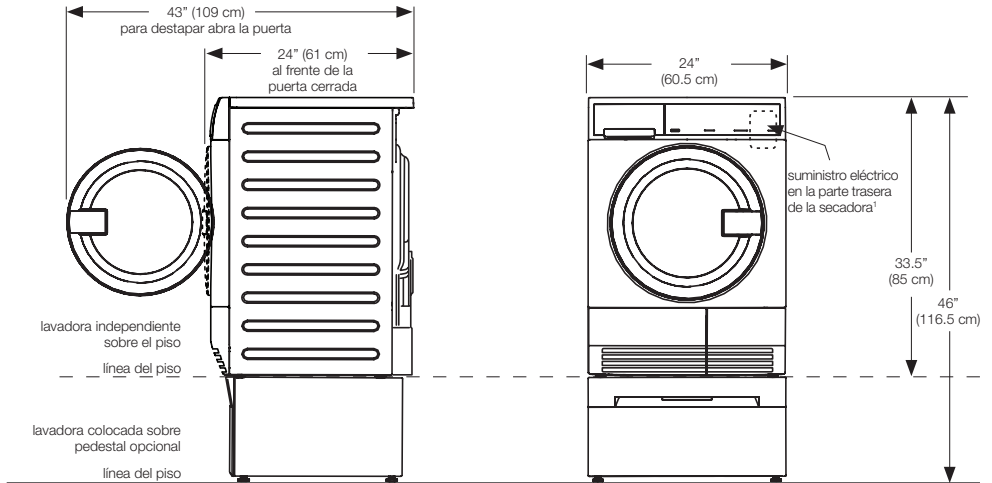


Instalación en Clóset

Si instala la secadora en un clóset, la unidad debe operarse exclusivamente con la puerta en posición abierta para permitir la adecuada circulación del aire. Encontrará más información en la Guía de Uso y Cuidado.



Dimensiones de la Secadora



¹La longitud del cable de alimentación de la secadora de Canadá de aproximadamente 150 cm (59 in).

²La longitud de la manguera de drenaje de la lavadora es de aproximadamente 140 cm (55 in).

³La longitud del cable de alimentación de la lavadora es de aproximadamente 150 cm (59 in).

34 Instrucciones de Instalación

Instalación eléctrica

Los siguientes son requisitos necesarios para la instalación eléctrica segura y correcta de su secadora. El no seguir estas instrucciones puede producir una descarga eléctrica y/o incendio.

⚠ ADVERTENCIA

PELIGRO DE DESCARGA ELÉCTRICA

- Este electrodoméstico DEBE estar debidamente conectado a tierra. Si la secadora no está conectada a tierra correctamente, se pueden producir descargas eléctricas. Siga las instrucciones de esta guía para ver cómo se realiza una correcta conexión a tierra.
- No utilice un cable de extensión con esta secadora. Algunos cables de extensión no están diseñados para soportar la cantidad de corriente eléctrica que utiliza esta secadora y pueden derretirse, lo que constituye un peligro de descarga eléctrica y/o incendio. Ubique la secadora en un lugar donde el cable de alimentación que compre esté al alcance del receptáculo, permitiendo que el cable quede holgado. Consulte los requisitos de preinstalación de esta guía para ver cuál es el cable de alimentación correcto que se debe comprar.

⚠ ADVERTENCIA

PELIGRO DE DESCARGA ELÉCTRICA

- Debe instalarse, en el cable de alimentación, un dispositivo de liberación de tensión aprobado por U.L. Si no se coloca un dispositivo de liberación de tensión, el cable podrá desenchufarse de la secadora y cortarse por cualquier movimiento, y provocar así una descarga eléctrica.
- No utilice un receptáculo con cableado de aluminio para un enchufe y cable de alimentación con cables de cobre (o viceversa). La reacción química que tiene lugar entre el cobre y el aluminio puede causar cortocircuitos eléctricos. El receptáculo y el cableado correcto consiste en un cable de alimentación con alambres de cobre con un receptáculo de cables de cobre.

📌 NOTA

Las secadoras que funcionan con 208 voltios de corriente eléctrica tendrán tiempos de secado más prolongados que las que funcionan con 240 voltios de corriente eléctrica.

Requisitos de conexión a tierra: secadora eléctrica (Estados Unidos)

⚠ ADVERTENCIA

PELIGRO DE DESCARGA ELÉCTRICA

Una conexión incorrecta del conductor de conexión a tierra del equipo puede provocar un peligro de descarga eléctrica. Si no está seguro de haber realizado correctamente la conexión a tierra del artefacto, consulte a un electricista autorizado.

Para una secadora conectada a tierra:

- 1 La secadora DEBE tener conexión a tierra. En el caso de que la secadora no funcione correctamente o se descomponga, la conexión a tierra reduce el riesgo de descarga eléctrica porque ofrece una trayectoria de menor resistencia para la corriente eléctrica.
- 2 Después de comprar e instalar un cable de alimentación trifilar o tetrafililar con un conductor de conexión a tierra, el enchufe DEBE estar conectado a un receptáculo adecuado con cable de cobre correctamente instalado y con conexión a tierra, de acuerdo con todos los códigos y las ordenanzas locales. Ante cualquier duda, comuníquese con un electricista autorizado.
- 3 NO realice modificaciones al enchufe que se proporciona con este artefacto. Si no calza en el tomacorrientes, pídale a un electricista calificado que instale un tomacorrientes adecuado.

Requisitos de conexión a tierra: secadora eléctrica (Canadá)

⚠ ADVERTENCIA

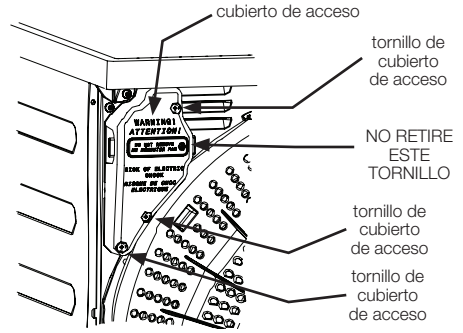
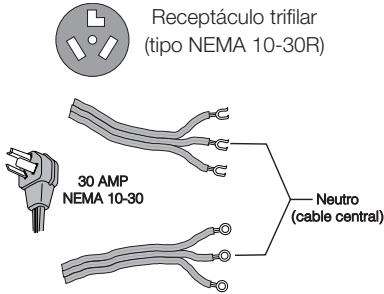
PELIGRO DE DESCARGA ELÉCTRICA

Una conexión incorrecta del conductor de conexión a tierra del equipo puede provocar un peligro de descarga eléctrica. Si no está seguro de haber realizado correctamente la conexión a tierra del artefacto, consulte a un electricista autorizado.

Para una secadora conectada a tierra:

- 1 La secadora DEBE tener conexión a tierra. En el caso de que la secadora no funcione correctamente o se descomponga, la conexión a tierra reduce el riesgo de descarga eléctrica porque ofrece una trayectoria de menor resistencia para la corriente eléctrica.
- 2 Debido a que la secadora está equipada con un cable de alimentación eléctrica que cuenta con un conductor de conexión a tierra, el enchufe debe estar conectado a un tomacorriente correctamente instalado y con conexión a tierra, de acuerdo con todos los códigos y las ordenanzas locales. Ante cualquier duda, comuníquese con un electricista autorizado.
- 3 NO realice modificaciones al enchufe que se proporciona con este artefacto. Si no calza en el tomacorrientes, pídale a un electricista calificado que instale un tomacorrientes adecuado.

Conexión eléctrica (fuera de Canadá): trifilar



⚠ ADVERTENCIA

PELIGRO DE DESCARGA ELÉCTRICA

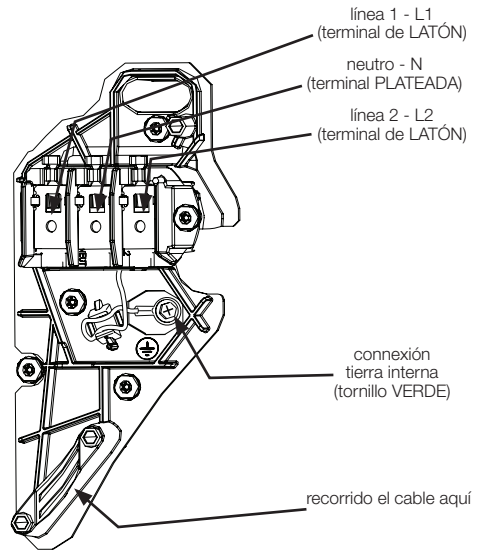
El no desconectar el suministro eléctrico antes de realizar cualquier reparación puede ocasionar lesiones personales o incluso la muerte.

- 1 Desconecte el suministro eléctrico del tomacorriente.
- 2 Extraiga los tornillo que sujeta la cubierta de acceso del bloque terminal que se encuentra en la esquina inferior de la parte trasera de la secadora.
- 3 Usando un cable de alimentación aprobado por U.L. DESENCHUFADO, de 30 amp. tipo NEMA 10-30, SRDT, conecte el conductor neutro (cable del centro) del cable de alimentación al terminal PLATEADO del centro del bloque terminal. Ajuste el tornillo con firmeza.

📌 NOTA

Los tornillos de terminal se envían de fábrica colocados temporalmente dentro de la cubierta de acceso.

- 4 Conecte los dos conductores externos restantes del cable de alimentación a los terminales externos de color LATÓN del bloque terminal. Ajuste los dos tornillos con firmeza



⚠ ADVERTENCIA

PELIGRO DE DESCARGA ELÉCTRICA

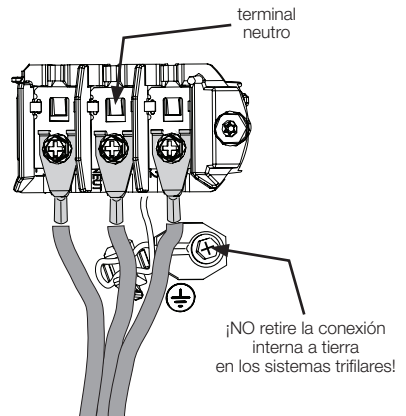
No forme un ángulo agudo con el cableado/conductor, ni los doble en el punto de conexión.

- 5 Vuelva a instalar la cubierta del bloque terminal.

⚠ ADVERTENCIA

RIESGO DE CHOQUE ELÉCTRICO

No utilice la secadora sin la cubierta de terminales colocada. Una cubierta de terminales correctamente instalada también sirve de aliviador de tensión para el cable de alimentación.

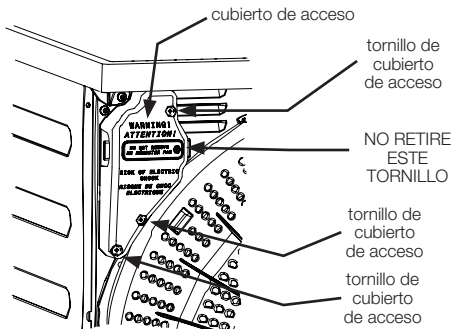
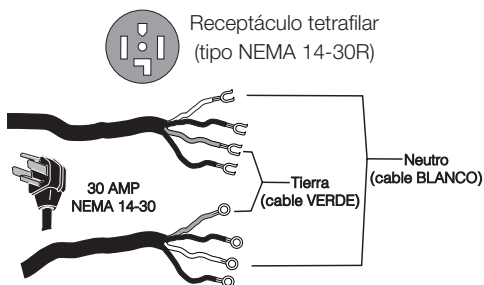


📌 IMPORTANTE

Para mover la secadora desde un sistema tetrafilar e instalarla en un sistema trifilar, mueva la conexión a tierra interna del terminal central nuevamente hacia el tornillo VERDE que se encuentra junto al bloque terminal.

36 Instrucciones de Instalación

Conexión eléctrica (fuera de Canadá): tetrafilar



⚠ ADVERTENCIA

PELIGRO DE DESCARGA ELÉCTRICA

El no desconectar el suministro eléctrico antes de realizar cualquier reparación puede ocasionar lesiones personales o incluso la muerte.

- 1 Desconecte el suministro eléctrico del tomacorriente.
- 2 Extraiga el tornillo que sujeta la cubierta de acceso del bloque terminal que se encuentra en la esquina inferior de la parte trasera de la secadora.
- 3 Desconecte el cable interno (BLANCO) de conexión a tierra que integra el enchufe preformado de la secadora del tornillo de conexión a tierra (VERDE) que está junto al bloque terminal.
- 4 Usando un cable de alimentación aprobado por U.L. DESENCHUFADO, de 30 amp. tipo NEMA 14-30, SRDT o ST a través del dispositivo de liberación de tensión, desconecte el cable interno (BLANCO) de conexión a tierra que integra el enchufe preformado de la secadora del tornillo de conexión a tierra (VERDE) que está junto al bloque terminal. Ajuste el tornillo con firmeza.

🔧 NOTA

Los tornillos de terminal se envían de fábrica colocados temporalmente dentro de la cubierta de acceso.

- 5 Mueva el cable interno (BLANCO) de conexión a tierra que integra el enchufe preformado de la secadora al bloque terminal y conéctelo junto con el conductor neutro (BLANCO) del cable de alimentación al terminal PLATEADO del centro del bloque terminal. Ajuste el tornillo con firmeza.
- 6 Conecte los conductores ROJO y NEGRO del cable de alimentación a los terminales externos de color LATÓN del bloque terminal. Ajuste los dos tornillos con firmeza.

⚠ ADVERTENCIA

PELIGRO DE DESCARGA ELÉCTRICA

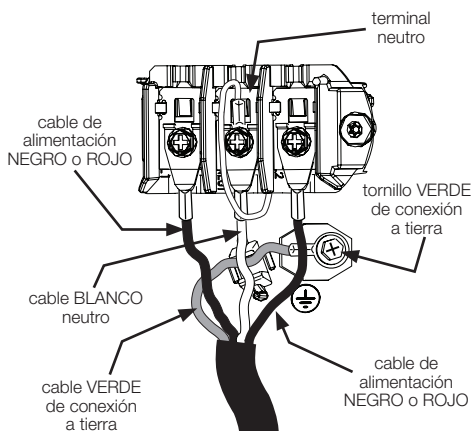
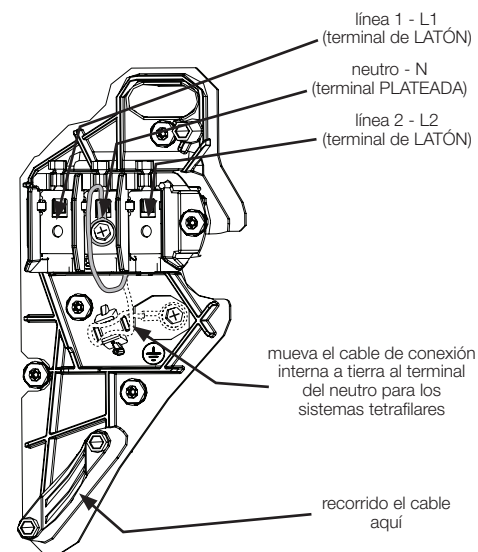
No forme un ángulo agudo con el cableado/conductor, ni los doble en el punto de conexión.

- 7 Vuelva a instalar la cubierta del bloque terminal.

⚠ ADVERTENCIA

RIESGO DE CHOQUE ELÉCTRICO

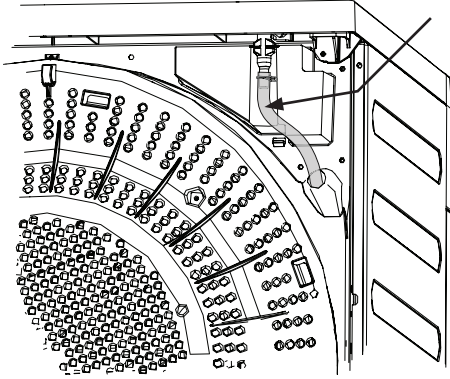
No utilice la secadora sin la cubierta de terminales colocada. Una cubierta de terminales correctamente instalada también sirve de aliviador de tensión para el cable de alimentación.



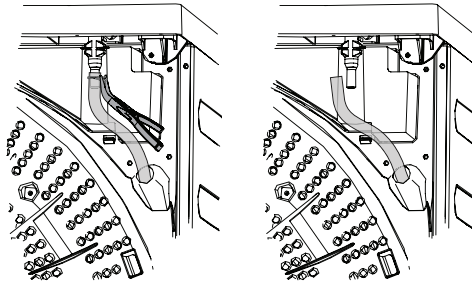
Kit de Desagüe Directo (en algunos modelos)

Si su modelo incluía un kit de desagüe directo, puede realizar las instrucciones siguientes para instalarlo en la secadora y desaguar cómodamente el agua condensada.

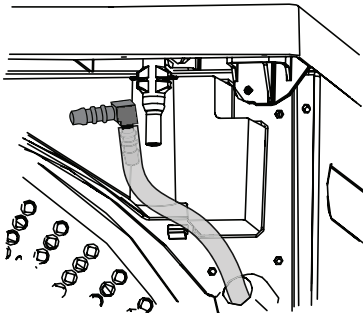
- 1 Localice el conducto rojo y el accesorio de plástico en la parte trasera de la secadora.



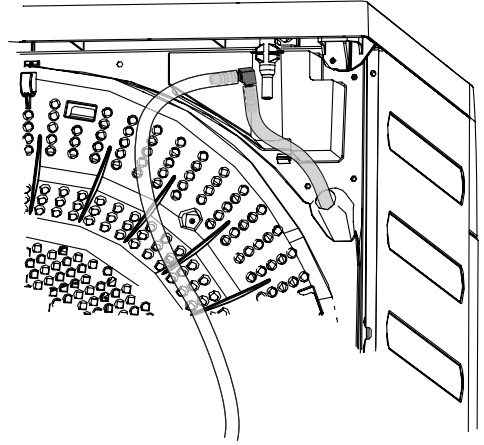
- 2 Con unos alicates, suelte la abrazadera de la manguera y retire el tubo del accesorio de plástico.



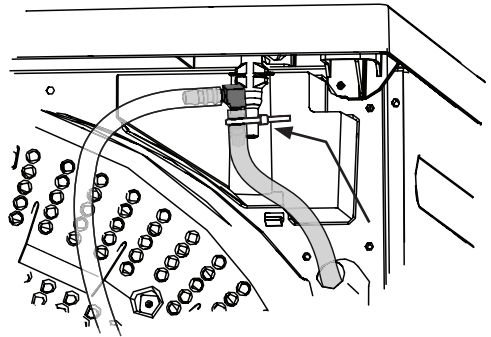
- 3 Tome el codo de plástico de 90 grados del kit de instalación de desagüe directo que acompaña a la secadora e instálelo en el tubo rojo.



- 4 Tome el tubo transparente incluido en el kit e instálelo también en el codo.



- 5 Con la brida para cables de plástico incluida en el kit, asegure el codo y los tubos al accesorio de plástico.

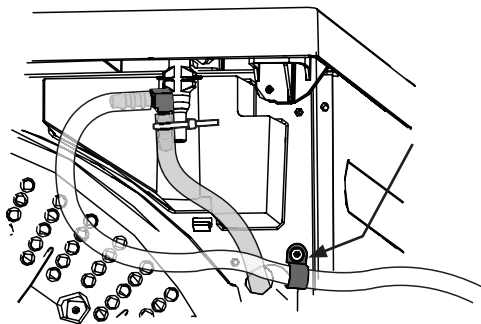


Kit de desagüe directo, continúa en la página siguiente...

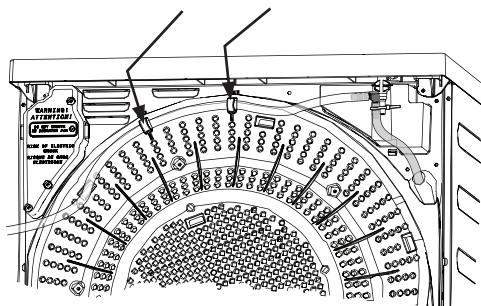
38 Instrucciones de Instalación

Kit de Desagüe Directo, continuación

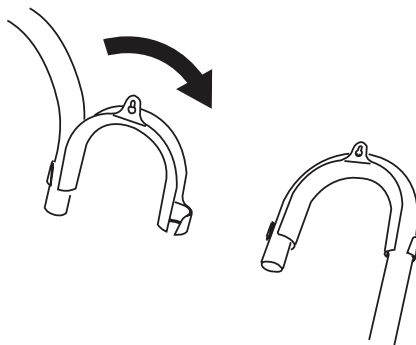
- 6 Para dirigir el tubo de desagüe hacia la izquierda de la secadora, fije el tubo con el soporte en forma de "P" del kit a la parte trasera de la secadora utilizando el tornillo señalado a continuación.



- 7 Para dirigir el tubo de desagüe hacia la derecha de la secadora, lleve el cable por la parte trasera de la secadora encajándolo en los soportes con forma de "C" mostrados a continuación.



- 8 Instale el colgador de manguera del kit en el extremo de la manguera e insértelo en el desagüe.



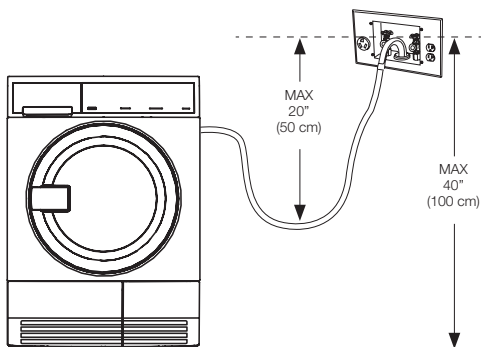
IMPORTANTE

Siga estas directrices para una instalación correcta de la manguera de desagüe:

- 1 La distancia desde la parte más baja hasta la parte más alta del tubo de desagüe no debe ser superior a 20" (50 cm).

Si el tubo cuelga más de la distancia indicada, quizá sea necesario acortarlo con unas tijeras.

- 2 La altura del desagüe no debe ser superior a 40" (100 cm) con respecto a la parte inferior de las patas de la secadora.



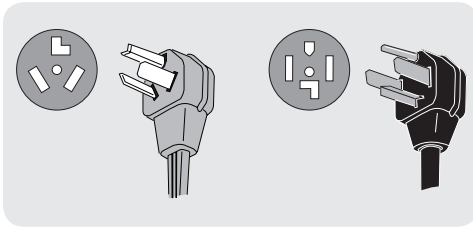
Instalación general

- 1 Utilice un nivel de carpintero para nivelar todos los costados de la secadora.
- 2 Utilice la pinzas ajustables para ajustar las patas niveladoras de modo que la secadora esté nivelada en relación con todos sus lados, atrás/adelante y derecha/izquierda, y estabilizada en las cuatro esquinas.
- 3 Presione hacia abajo las distintas esquinas y lados para asegurarse de que no haya vibración alguna. Ajuste las patas correspondientes de modo que la lavadora descansa firmemente en el piso sobre las CUATRO patas. Mantenga la extensión de las patas niveladoras al mínimo para un mejor rendimiento de la secadora.

IMPORTANTE

Revise la caja del interruptor automático/fusibles para asegurarse de que la electricidad esté desconectada antes de conectar el cable de alimentación al tomacorriente.

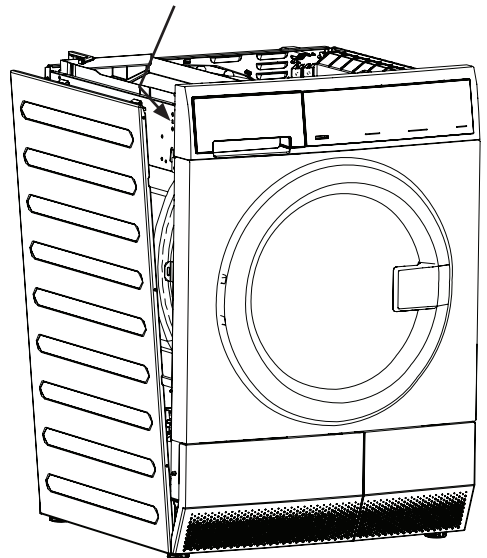
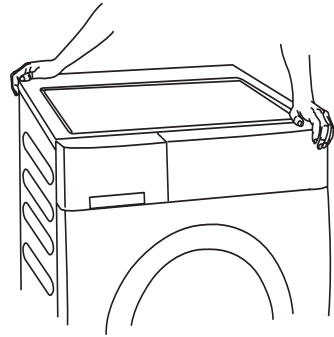
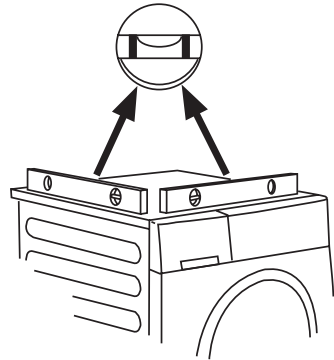
- 4 Conecte el cable de alimentación a un tomacorriente con conexión a tierra.



- 5 Conecte la electricidad desde la caja del interruptor automático/fusibles.
- 6 Consulte la Guía de uso y cuidado que se proporciona con la secadora. Dicha guía contiene información útil y valiosa que le ahorrará tiempo y dinero.
- 7 Si tiene alguna pregunta durante el funcionamiento inicial, repase la "Lista de control para evitar el servicio técnico" de su Guía de uso y cuidado antes de llamar al servicio técnico.
- 8 Guarde estas instrucciones cerca de la secadora para referencia futura.

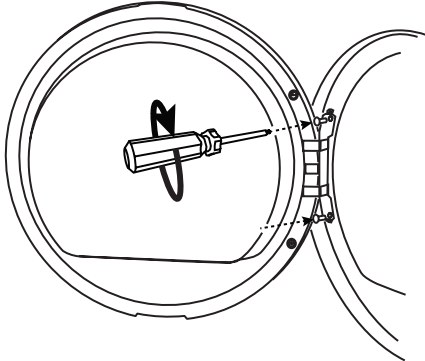
NOTA

Hay un diagrama de cableado junto al depósito de agua tras el panel del gabinete izquierdo.

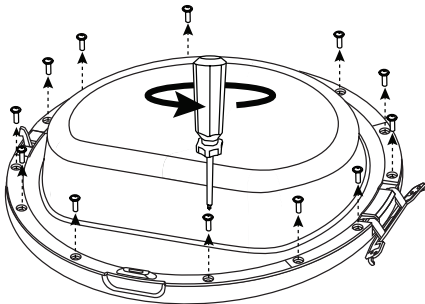


40 Inversión de la Puerta

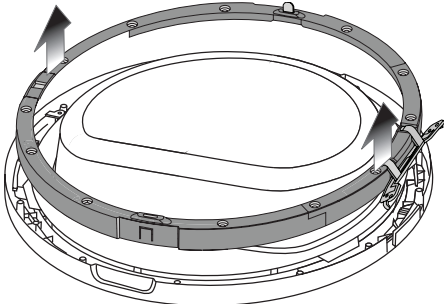
- 1 Proteja las superficies de trabajo planas, como la parte superior de la secadora o el piso cerca de ésta utilizando un paño o toalla suave.
- 2 Abra la puerta de la secadora y retire los dos tornillos de la bisagra. Retire el tornillo inferior primero y luego el tornillo superior.



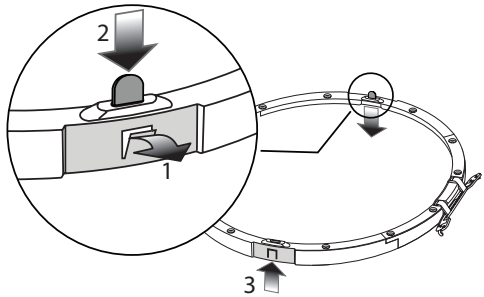
- 3 Coloque cuidadosamente la puerta de la secadora sobre una superficie de trabajo plana y protegida con la superficie exterior hacia abajo.
- 4 Localice los 12 tornillos (números 1-12) del anillo interior de la puerta. Retire y guarde estos 12 tornillos.



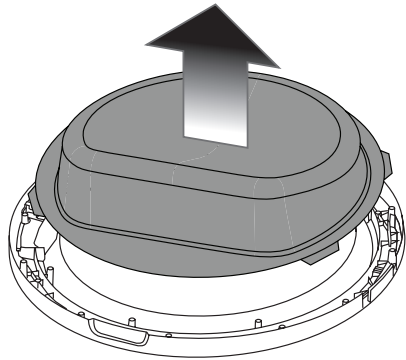
- 5 Separe el anillo interior de la puerta del resto de la puerta.



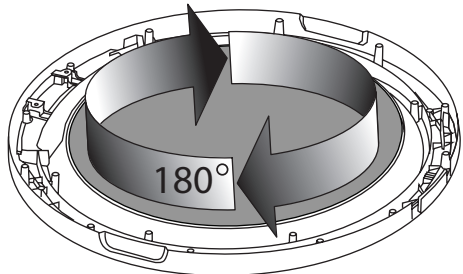
- 6 Libere el percutor del interruptor de la puerta, desplácelo a la posición opuesta y reinstálelo. Aparte el anillo interior de la puerta.



- 7 Levante la lente interior y apártela.

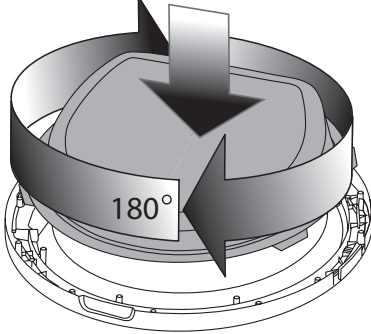


- 8 Si su modelo tiene 8 tornillos que fijan la lente exterior, retírelos y consérvelos para después. Levante y rote la lente exterior 180°. Descienda la lente exterior hasta su posición.

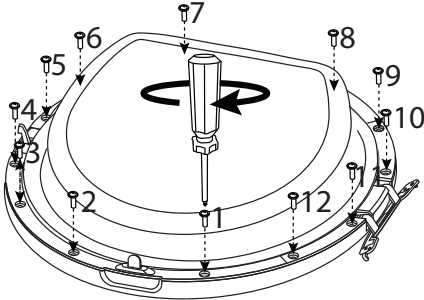


- 9 Reinstale los 8 tornillos, si los retiró en el paso anterior. Si no hay tornillos presentes, continúe en el paso siguiente.

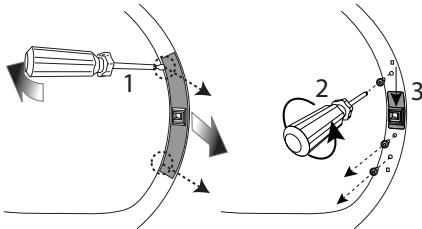
- 10** Rote la lente interior 180° y vuelva a colocarla en el montaje de la puerta.



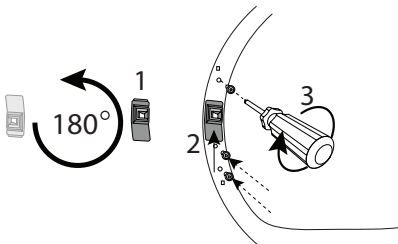
- 11** Reinstale el anillo de la puerta interior con los 12 tornillos retirados anteriormente.



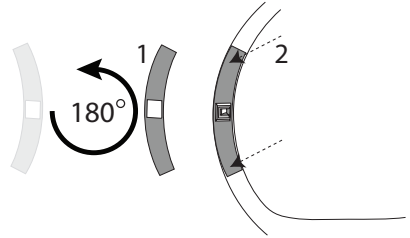
- 12** Presione suavemente la cubierta de plástico del pestillo del panel frontal y apártela. Retire los 3 tornillos que fijan el pestillo y libere el pestillo.



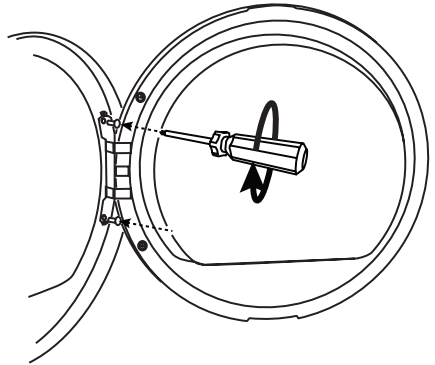
- 13** Rote el pestillo 180° y reinstálelo en la ubicación opuesta.



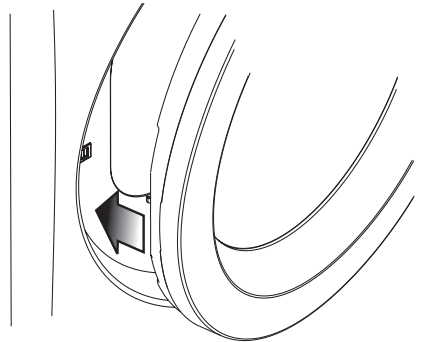
- 14** Rote la cubierta del pestillo de plástico 180° y encájela en su posición en torno al pestillo de la puerta.



- 15** Mientras sostiene la puerta, instale los 2 tornillos de montaje de la bisagra retirados en el primer paso. Monte primero el tornillo superior y después el inferior.



- 16** Cierre la puerta y pruebe el funcionamiento de la bisagra, del percutor y del pestillo.



42 Accesorios

PEDESTAL DE ALMACENAMIENTO CONCORDANTE*

Pedestal de color blanco - Pieza No.. EPWD200QSW

Un accesorio de pedestal de almacenamiento, especialmente diseñado para esta secadora, se puede utilizar para elevar la secadora y facilitar su uso.

*Es posible que hayan otros colores disponibles. Póngase en contacto con el distribuidor donde adquirió la secadora.

KIT DE DESAGÜE DIRECTO

Pieza No.. DK11

Dependiendo del modelo que haya comprado, es posible que esta secadora incluya un kit de desagüe directo. Si el modelo que adquirió no incluye un kit de desagüe directo puede pedir uno.

KIT DE SECADORA PARA CENTRO DE LAVADO

Pieza No.. STACKIT24

Dependiendo del modelo que haya comprado, es posible que esta secadora incluya un kit para instalarla sobre la lavadora correspondiente. Si el modelo que adquirió no incluye un kit de instalación sobre la lavadora o desea un kit diferente, puede pedir uno.

REJILLA DE SECADO

Pieza No.. 916093163

Dependiendo del modelo que haya comprado, es posible que esta secadora incluya una rejilla de secado. Si el modelo que adquirió no incluye una rejilla de secado puede pedir una.

LLAVE UNIVERSAL PARA ELECTRODOMÉSTICOS

Pieza No.. 137019200

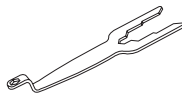
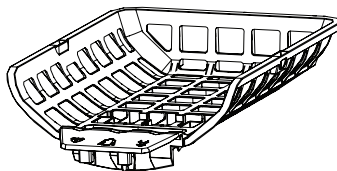
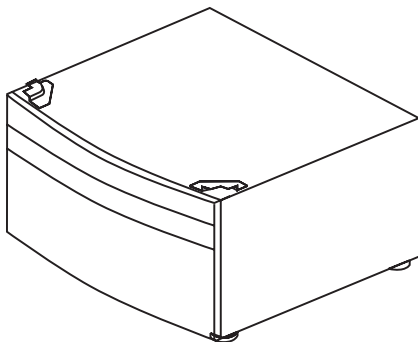
También puede pedir una Llave Universal para Electrodomésticos para ayudarlo a ajustar las patas de las secadoras, lavadoras o pedestales.

Piezas de repuesto:

Si su secadora necesita piezas de repuesto, comuníquese con el sitio donde la adquirió, o consulte la Guía de uso y cuidado para obtener más información.

⚠ PRECAUCIÓN

El no utilizar accesorios fabricados (o aprobados) por el fabricante puede ocasionar lesiones personales, daños a la propiedad o daños a la secadora.



⚠ ADVERTENCIA

PELIGRO DE DESCARGA ELÉCTRICA

Cuando se reparen los controles, rote todos los cables antes de desconectarlos. Los errores de cableado pueden producir un funcionamiento incorrecto y peligroso. Verifique que el funcionamiento es correcto después de realizar las reparaciones.

electrolux.com/shop

