

---

**EN** FRONT LOAD DRYER

FR SÉCHEUSE À CHARGEMENT FRONTAL

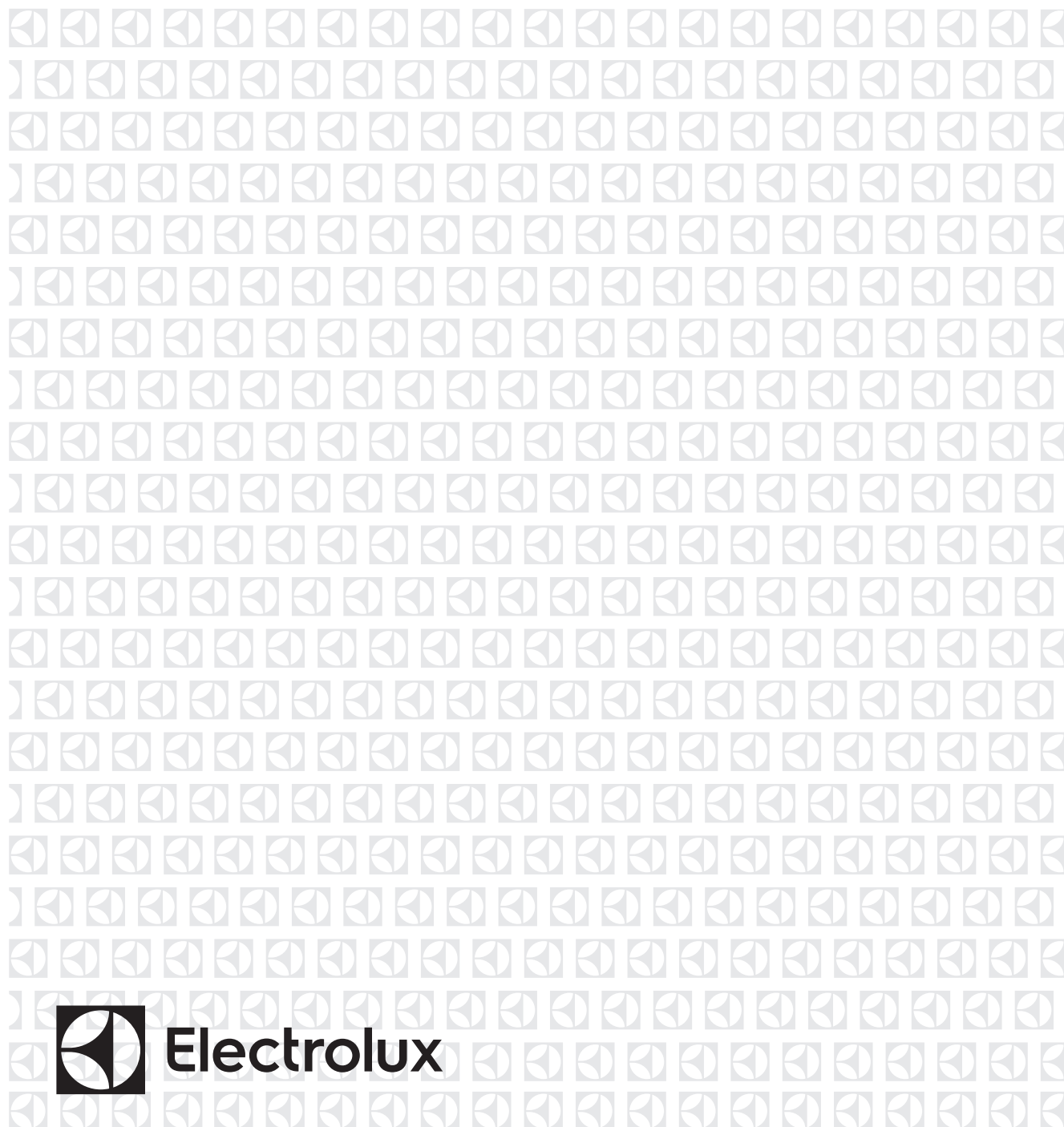
ES SECADORA DE CARGA FRONTAL

---

INSTALLATION INSTRUCTIONS

INSTRUCTIONS D'INSTALLATION

INSTRUCCIONES DE INSTALACIÓN



## 2 Important Safety Instructions



### WARNING

Please read all instructions before using this dryer.

### Recognize Safety Symbols, Words and Labels

Safety items throughout this manual are labeled with a WARNING or CAUTION based on the risk type as described below:

#### Definitions

**⚠** This is the safety alert symbol. It is used to alert you to potential personal injury hazards. Obey all safety messages that follow this symbol to avoid possible injury or death.



### DANGER

DANGER indicates an imminently hazardous situation which, if not avoided, will result in death or serious injury.



### WARNING

WARNING indicates a potentially hazardous situation which, if not avoided, could result in death or serious injury.



### CAUTION

CAUTION indicates a potentially hazardous situation which, if not avoided, may result in minor or moderate injury.



### IMPORTANT

Indicates installation, operation, or maintenance information which is important but not hazard-related.

### Table of Contents

Important Safety Instructions .....	2
Installation Requirements.....	4
Installation Instructions .....	8
Reversing Door.....	15
Accessories.....	17

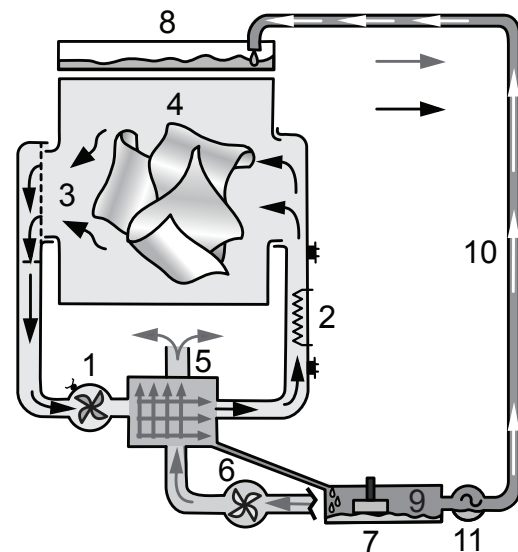
Thank you for choosing an Electrolux Compact Ventless Dryer. This dryer operates on a different drying principle than traditional exhaust ducted dryers. Your new dryer is a condensation, ventless dryer and **DOES NOT** require exhaust venting that exhausts the drying process air to the outside.

A condensation dryer works through a closed loop circuit. The drying process air is heated by an internal heating element, which then passes over and through your clothes. The moisture rich air proceeds down through a lint filter, then through an air-air heat exchanger that works as a condenser. The warm, wet air is cooled by a separate secondary fan that utilizes ambient room air. When the process air cools down, it releases moisture that is collected in a recovery basin at the bottom of the appliance. The water can be either pumped down the drain by the provided kit, or pumped directly into a tank that needs to be emptied after each drying cycle.



### IMPORTANT

Your new dryer is a condensation, ventless dryer and **DOES NOT** require exhaust venting that exhausts the drying process air to the outside.



- |   |  |
|---|--|
| 1. Primary circuit – drying process air fan | 6. Secondary circuit – ambient air fan |
| 2. Heating element                          | 7. Drain water basin                   |
| 3. Lint filter                              | 8. Water tank                          |
| 4. Clothes load                             | 9. Float/pump switch                   |
| 5. Heat exchanger                           | 10. Water drain tube                   |
|   | 11. Water pump                         |



## WARNING

For your safety the information in this manual must be followed to minimize the risk of fire or explosion or to prevent property damage, personal injury or loss of life. Do not store or use gasoline or other flammable vapors and liquids in the vicinity of this or any other appliance.



## WARNING RISK OF FIRE

Read all the following instructions before installing and using this appliance.

- Recycle the carton and dispose of plastic bags after the dryer is unpacked. Children might use them to play. Cartons covered with rugs, bedspreads, or plastic sheets can become airtight chambers causing suffocation. Place all materials in a garbage container or make materials inaccessible to children.
- Clothes dryer installation and service must be performed by a qualified installer or service agency.
- Install the clothes dryer according to the manufacturer's instructions and local codes.
- The electrical service to the dryer must conform with local codes and ordinances and the latest edition of the National Electrical Code, ANSI/NFPA 70, or in Canada, the Canadian Electrical Code CSA C22.1 part 1.
- The dryer is designed under ANSI Z21.5.1/CSA 7.1 or UL 2158 - CAN/CSA C22.2 No. 112 (latest editions) for HOME USE only. This dryer is not recommended for commercial applications such as restaurants, beauty salons, etc.
- **DO NOT** stack a dryer on top of washer already installed on pedestal. **DO NOT** stack dryer on top of another dryer. **DO NOT** stack washer on top of dryer. **DO NOT** stack washer on top of another washer. **DO NOT** stack dryer on top of washer without use of manufacturer approved and correctly installed stacking kit appropriate for your model.

The instructions in this manual and all other literature included with this dryer are not meant to cover every possible condition and situation that may occur. Good safe practice and caution **MUST** be applied when installing, operating and maintaining any appliance.



## CAUTION

### EXCESSIVE WEIGHT HAZARD

To avoid back or other injury, have more than one person move or lift the dryer.



## WARNING

### EXPLOSION HAZARD

Do not install the dryer where gasoline or other flammables are kept or stored. If the dryer is installed in a garage, it must be a minimum of 18 inches (45.7 cm) above the floor. Failure to do so can result in death, explosion, fire or burns.



## IMPORTANT

### DO NOT INSTALL YOUR DRYER:

1. In an area exposed to dripping water or outside weather conditions.
2. On carpet. Floor **MUST** be solid with a maximum slope of 1 inch (2.5 cm).

**SAVE THESE INSTRUCTIONS FOR FUTURE REFERENCE.**

## Please Read and Save this Guide

Thank you for choosing Electrolux, the premium brand in home appliances. These Installation Instructions are part of our commitment to customer satisfaction and product quality throughout the life of your new appliance.

## Questions?

Toll-free telephone and online support:

**U.S. :** 1-877-4ELECTROLUX  
(1-877-435-3287)

[www.electroluxappliances.com](http://www.electroluxappliances.com)

**Canada:** 1-800-265-8352

[www.electroluxappliances.ca](http://www.electroluxappliances.ca)



## Installation Checklist

### Unpacking

- Plastic film (lining drum interior) is removed and discarded. See also image below.

### Leveling

- Dryer is level, side-to-side and front-to-back
- Cabinet is setting solid on all corners

### 208v/240v Electric Supply

- Approved NEMA 10-30 or 14-30 service cord with all screws tight on terminal block
- Terminal access cover/strain relief installed before initial operation

**Note:** Dryers operating on 208 volt power supply will have longer drying times than dryers operating on 240 volt power supply.

### Door Reversal

- Follow detailed instructions in this guide
- Test hinge and latch for function

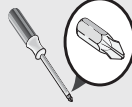


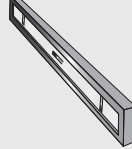

### Electrical Power

- House power turned on
- Dryer plugged in

### Final Checks

- Installation Instructions and Use & Care Guide read thoroughly
- Door latches and drum tumbles when cycle starts
- Registration card sent in

## Tools and Materials Needed for Installation:

 Phillips screwdriver	AND	 Optional universal wrench	OR	 Adjustable pliers	AND	 Carpenter's level	AND	 3- or 4-wire 240 volt cord kit
--	-----	--	----	---	-----	---	-----	--



## Electrical Requirements for Electric Dryer



### NOTE

Because of potentially inconsistent voltage capabilities, the use of this dryer with power created by gas powered generators, solar powered generators, wind powered generators or any other generator other than the local utility company is not recommended.

**CIRCUIT** - Individual 30 amp. branch circuit fused with 30 amp. time delay fuses or circuit breakers. Use separately fused circuits for washer and dryer. **DO NOT** operate a washer and a dryer on the same circuit.

**POWER SUPPLY** - 3-wire or 4-wire, 208-240 volt, single phase, 60 Hz, Alternating Current.



### IMPORTANT

This dryer is internally grounded to neutral unless it was manufactured for sale in Canada.

Only a 4-conductor cord shall be used when the appliance is installed in a location where grounding through the neutral conductor is prohibited. Grounding through the neutral link is prohibited for: (1) new branch circuit installations, (2) mobile homes, (3) recreational vehicles, and (4) areas where local codes do not permit grounding through the neutral.

**OUTLET RECEPTACLE** - NEMA 10-30R or NEMA 14-30R receptacle to be located so the power supply cord is accessible when the dryer is in the installed position.

**GROUNDING CONNECTION** - See "Grounding requirements" in Electrical Installation section.

### 4-WIRE POWER SUPPLY CORD KIT (not supplied)



4-wire receptacle  
(NEMA type 14-30R)

The dryer **MUST** employ a 4-conductor power supply cord NEMA 14-30 type SRDT or ST (as required) rated at 240 volt AC minimum, 30

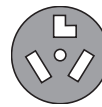
amp, with 4 open end spade lug connectors with upturned ends or closed loop connectors and marked for use with clothes dryers. For 4-wire cord connection instructions see **ELECTRICAL CONNECTIONS FOR A 4-WIRE SYSTEM**.



### NOTE

Dryers manufactured for sale in Canada have factory-installed, 4-wire power supply cord (NEMA 14-30).

### 3-WIRE POWER SUPPLY CORD KIT (not supplied)



3-wire receptacle  
(NEMA type 10-30R)

The dryer **MUST** employ a 3-conductor power supply cord NEMA 10-30 type SRDT rated at 240 volt AC minimum, 30 amp, with 3 open end spade lug connectors with upturned ends or closed loop connectors and marked for use with clothes dryers. For 3-wire cord connection instructions see **ELECTRICAL CONNECTIONS FOR A 3-WIRE SYSTEM**.



### WARNING

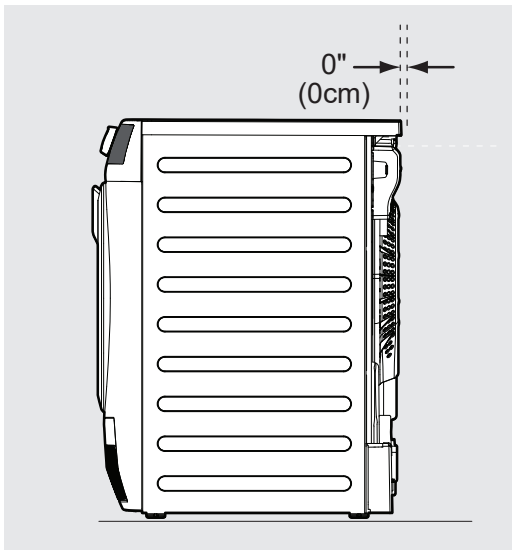
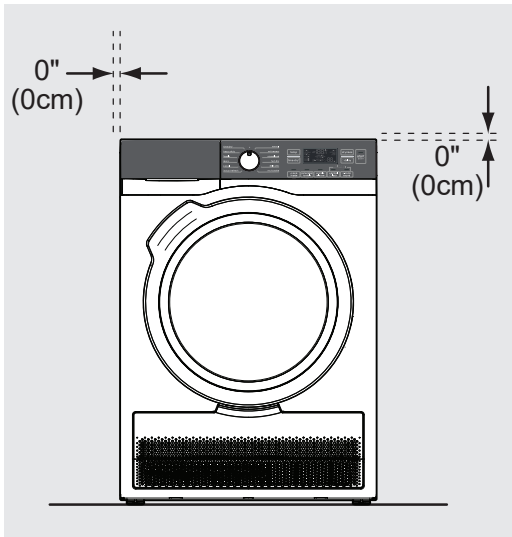
Improper grounding of the dryer may cause serious injury or death. Check with a licensed electrician if you are in doubt as to whether the appliance is properly grounded.

# 6 Installation Requirements

## Manufactured or Mobile Home Installation

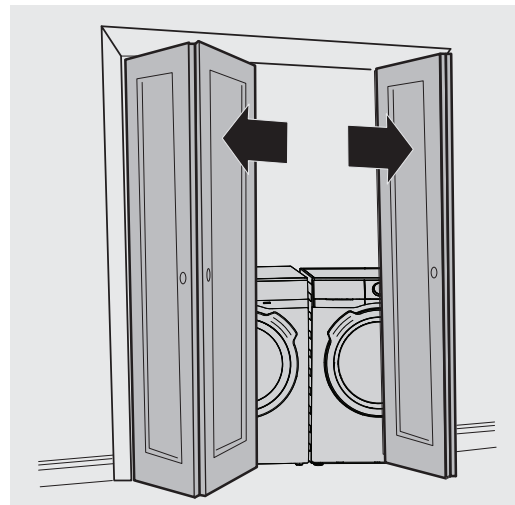
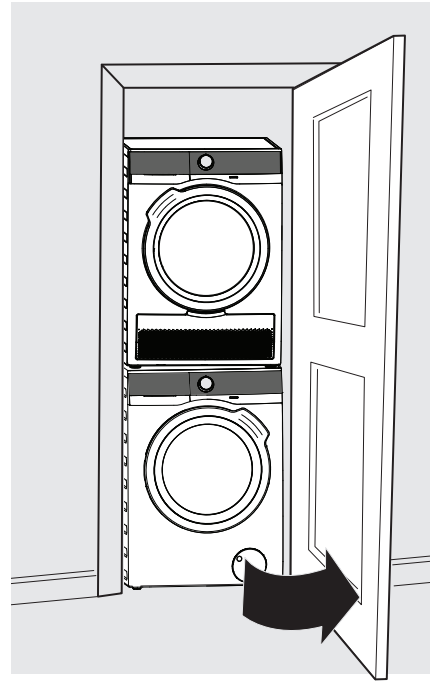
Installation MUST conform to current Manufactured Home Construction & Safety Standard, Title 24 CFR, Part 32-80 (formerly the Federal Standard for Mobile Home Construction and Safety, Title 24, HUD Part 280) or Standard CAN/CSAZ240 MH.

## Clearance Requirements



## Closet Installation

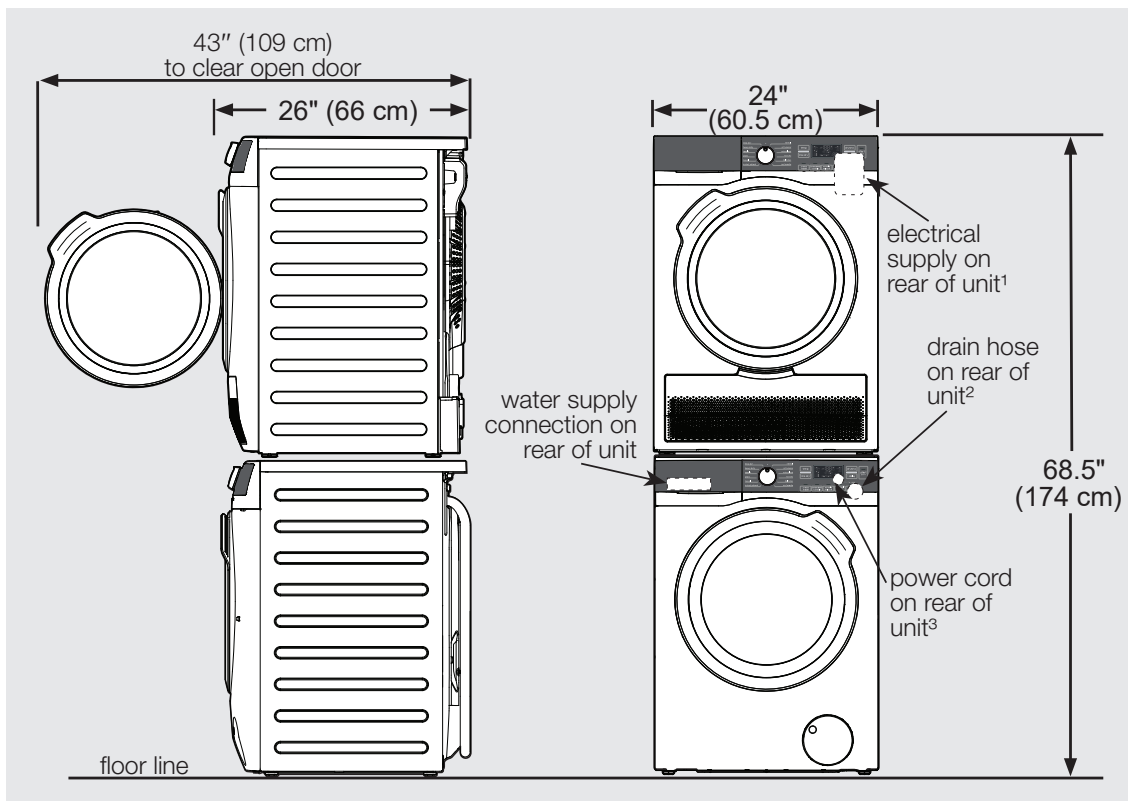
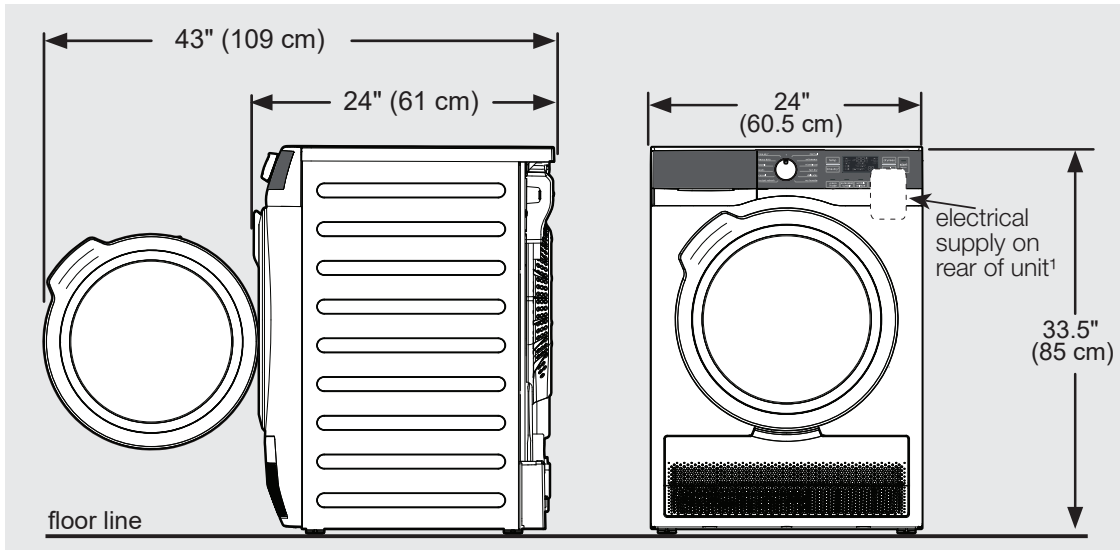
If installing the dryer in a closet, the closet door must remain open while the dryer is running to allow correct air circulation. See Use & Care Guide for more information.



MINIMUM INSTALLATION CLEARANCES - Inches (cm)

	SIDES	REAR	TOP	FRONT
Alcove	0" (0 cm)	0" (0 cm)	0" (0 cm)	n/a
Under Counter	0" (0 cm)	0" (0 cm)	0" (0 cm)	n/a

## Dryer Dimensions



<sup>1</sup>Power supply cord length on Canadian dryer approximately 59 inches (150 cm).

<sup>2</sup>Drain hose length on washer approximately 55 inches (140 cm).

<sup>3</sup>Power supply cord length on washer approximately 59 inches (150 cm).

# 8 Installation Instructions

## Electrical Installation

The following are specific requirements for proper and safe electrical installation of your dryer. Failure to follow these instructions can create electrical shock and/or a fire hazard.



### WARNING

#### ELECTRICAL SHOCK HAZARD

- This appliance **MUST** be properly grounded. Electrical shock can result if the dryer is not properly grounded. Follow the instructions in this manual for proper grounding.
- Do not use an extension cord with this dryer. Some extension cords are not designed to withstand the amounts of electrical current this dryer utilizes and can melt, creating electrical shock and/or fire hazard. Locate the dryer within reach of the receptacle for the length power cord to be purchased, allowing some slack in the cord. Refer to the pre-installation requirements in this manual for the proper power cord to be purchased.



### WARNING

#### ELECTRICAL SHOCK HAZARD

- A U.L.-approved strain relief must be installed onto power cord. If the strain relief is not attached, the cord can be pulled out of the dryer and can be cut by any movement of the cord, resulting in electrical shock.
- Do not use an aluminum wired receptacle with a copper wired power cord and plug (or vice versa). A chemical reaction occurs between copper and aluminum and can cause electrical shorts. The proper wiring and receptacle is a copper wired power cord with a copper wired receptacle.



### NOTE

The electric dryer has been designed and certified to operate at both 240V and 208V. Drying times on a 208V power supply will, however, be approximately 20% longer than drying times on a 240V power supply. This is normal and expected behavior and applies to all drying cycles.



### WARNING

#### ELECTRICAL SHOCK HAZARD

Improper connection of the equipment grounding conductor can result in a risk of electrical shock. Check with a licensed electrician if you are in doubt as to whether the appliance is properly grounded.

## Grounding Requirements - Electric Dryer (USA)

For a grounded, cord-connected dryer:

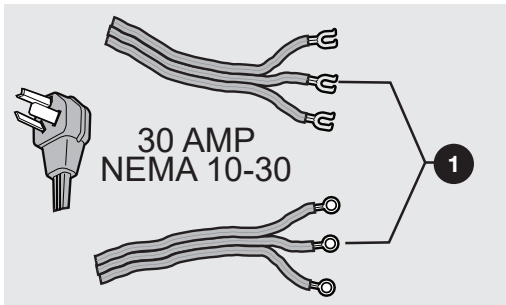
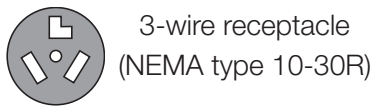
1. The dryer **MUST** be grounded. In the event of a malfunction or breakdown, grounding will reduce the risk of electrical shock by a path of least resistance for electrical current.
2. After purchase and installation of a 3-wire or 4-wire power supply cord having an equipment-grounding conductor and a grounding plug matching the wiring system of the location of installation, the plug **MUST** be plugged into an appropriate, copper wired receptacle that is properly installed and grounded in accordance with all local codes and ordinances. If in doubt, call a licensed electrician.
3. **DO NOT** modify the plug you've installed on this appliance. If it will not fit the outlet, have a proper outlet installed by a qualified electrician.

## Grounding Requirements - Electric Dryer (Canada)

For a grounded, cord-connected dryer:

1. The dryer **MUST** be grounded. In the event of a malfunction or breakdown, grounding will reduce the risk of electrical shock by a path of least resistance for electrical current.
2. Since your dryer is equipped with a power supply cord having an equipment-grounding conductor and a grounding plug, the plug must be plugged into an appropriate outlet that is properly installed and grounded in accordance with all local codes and ordinances. If in doubt, call a licensed electrician.
3. **DO NOT** modify the plug provided with this appliance. If it will not fit the outlet, have a proper outlet installed by a qualified electrician.

## Electrical Connection (Non-Canada) - 3-wire Cord



1 Neutral (center wire)



### NOTE

Two cords shown above with different terminal types.



### WARNING

#### ELECTRICAL SHOCK HAZARD

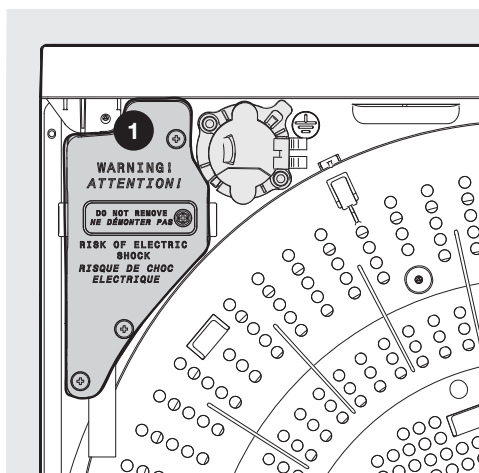
Failure to disconnect power source before servicing could result in personal injury or even death.

1. Turn off power supply to outlet.
2. Remove the three screws securing the terminal block access cover in the upper corner on the back of the dryer.



### NOTE

Terminal screws were shipped from the factory temporarily attached inside the access cover.



1 Terminal Block Access Cover

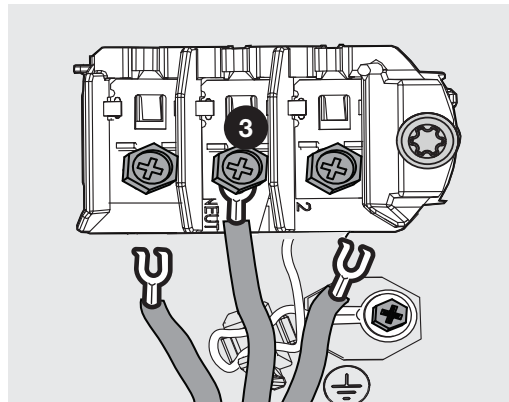
3. Using an UNPLUGGED, UL-approved, 30 amp. power cord, NEMA 10-30 type SRDT, attach the neutral (center wire) conductor to the SILVER colored center terminal on the terminal block. Tighten the screw securely.



### WARNING

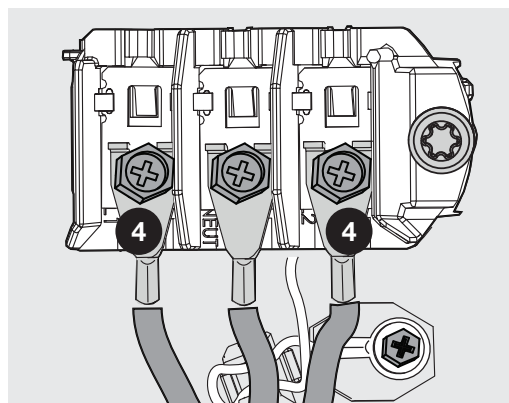
#### ELECTRICAL SHOCK HAZARD

DO NOT move internal ground in a 3-wire system.



3 Neutral Silver Terminal

4. Attach the remaining two power cord outer conductors to the outer, BRASS colored terminals on the terminal block. Tighten both screws securely.



4 Outer Brass Terminals



### WARNING

#### ELECTRICAL SHOCK HAZARD

Do not make a sharp bend or crimp wiring/conductor at connections.

# 10 Installation Instructions

5. Reinstall the terminal block access cover.



## WARNING

### ELECTRICAL SHOCK HAZARD

Do not operate dryer without terminal cover in place. A correctly installed terminal block access cover also acts a qualified strain relief for the power cord.



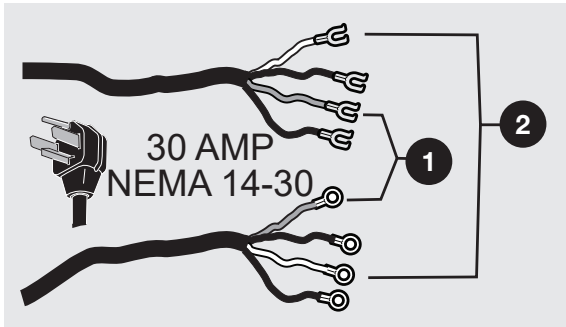
## IMPORTANT

If moving dryer from a 4-wire system and installing it now in a 3-wire system, move the internal ground wire from the center terminal back to the GREEN screw under the terminal block.

## Electrical Connection (Non-Canada) - 4-Wire Cord



4-wire receptacle  
(NEMA type 14-30R)



- 1 Ground GREEN wire
- 2 Neutral White wire



## NOTE

Two cords shown above with different terminal types.



## WARNING

### ELECTRICAL SHOCK HAZARD

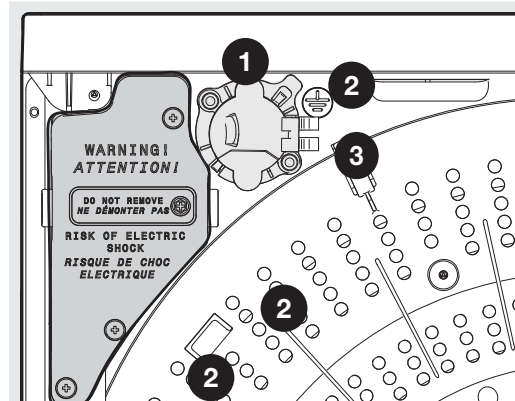
Failure to disconnect power source before servicing could result in personal injury or even death.

1. Turn off power supply to outlet.
2. Remove the three screws securing the terminal block access cover in the upper corner on the back of the dryer.



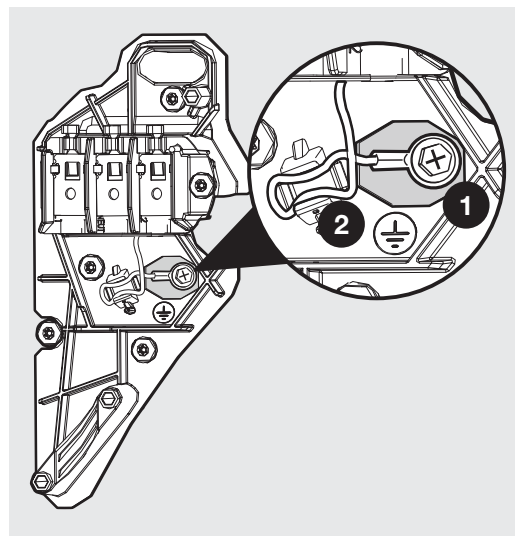
## NOTE

Terminal screws were shipped from the factory temporarily attached inside the access cover.



- 1 Terminal block access cover
- 2 Access cover screw
- 3 DO NOT REMOVE - screw next to this text must not be removed.

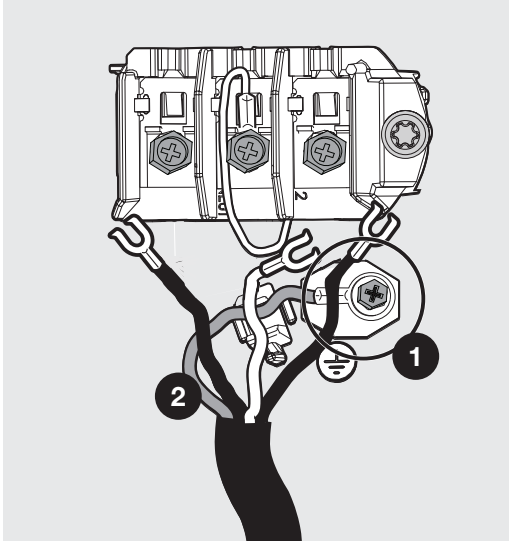
3. Disconnect the internal (WHITE) dryer harness wire from the (GREEN) ground screw next to the terminal block.



- 1 Internal ground (GREEN screw)
- 2 Internal dryer harness (WHITE wire)

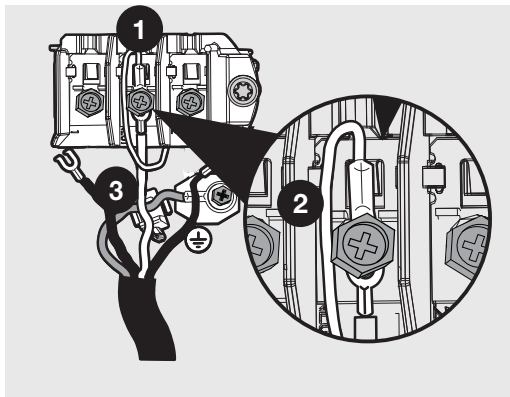


- Using an UNPLUGGED, UL-approved, 30 amp. power cord, NEMA 14-30 type ST or SRDT, attach the ground (GREEN) power cord wire to the cabinet with the ground (GREEN) screw. Tighten the screw securely.



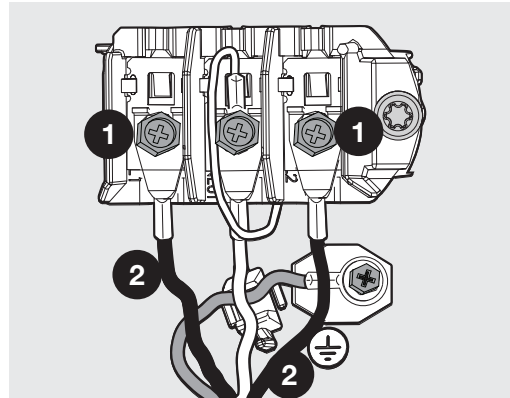
- 1 Ground GREEN screw
- 2 GREEN ground wire

- Move the internal (WHITE) dryer harness wire to the terminal block and attach it along with the neutral (WHITE) power cord wire conductor to the center, SILVER colored terminal on the terminal block. Tighten the screw securely.



- 1 Neutral silver terminal
- 2 Internal WHITE harness wire
- 3 WHITE neutral wire

- Attach the RED and BLACK power cord conductors to the outer, BRASS colored terminals on the terminal block. Tighten both screws securely.



- 1 Brass Terminal
- 2 BLACK or RED power wire

- Reinstall the terminal block access cover.



## WARNING

### ELECTRICAL SHOCK HAZARD

Do not make a sharp bend or crimp wiring/conductor at connections.



## WARNING

### ELECTRICAL SHOCK HAZARD

Do not operate dryer without terminal cover in place. A correctly installed terminal block cover also acts a qualified strain relief for the power cord.

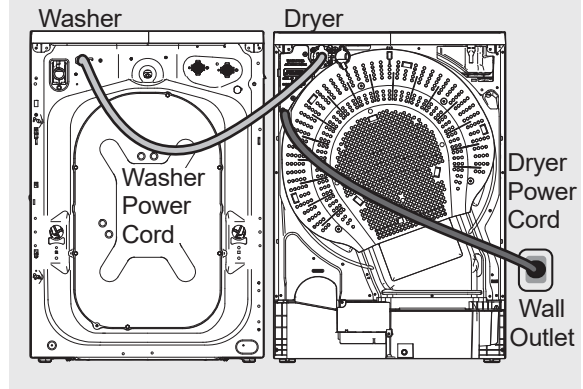
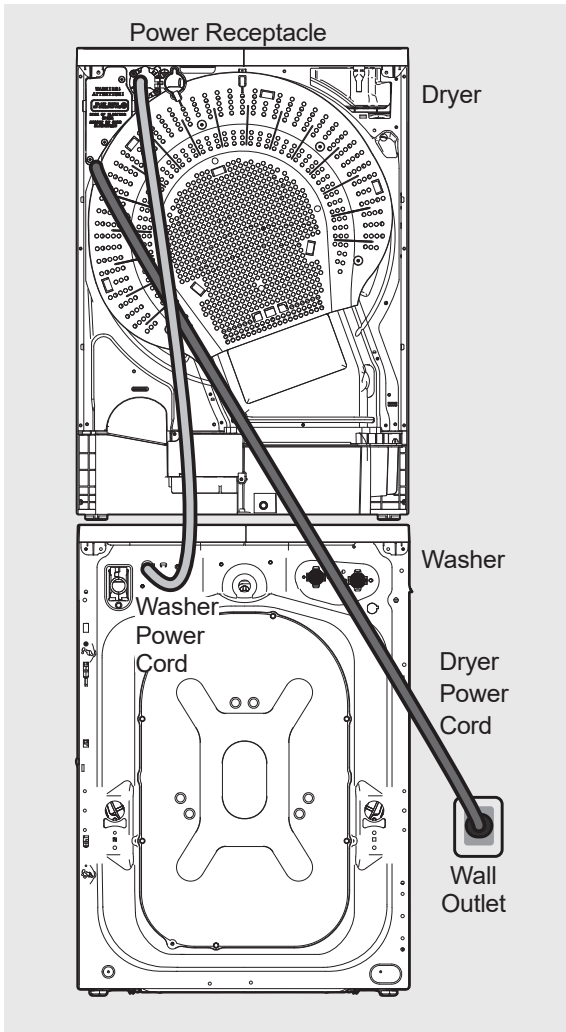


# 12 Installation Instructions



## NOTE

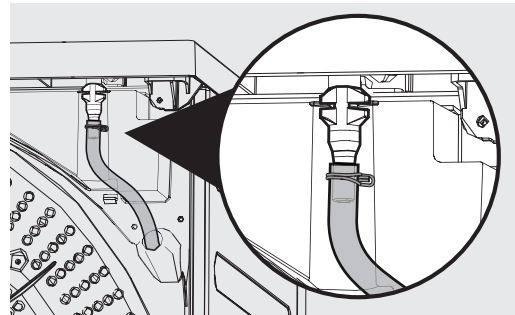
If you have an Electrolux compact dryer model number ELFE4222AW or ELFE422CAW, you may choose to power your Electrolux compact washer through it as shown. See illustrations.



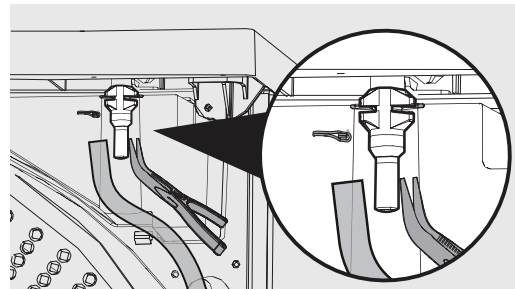
## Direct Drain Kit (on some models)

If your model included a direct drain kit, you may follow the instructions below to install it on your dryer for convenient drainage of your dryer's condensed water.

1. Locate the red tubing and plastic fitting on the back of the dryer.



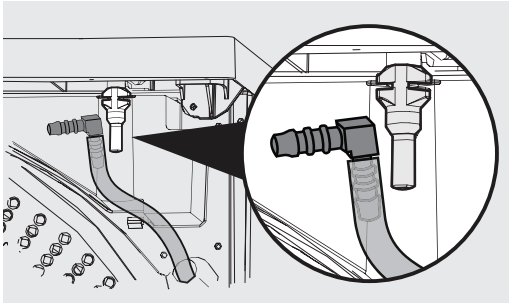
2. With a pair of pliers, release the hose clamp and remove the tubing from the plastic fitting.



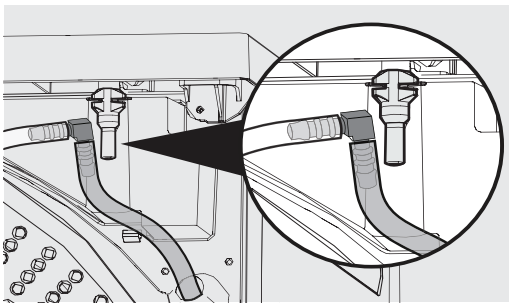
## WARNING

NOT A GENERAL USE RECEPTACLE! Only for use with compatible Electrolux washer models listed in this Use & Care Guide. Keep the outlet closed if a compatible Electrolux washer plug is not connected to the dryer.

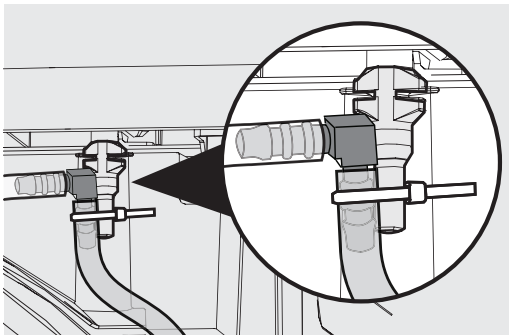
- Retrieve the 90 degree plastic elbow from the direct drain installation kit that came with your dryer and install it onto the red tubing.



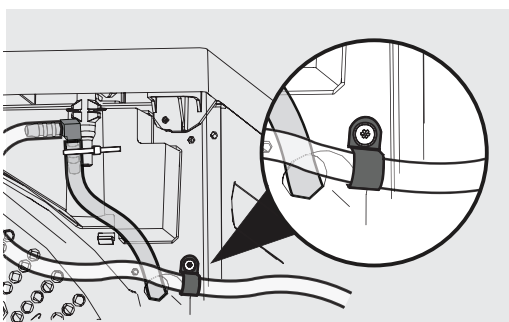
- Retrieve the clear tubing that came in the kit and install it also onto the elbow.



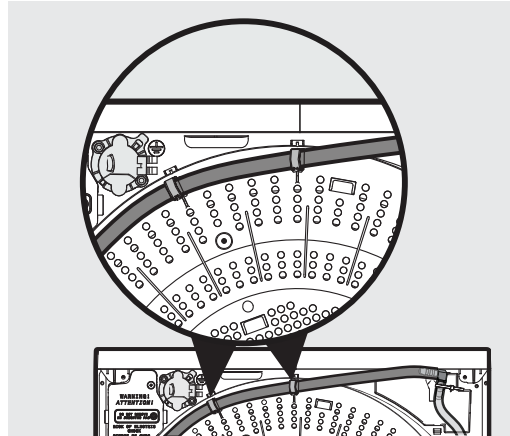
- With the plastic cable tie that came with the kit, secure the elbow and tubes to the plastic fitting.



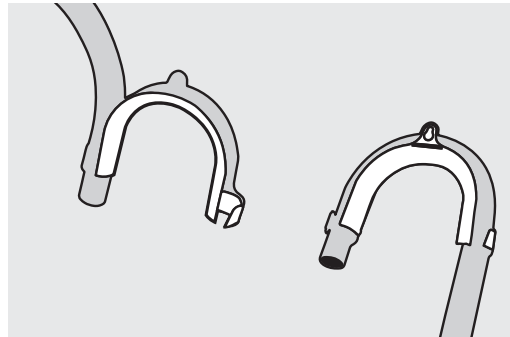
- To route the drain tube to the left of the dryer, secure the tube with the "P" clamp from the kit to the back of the dryer with the cabinet screw shown below.



- To route the drain tube to the right of the dryer, route the tube across the back of the dryer and snap it into the "C" clips shown as below.



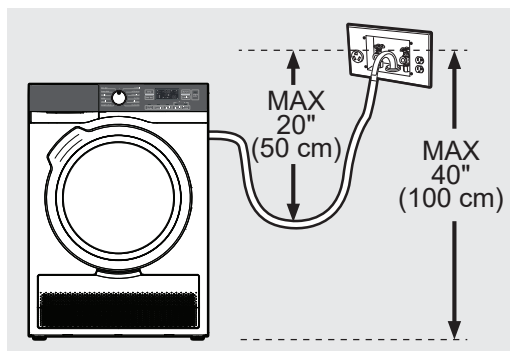
- Install the hose hanger from the kit onto the end of the hose and insert in drain.



## ▶ IMPORTANT

Follow these guidelines for proper drain hose installation:

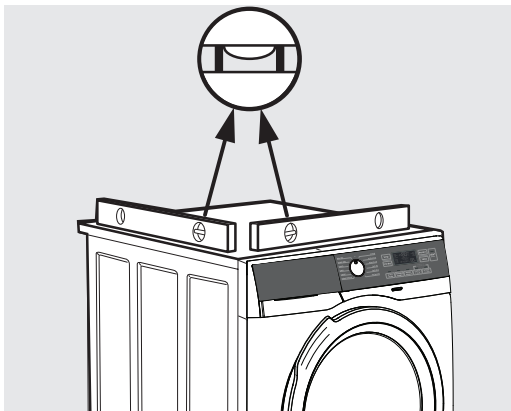
- The distance from the bottom of the drain tube sag to the top of highest part of drain tube should be no more than 20" (50 cm).
- Drain tube may need to be shortened with scissors if sag is greater than allowed.
- The drain height location should be no more than 40" (100 cm) above the bottom of the dryer feet.



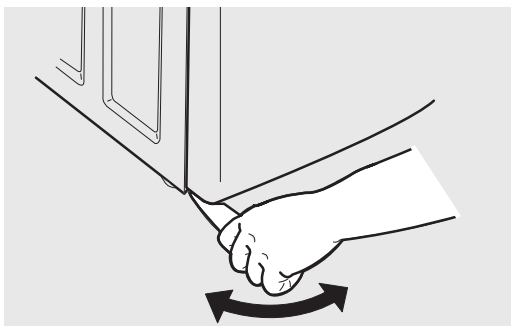
# 14 Installation Instructions

## General Installation

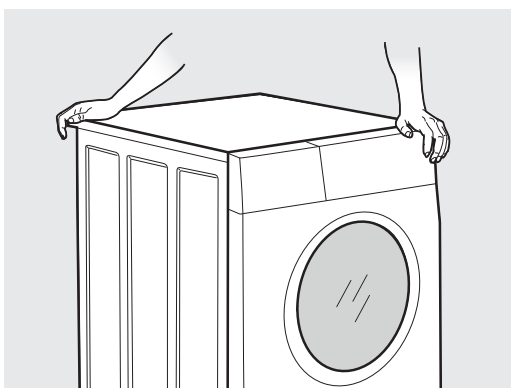
1. Use a carpenter's level to level your dryer front-to-back and side-to-side.



2. Use adjustable pliers or universal appliance wrench (See Accessories) to adjust the leveling legs so the dryer is level front-to-rear and side-to-side, and stable corner-to-corner.



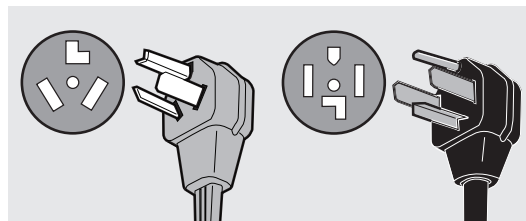
3. Press down on alternate corners and sides and feel for the slightest movement. Adjust the appropriate leg(s) so the dryer sits solidly on the floor on ALL four legs. Keep the leveling leg extension at a minimum for best performance of the dryer.



## IMPORTANT

Be sure the power is off at a circuit breaker/ fuse box before plugging the power cord into an outlet.

4. Plug the power cord into a grounded outlet.

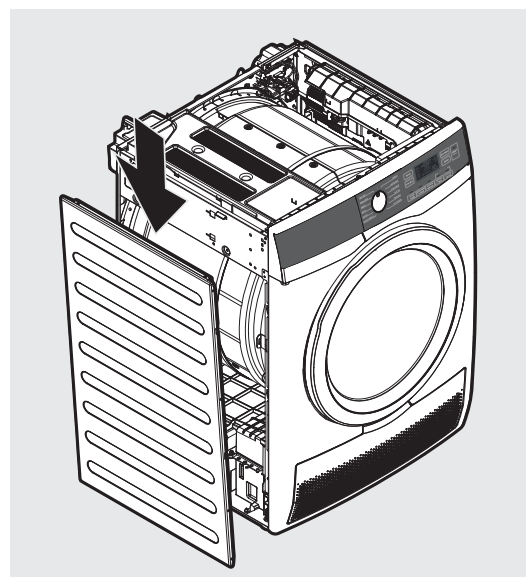


5. Turn on the power at the circuit breaker/ fuse box.
6. Read the Use & Care Guide provided with the dryer. It contains valuable and helpful information that will save you time and money.
7. If you have any questions during initial operation, please review the "Avoid Service Checklist" in your Use & Care Guide before calling for service.
8. Place these instructions in a location near the dryer for future reference.

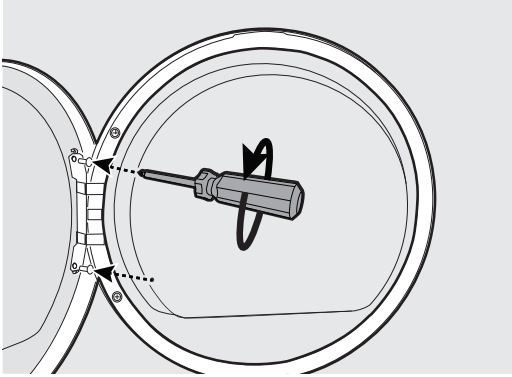


## NOTE

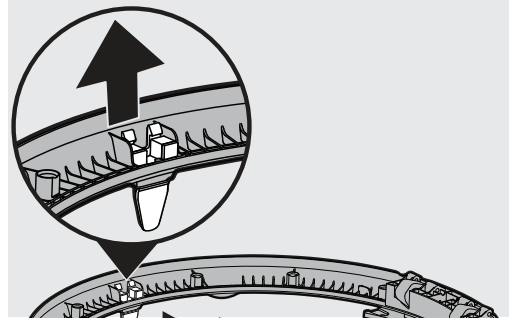
A wiring diagram is located next to the water container behind the left cabinet panel.



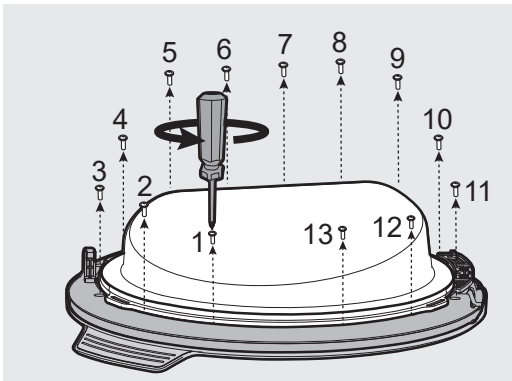
1. Locate a flat work surface, such as the top of the dryer or the floor near the dryer, and protect it with a soft cloth or towel.
2. Open the dryer door and remove the two hinge screws. Remove lower screw first, then upper screw.



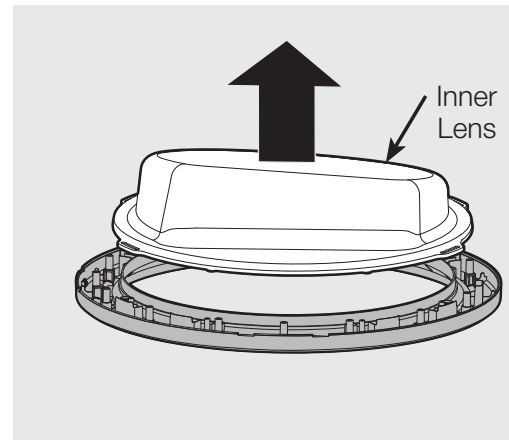
6. Release the door switch striker by pulling on the two snap hooks located on the rear side of the inner door ring. Install the door switch striker on the opposite location (180 degrees from its original position in the inner door ring). Set the inner door ring aside.



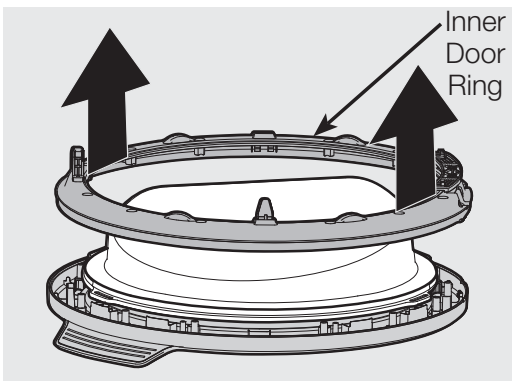
3. Gently place dryer door face down on flat, covered work surface.
4. Locate the 13 screws on the inner door ring. Remove and save these 13 screws.



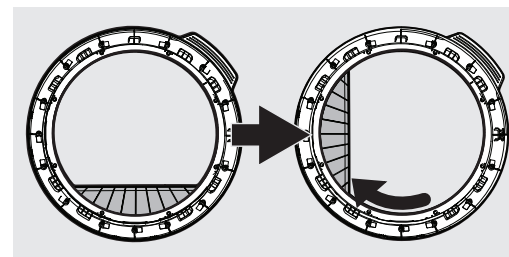
7. Lift the inner lens and set it aside.



5. Separate inner door ring from the rest of the door.

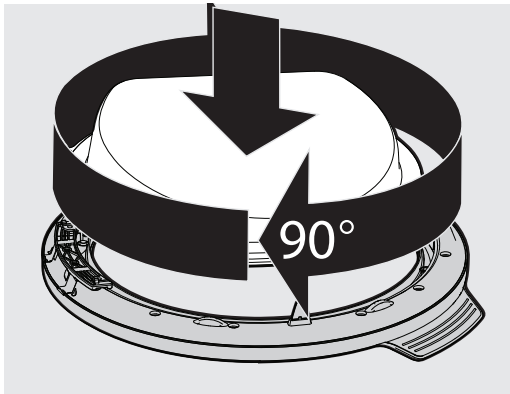


8. Lift and rotate the semi-circular trim piece clockwise 90° from its original position and place onto the available plastic alignment features.

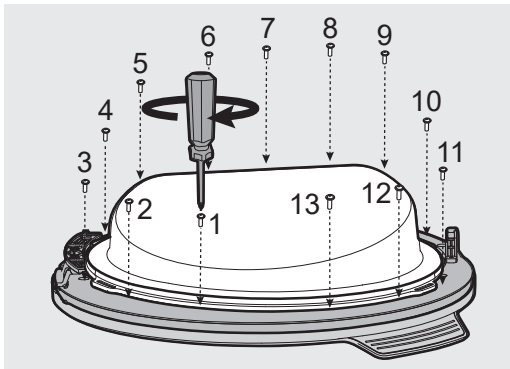


# 16 Reversing Door

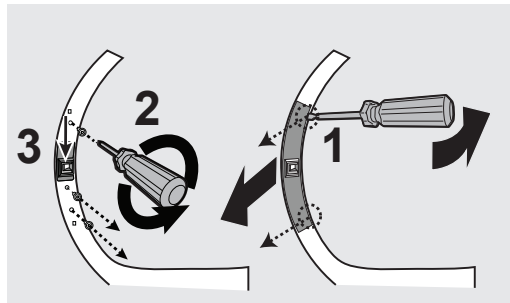
9. Rotate inner lens clockwise 90° from its original position and place back into door assembly.



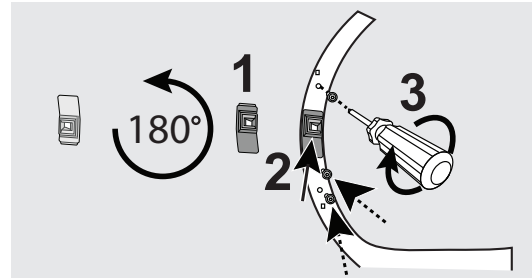
10. Rotate the inner door ring counterclockwise 90° from its original position and reattach with 13 screws removed earlier.



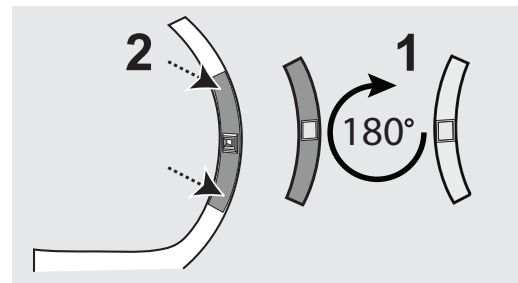
11. Gently pry the plastic latch cover from the front panel and set it aside. Remove the 3 screws securing the door latch and release the latch.



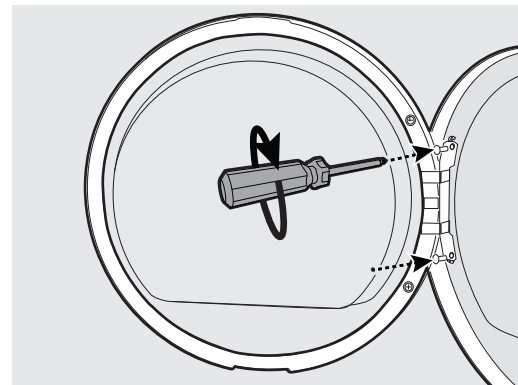
12. Rotate the latch 180° and reinstall it in the opposite location with the 3 screws removed in previous step.



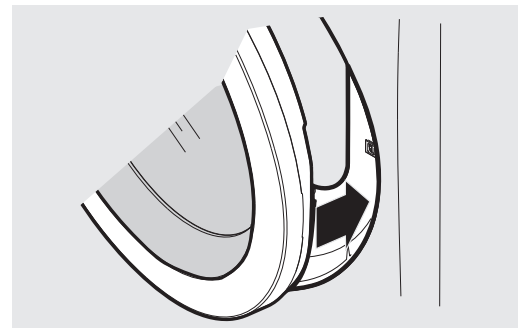
13. Rotate the plastic latch cover 180° and snap it in place around the door latch.



14. While supporting the door, install the 2 hinge mounting screws removed in first step. Attach the upper screw first and then the lower one.



15. Close the door and test operation of hinge, strike and latch.



## DIRECT DRAIN KIT

P/N DK11

Depending on the model you purchased, a direct draining kit for your condensing dryer's water collection system may have been included in the initial purchase of your dryer. If your model did not include a direct draining kit, you may order one.

## DRYER STACKING KIT

P/N STACKIT24

Depending on the model you purchased, a kit for stacking this dryer on top of matching washer may have been included in the initial purchase of your dryer. If your model did not include a stacking kit or you desire another stacking kit, you may order one.

## UNIVERSAL APPLIANCE WRENCH

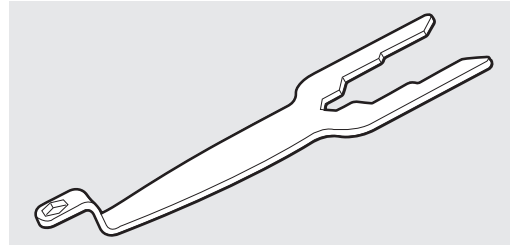
P/N 137019200

A UNIVERSAL APPLIANCE WRENCH is available to aid in dryer/washer feet adjustment.



## CAUTION

Failure to use accessories manufactured by (or approved by) the manufacturer could result in personal injury, property damage or damage to the dryer.



Universal Appliance Wrench

## Replacement Parts:

If replacement parts are needed for your washer, contact the source where you purchased your washer or refer to your Use & Care Guide for more information.



## WARNING

### ELECTRICAL SHOCK HAZARD

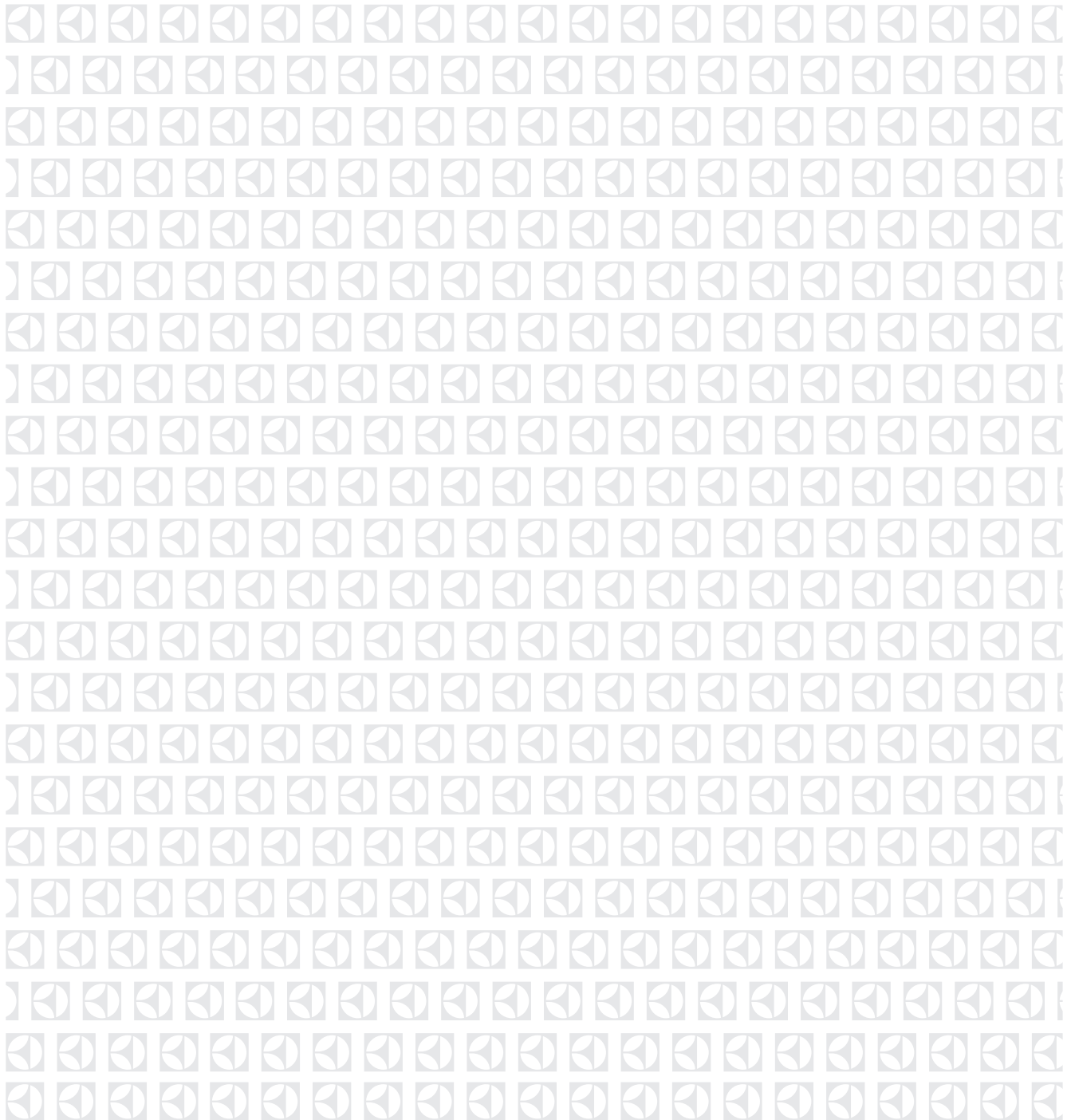
Label all wires prior to disconnection when servicing controls. Wiring errors can cause improper and dangerous operation. Verify proper operation after servicing.

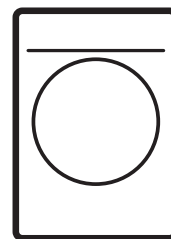






**electrolux.com/shop**





---

EN FRONT LOAD DRYER

**FR** SÉCHEUSE À CHARGEMENT FRONTAL

ES SECADORA DE CARGA FRONTAL

---

INSTALLATION INSTRUCTIONS

INSTRUCTIONS D'INSTALLATION

INSTRUCCIONES DE INSTALACIÓN



## 2 Importantes consignes de sécurité



### AVERTISSEMENT

Veillez lire toutes les instructions avant d'utiliser cette sècheuse.

### Sachez reconnaître ces mots, icônes et étiquettes de sécurité

Les éléments de sécurité présentés dans ce guide portent les mentions AVERTISSEMENT ou ATTENTION selon le type de risque, tel que décrit ci-dessous :

#### Définitions

⚠️ Voici le symbole d'alerte de sécurité. Il sert à vous avertir de risques potentiels de blessures. Respectez toutes les consignes de sécurité qui suivent ce symbole afin d'éviter les blessures ou la mort.



### DANGER

La mention DANGER indique un danger imminent qui causera la mort ou des blessures graves s'il n'est pas évité.



### AVERTISSEMENT

La mention AVERTISSEMENT indique une situation potentiellement dangereuse qui, si elle n'est pas évitée, peut entraîner des blessures graves ou la mort.



### ATTENTION

La mention ATTENTION indique une situation potentiellement dangereuse qui, si elle n'est pas évitée, risque de causer des blessures mineures ou moyennement graves.



### IMPORTANT

Cette mention indique des renseignements importants relatifs à l'installation, au fonctionnement ou à l'entretien. Toutefois, ceux-ci n'impliquent aucune notion de danger.

## Table des matières

Importantes consignes de sécurité .....	2
Exigences d'installation.....	4
Instructions d'installation.....	8
Inversion de la porte .....	15
Accessoires .....	17

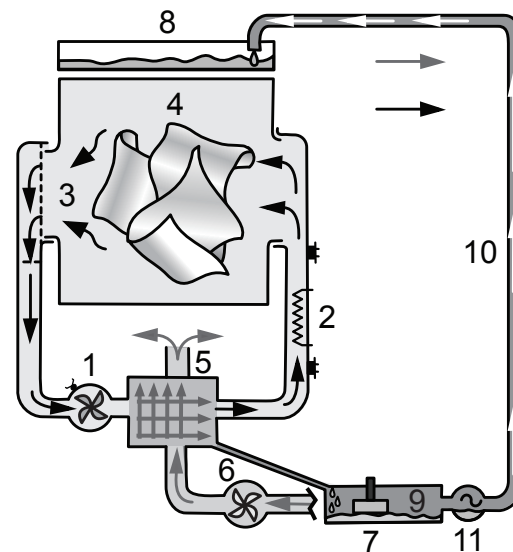
Nous vous remercions d'avoir choisi une sècheuse compacte sans conduit d'évacuation Electrolux. Cette sècheuse fonctionne selon un principe de séchage différent de celui des sècheuses traditionnelles à conduit d'évacuation. Votre nouvelle sècheuse à condensation sans conduit d'évacuation qui NE REQUIERT PAS d'évacuation de l'air du séchage vers l'extérieur.

Une sècheuse à condensation fonctionne à travers un circuit en boucle fermée. L'air de séchage est chauffé par un élément chauffant interne et passe ensuite sur et à travers vos vêtements. L'air chargé d'humidité passe par un filtre à peluche, puis par un échangeur thermique air-air qui fonctionne comme un condenseur. L'air chaud et humide est refroidi par un ventilateur secondaire distinct qui utilise l'air ambiant. Lorsque l'air du traitement se refroidit, il libère de l'humidité qui est recueillie dans un bassin de récupération au bas de l'appareil. L'eau peut être pompée dans le drain grâce à la trousse fournie ou directement dans un réservoir qui doit être vidé après chaque cycle de séchage.



### IMPORTANT

Votre nouvelle sècheuse à condensation sans conduit d'évacuation qui **NE REQUIERT PAS** l'évacuation de l'air du séchage vers l'extérieur.



- |  |   |
|--|---|
| 1. Circuit primaire – ventilateur d'air de séchage | 6. Circuit secondaire – ventilateur d'air ambiant |
| 2. Élément chauffant                               | 7. Bassin de récupération d'eau de vidange        |
| 3. Filtre à peluche                                | 8. Réservoir d'eau                                |
| 4. Brassée de lavage                               | 9. Interrupteur de pompe/flotteur                 |
| 5. Échangeur thermique                             | 10. Tube de vidange d'eau                         |
|  | 11. Pompe à eau                                   |



## AVERTISSEMENT

Pour votre sécurité, il est impératif de suivre les indications fournies dans ce manuel afin de minimiser les risques d'incendie ou d'explosion et pour éviter les dommages matériels, les blessures ou la mort. Ne rangez pas et n'utilisez pas de l'essence ou d'autres vapeurs et liquides inflammables à proximité de cet électroménager ou de tout autre électroménager.



## AVERTISSEMENT RISQUE D'INCENDIE

Lisez toutes les consignes de sécurité suivantes avant d'installer et d'utiliser l'appareil.

- Recyclez le carton et jetez les sacs en plastique après avoir déballé la sècheuse. Les enfants pourraient les utiliser pour jouer. Les boîtes de carton recouvertes de tapis, de couvertures ou de feuilles de plastique peuvent se transformer en chambres hermétiques et causer la suffocation. Placez tous les matériaux dans une poubelle ou assurez-vous que les enfants n'y ont pas accès.
- L'installation et l'entretien de la sècheuse doivent être effectués par un installateur qualifié ou par une entreprise de réparation.
- Installez la sècheuse conformément aux instructions du fabricant et aux codes locaux.
- L'alimentation électrique de la sècheuse doit être conforme aux réglementations locales, aux dispositions canadiennes sur l'électricité CSA C22.1 (dernières révisions) ou au code électrique national (National Electrical Code) ANSI/NFPA 70 (pour les États-Unis).
- La sècheuse est conçue pour un USAGE DOMESTIQUE seulement en vertu des réglementations ANSI Z21.5.1/CSA 7.1 ou UL 2158 - CAN/CSA C22.2 n° 112 (dernières éditions). Cette sècheuse n'est pas recommandée pour les applications commerciales, comme les restaurants, les salons de beauté, etc.
- **NE PAS** superposer une sècheuse sur une laveuse déjà installée sur le socle. **NE PAS** superposer la sècheuse sur une autre sècheuse. **NE PAS** superposer une laveuse sur la sècheuse. **NE PAS** superposer une laveuse sur une autre laveuse. **NE PAS** superposer la sècheuse sur une laveuse sans utiliser une trousse de superposition approuvée par le fabricant pour votre modèle correctement installée.

Les instructions du guide et la documentation fournies avec cette sècheuse ne sont pas conçues pour couvrir tous les problèmes et toutes les situations qui pourraient se présenter. Adoptez de bonnes pratiques de sécurité et prenez les précautions qui s'imposent lors de l'installation, de l'utilisation et de l'entretien de tout appareil électroménager.



## ATTENTION

### RISQUE DE POIDS EXCESSIF

Pour éviter les blessures au dos et ailleurs, faites-vous aider par au moins une autre personne pour déplacer ou soulever la sècheuse.



## IMPORTANT

### NE PAS INSTALLER VOTRE SÈCHEUSE :

1. Dans une zone exposée à de l'eau qui s'égoutte ou aux intempéries.
2. Sur du tapis. Le plancher DOIT être solide, avec une dénivellation maximum de 2,5 cm (1 po).



## AVERTISSEMENT

### RISQUE D'EXPLOSION

N'installez pas la sècheuse dans un endroit où de l'essence ou d'autres matières inflammables sont gardées ou entreposées. Si la sècheuse est installée dans un garage, elle doit se trouver à une distance d'au moins 45,7 cm (18 po) au-dessus du sol. Sinon, il pourrait y avoir danger de mort, d'explosion, d'incendie ou de brûlure.

**CONSERVEZ CE GUIDE D'UTILISATION POUR  
CONSULTATION ULTÉRIEURE.**

# 4 Exigences d'installation

## Veillez lire et conserver ce guide

Nous vous remercions d'avoir choisi Electrolux, la marque prestigieuse pour les appareils électroménagers. Ces instructions d'installation font partie de notre engagement à satisfaire les clients et à leur fournir un produit de qualité pendant toute la durée de vie de leur nouvel appareil.

## Des questions ?

Assistance téléphonique sans frais et aide en ligne :

**États-Unis :** 1-877-4ELECTROLUX  
(1-877-435-3287)

[www.electroluxappliances.com](http://www.electroluxappliances.com)

**Canada :** 1-800-265-8352  
[www.electroluxappliances.ca](http://www.electroluxappliances.ca)



## Liste de vérification pour l'installation

### Déballage

- La pellicule de plastique (à l'intérieur du tambour) est retirée et jetée. Voir aussi l'image ci-dessous.

### Nivellement

- La sècheuse est nivelée d'un côté à l'autre et de l'avant vers l'arrière
- Les quatre coins de l'appareil reposent fermement sur le plancher

### Alimentation électrique de 208 V/240 V

- Cordon homologué NEMA 10-30 ou 14-30 avec toutes les vis serrées sur le bloc de branchement
- Couvercle d'accès aux bornes/décharge de traction en place avant la première utilisation

**Remarque :** Une sècheuse fonctionnant avec une alimentation de 208 V aura des durées de séchage plus longues qu'avec une alimentation de 240 V.

### Inversion de la porte

- Suivez les instructions détaillées de ce guide
- Vérifiez que la charnière et le loquet fonctionnent bien

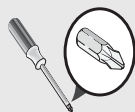
### Alimentation électrique

- L'alimentation domestique est sous tension
- La sècheuse est branchée

### Vérifications finales

- Instructions d'installation et guide d'utilisation et d'entretien lus au complet
- La porte s'enclenche et le tambour tourne quand le cycle commence
- Carte d'enregistrement envoyée

## Outils et matériel requis pour l'installation :



Tournevis  
Phillips

ET



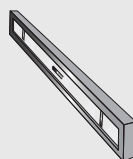
Clé  
universelle  
(facultatif)

OU



Pincettes à  
prise  
multiple

ET



Niveau de menuisier

ET



Ensemble de  
cordon d'alimentation  
de 240 V à 3 ou 4 fils

## Exigences en matière d'électricité pour les sècheuses électriques



### REMARQUE

En raison de tensions potentiellement instables, il n'est pas recommandé d'utiliser cette sècheuse avec des sources d'alimentation comme des génératrices au gaz, à panneaux solaires, éoliennes ou toute autre source que les services publics locaux.

**CIRCUIT** – Circuit de dérivation de 30 A protégé par disjoncteur ou fusible à action retardée de 30 A. Utilisez des circuits à fusibles distincts pour la laveuse et la sècheuse. **NE FAITES PAS** fonctionner une laveuse et une sècheuse sur le même circuit.

**ALIMENTATION ÉLECTRIQUE** – Courant alternatif de 208-240 V à 3 ou 4 fils, 60 Hz, monophasé.



### IMPORTANT

Cette sècheuse comporte une mise à la terre interne neutre, à moins qu'elle ait été fabriquée pour être vendue au Canada.

Seul un cordon à 4 fils peut être utilisé lorsque l'appareil est installé à un endroit où la mise à la terre par le fil neutre est interdite. La mise à la terre par le fil neutre est interdite pour : (1) les nouvelles installations de circuit, (2) les maisons mobiles, (3) les véhicules récréatifs et (4) les endroits où les codes locaux n'autorisent pas la mise à la terre par le fil neutre.

**PRISE DE COURANT** – Prise NEMA 10-30R ou NEMA 14-30R disposée de façon à ce que le cordon soit accessible lorsque la sècheuse se trouve à sa position d'installation.

**BRANCHEMENT DE MISE À LA TERRE** – Reportez-vous à « Exigences en matière de mise à la terre » dans la section sur l'installation électrique.

### TROUSSE DE CORDON D'ALIMENTATION À 4 FILS (non comprise)



Prise à 4 fils  
(type NEMA 14-30R)

La sècheuse DOIT utiliser un cordon d'alimentation à 4 fils NEMA 14-30 de type SRDT ou ST (selon les besoins) d'une capacité nominale d'au moins 240 V, 30 A, avec 4 connecteurs à cosses à fourche ouverte et extrémités relevées ou cosses en boucle fermée et identifiées pour utilisation avec une sècheuse. Pour des instructions sur le branchement d'un câble à 4 fils, reportez-vous à la section BRANCHEMENTS ÉLECTRIQUES POUR UN SYSTÈME À 4 FILS.



### REMARQUE

Les sècheuses fabriquées pour être vendues au Canada sont munies d'un cordon d'alimentation à 4 fils installé en usine (NEMA 14-30).

### TROUSSE DE CORDON D'ALIMENTATION À 3 FILS (non comprise)



Prise à 3 fils  
(type NEMA 10-30R)

La sècheuse DOIT utiliser un cordon d'alimentation à 3 fils NEMA 10-30 de type SRDT d'une capacité nominale d'au moins 240 V, 30 A, avec 3 connecteurs à cosses à fourche ouverte et extrémités relevées ou cosses en boucle fermée et identifiées pour utilisation avec une sècheuse. Pour des instructions sur le branchement d'un câble à 3 fils, reportez-vous à la section BRANCHEMENTS ÉLECTRIQUES POUR UN SYSTÈME À 3 FILS.



### AVERTISSEMENT

Une mauvaise mise à la terre de la sècheuse peut causer des blessures graves ou la mort. Vérifiez auprès d'un électricien qualifié si vous avez des doutes quant à la mise à la terre de l'appareil.

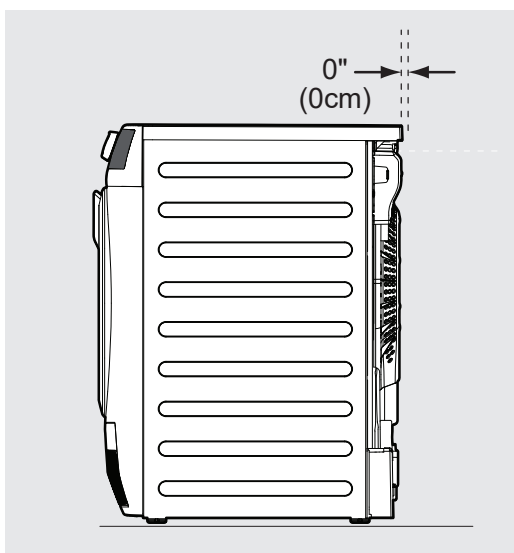
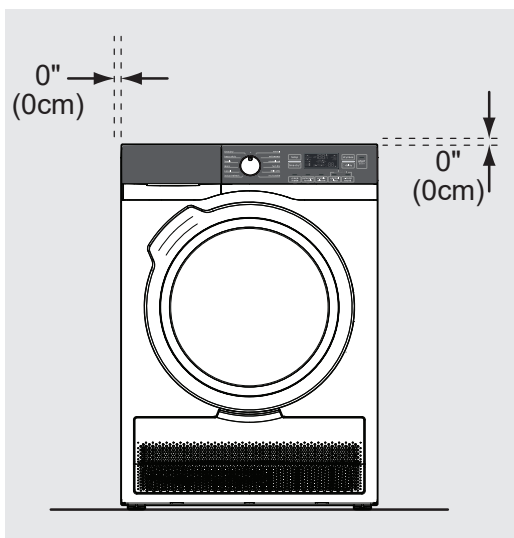


## 6 Exigences d'installation

### Installation pour maison mobile ou préfabriquée

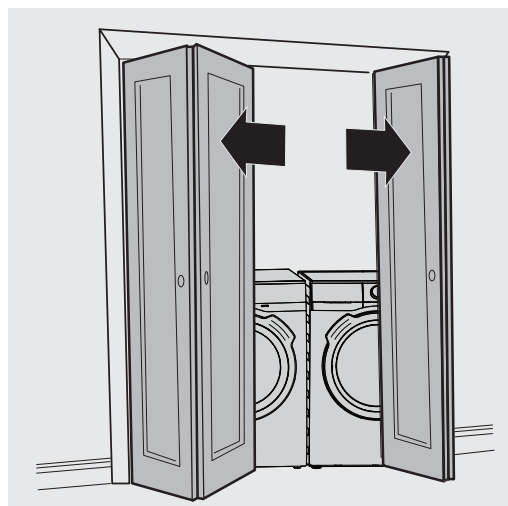
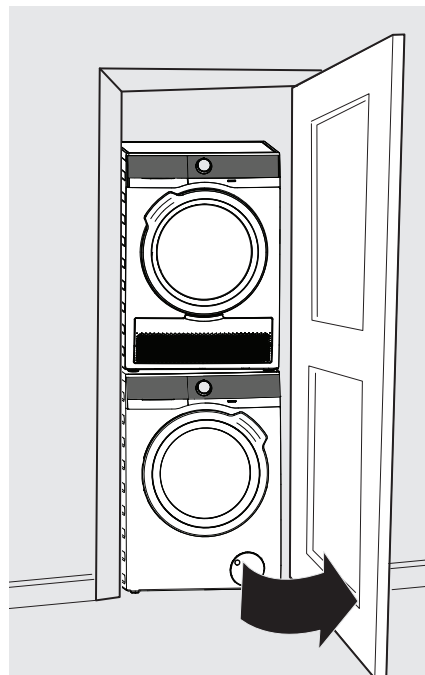
L'installation DOIT ÊTRE conforme aux normes courantes de construction et de sécurité du Canada (CAN/CSAZ240 MH) ou des États-Unis (Title 24 CFR Part 32-80 (anciennement Federal Standard for Mobile Home Construction and Safety, Title 24, HUD Part 280)).

### Exigences de dégagement



### Installation dans un placard

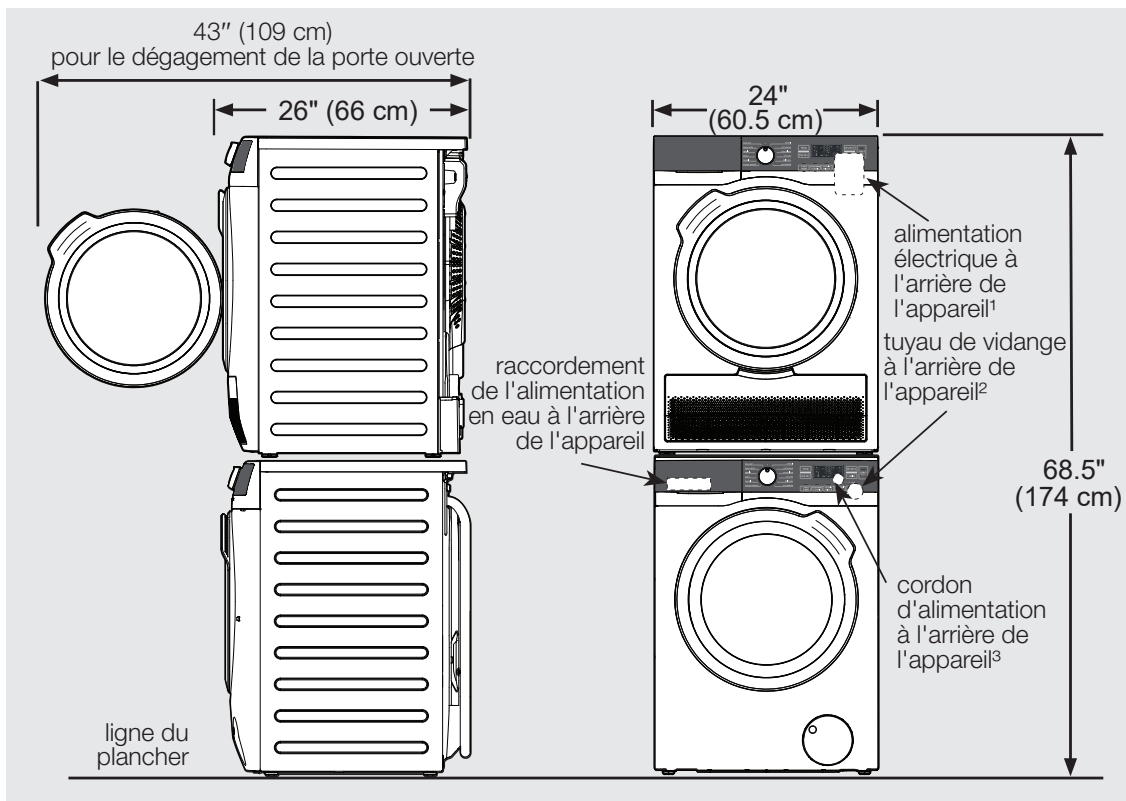
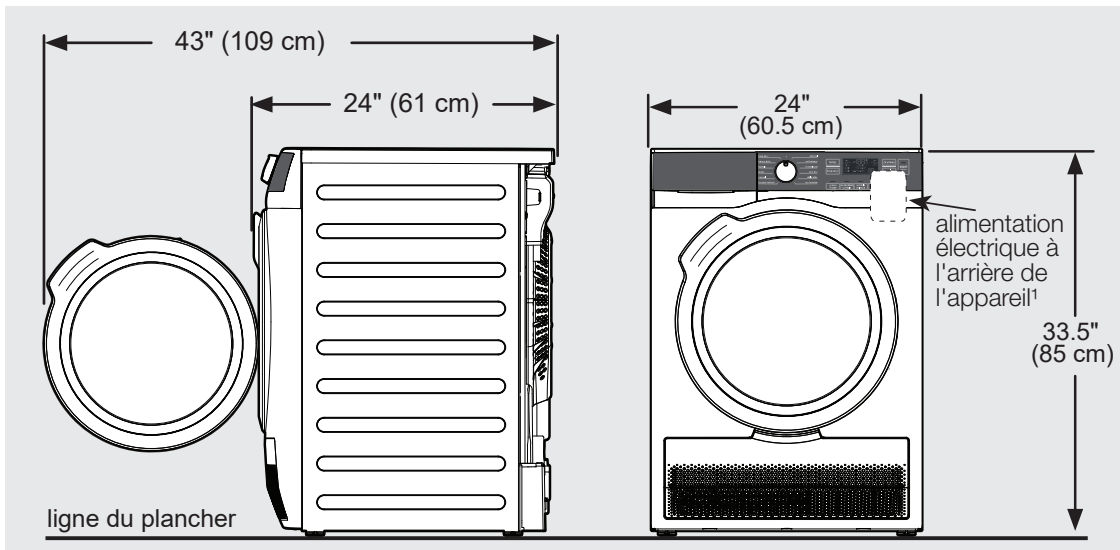
Si vous installez la sécheuse dans un placard, la porte du placard doit rester ouverte pendant que la sécheuse fonctionne pour permettre une bonne circulation de l'air. Consultez votre guide d'utilisation et d'entretien pour de plus amples renseignements.



#### DÉGAGEMENTS MINIMUM POUR L'INSTALLATION

	CÔTÉS	ARRIÈRE	DESSUS	DEVANT
Alcôve	0 po (0 cm)	0 po (0 cm)	0 po (0 cm)	s.o.
Sous le comptoir	0 po (0 cm)	0 po (0 cm)	0 po (0 cm)	s.o.

## Dimensions de la sécheuse



<sup>1</sup>Le cordon d'alimentation de la sécheuse canadienne mesure environ 150 cm (59 po).

<sup>2</sup>Le tuyau de vidange de la laveuse mesure environ 140 cm (55 po).

<sup>3</sup>Le cordon d'alimentation de la laveuse mesure environ 150 cm (59 po).

# 8 Instructions d'installation

## Installation de l'alimentation électrique

Voici les exigences précises pour l'installation correcte et sécuritaire de l'alimentation électrique de votre sècheuse. Le non-respect de ces instructions peut entraîner un risque d'électrocution ou d'incendie.



### AVERTISSEMENT

#### RISQUE D'ÉLECTROCUTION

- L'appareil DOIT être correctement mis à la terre. Il y a des risques d'électrocution si la sècheuse n'est pas correctement mise à la terre. Suivez les instructions de ce guide pour une mise à la terre adéquate.
- N'utilisez pas de rallonge électrique avec cette sècheuse. Certaines rallonges ne sont pas conçues pour résister au courant électrique que cette sècheuse utilise ; elles peuvent fondre, ce qui peut entraîner un risque d'électrocution ou d'incendie. Installez la sècheuse à la portée du cordon d'alimentation qui sera acheté, en prévoyant un peu de jeu dans le cordon. Reportez-vous aux exigences de préinstallation de ce guide pour savoir quel cordon d'alimentation vous procurer.



### AVERTISSEMENT

#### RISQUE D'ÉLECTROCUTION

- Un réducteur de tension homologué U.L. doit être installé sur le cordon d'alimentation. Si le réducteur de tension n'est pas fixé, le cordon peut être tiré hors de la sècheuse et coupé lorsqu'il bouge, ce qui peut entraîner un choc électrique.
- N'utilisez pas de prise à fils en aluminium avec un cordon d'alimentation et une fiche à fils de cuivre (ou vice-versa). Une réaction chimique se produit entre le cuivre et l'aluminium, ce qui peut provoquer un court-circuit. Le câblage et la prise correctes sont un cordon d'alimentation à fils de cuivre avec une prise à fils de cuivre.



### REMARQUE

La sècheuse électrique a été conçue et homologuée pour fonctionner avec une alimentation de 240 V ou de 208 V. Cependant, avec une alimentation électrique de 208 V, les durées de séchage seront d'environ 20 % plus longues qu'avec une alimentation de 240 V. Cela est normal et prévu et s'applique à tous les cycles de séchage.



### AVERTISSEMENT

#### RISQUE D'ÉLECTROCUTION

Un branchement incorrect du fil de terre peut engendrer un risque d'électrocution. Vérifiez auprès d'un électricien qualifié si vous avez des doutes quant à la mise à la terre de l'appareil.

## Exigences en matière de mise à la terre – sècheuse électrique (É.-U.)

Pour une sècheuse branchée avec un cordon mis à la terre :

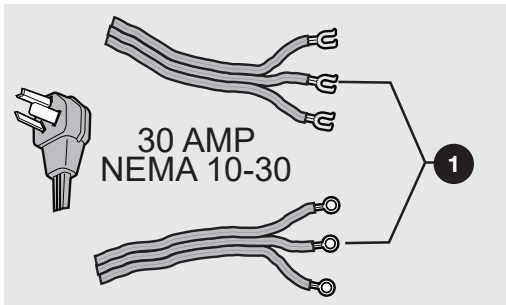
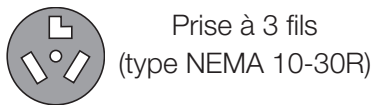
1. La sècheuse DOIT être mise à la terre. En cas de panne ou de défaillance, la mise à la terre réduit le risque d'électrocution en fournissant une voie de moindre résistance au courant électrique.
2. Après l'achat et l'installation d'un cordon d'alimentation à 3 ou 4 fils avec mise à la terre et d'une fiche avec mise à la terre correspondant à votre câblage, la fiche DOIT être branchée dans une prise à fils de cuivre appropriée, correctement installée et mise à la terre dans le respect de tous les codes et règlements locaux. En cas de doute, adressez-vous à un électricien certifié.
3. NE MODIFIEZ PAS la fiche que vous avez installée sur cet appareil. Si elle ne convient pas à la prise murale, faites installer une prise adéquate par un électricien qualifié.

## Exigences en matière de mise à la terre – sècheuse électrique (Canada)

Pour une sècheuse branchée par cordon avec mise à la terre :

1. La sècheuse DOIT être mise à la terre. En cas de panne ou de défaillance, la mise à la terre réduit le risque d'électrocution en fournissant une voie de moindre résistance au courant électrique.
2. Comme votre sècheuse a un cordon d'alimentation avec fil de mise à la terre et prise de terre, la fiche doit être branchée dans une prise appropriée, correctement installée et mise à la terre dans le respect de tous les codes et règlements locaux. En cas de doute, adressez-vous à un électricien certifié.
3. NE MODIFIEZ PAS la fiche fournie avec cet appareil. Si elle ne convient pas à la prise murale, faites installer une prise adéquate par un électricien qualifié.

## Branchement électrique (ailleurs qu'au Canada) – câble à 3 fils



1 Neutre (fil central)



### REMARQUE

Les deux cordons sont illustrés ci-dessus avec différents types de bornes.



### AVERTISSEMENT

#### RISQUE D'ÉLECTROCUTION

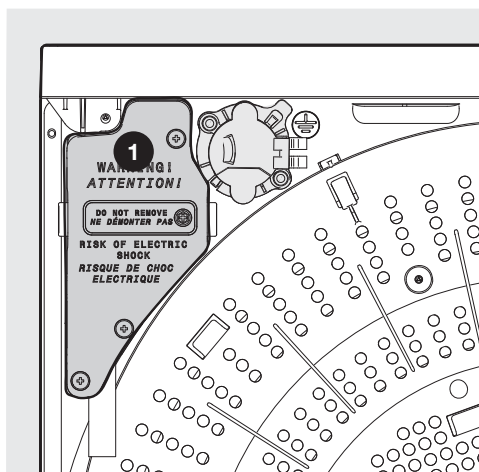
Si vous ne débranchez pas la source d'alimentation avant de procéder à une intervention, il pourrait en résulter des blessures graves ou même la mort.

1. Coupez le courant électrique à la prise.



### REMARQUE

Les vis des bornes sont expédiées de l'usine temporairement fixées à l'intérieur du couvercle d'accès.



1 Couvercle d'accès au bloc de branchement

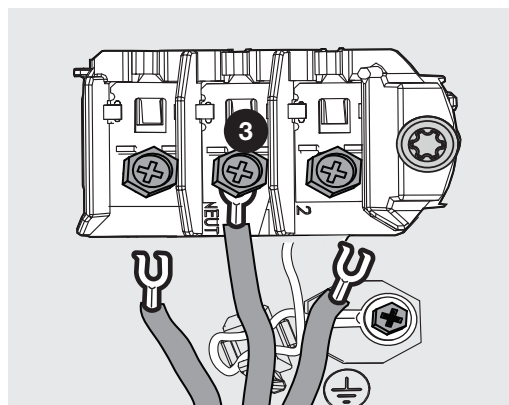
2. Retirez les trois vis fixant le couvercle d'accès au bloc de branchement dans le coin supérieur à l'arrière de la sècheuse.
3. En vous servant d'un cordon d'alimentation 30 A homologué UL NEMA 10-30 de type SRDT DÉBRANCHÉ, fixez le fil neutre (fil central) à la borne centrale de couleur ARGENT du bloc de branchement. Serrez solidement la vis.



### AVERTISSEMENT

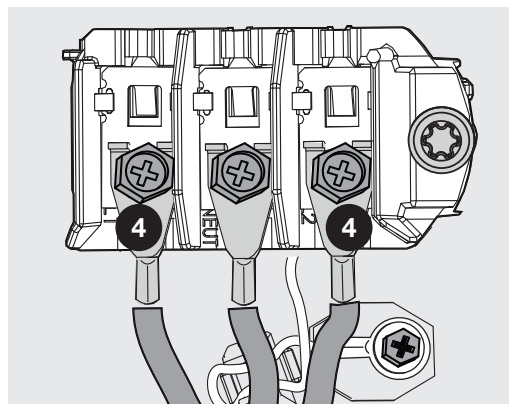
#### RISQUE D'ÉLECTROCUTION

NE RETIREZ PAS la mise à la terre interne d'un système à 3 fils.



3 Borne neutre argent

4. Fixez les deux autres fils du cordon d'alimentation aux bornes externes de couleur LAITON sur le bloc de branchement. Serrez solidement les deux vis.



4 Bornes extérieures en laiton



### AVERTISSEMENT

#### RISQUE D'ÉLECTROCUTION

Prenez soin de ne pas écraser ou courber abruptement les fils aux raccordements.

# 10 Instructions d'installation

5. Remettez le couvercle d'accès au bloc de branchement en place.



## AVERTISSEMENT

### RISQUE D'ÉLECTROCUTION

Ne faites pas fonctionner la sècheuse sans le couvercle d'accès aux bornes en place. Un couvercle de bloc de branchement correctement installé sert également de dispositif de décharge pour le cordon d'alimentation.



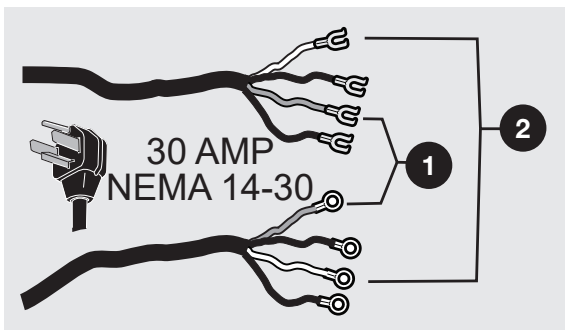
## IMPORTANT

Pour convertir une sècheuse à 4 fils en système à 3 fils, remettez le fil de terre interne de la borne centrale sur la vis VERTE sous le bloc de branchement.

## Raccordement électrique (ailleurs qu'au Canada) – câble à 4 fils



Prise à 4 fils  
(type NEMA 14-30R)



- 1 Fil de terre VERT
- 2 Fil neutre BLANC



## REMARQUE

Les deux cordons sont illustrés ci-dessus avec différents types de bornes.



## AVERTISSEMENT

### RISQUE D'ÉLECTROCUTION

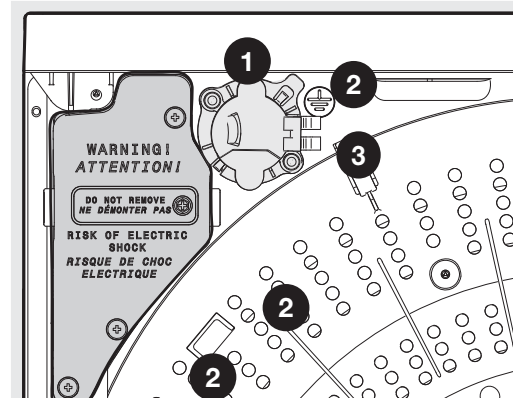
Si vous ne débranchez pas la source d'alimentation avant de procéder à une intervention, il pourrait en résulter des blessures graves ou même la mort.

1. Coupez le courant électrique à la prise.
2. Retirez les trois vis fixant le couvercle d'accès au bloc de branchement dans le coin supérieur à l'arrière de la sècheuse.



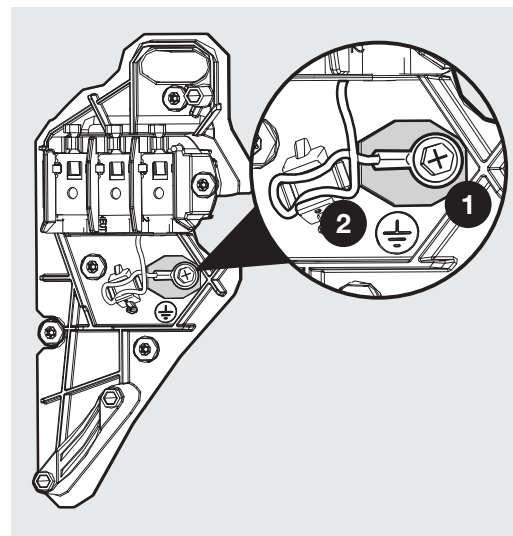
## REMARQUE

Les vis des bornes sont expédiées de l'usine temporairement fixées à l'intérieur du couvercle d'accès.



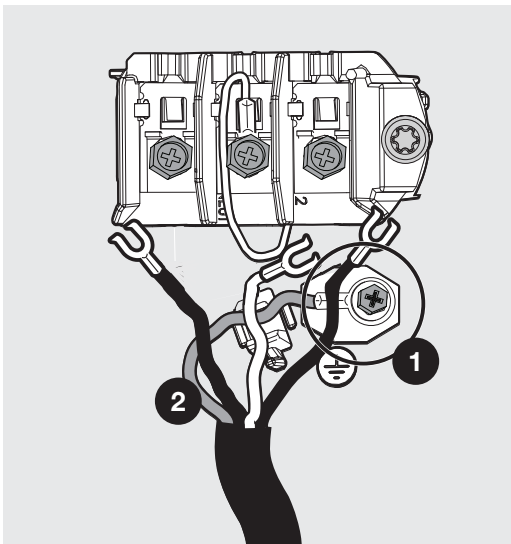
- 1 Couvercle d'accès au bloc de branchement
- 2 Vis du couvercle d'accès
- 3 NE PAS RETIRER – la vis à côté de ce texte ne doit pas être retirée.

3. Débranchez le fil du faisceau interne (BLANC) de la sècheuse de la vis de mise à la terre (VERTE) à côté du bloc de branchement.



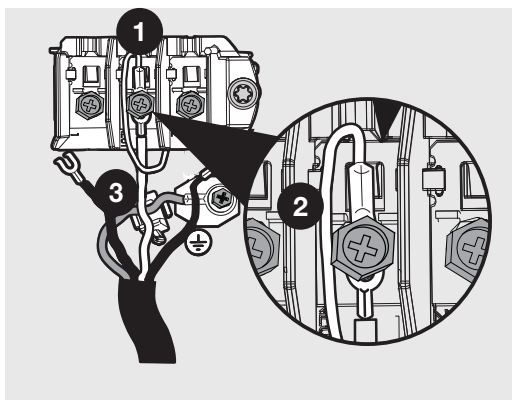
- 1 Mise à la terre interne (vis VERTE)
- 2 Faisceau interne de la sècheuse (fil BLANC)

- En vous servant d'un cordon d'alimentation 30 A homologué UL NEMA 14-30 de type ST ou SRDT DÉBRANCHÉ, fixez le fil de terre (VERT) du cordon d'alimentation au boîtier avec la vis de mise à la terre (VERTE). Serrez solidement la vis.
- Fixez les fils ROUGE et NOIR du cordon d'alimentation aux bornes de couleur LAITON sur le bloc de branchement. Serrez solidement les deux vis.

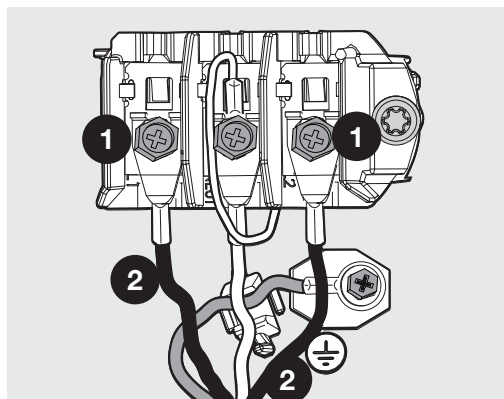


- 1 Vis de mise à la terre VERTE
- 2 Fil de terre VERT

- Déplacez le fil du faisceau interne (BLANC) de la sècheuse jusqu'au bloc de branchement et fixez-le, avec le fil neutre (BLANC) du cordon d'alimentation, à la borne centrale de couleur ARGENT du bloc de branchement. Serrez solidement la vis.



- 1 Fil neutre argent
- 2 Fil BLANC du faisceau interne
- 3 Fil neutre BLANC



- 1 Borne en laiton
- 2 Fil électrique NOIR ou ROUGE

- Remettez le couvercle d'accès au bloc de branchement en place.



## AVERTISSEMENT

### RISQUE D'ÉLECTROCUTION

Prenez soin de ne pas écraser ou courber abruptement les fils aux raccordements.



## AVERTISSEMENT

### RISQUE D'ÉLECTROCUTION

Ne faites pas fonctionner la sècheuse sans le couvercle d'accès au bloc de branchement. Un couvercle de bloc de branchement correctement installé sert également de dispositif de décharge pour le cordon d'alimentation.

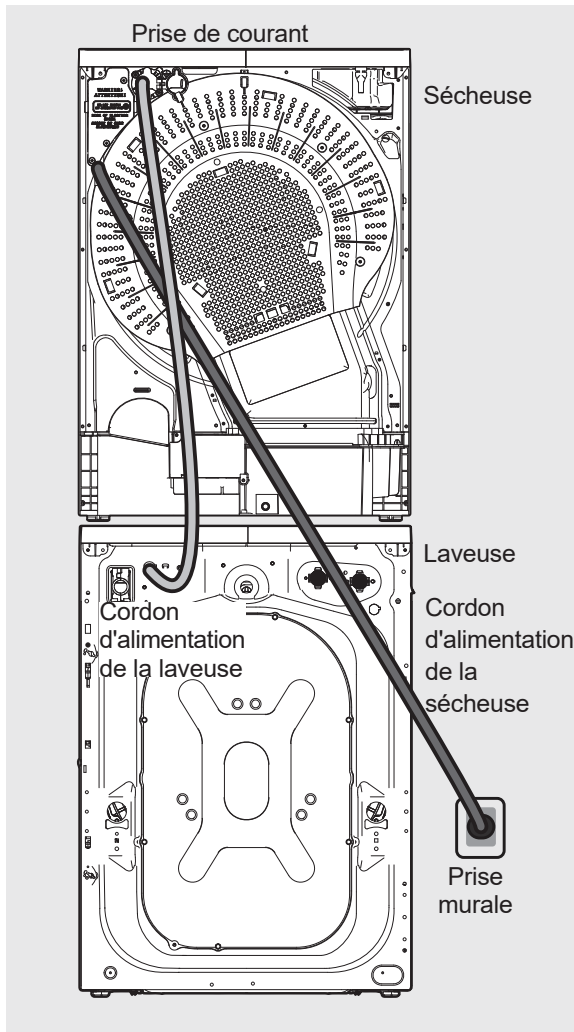
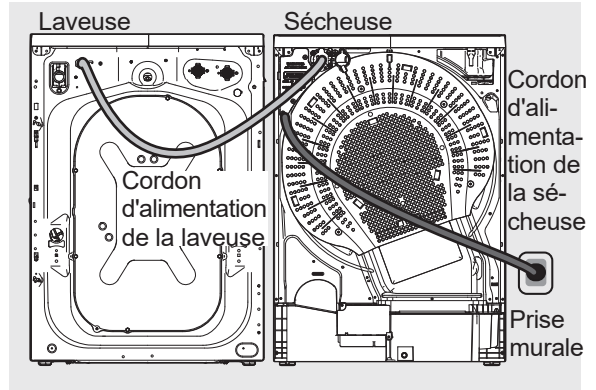


# 12 Instructions d'installation



## REMARQUE

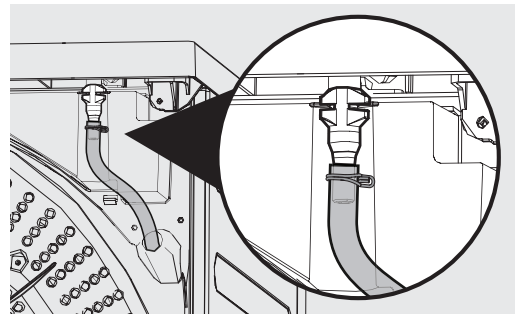
Si vous avez une sècheuse compacte Electrolux dont le numéro de modèle est ELFE4222AW ou ELFE422CAW, vous pouvez choisir d'alimenter votre laveuse compacte Electrolux à travers votre sècheuse, tel qu'illustré. Reportez-vous aux illustrations.



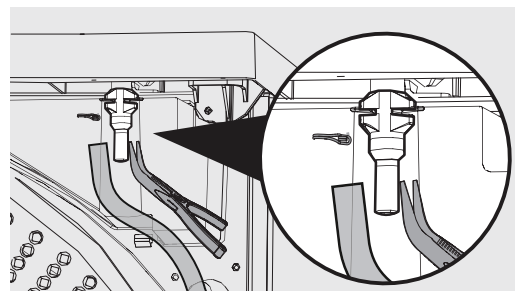
## Trousse pour vidange directe (certains modèles)

Pour les modèles comportant une trousse pour vidange directe, les instructions ci-dessous expliquent comment l'installer sur votre sècheuse pour une vidange pratique de son eau condensée.

1. Localisez le tube rouge et le raccord en plastique à l'arrière de la sècheuse.



2. Avec une paire de pinces, dégagez le collier de serrage et retirez le tube du raccord en plastique.

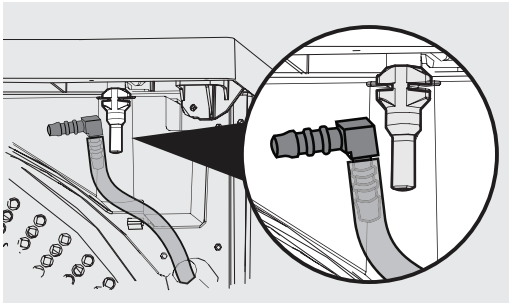


## AVERTISSEMENT

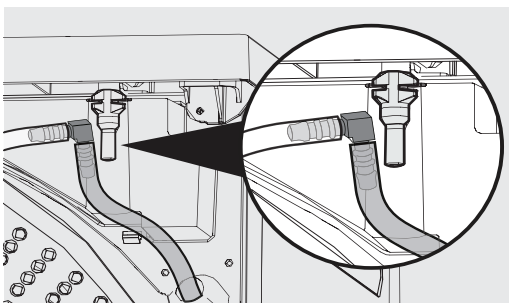
CECI N'EST PAS UN RÉCEPTACLE À USAGE GÉNÉRAL ! À utiliser uniquement avec les modèles de laveuse Electrolux compatibles répertoriés dans ce guide d'utilisation et d'entretien. Gardez la prise fermée si aucune fiche de laveuse Electrolux compatible n'est connectée à la sècheuse.



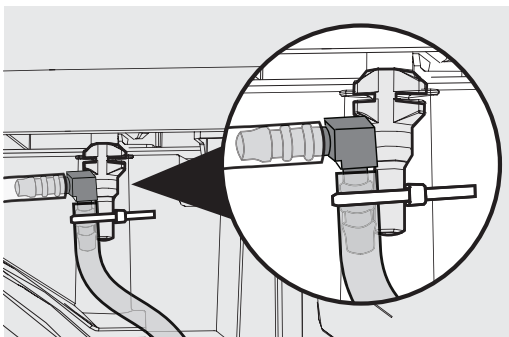
3. Récupérez le coude en plastique de 90° de la trousse de vidange directe fournie avec votre sècheuse et installez-le sur le tube rouge.



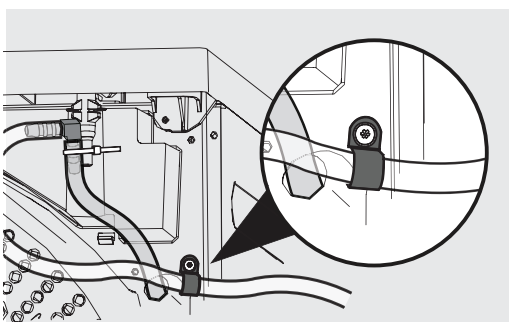
4. Récupérez le tube transparent fourni avec la trousse et installez-le aussi sur le coude.



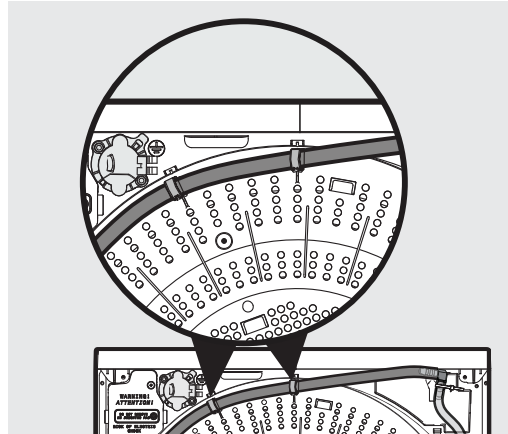
5. À l'aide du collier de serrage en plastique fourni avec la trousse, fixez le coude et les tubes au raccord en plastique.



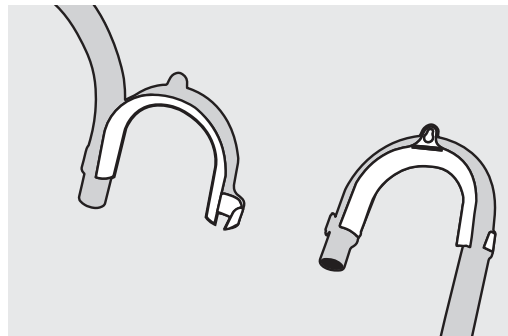
6. Pour acheminer le tube de vidange vers la gauche de la sècheuse, fixez-le à la pince « P » de la trousse, à l'arrière de la sècheuse, au moyen de la vis du boîtier illustrée ci-dessous.



7. Pour acheminer le tube de vidange vers la droite de la sècheuse, faites-le passer à l'arrière de la sècheuse et enclenchez-le dans les agrafes en C, tel qu'illustré ci-dessous.



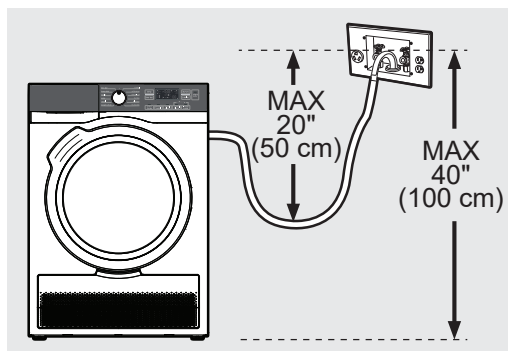
8. Installez le support de tuyau de la trousse sur l'extrémité du tuyau et insérez-le dans le drain.



## ➔ IMPORTANT

Suivez ces directives pour une installation correcte du tuyau de vidange :

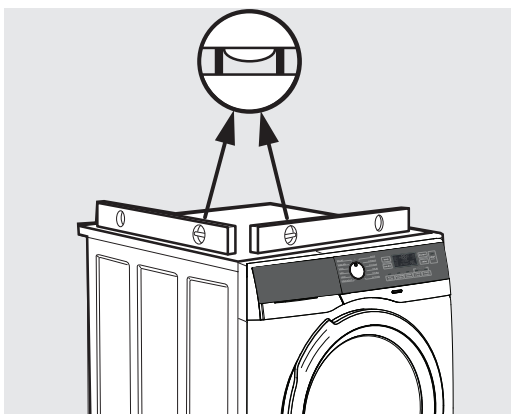
1. La distance entre le bas de l'affaissement du tube de vidange et le haut de la partie la plus élevée du tube ne doit pas dépasser 50 cm (20 po).
2. Il peut être nécessaire de raccourcir le tube de vidange avec des ciseaux si l'affaissement est supérieur à celui prescrit.
3. L'emplacement de la hauteur du drain ne doit pas se trouver à plus de 100 cm (40 po) au-dessus du bas des pieds de la sècheuse.



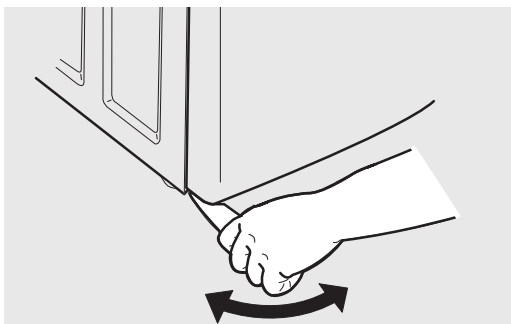
# 14 Instructions d'installation

## Installation générale

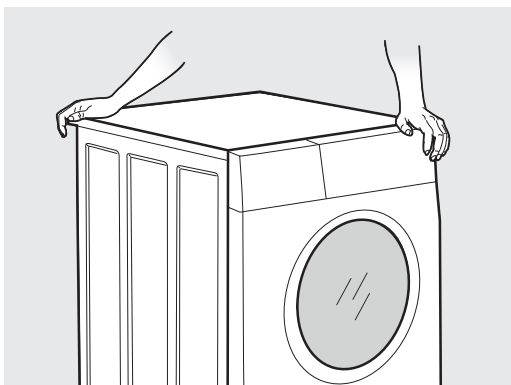
1. Utilisez un niveau de menuisier pour niveller votre sècheuse de l'avant vers l'arrière et d'un côté à l'autre.



2. Utilisez une pince réglable ou la clé universelle (voir Accessoires) pour régler les pieds de nivellement de façon à ce que la sècheuse soit nivelée de l'avant vers l'arrière et d'un côté à l'autre et stable d'un coin à l'autre.



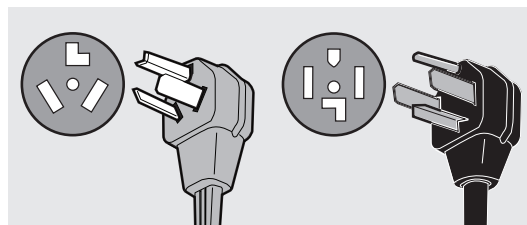
3. Appuyez sur les coins et les côtés opposés pour décélérer le moindre mouvement. Ajustez les pieds de façon à ce que la sècheuse repose solidement au sol sur ses quatre pieds. Pour un rendement optimal de la sècheuse, gardez l'extension des pieds de nivellement à une hauteur minimale.



## IMPORTANT

Assurez-vous que l'alimentation est coupée au boîtier à fusibles ou au disjoncteur avant de brancher le cordon d'alimentation dans une prise de courant

4. Branchez le cordon d'alimentation dans une prise avec mise à la terre.

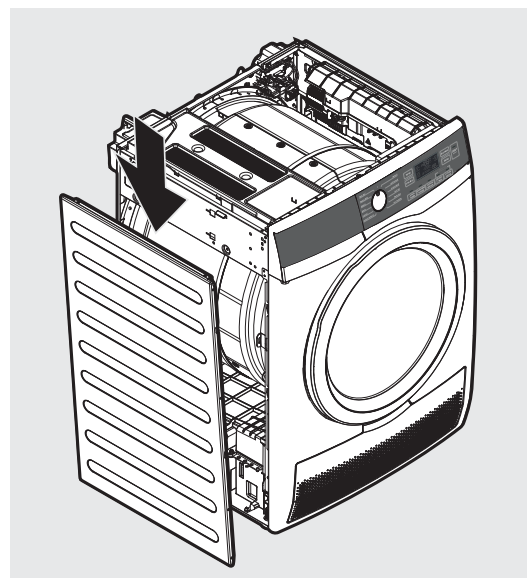


5. Mettez sous tension au boîtier à fusibles ou au disjoncteur.
6. Lisez le guide d'utilisation et d'entretien fourni avec la sècheuse. Il contient des renseignements précieux et utiles qui vous feront économiser du temps et de l'argent.
7. Si vous avez des questions lors de la première utilisation, consultez d'abord la « Liste de vérification pour éviter les appels de service » de votre guide d'utilisation et d'entretien avant d'appeler le service après-vente.
8. Conservez ces instructions à proximité de la sècheuse afin de pouvoir les consulter facilement si vous en avez besoin.

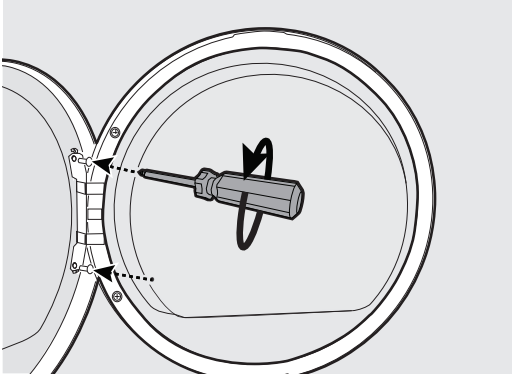


## REMARQUE

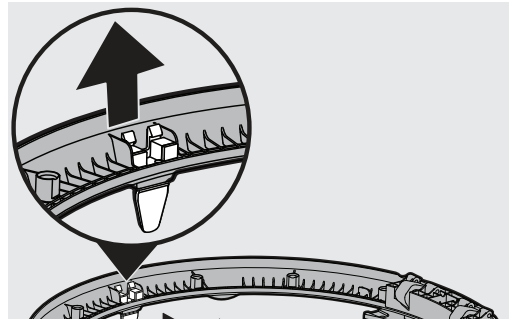
Il y a un schéma de câblage à côté du réservoir d'eau, derrière le panneau gauche de l'appareil.



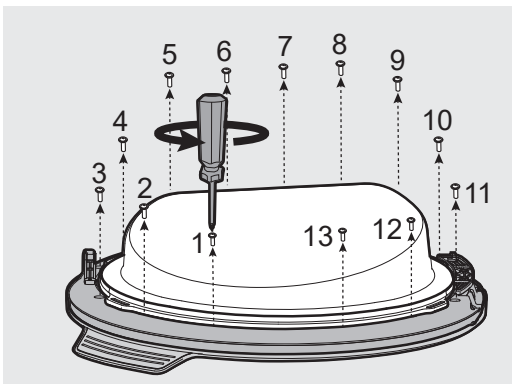
1. Localisez une surface de travail plate, par exemple le dessus de la sècheuse ou le plancher près de la sècheuse, et protégez-la avec un linge doux ou une serviette.
2. Ouvrez la porte de la sècheuse et retirez les deux vis de charnière. Retirez d'abord la vis inférieure, puis la vis supérieure.



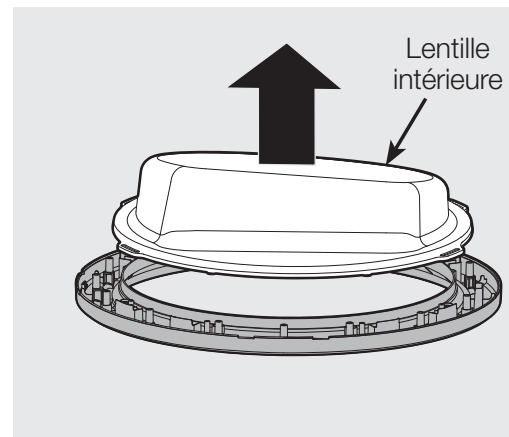
6. Relâchez le percuteur de l'interrupteur de porte en tirant sur les deux mousquetons situés à l'arrière de l'anneau intérieur de porte. Installez le percuteur de l'interrupteur de porte à l'endroit opposé (à 180° de sa position d'origine dans l'anneau intérieur de la porte). Mettez de côté l'anneau intérieur de la porte.



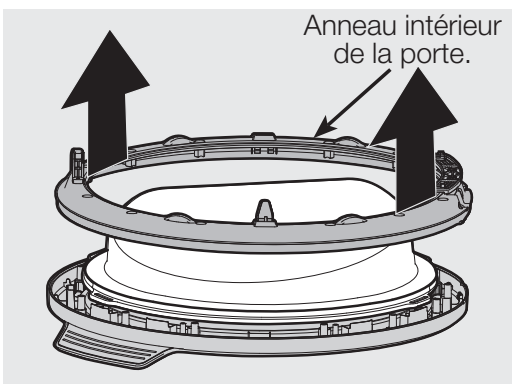
3. Placez délicatement la porte de la sècheuse face vers le bas sur une surface de travail plate et couverte.
4. Repérez les 13 vis sur l'anneau intérieur de la porte. Retirez et conservez ces 13 vis.



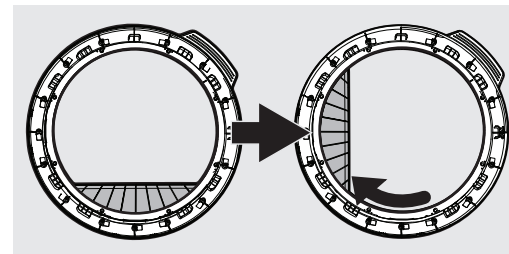
7. Soulevez la lentille intérieure et mettez-la de côté.



5. Séparez l'anneau intérieur de la porte du reste de la porte.

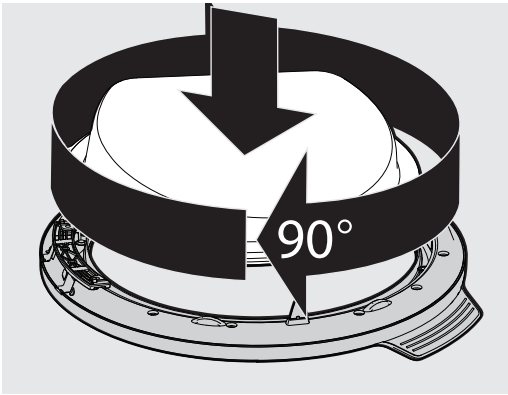


8. Soulevez la garniture semi-circulaire et faites-la pivoter dans le sens horaire de 90 degrés° à partir de sa position d'origine et placez-la sur les éléments d'alignement en plastique disponibles.

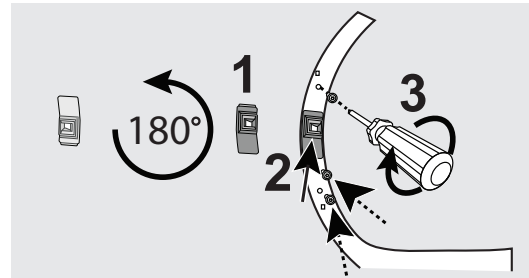


# 16 Inversion de la porte

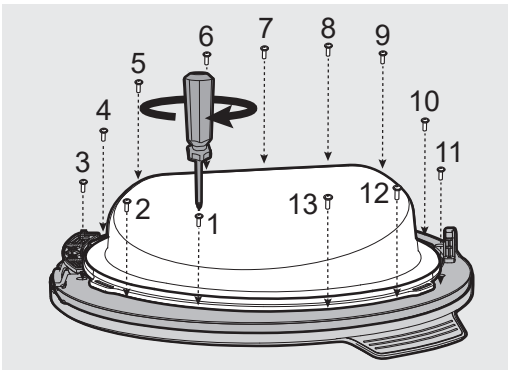
9. Faites pivoter la lentille intérieure dans le sens horaire de 90 degrés° à partir de sa position d'origine et remettez-la dans l'assemblage de la porte.



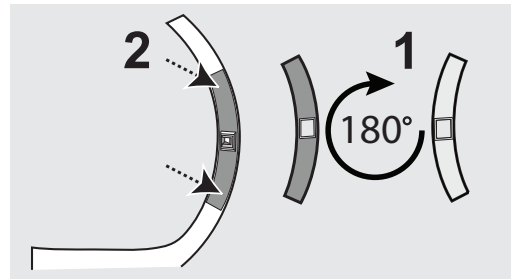
12. Faites pivoter le loquet de 180° et réinstallez-le à l'emplacement opposé au moyen des 3 vis retirées à l'étape précédente.



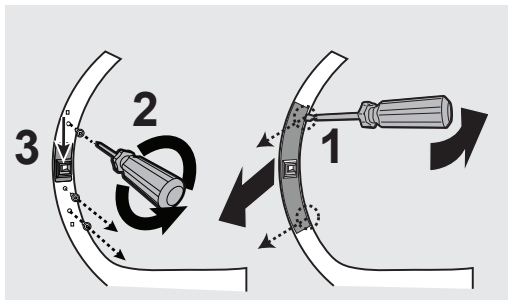
10. Faites pivoter l'anneau intérieur de la porte dans le sens antihoraire de 90 degrés° à partir de sa position d'origine et fixez-le à l'aide des 13 vis retirées plus tôt.



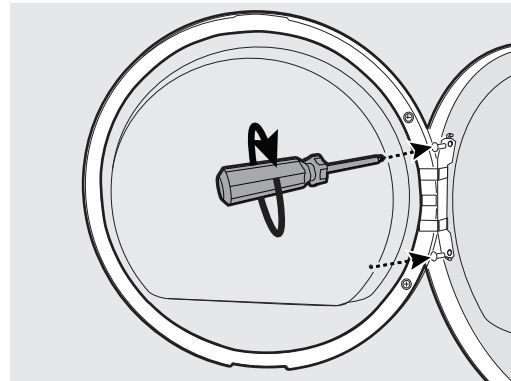
13. Faites pivoter le couvercle du loquet en plastique de 180° et enclenchez-le autour du loquet de la porte.



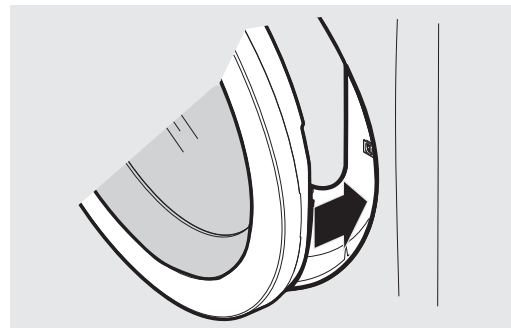
11. Soulevez doucement le couvercle du loquet en plastique du panneau avant et mettez-le de côté. Retirez les 3 vis fixant le loquet de la porte et libérez le loquet.



14. Tout en soutenant la porte, installez les 2 vis de montage de charnière retirées à la première étape. Fixez d'abord la vis supérieure, puis la vis inférieure.



15. Fermez la porte et testez le fonctionnement de la charnière, de la gâche et du verrou.



## TROUSSE DE VIDANGE DIRECTE N° de pièce DK11

Il est possible qu'une trousse de vidange directe pour le système de collecte d'eau de votre sècheuse à condensation ait été incluse à l'achat de votre sècheuse. Vous pouvez commander une trousse de vidange directe si votre modèle n'en comportait pas.

## TROUSSE DE SUPERPOSITION POUR SÈCHEUSE N° de pièce STACKIT24

Il est possible qu'une trousse de superposition soit incluse avec le modèle que vous avez acheté. Cette trousse permet de superposer une sècheuse sur le dessus d'une laveuse assortie. Vous pouvez commander une trousse de superposition si votre modèle n'en comportait pas ou si vous désirez vous en procurer une autre.

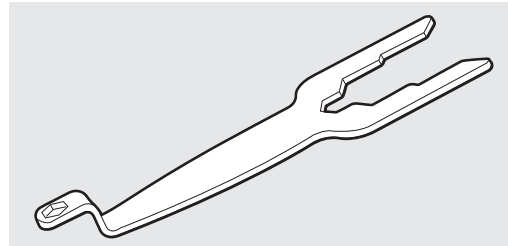
## CLÉ UNIVERSELLE POUR ÉLECTROMÉNAGERS N° de pièce 137019200

Vous pouvez vous procurer une CLÉ UNIVERSELLE POUR ÉLECTROMÉNAGERS afin de procéder plus facilement au réglage des pieds de la sècheuse ou de la laveuse.



## ATTENTION

Le fait de ne pas utiliser uniquement des accessoires fabriqués par (ou approuvés par) le fabricant peut entraîner des blessures, des dommages à la sècheuse ainsi que d'autres dommages matériels.



Clé universelle pour électroménagers

## Pièces de rechange

Si vous avez besoin de pièces de rechange pour votre laveuse, adressez-vous au détaillant chez qui vous avez acheté l'appareil ou consultez votre guide d'utilisation et d'entretien pour de plus amples renseignements.



## AVERTISSEMENT

### RISQUE D'ÉLECTROCUTION

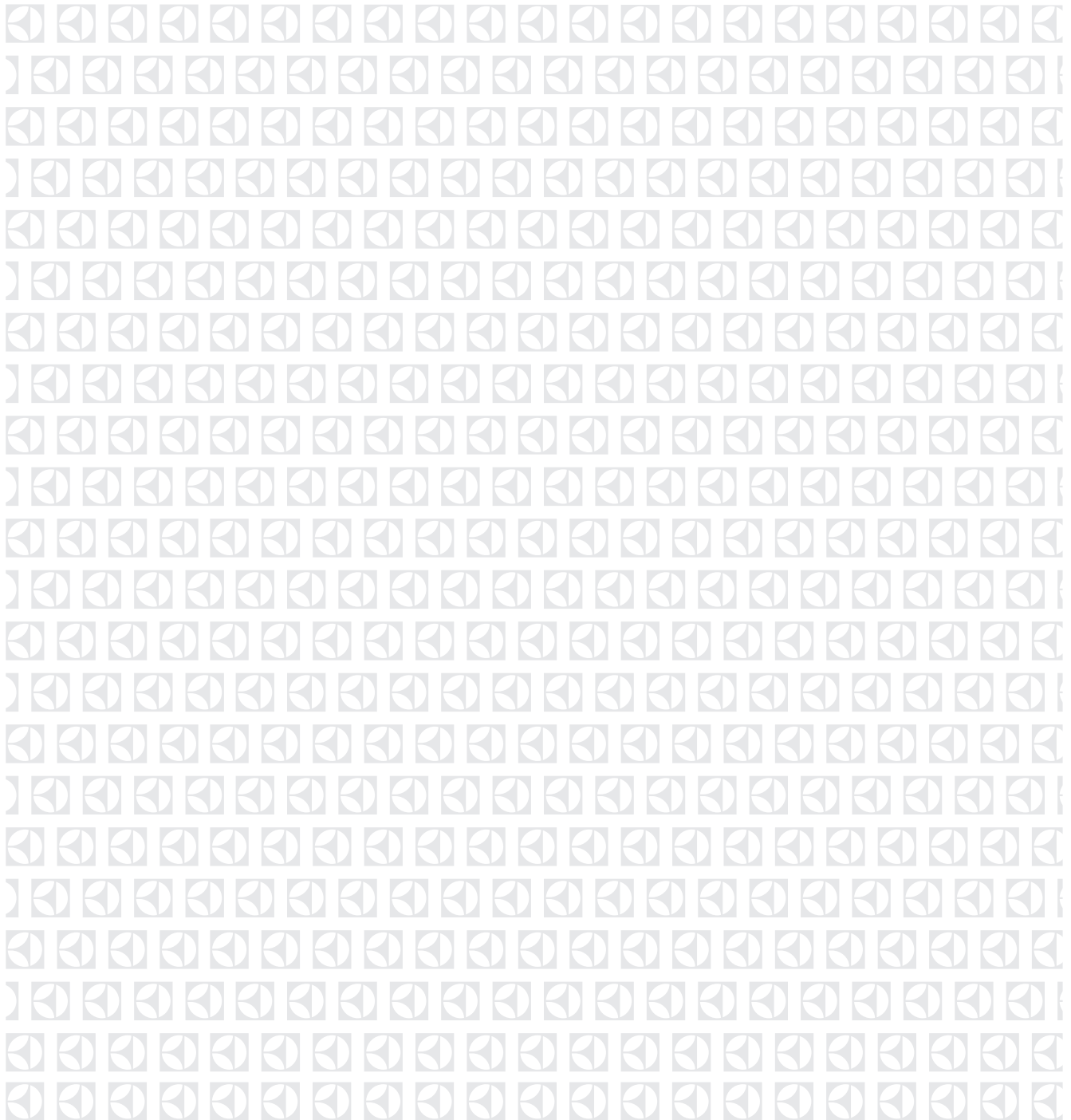
Lors de l'entretien des commandes, prenez soin d'étiqueter tous les fils avant de les débrancher. Des erreurs de câblage peuvent entraîner un fonctionnement incorrect et dangereux. Après l'entretien, vérifiez le fonctionnement de l'appareil.

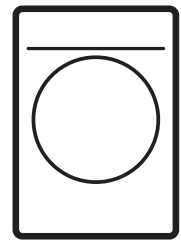






**electrolux.com/shop**





---

EN FRONT LOAD DRYER

FR SÉCHEUSE À CHARGEMENT FRONTAL

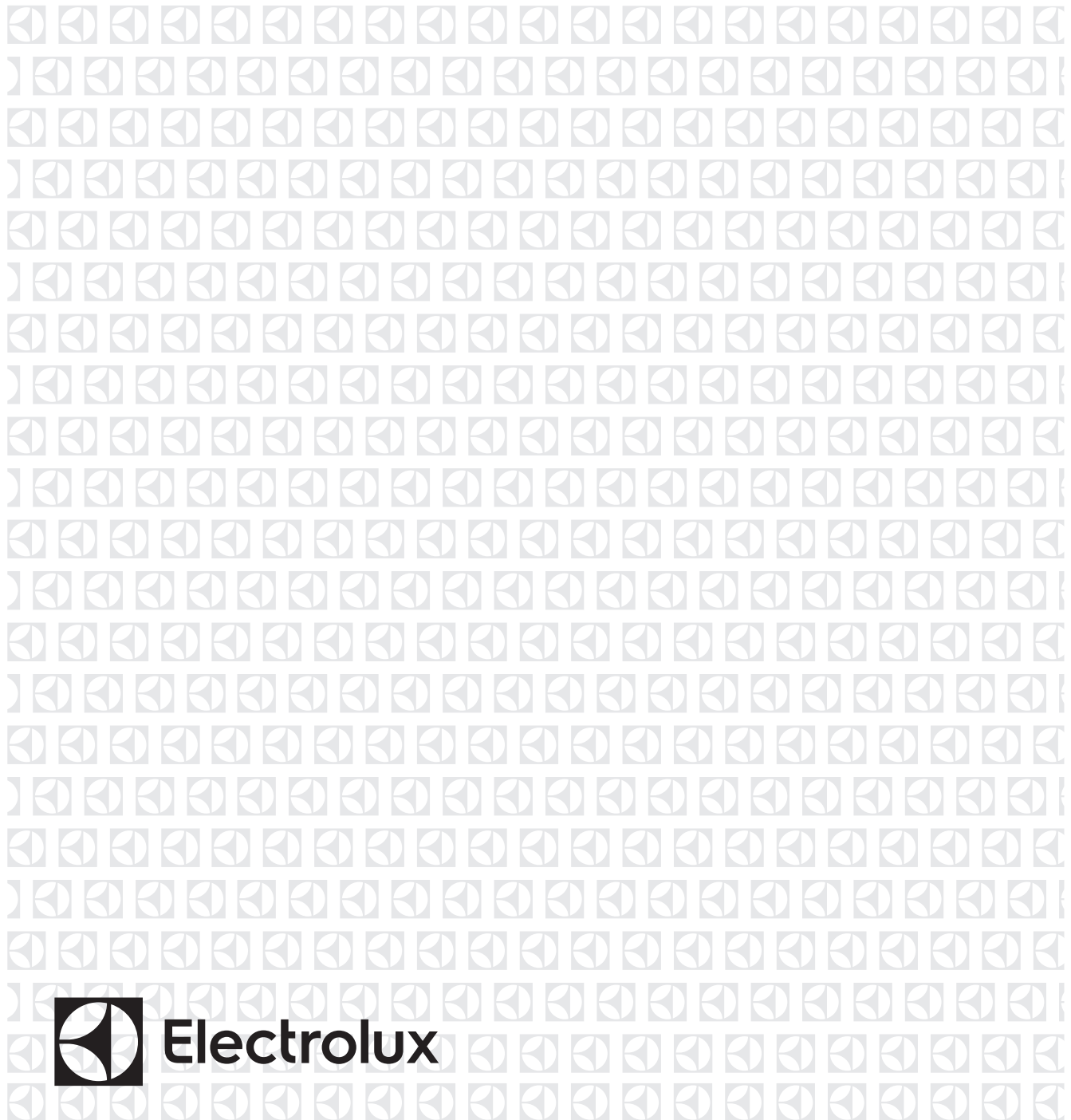
**ES** SECADORA DE CARGA FRONTAL

---

INSTALLATION INSTRUCTIONS

INSTRUCTIONS D'INSTALLATION

INSTRUCCIONES DE INSTALACIÓN



**Electrolux**



## ADVERTENCIA

Por favor, lea todas las instrucciones antes de usar esta secadora.

### Reconozca los símbolos, palabras y etiquetas de seguridad

En este manual, los elementos relacionados con la seguridad están etiquetados con un aviso de ADVERTENCIA o PRECAUCIÓN basado en el tipo de riesgo tal y como se describe a continuación:

#### Definiciones

**⚠** Éste es el símbolo de alerta de seguridad. Se utiliza para alertarlo sobre posibles riesgos de lesiones personales. Siga las indicaciones de todos los mensajes de seguridad que están después de este símbolo para evitar posibles lesiones o la muerte.



## PELIGRO

PELIGRO indica una situación de peligro inminente que, si no se evita, ocasionará la muerte o lesiones graves.



## ADVERTENCIA

ADVERTENCIA indica una situación potencialmente peligrosa que si no se evita, puede ocasionar la muerte o lesiones graves.



## PRECAUCIÓN

PRECAUCIÓN indica una posible situación de riesgo que, si no se evita, podría resultar en lesiones leves o moderadas.



## IMPORTANTE

Corresponde a información de instalación, uso o mantenimiento que es importante, pero no está relacionada con los factores de riesgo.

## Índice

Instrucciones importantes de seguridad ..	2
Requisitos para la instalación.....	4
Instrucciones de instalación.....	8
Puerta de inversión.....	15
Accesorios .....	17

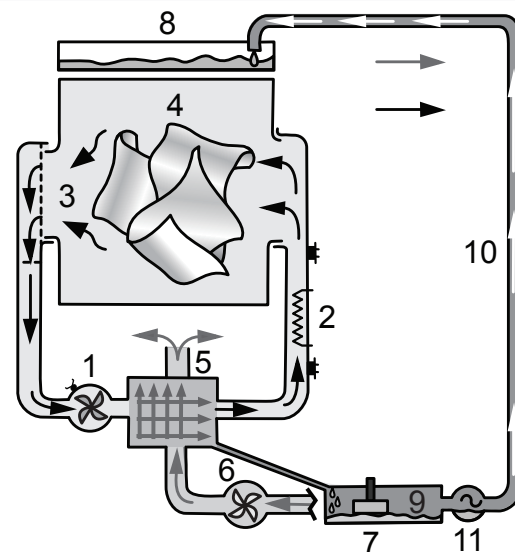
Gracias por elegir una secadora compacta sin ventilación Electrolux. Esta secadora funciona con un principio de secado diferente al de las secadoras con conductos de escape tradicionales. Su nueva secadora es una secadora sin condensación y NO requiere ventilación de escape que extraiga el aire del proceso de secado hacia el exterior.

Una secadora de condensación funciona por medio de un circuito cerrado. El aire del proceso de secado se calienta mediante un elemento calefactor interno, que luego pasa por encima y a través de su ropa. El aire rico en humedad desciende a través de un filtro de pelusa, luego a través de un intercambiador de calor aire-aire que funciona como condensador. El aire caliente y húmedo se enfría con un ventilador secundario independiente que utiliza el aire del ambiente. Cuando el aire del proceso se enfría, libera la humedad que se acumula en un recipiente de recuperación en la parte inferior del aparato. El agua puede bombearse por el desagüe mediante el kit provisto, o bombearse directamente a un depósito que debe vaciarse después de cada ciclo de secado.



## IMPORTANTE

Su nueva secadora no cuenta con ventilación de condensación y **NO** requiere ventilación de escape que extraiga el aire del proceso de secado al exterior.



- |  |   |
|--|---|
| 1. Circuito primario:<br>ventilador de aire<br>de proceso de<br>secado | 6. Circuito secundario:<br>ventilador de aire<br>ambiente |
| 2. Resistencia   | 7. Recipiente de<br>desagüe                               |
| 3. Filtro de pelusa  | 8. Depósito de agua                                       |
| 4. Carga de prendas  | 9. Interruptor de<br>flotador/bomba                       |
| 5. Intercambiador<br>de calor  | 10. Tubo de desagüe                                       |
|  | 11. Bomba de agua   |



## ADVERTENCIA

Por su seguridad, se debe seguir la información de este manual para minimizar el riesgo de incendio o explosión y para evitar daños materiales, lesiones personales o pérdidas de vidas. No almacene ni use gasolina u otros líquidos o productos inflamables cerca de este o de cualquier otro electrodoméstico.



## ADVERTENCIA RIESGO DE INCENDIO

Lea todas las instrucciones siguientes antes de instalar o usar este aparato.

- Recicle la caja y deseche las bolsas de plástico después de desembalar la secadora. Los niños podrían usarlos para jugar. Las cajas de cartón cubiertas con alfombras, colchas o láminas de plástico pueden convertirse en cámaras herméticas que causan asfixia. Coloque todos los materiales en un contenedor de basura o haga que los materiales resulten inaccesibles para los niños.
- La instalación y el servicio de la secadora de ropa deben ser realizados por un instalador cualificado o una agencia de servicio.
- Instale la secadora de ropa según las instrucciones del fabricante y los códigos locales.
- El servicio eléctrico del secador debe ajustarse a los códigos y ordenanzas locales y a la última edición del Código Eléctrico Nacional, ANSI/NFPA 70, o en Canadá, el Código Eléctrico Canadiense CSA C22.1 apartado 1.
- La secadora está diseñada según la norma ANSI Z21.5.1/CSA 7.1 o UL 2158 - CAN/CSA C22.2 N° 112 (últimas ediciones) sólo para USO DOMÉSTICO. Esta secadora no está recomendada para usos comerciales como restaurantes, salones de belleza, etc.
- **NO** apile una secadora sobre una lavadora ya instalada en un pedestal. **NO** apile la secadora sobre otra secadora. **NO** apile una lavadora sobre una secadora. **NO** apile una lavadora sobre otra lavadora. **NO** apile una secadora sobre una lavadora sin usar el kit de apilado aprobado por el fabricante e instalado correctamente, adecuado para su modelo.

Las instrucciones de este manual y el resto de la documentación incluida con esta secadora no pretenden abarcar todas las condiciones y situaciones posibles que puedan ocurrir. Se DEBE aplicar una buena práctica de seguridad y precaución al instalar, utilizar y mantener cualquier aparato.



## PRECAUCIÓN

### RIESGO DE PESO EXCESIVO

Para evitar lesiones de espalda o de otro tipo, la secadora deberán moverla o levantarla dos o más personas.



## IMPORTANTE

### NO INSTALE SU SECADORA:

1. En zonas expuestas a goteras o a las condiciones climáticas externas.
2. Sobre alfombras. El suelo DEBE ser sólido con una inclinación máxima de 1 pulgada (2,5 cm).



## ADVERTENCIA

### RIESGO DE EXPLOSIÓN

No instale la secadora donde se guarde o se almacene gasolina u otros productos inflamables. Si la secadora se instala en un garaje, debe estar a un mínimo de 18 pulgadas (45,7 cm) sobre el suelo. Ignorar esta advertencia puede ocasionar lesiones mortales, explosiones, incendios o quemaduras.

**GUARDE ESTAS INSTRUCCIONES PARA FUTURA CONSULTA.**

## Por favor, lea y guarde esta guía

Gracias por elegir Electrolux, la marca premium de electrodomésticos. Estas instrucciones de instalación forman parte de nuestro compromiso con la satisfacción del cliente y la calidad del producto durante toda la vida útil de su nuevo aparato.

## ¿Dudas?

Teléfono gratuito y asistencia online:

**EE.UU.** :1-877-4ELECTROLUX  
(1-877-435-3287)

[www.electroluxappliances.com](http://www.electroluxappliances.com)

**Canadá:** 1-800-265-8352  
[www.electroluxappliances.ca](http://www.electroluxappliances.ca)



## Lista de verificación del proceso de instalación

### Desembalaje

- La película plástica (que recubre el interior del tambor) se retira y se desecha. Vea también la imagen de abajo.

### Nivelación

- La secadora se nivela, de lado a lado y de adelante hacia atrás
- El gabinete se asienta firmemente en todas las esquinas

### Suministro eléctrico de 208 v/240 v

- Cable de servicio NEMA 10-30 o 14-30 aprobado con todos los tornillos apretados en el bloque de terminales
- Cubierta de acceso a la terminal/alivio de tensión instalada antes de la operación inicial

**Notas:** Las secadoras que funcionan con una fuente de alimentación de 208 V tienen tiempos de secado más largos que las que funcionan con una fuente de alimentación de 240 V.

### Inversión de la puerta

- Siga las instrucciones detalladas de esta guía
- Compruebe el funcionamiento de la bisagra y el pestillo

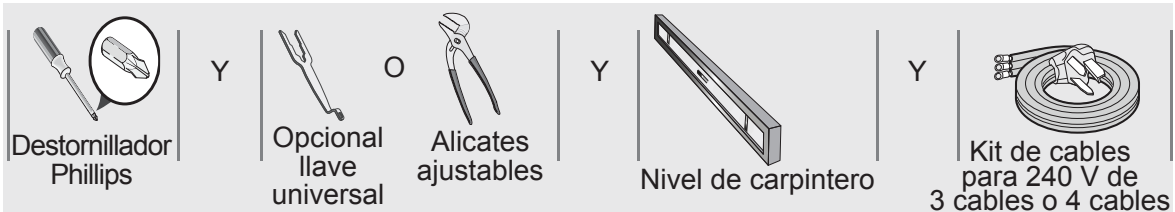
### Alimentación eléctrica

- Electricidad de la casa operativa
- Secadora enchufada

### Comprobaciones finales

- Instrucciones de instalación y Guía de uso y cuidado leídos atentamente
- Las puertas se cierran y el tambor gira cuando el ciclo comienza.
- Se envió la tarjeta de registro

## Herramientas y materiales necesarios para la instalación:



## Requisitos eléctricos para la secadora eléctrica



### NOTA

Debido a las capacidades de voltaje potencialmente inconsistentes, no se recomienda el uso de esta secadora con electricidad generada a través de generadores a gas, generadores solares, generadores eólicos o cualquier otro generador diferente al de la empresa de energía local.

**CIRCUITO** - Circuito de bifurcación individual de 30 A, equipado con fusibles de retardo de 30 A o disyuntores. Utilice circuitos con fusibles independientes para la lavadora y la secadora. NO utilice una lavadora y una secadora en el mismo circuito.

**FUENTE DE ALIMENTACIÓN** - 3 o 4 cables, 208-240 voltios, monofásica, 60 Hz, corriente alterna.



### IMPORTANTE

Esta secadora está internamente conectada a tierra de forma neutral a menos que haya sido fabricada para su venta en el Canadá. Solo debe usarse un cable de 4 conductores cuando se instale el electrodoméstico en un lugar donde esté prohibida la conexión a tierra a través del conductor neutro. La conexión a tierra a través del conector neutro está prohibida para: (1) nuevas instalaciones de circuitos derivados, (2) casas móviles, (3) vehículos recreativos, y (4) áreas donde los códigos locales no permiten la puesta a tierra a través de la conexión neutral.

**TOMACORRIENTE** - El tomacorriente NEMA 10-30R o NEMA 14-30R debe estar ubicado de tal manera que se pueda acceder al cable de la fuente de alimentación cuando la secadora esté ubicada en el punto de instalación.

**CONEXIÓN A TIERRA** - Consulte "Requisitos para la conexión a tierra" en la sección Instalación eléctrica.

### KIT DE CABLE DE ALIMENTACIÓN DE 4 CABLES (no suministrado)



Tomacorriente de 4 cables (NEMA tipo 14-30R)

La secadora DEBE emplear un cable de alimentación eléctrica de 4 conductores tipo NEMA 14-30 SRDT o ST (según sea necesario), con capacidad para 240 V CA mínimo, 30 A, con 4 conectores de terminal de horquilla con extremo abierto con conectores de extremos girados hacia arriba o de ciclo cerrado y marcados para utilizar con secadoras de ropa. Para obtener las instrucciones para la conexión del cable de 4 conductores, consulte CONEXIONES ELÉCTRICAS PARA UN SISTEMA DE 4 CABLES.



### NOTA

Las secadoras fabricadas para su venta en Canadá cuentan con un cable de alimentación de 4 hilos instalado de fábrica (NEMA 14-30).

### KIT DE CABLE DE ALIMENTACIÓN DE 3 CABLES (no suministrado)



Tomacorriente de 3 cables (NEMA tipo 10-30R)

La secadora DEBE emplear un cable de alimentación eléctrica de 3 conductores tipo NEMA 10-30 SRDT, con capacidad para 240 V CA mínimo, 30 A, con 3 conectores de terminal de horquilla con extremo abierto con conectores de extremos girados hacia arriba o de ciclo cerrado y marcados para utilizar con secadoras de ropa. Para obtener las instrucciones para la conexión del cable de 3 conductores, consulte CONEXIONES ELÉCTRICAS PARA UN SISTEMA DE 3 CABLES.



### ADVERTENCIA

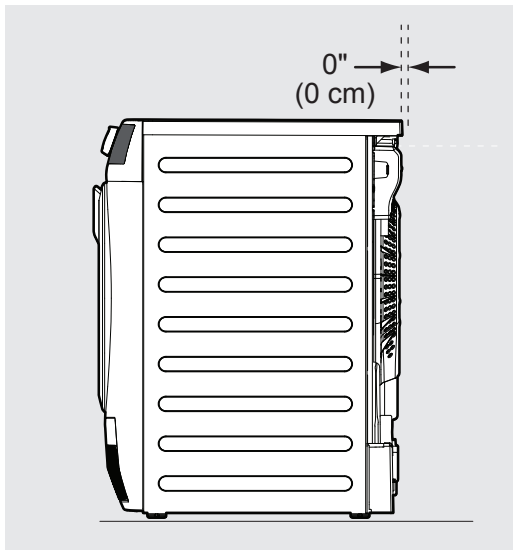
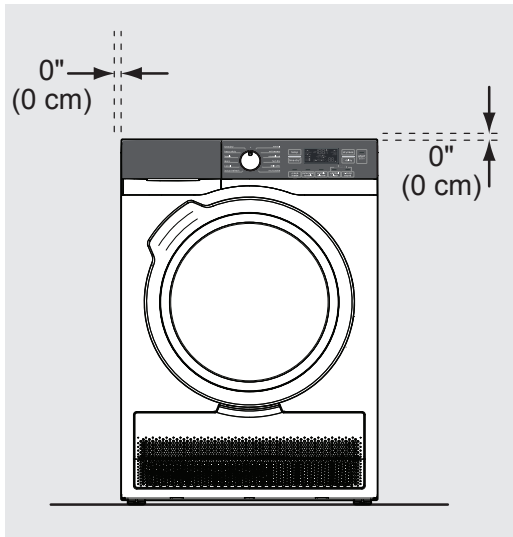
Conectar a tierra de manera incorrecta la secadora puede ocasionar lesiones graves o mortales. Consulte con un electricista cualificado si tiene dudas en relación con la conexión a tierra del electrodoméstico.

# 6 Requisitos para la instalación

## Instalación en casas móviles o fijas

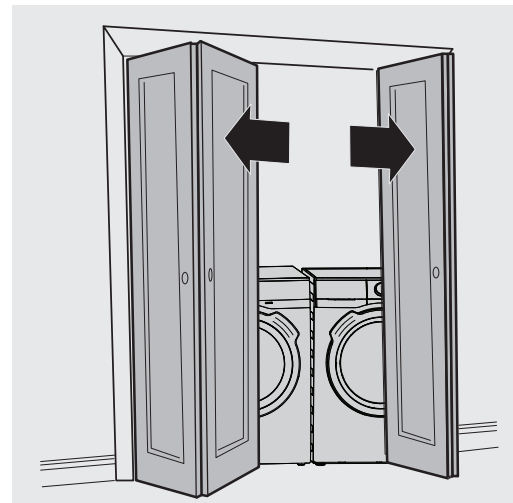
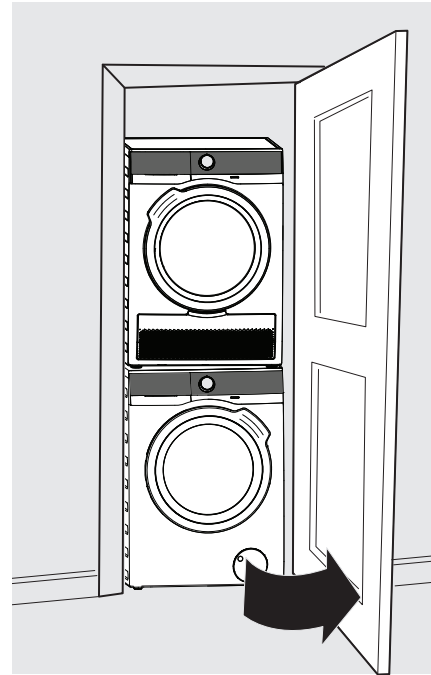
La instalación DEBE cumplir con el actual Estándar de construcción y seguridad de casas construidas, Título 24 CFR, Apartado 32-80 (anteriormente el Estándar Federal para la fabricación y seguridad de casas móviles, Título 24, HUD Apartado 280) o el Estándar CAN/CSAZ240 MH.

## Requisitos de separación



## Instalación en armario

Si instala la secadora en un armario, la puerta del armario debe permanecer abierta mientras la secadora está funcionando para permitir la circulación de aire correcta. Consulte la Guía de uso y cuidado para obtener más información.

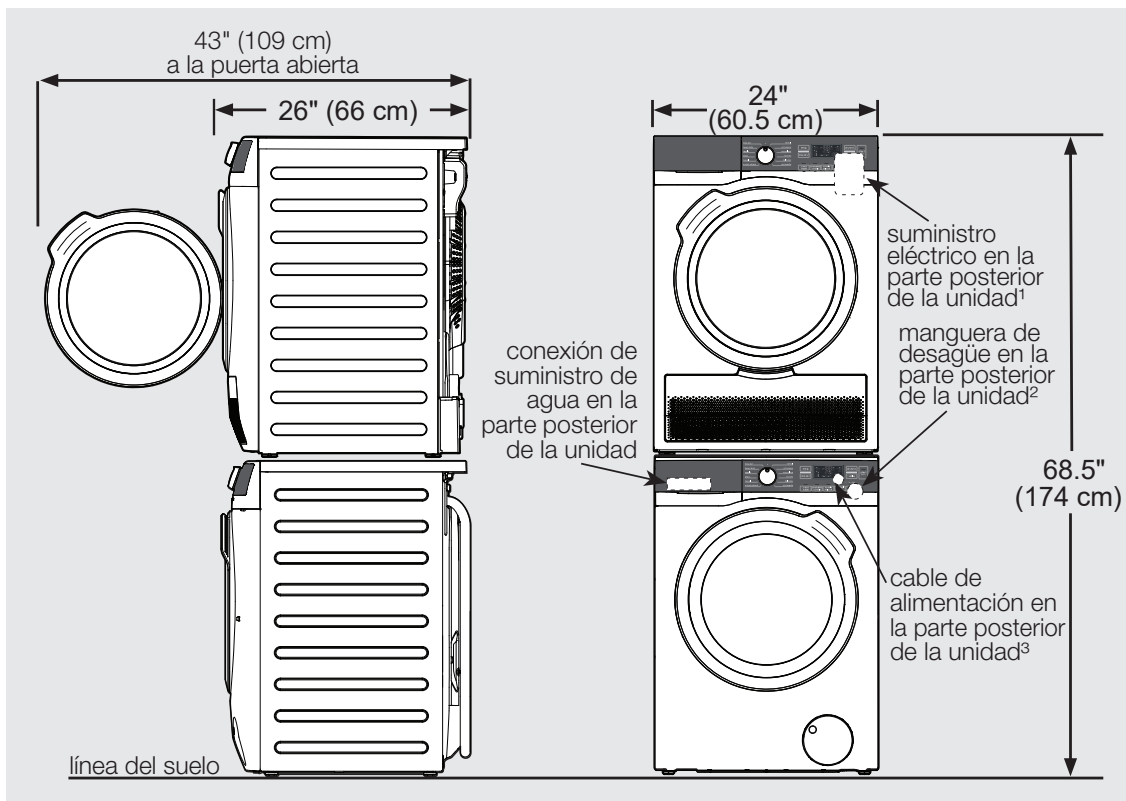
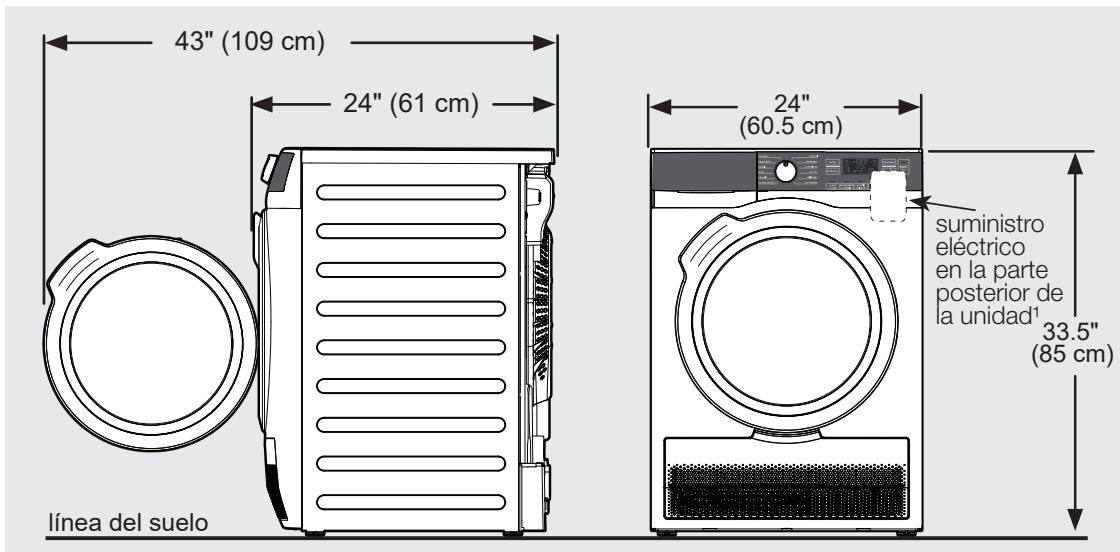


ESPACIOS LIBRES MÍNIMOS PARA LA INSTALACIÓN - Pulgadas (cm)

	LADOS	ATRÁS	PARTE SUPERIOR	FRENTE
Nicho	0" (0 cm)	0" (0 cm)	0" (0 cm)	n/a
Debajo de encimera	0" (0 cm)	0" (0 cm)	0" (0 cm)	n/a



## Dimensiones de la secadora



<sup>1</sup>Longitud del cable de alimentación de la secadora canadiense: aproximadamente 59 pulgadas (150 cm).

<sup>2</sup>La longitud de la manguera de desagüe en la lavadora es de aproximadamente 55 pulgadas (140 cm).

<sup>3</sup>La longitud del cable de alimentación de la lavadora es de aproximadamente 59 pulgadas (150 cm).

## Instalación eléctrica

Los siguientes son los requisitos específicos para la instalación eléctrica correcta y segura de la secadora. Si no se siguen estas instrucciones se puede provocar descargas eléctricas y/o un riesgo de incendio.



### ADVERTENCIA

#### RIESGO DE DESCARGA ELÉCTRICA

- Este electrodoméstico DEBE conectarse a tierra adecuadamente. Si la secadora no está correctamente conectada a tierra, existe el riesgo de descargas eléctricas. Proceda conforme a las instrucciones de este manual para realizar una buena conexión a tierra.
- No utilice cables alargadores con esta secadora. Algunos cables de extensión no están diseñados para resistir las cantidades de corriente que utiliza esta secadora y pueden derretirse y, por consiguiente, crear riesgos de descargas eléctricas o incendios. Ubique la secadora de manera que quede al alcance del tomacorriente con el cable de alimentación que va a adquirir, dejando que el cable tenga cierta holgura. Consulte en este manual los requisitos para la preinstalación para adquirir el cable de alimentación eléctrica apropiado.



### ADVERTENCIA

#### RIESGO DE DESCARGA ELÉCTRICA

- Se debe instalar un dispositivo de alivio de tensión aprobado por la U.L. en el cable de alimentación. Si no se coloca un dispositivo de alivio de tensión, el cable puede desprenderse de la secadora y podría cortarse por el movimiento y, por consiguiente, producirse una descarga eléctrica.
- No utilice un tomacorriente con cable de aluminio con un cable de alimentación de cobre y un enchufe (o viceversa). El cobre y el aluminio reaccionan químicamente y pueden ocasionar cortocircuitos. El cableado y el tomacorriente que son apropiados son un cable de alimentación de cobre y un tomacorriente cableado con cobre.



### NOTA

La secadora eléctrica está diseñada y certificada para funcionar a 240 V y 208 V. Sin embargo, los tiempos de secado en una fuente de alimentación de 208 V, son aproximadamente un 20% más demorados que los tiempos de secado en una fuente de alimentación de 240 V. Este es un comportamiento normal y previsto y se aplica a todos los ciclos de secado.



### ADVERTENCIA

#### RIESGO DE DESCARGA ELÉCTRICA

La conexión incorrecta del conductor de conexión a tierra del equipo puede dar lugar a un riesgo de descarga eléctrica. Consulte con un electricista cualificado si tiene dudas en relación con la conexión a tierra del electrodoméstico.

## Requisitos de conexión a masa - Secadora eléctrica (EE.UU.)

Para una secadora conectada mediante un cable con conexión a tierra:

1. La secadora DEBE conectarse a masa. En el caso de fallos de funcionamiento o averías, la conexión a masa reduce el riesgo de descargas eléctricas desviando la corriente por el punto de menor resistencia.
2. Después de la compra e instalación de un cable de alimentación de 3 o 4 hilos que tenga un conductor de puesta a tierra del equipo y un enchufe de puesta a tierra que coincida con el sistema de cableado del lugar de instalación, el enchufe DEBE enchufarse en un tomacorriente de cobre apropiado que esté debidamente instalado y puesto a tierra de acuerdo con todos los códigos y ordenanzas locales. Si tiene alguna duda, póngase en contacto con un electricista certificado.
3. NO modifique el enchufe que ha instalado en este electrodoméstico. Si no encaja en el tomacorriente, solicite a un electricista cualificado que instale un tomacorriente apropiado.

## Requisitos de conexión a masa - Secadora eléctrica (Canadá)

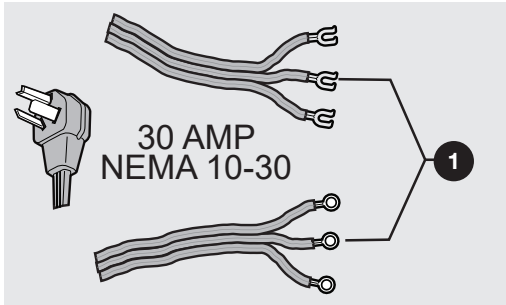
Para una secadora conectada mediante un cable con conexión a tierra:

1. La secadora DEBE conectarse a masa. En el caso de fallos de funcionamiento o averías, la conexión a masa reduce el riesgo de descargas eléctricas desviando la corriente por el punto de menor resistencia.
2. Dado que su secadora está equipada con un cable de alimentación que dispone de un conductor de conexión a tierra del equipo y un enchufe de conexión a tierra, el enchufe debe conectarse a una toma de corriente apropiada que esté debidamente instalada y conectada a tierra de acuerdo con todos los códigos y ordenanzas locales. Si tiene alguna duda, póngase en contacto con un electricista certificado.
3. NO modifique el enchufe que se suministra con este electrodoméstico. Si no encaja en el tomacorriente, solicite a un electricista cualificado que instale un tomacorriente apropiado.

## Conexión eléctrica (excluida Canadá) - cable de 3 cables



Tomacorriente de 3 cables (NEMA tipo 10-30R)



1 Neutro (cable central)



### NOTA

Dos cables mostrados arriba con diferentes tipos de terminales.



### ADVERTENCIA

#### RIESGO DE DESCARGA ELÉCTRICA

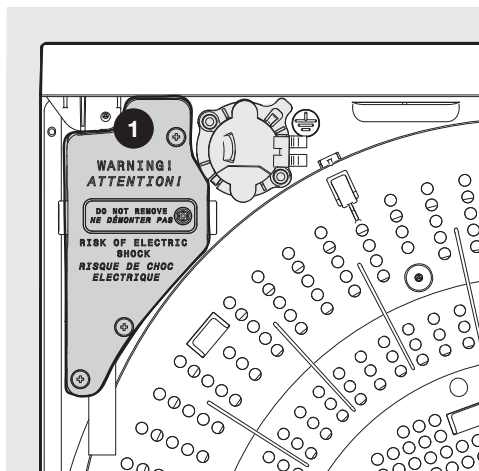
Si no desconecta la fuente de alimentación eléctrica antes de realizar los trabajos de mantenimiento, podrían producirse lesiones personales o incluso mortales.

1. Desconecte la fuente de alimentación eléctrica del tomacorriente.
2. Retire los tres tornillos que aseguran la tapa de acceso al bloque de terminales en la esquina superior de la parte trasera de la secadora.



### NOTA

Los tornillos de los terminales se enviaron desde la fábrica temporalmente fijados dentro de la tapa de acceso.



1 Tapa de acceso al bloque de terminales

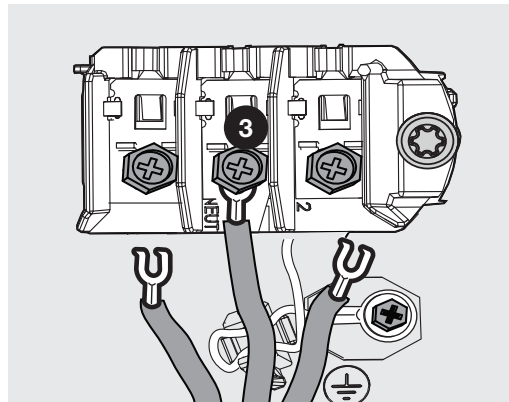
3. Usando un cable de alimentación de 30 amperios DESENCUFADO y aprobado por UL, NEMA 10-30 tipo SRDT, conecte el conductor neutro (cable central) al terminal central de color PLATA en el bloque de terminales. Apriete firmemente el tornillo.



### ADVERTENCIA

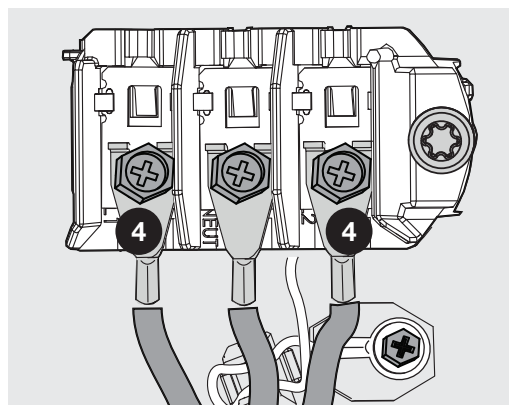
#### RIESGO DE DESCARGA ELÉCTRICA

NO mueva la masa interna en un sistema de 3 cables.



3 Terminal plateado neutro

4. Asegure los dos conductores externos restantes del cable de alimentación a los terminales externos de color BRONCE del bloque de terminales. Apriete firmemente los dos tornillos.



4 Terminales exteriores de cobre



### ADVERTENCIA

#### RIESGO DE DESCARGA ELÉCTRICA

No haga una curva cerrada o engarce el cableado/conductor en las conexiones.

# 10 Instrucciones de instalación

5. Vuelva a instalar la tapa de acceso al bloque de terminales.



## ADVERTENCIA

### RIESGO DE DESCARGA ELÉCTRICA

No utilice la secadora sin la tapa del terminal en su lugar. Una tapa del bloque de terminales correctamente instalada también actúa como un alivio de tensión adecuado para el cable de alimentación.



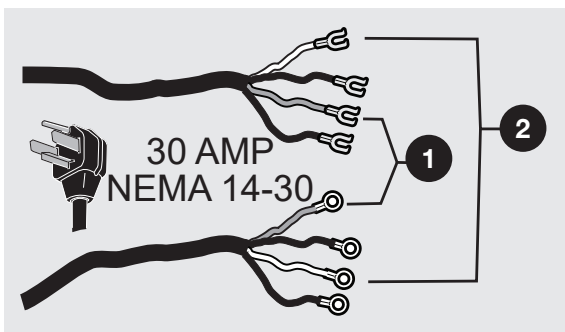
## IMPORTANTE

Si cambia la secadora de un sistema de 4 cables y la instala ahora en un sistema de 3 cables, mueva el cable de tierra interno del terminal central de nuevo al tornillo VERDE que está debajo del bloque de terminales.

## Conexión eléctrica (Excluida Canadá) - Cable de 4 hilos



Tomacorriente  
de 4 cables  
(NEMA tipo 14-30R)



- 1 Cable VERDE de masa
- 2 Cable blanco neutro



## NOTA

Dos cables mostrados arriba con diferentes tipos de terminales.



## ADVERTENCIA

### RIESGO DE DESCARGA ELÉCTRICA

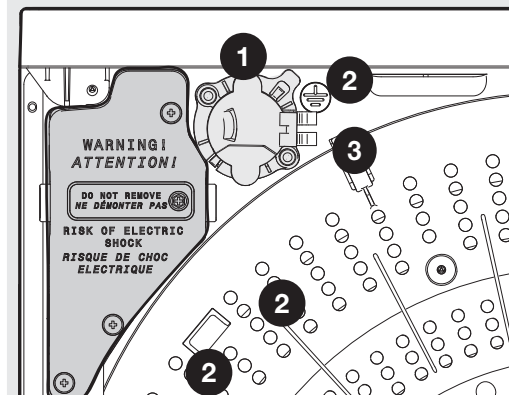
Si no desconecta la fuente de alimentación eléctrica antes de realizar los trabajos de mantenimiento, podrían producirse lesiones personales o incluso mortales.

1. Desconecte la fuente de alimentación eléctrica del tomacorriente.
2. Retire los tres tornillos que aseguran la tapa de acceso al bloque de terminales en la esquina superior de la parte trasera de la secadora.



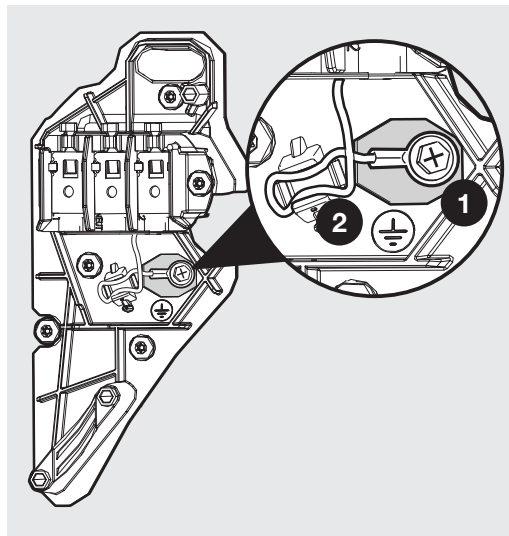
## NOTA

Los tornillos de los terminales se enviaron desde la fábrica temporalmente fijados dentro de la tapa de acceso.



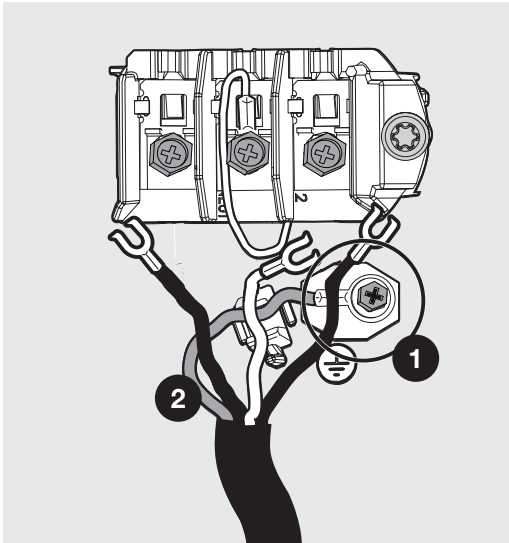
- 1 Tapa de acceso al bloque de terminales
- 2 Tornillo de la tapa de acceso
- 3 NO RETIRAR - el tornillo junto a este texto no debe retirarse.

3. Desconecte el cable interno (BLANCO) del mazo de cables de la secadora del tornillo de conexión a tierra (VERDE) que está junto al bloque de terminales.



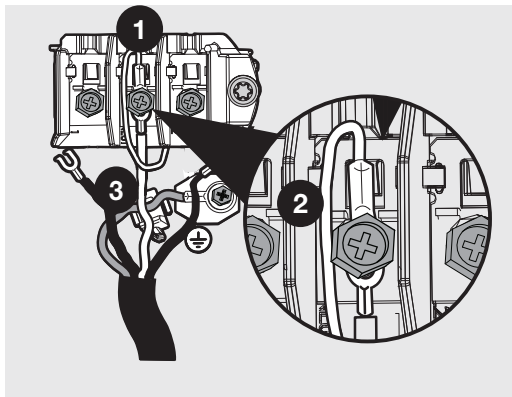
- 1 Masa interna (tornillo VERDE)
- 2 Mazo de cables interno de la secadora (cable BLANCO)

4. Usando un cable de alimentación de 30 amperios DESENCHUFADO y aprobado por UL, NEMA 14-30 tipo ST o SRDT, conecte el cable de alimentación de tierra (VERDE) al gabinete con el tornillo de tierra (VERDE). Apriete firmemente el tornillo.



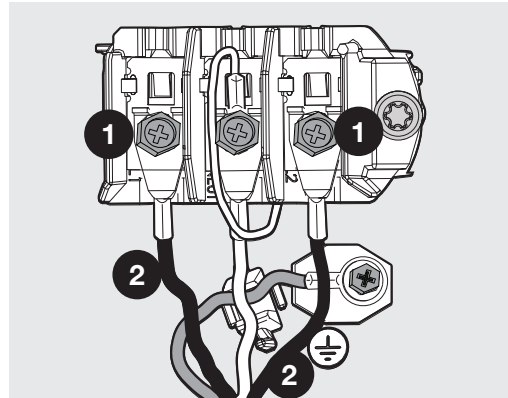
- 1 Tornillo VERDE de masa
- 2 Cable VERDE de masa

5. Mueva el cable del mazo de cables interno de la secadora (BLANCO) al bloque de terminales y conéctelo junto con el conductor del cable de alimentación neutro (BLANCO) al terminal central de color PLATA del bloque de terminales. Apriete firmemente el tornillo.



- 1 Terminal plateado neutro
- 2 Mazo de cables BLANCO interno
- 3 Cable BLANCO neutro

6. Asegure al exterior los conductores ROJO y NEGRO del cable de alimentación, los terminales de color BRONCE del bloque de terminales. Apriete firmemente los dos tornillos.



- 1 Terminal de cobre
- 2 Cable de alimentación NEGRO o ROJO

7. Vuelva a instalar la tapa de acceso al bloque de terminales.



## ADVERTENCIA

### RIESGO DE DESCARGA ELÉCTRICA

No haga una curva cerrada o engarce el cableado/conductor en las conexiones.



## ADVERTENCIA

### RIESGO DE DESCARGA ELÉCTRICA

No utilice la secadora sin la tapa del terminal en su lugar. Una tapa del bloque de terminales correctamente instalada también actúa como un alivio de tensión adecuado para el cable de alimentación.

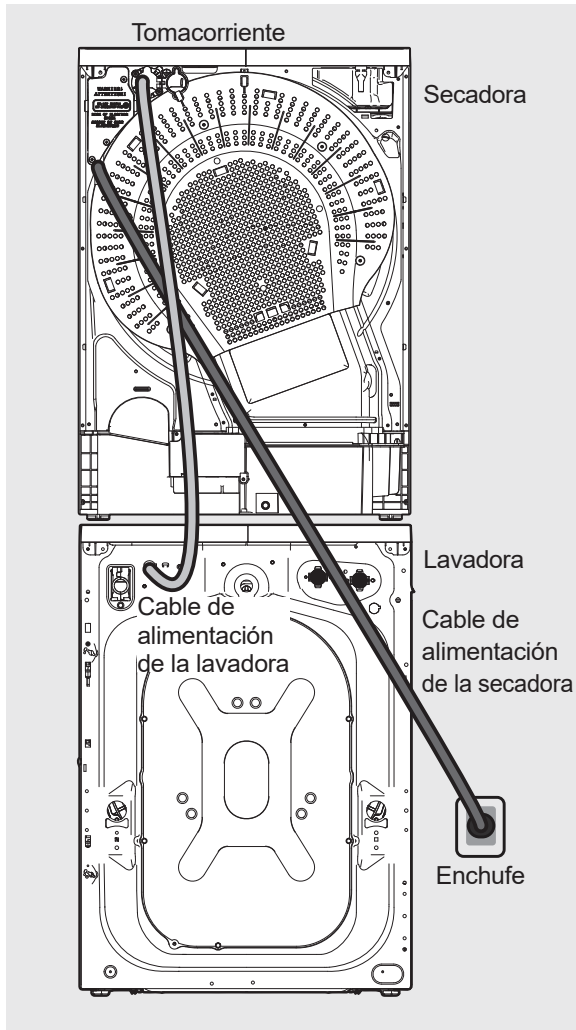


# 12 Instrucciones de instalación



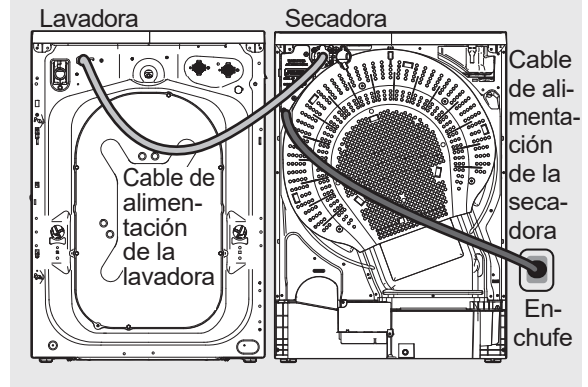
## NOTA

Si tiene una secadora compacta Electrolux con número de modelo ELFE4222AW o ELFE422CAW, puede optar por alimentar la lavadora compacta Electrolux a través de ella como se muestra. Consulte las ilustraciones.



## ADVERTENCIA

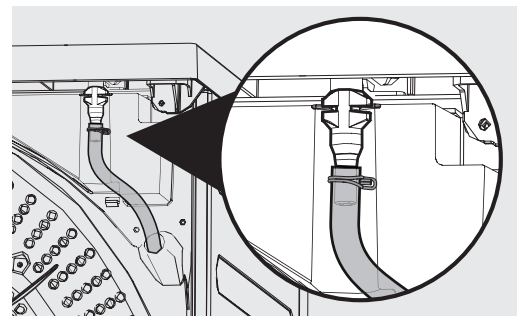
¡NO ES UN TOMACORRIENTE DE USO GENERAL! Solo para usar con los modelos de lavadoras Electrolux compatibles enumerados en esta Guía de uso y cuidado. Mantenga la salida cerrada si no hay un enchufe de la lavadora Electrolux compatible conectado a la secadora.



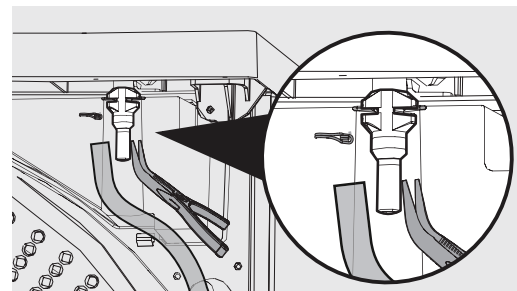
## Kit de desagüe directo (en algunos modelos)

Si su modelo incluía un kit de desagüe directo, puede seguir las siguientes instrucciones para instalarlo en su secadora para un vaciado conveniente del agua condensada de su secadora.

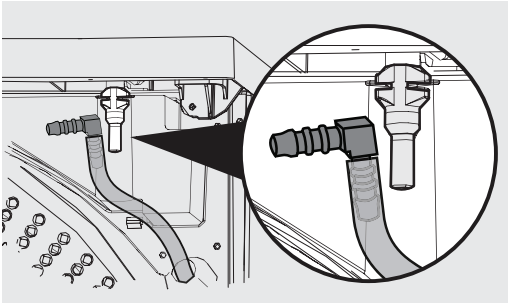
1. Localice el tubo rojo y el conector de plástico en la parte trasera de la secadora.



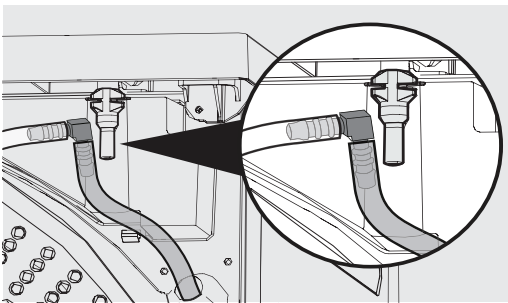
2. Con un par de alicates, suelte la abrazadera de la manguera y retire el tubo del conector de plástico.



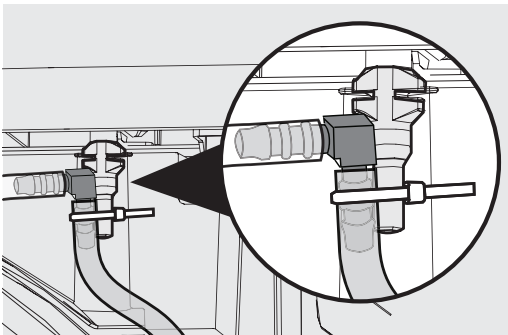
3. Recupere el codo de plástico de 90 grados del kit de instalación del desagüe directo suministrado con la secadora e instálelo en el tubo rojo.



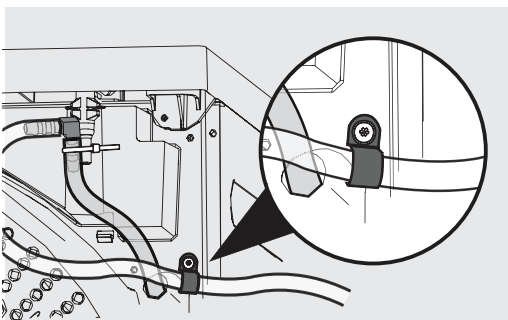
4. Recupere el tubo transparente suministrado en el kit e instálelo también en el codo.



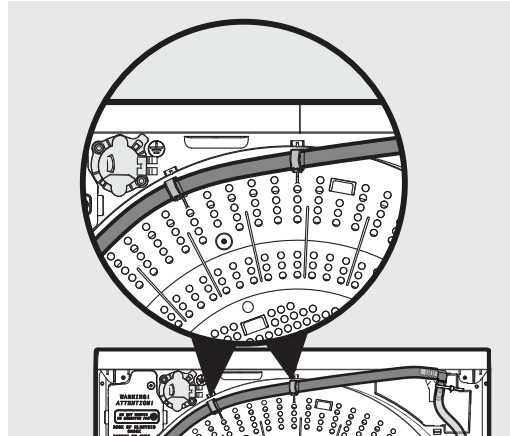
5. Con la brida para cables de plástico suministrada con el kit, asegure el codo y los tubos al conector de plástico.



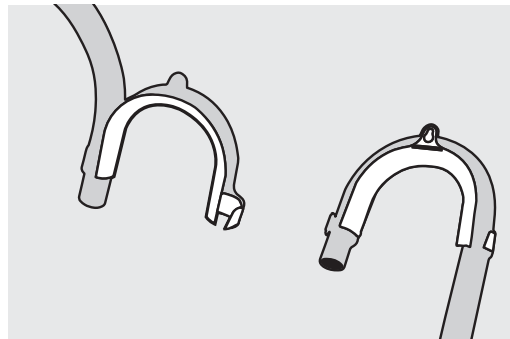
6. Para llevar el tubo de desagüe hacia la izquierda de la secadora, asegure el tubo con la abrazadera "P" del kit a la parte posterior de la secadora con el tornillo del gabinete que se muestra abajo.



7. Para llevar el tubo de desagüe a la derecha de la secadora, colóquelo en la parte posterior de la secadora y encájelo en los clips en forma de "C" que se muestran abajo.



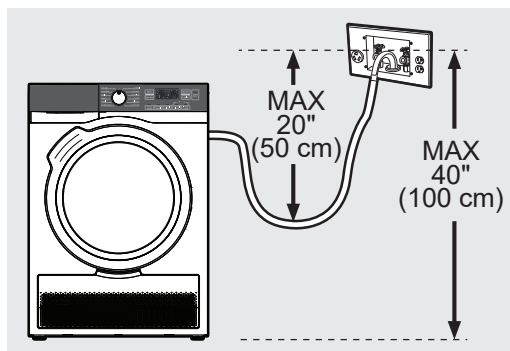
8. Instale el colgador de la manguera del kit en el extremo de la manguera e introdúzcalo en el desagüe.



## ➔ IMPORTANTE

Siga estas pautas para la correcta instalación de la manguera de desagüe:

1. La distancia desde la parte inferior de la caída del tubo de desagüe hasta la parte superior de la parte más alta del tubo de desagüe no debe ser superior a 50 cm.
2. Puede ser necesario acortar el tubo de desagüe con unas tijeras si la caída es mayor de lo permitido.
3. La ubicación de la altura del desagüe no debe estar a más de 100 cm (40") por encima de la parte inferior de las patas de la secadora.

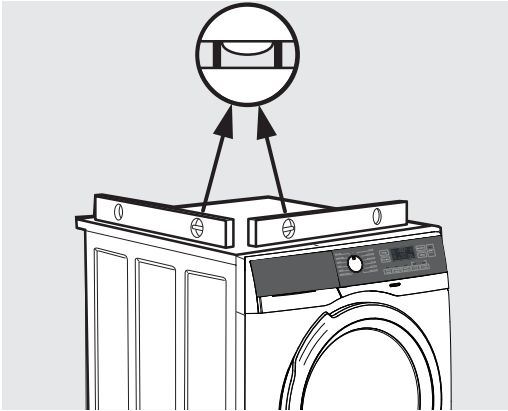




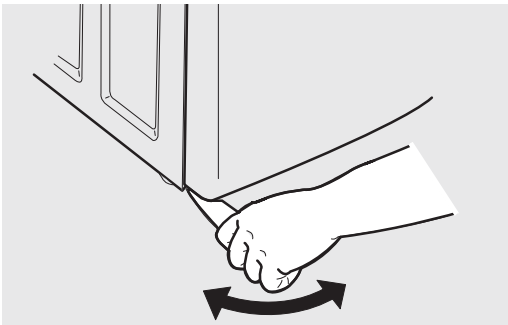
# 14 Instrucciones de instalación

## Instalación general

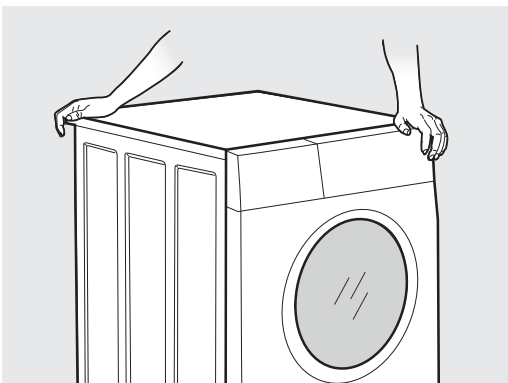
1. Use un nivel de carpintero para nivelar su secadora desde delante hacia atrás y de lado a lado.



2. Utilice unos alicates ajustables o una llave universal para aparatos (vea Accesorios) para ajustar las patas niveladoras de manera que la secadora esté nivelada de delante a atrás y de lado a lado, y estable de esquina a esquina.



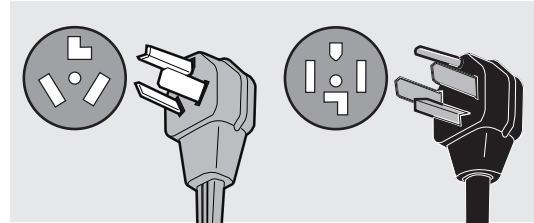
3. Haga presión alternando las esquinas y los lados y cerciórese de que no haya ningún movimiento. Ajuste la(s) pata(s) apropiada(s) para que la secadora se asiente sólidamente en el suelo sobre las cuatro patas. Mantenga la extensión de la pata niveladora al mínimo para un mejor rendimiento de la secadora.



## IMPORTANTE

Compruebe que la alimentación está apagada en un interruptor de circuito/caja de fusibles antes de enchufar el cable de alimentación en una toma de corriente.

4. Enchufe el cable de alimentación en una toma de corriente con conexión a tierra.

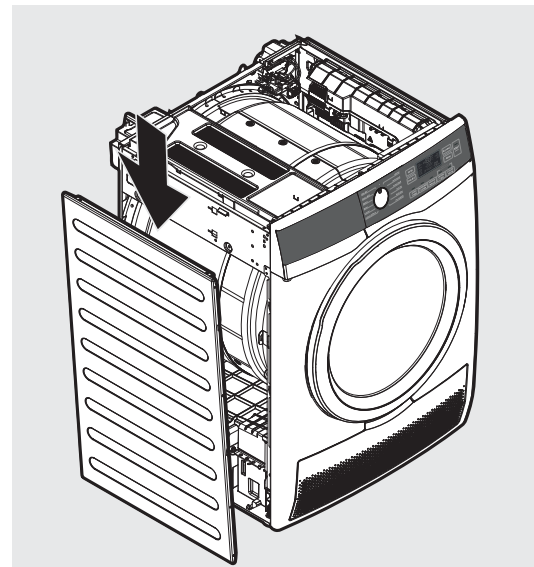


5. Conecte la alimentación eléctrica en el disyuntor del circuito/caja de fusibles.
6. Lea la Guía de uso y cuidado que se proporciona con la secadora. Contiene información valiosa y útil que le ahorrará tiempo y dinero.
7. Si tiene alguna pregunta durante la operación inicial, por favor revise la "Lista de verificación para evitar el servicio" en su Guía de uso y cuidado antes de solicitar asistencia.
8. Guarde estas instrucciones en un lugar cercano a la secadora para su futura consulta.

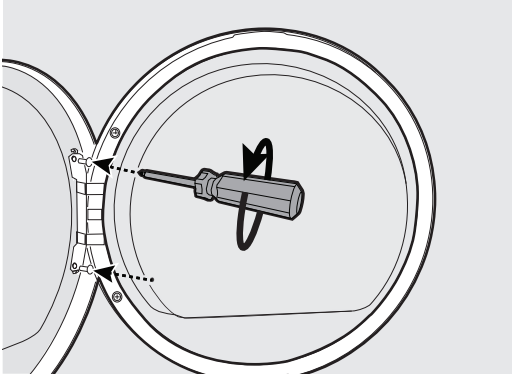


## NOTA

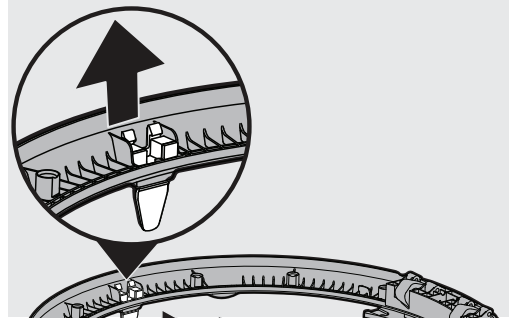
Junto al contenedor de agua, detrás del panel izquierdo del armario, se encuentra un diagrama de cableado.



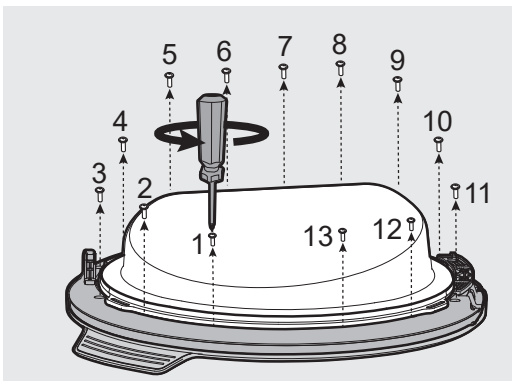
1. Localice una superficie de trabajo plana, como la parte superior de la secadora o el suelo cerca de la misma, y protéjala con un paño suave o una toalla.
2. Abra la puerta del secador y quite los dos tornillos de la bisagra. Retire primero el tornillo inferior y luego el superior.



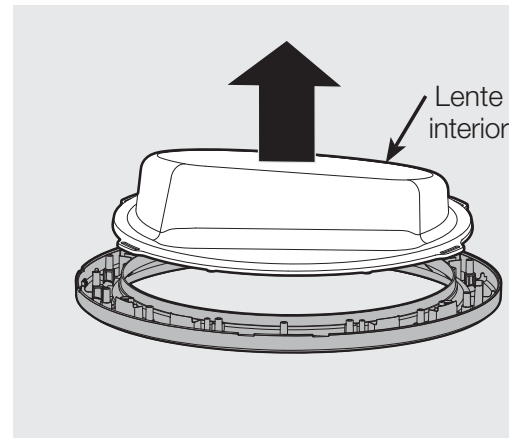
6. Suelte el interruptor de la puerta tirando de los dos cierres rápidos situados en la parte trasera del anillo interior de la puerta. Instale el percutor del interruptor de la puerta en el lugar opuesto (180 grados de su posición original en el anillo interior de la puerta). Ponga el anillo de la puerta interior a un lado.



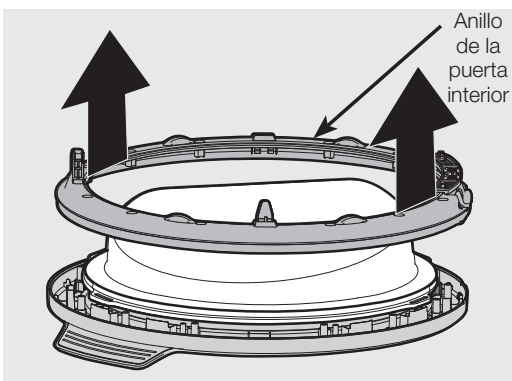
3. Ponga con cuidado la puerta de la secadora boca abajo sobre una superficie de trabajo plana y cubierta.
4. Localice los 13 tornillos del anillo interior de la puerta. Retire y guarde estos 13 tornillos.



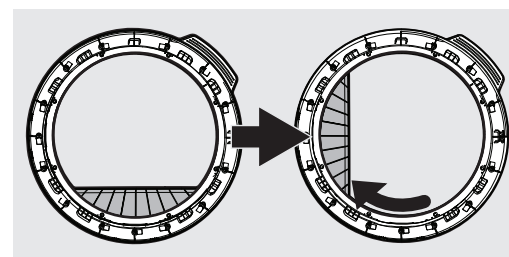
7. Levante la lente interior y póngala a un lado.



5. Separe el anillo interior de la puerta del resto de la puerta.

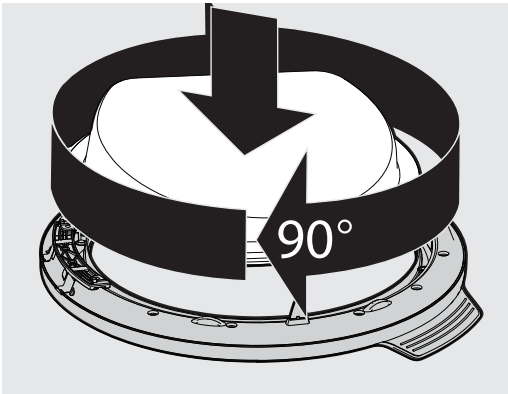


8. Levante y gire la pieza de adorno semicircular en el sentido de las agujas del reloj 90° desde su posición original y colóquela en las piezas de alineación de plástico disponibles.

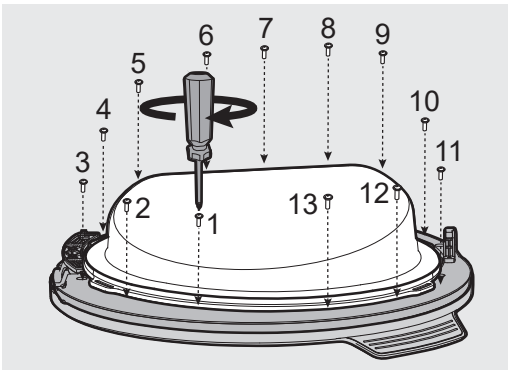


# 16 Inversión de la puerta

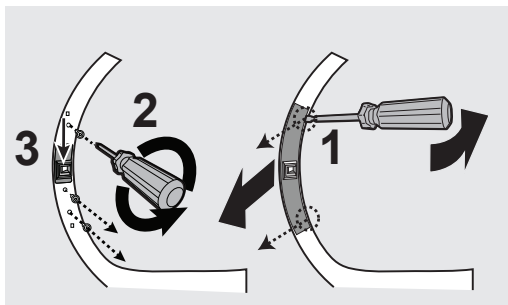
9. Gire la lente interior en el sentido de las agujas del reloj 90° desde su posición original y volver a colocarla en el conjunto de la puerta.



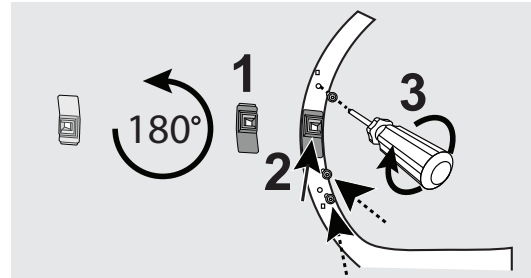
10. Gire el anillo de la puerta interior en sentido contrario a las agujas del reloj 90° desde su posición original y volver a colocarla con 13 tornillos retirados anteriormente.



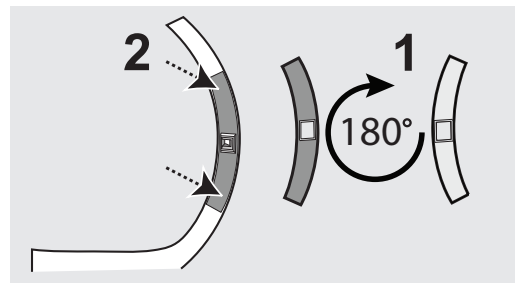
11. Levante suavemente la tapa de plástico del pestillo desde el panel frontal y déjela a un lado. Retire los 3 tornillos que aseguran el pestillo de la puerta y suelte el pestillo.



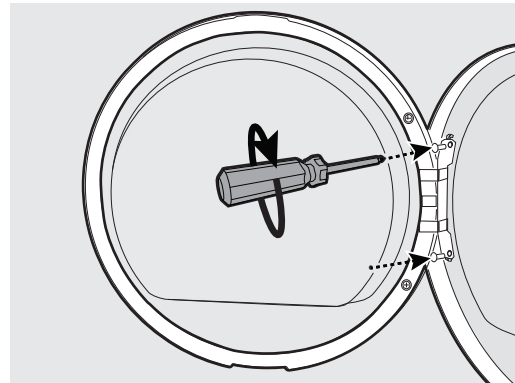
12. Gire el pestillo 180° y reinstálelo en el lugar opuesto con los 3 tornillos retirados en el paso anterior.



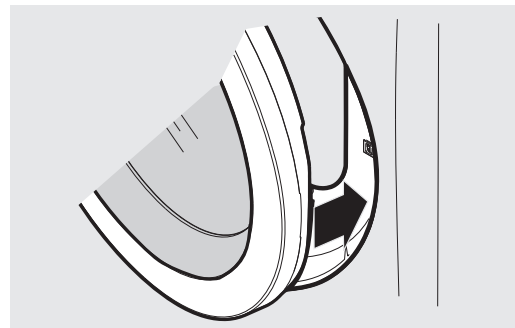
13. Gire la tapa de plástico del pestillo 180° y colóquela en su lugar alrededor del pestillo de la puerta.



14. Mientras sostiene la puerta, instale los 2 tornillos de montaje de la bisagra que se retiraron en el primer paso. Coloque primero el tornillo superior y después el inferior.



15. Cierre la puerta y pruebe el funcionamiento de la bisagra, la cerradura y el pestillo.



## KIT DE DESAGÜE DIRECTO

N° de pieza DK11

Dependiendo del modelo que haya adquirido, es posible que en la compra inicial de su secadora de condensación se haya incluido un kit de desagüe directo para el sistema de recogida de agua de la misma. Si su modelo no incluía un kit de desagüe directo, puede solicitar uno.

## KIT DE APILADO DE SECADORA

N° de pieza STACKIT24

Según el modelo que haya adquirido, es posible que en la compra inicial de su secadora se haya incluido un kit para apilarla sobre la lavadora correspondiente. Si su modelo no incluía un kit de apilado o desea otro kit de apilado, puede solicitar uno.

## LLAVE DE APARATO UNIVERSAL

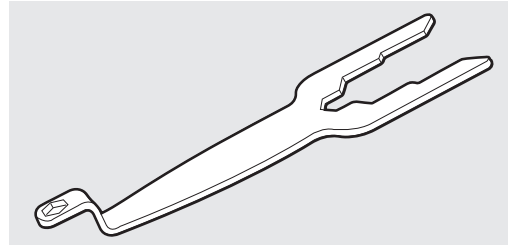
N° de pieza 137019200

Una LLAVE DE APARATO UNIVERSAL está disponible para ayudar en el ajuste de las patas de la secadora/lavadora.



## PRECAUCIÓN

Si no se utilizan los accesorios fabricados por (o aprobados por) el fabricante, se podrían producir lesiones personales, daños a la propiedad o daños en la secadora.



Llave de aparato universal

## Piezas de repuesto:

Si necesita piezas de repuesto para su lavadora, póngase en contacto con el establecimiento donde la adquirió o consulte la Guía de uso y cuidado para obtener más información.



## ADVERTENCIA

### RIESGO DE DESCARGA ELÉCTRICA

Etiquete todos los cables antes de desconectarlos cuando haga el mantenimiento de los controles. Los errores de cableado pueden causar un funcionamiento inadecuado y peligroso. Verifique el funcionamiento adecuado después del servicio.





**electrolux.com/shop**

