

EN FRONT LOAD DRYER

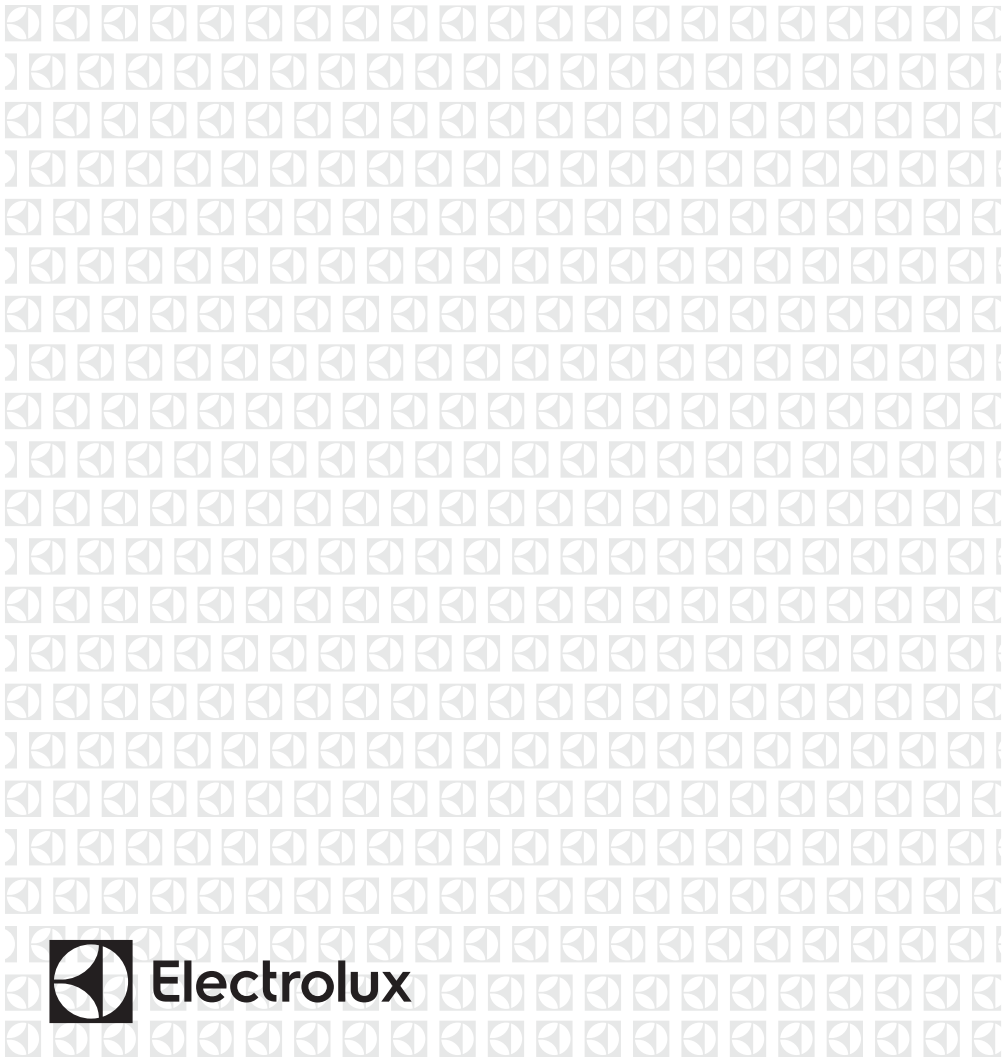
FR SÉCHEUSE À CHARGEMENT FRONTAL

ES SECADORA DE CARGA FRONTAL

USE & CARE GUIDE

GUIDE D'UTILISATION ET D'ENTRETIEN

GUÍA DE USO Y CUIDADO



2 Finding Information

Please read and save this guide

Thank you for choosing Electrolux, our premium brand in home appliances. This *Use & Care Guide* is part of our commitment to customer satisfaction and product quality throughout the service life of your new appliance.

We view your purchase as the beginning of a relationship. To ensure our ability to continue serving you, please use this page to record important product information.

Keep a record for quick reference

Purchase date

Electrolux model number

Electrolux serial number

Electrolux model series*

*The series number can be found within the Model number (example EFM627UIW = 600 series)



NOTE

Registering your product with Electrolux enhances our ability to serve you. You can register online at www.electrolux-appliances.com, by sending your Product Registration Card in the mail, or PHOTOREGISTERSM using a smart phone. See *registration card* for details.

Table of Contents

Finding Information	2
Safety	3
Features	7
Operating Instructions	9
Controls and Settings	11
Care & Cleaning.....	20
Solutions to Common Inquiries	22
Warranty Information	26
Notes	27



NOTE

The instructions appearing in this *Use & Care Guide* are not meant to cover every possible condition and situation that may occur. Common sense and caution must be practiced when installing, operating and maintaining any appliance.

Questions?

For toll free telephone support or online support in the US and Canada contact:

U.S.

1-877-4ELECTROLUX (1-877-435-3287)
www.electroluxappliances.com

Canada

1-800-265-8352
www.electroluxappliances.ca

Read all instructions before operating this dryer.

SAVE THESE INSTRUCTIONS FOR FUTURE REFERENCE.

Important Safety Instructions



WARNING

FIRE OR EXPLOSION HAZARD

Failure to follow safety warning exactly could result in serious injury, death, or property damage.


DO NOT store or use gasoline or other flammable vapors and liquids in the vicinity of this or any other appliance.

WHAT TO DO IF YOU SMELL GAS:

- **DO NOT try to light any appliance.**
- **DO NOT touch any electrical switch; DO NOT use any phone in your building.**
- **Clear the room, building or area of all occupants.**
- **Immediately call your gas supplier from a neighbor's phone. Follow the gas supplier's instructions.**
- **If you cannot reach your gas supplier, call the fire department.**
- **Installation and service must be performed by a qualified installer, service agency or the gas supplier.**

4 Safety

Definitions

 This is the safety alert symbol. It is used to alert you to potential personal injury hazards. Obey all safety messages that follow this symbol to avoid possible injury or death.



DANGER

DANGER indicates an imminently hazardous situation which, if not avoided, will result in death or serious injury.



WARNING

WARNING indicates a potentially hazardous situation which, if not avoided, could result in death or serious injury.



CAUTION

CAUTION indicates a potentially hazardous situation which, if not avoided, may result in minor or moderate injury.



IMPORTANT

Indicates installation, operation, or maintenance information which is important but not hazard-related.



WARNING

FIRE HAZARD

To reduce the risk of fire, electrical shock, or injury to persons when using this dryer, comply with the basic warnings listed below. Failure to comply with the Important Safety Instruction warnings could result in property damage, serious personal injury, or death.

Prevent Fire

- DO NOT dry items that have been previously cleaned in, soaked in, or spotted with gasoline, cleaning solvents, kerosene, waxes, or other flammable or explosive substances. DO NOT store these items on or near the dryer. These substances give off vapors that could ignite or explode.

- DO NOT place items exposed to cooking oils in your dryer. Items contaminated with cooking oils may contribute to a chemical reaction that could cause a load to catch fire. To reduce the risk of fire due to contaminated loads, the final part of a tumble dryer cycle occurs without heat (cool down period). Avoid stopping a tumble dryer before the end of the drying cycle unless all items are quickly removed and spread out so that the heat is dissipated.
- DO NOT dry articles containing rubber, plastic or similar materials such as bras, galoshes, bath mats, rugs, bibs, baby pants, plastic bags and pillows that may melt or burn. Some rubber materials, when heated, can under certain circumstances produce fire by spontaneous combustion.
- DO NOT operate the dryer if the lint screen is blocked, damaged or missing. Fire hazard, overheating and damage to fabrics can occur.
- DO NOT obstruct the flow of ventilating air. DO NOT stack or place laundry or throw rugs against the front or back of the dryer.



WARNING

FIRE HAZARD

Clean the lint screen before or after each load. The interior of the dryer, lint screen housing and exhaust duct should be cleaned approximately every 18 months by qualified service personnel. An excessive amount of lint build-up in these areas could result in inefficient drying and possible fire. See *Care and Cleaning*.



WARNING

FIRE HAZARD

A clothes dryer produces combustible lint. The dryer must be connected to an outdoor exhaust. Regularly inspect the outdoor exhaust opening and remove any accumulation of lint around the opening and in the surrounding area.

- DO NOT spray any type of aerosol into, on or near dryer at any time.

- DO NOT use fabric softeners or products to eliminate static unless recommended by the manufacturer of the fabric softener or product.



WARNING

DO NOT continue to use the dryer if you hear squeaking, grinding, rubbing or other unusual noises. This could be a sign of mechanical breakdown and lead to fire or serious injury. **Contact a qualified technician immediately.**

- Failure to comply with these warnings could result in fire, explosion, serious bodily injury and/or damage to the dryer.

Protect Children

- DO NOT allow children to play on or in the dryer. Close supervision of children is necessary when the dryer is used near children. As children grow, teach them the proper, safe use of all appliances.
- Destroy the carton, plastic bag and other packing materials after the dryer is unpacked. Children might use them for play. Cartons covered with rugs, bedspreads or plastic sheets can become airtight chambers.
- Keep laundry products out of children's reach. To prevent personal injury, observe all warnings on product labels.
- Before the dryer is removed from service or discarded, remove the dryer door to prevent accidental entrapment.
- Failure to comply with these warnings could result in serious personal injuries.

Prevent Injury

- To prevent shock hazard and assure stability during operation, the dryer must be installed and electrically grounded by a qualified service person in accordance with local codes. Installation instructions are packed in the dryer for the installer's reference. Refer to *Installation Instructions* for detailed grounding procedures. If the dryer is moved to a new location, have it checked and reinstalled by a qualified service person.

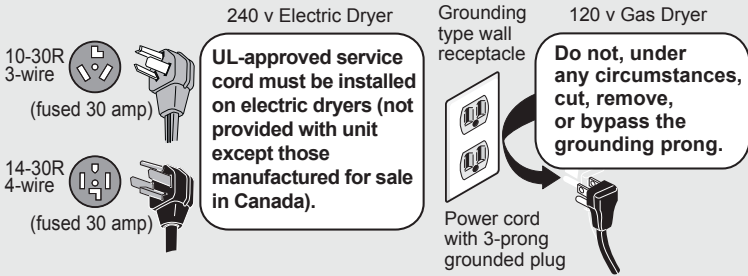
- To prevent personal injury or damage to the dryer, the electrical power cord of a gas dryer must be plugged into a properly grounded and polarized 3-prong outlet. The third grounding prong must never be removed. Never ground the dryer to a gas pipe. DO NOT use an extension cord or an adaptor plug.
- ALWAYS disconnect the dryer from the electrical supply before attempting any service or cleaning. Failure to do so can result in electrical shock or injury.
- DO NOT use any type of spray cleanser when cleaning dryer interior. Hazardous fumes or electrical shock could occur.
- To prevent injury, DO NOT reach into the dryer if the drum is moving. Wait until the dryer has stopped completely before reaching into the drum.

Prevent Injury And Damage To The Dryer

- All repairs and servicing must be performed by an authorized service provider unless specifically recommended in this *Use & Care Guide*. Use only authorized factory parts.
- DO NOT tamper with controls.
- DO NOT sit on, step on or stand on the dryer. DO NOT rest heavy loads on top. The dryer is not meant to support weight.
- DO NOT install or store the dryer where it will be exposed to the weather.
- Thermal limiter switches automatically turn off the motor in the unlikely event of an overheated situation. A service technician must replace the thermal limiter switch(es) after correcting the fault.
- Failure to comply with these warnings could result in serious personal injuries.

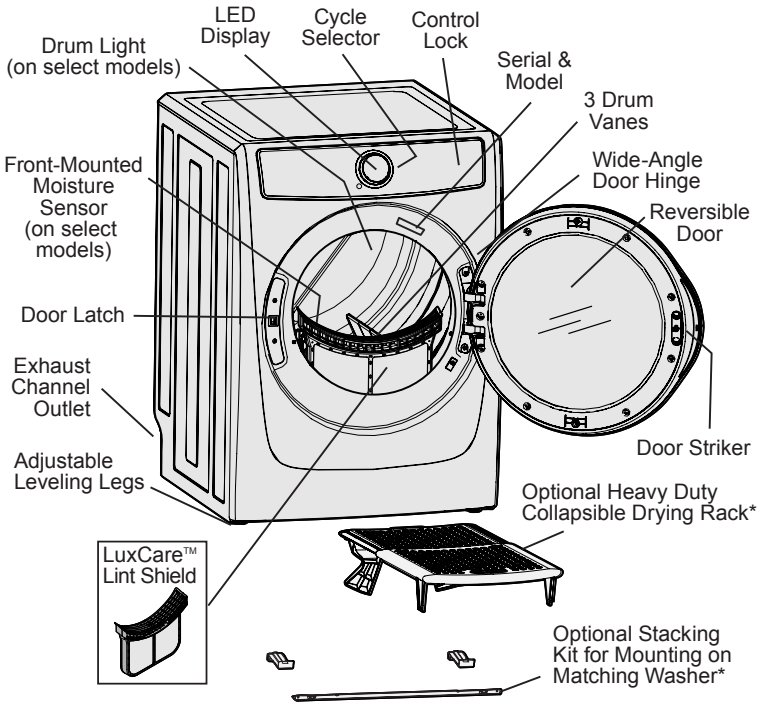
**WARNING****FIRE/ELECTRICAL SHOCK HAZARD**

Avoid fire hazard or electrical shock. DO NOT use an adaptor plug or extension cord or remove grounding prong from electrical power cord. Failure to follow this warning can cause serious injury, fire, or death.

**CAUTION**

The California Safe Drinking Water and Toxic Enforcement Act requires the Governor of California to publish a list of substances known to the state to cause cancer, birth defects or other reproductive harm, and requires businesses to warn customer of potential exposure to such substances. Included in this list are soot and carbon monoxide, both of which may be produced by the use of this product.

READ ALL INSTRUCTIONS BEFORE OPERATING THIS DRYER.



*Not included with initial purchase. May be purchased as accessory.

Not all cycles, options, or features listed are available on every model. Refer to the table below for an overview of features available for each model series.

	drum light	door reversibility	front mounted moisture sensor bars	PredictiveDry	LuxCare™ Lint Shield filter	perfect steam	anti-static	fast dry	extended tumble
--	------------	--------------------	------------------------------------	---------------	-----------------------------	---------------	-------------	----------	-----------------

300 Series	no	yes	yes	no	yes	no	no	no	no
400 Series	yes	yes	yes	no	yes	yes	no	20 ^{min}	no
500 Series	yes	yes	no	yes	yes	yes	yes	18 ^{min}	yes
600 Series	yes	yes	no	yes	yes	yes	yes	15 ^{min}	yes

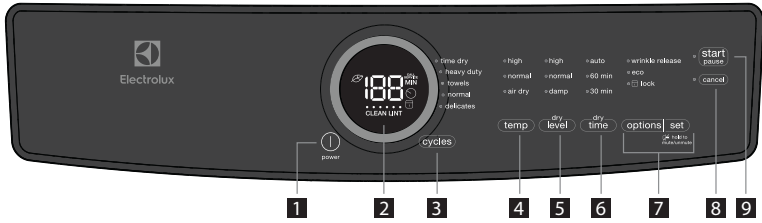
A full listing of available settings for each model and detailed explanations of their settings and options are described on the following pages:

Setting Chart - 300 Series Dryer	11	Cycle Selection	15
Setting Chart - 400 Series Dryer	12	Cycle Settings	16
Setting Chart - 500 Series Dryer	13	Cycle Options	17
Setting Chart - 600 Series Dryer	14	Other Features	18

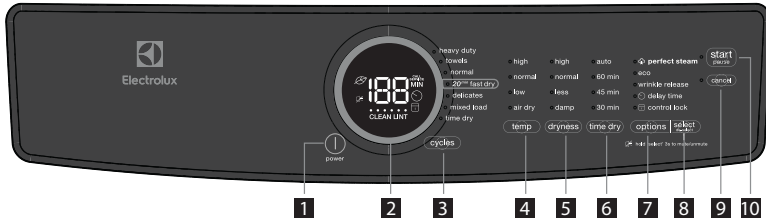
8 Features

Model Series

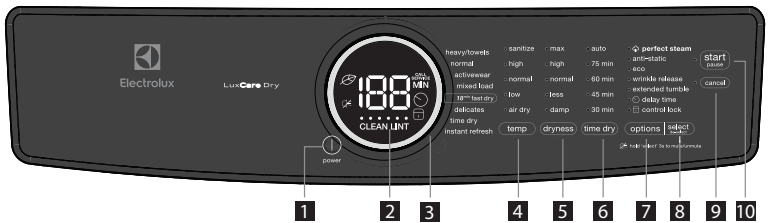
300 SERIES



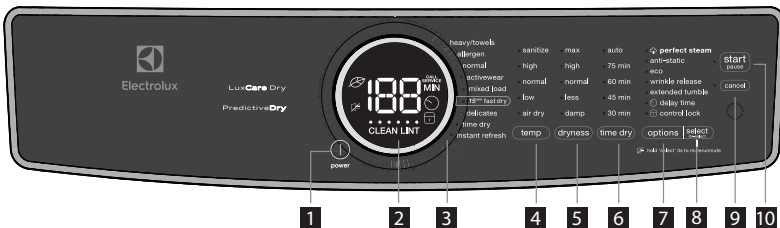
400 SERIES



500 SERIES



600 SERIES



- | | | |
|-------------------------------|------------------------------|------------------------------|
| 1 power | 2 cycle LED display | 3 cycle selector |
| 4 temperature | 5 dryness (dry level) | 6 time dry (dry time) |
| 7 options/select (set) | 8 cancel | 9 start/pause |

This manual covers many models and not all cycles, options, or features listed are available on every model. Consoles shown above for reference only. Your model may differ.

Operating Your Dryer



WARNING

To reduce the risk of fire, electric shock or injury to persons, read the IMPORTANT SAFETY INSTRUCTIONS in this *Use & Care Guide* before operating your dryer.



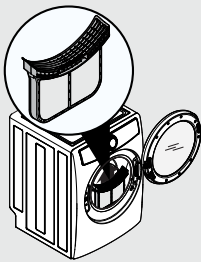
WARNING

DO NOT operate dryer without lint filter in place.



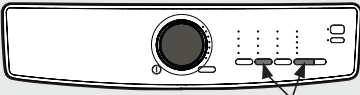
WARNING

Clean the lint filter after every load.

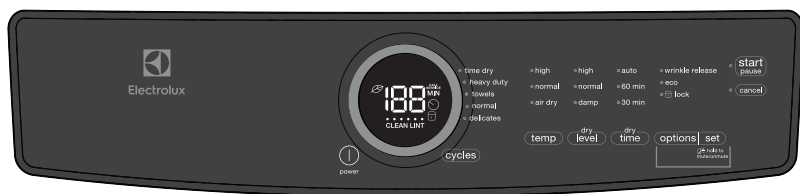
STEPS	TIPS	IMPORTANT
<p>1. Prepare load for drying.</p>	<ul style="list-style-type: none"> • Dry items of similar fabric, weight and construction in the same load. • Separate dark items from light-colored items. Separate items that shed lint from those that attract lint. • Check for stains which may not have been removed in washing. Repeat stain removal process and wash again before drying. Dryer heat may permanently set some stains. • Place delicate, rubber coated, or small items in a mesh bag (not included). • Be sure buckles, buttons and trim are heat-proof and won't damage the drum finish. Close zippers; fasten hooks and loop fasteners. Tie strings and sashes to prevent snagging and tangling. 	<p>DO NOT machine wash items containing fiberglass. Small particles of fiberglass left in drum may transfer to fabrics in other loads and cause skin irritation and/or damage to fabrics.</p> <p>DO NOT wash water resistant and water repellent type clothing or other materials.</p>
<p>2. Check that the lint filter is clean and in place.</p>		<p>DO NOT operate dryer without lint filter in place.</p>
<p>3. Load the dryer and close the door.</p>	<ul style="list-style-type: none"> • Load items loosely. The average wet load will fill the drum 1/3 to 1/2 full. Items need room to tumble freely for even drying and less wrinkling. • If desired, place a dryer fabric softener sheet on top of the load at the beginning of the cycle. • When drying large items, dry only two or three items at a time. Fill out the load with smaller items. • For delicate or very small loads, add two or three similar items to improve tumbling action. 	<p>DO NOT overload the dryer. To save energy, time and avoid uneven drying and wrinkling avoid overloading the dryer.</p> <p>DO NOT over-dry. Over-drying can cause wrinkles, shrinkage, lint, and a build up of static electricity.</p>

10 Operating Instructions

Operating Procedures (continued)

STEPS	TIPS	IMPORTANT
<p>4. Select the appropriate cycle and settings for each load.</p>	<ul style="list-style-type: none"> • See <i>Cycle Selection</i> and <i>Cycle Settings</i> for detailed descriptions of cycle controls. • See <i>Cycle Setting Charts</i> to determine which settings are available for each cycle. • To provide the best care, not every setting or option is available with every cycle. If a setting or option is not available for the cycle selected, the indicator will not light. See <i>Setting Chart</i> for information of available options for each cycle by model. • Adjustments made to most cycle settings will be remembered and recalled each time that cycle is selected in the future. To return to factory settings, press the dryness button and the options button at the same time and hold until the signal sounds. 	<p>Over-drying can cause wrinkles, shrinkage, lint, harshness, and a build up of static electricity.</p> <p>To prevent unintentional and accidental exposure of delicate material to excess heat or unexpected steam, the sanitize temperature setting and the perfect steam™ option will not be remembered and must be re-selected each time.</p>
<p>5. Close the dryer door and start the drying cycle.</p>	<ul style="list-style-type: none"> • To start the drying cycle, close the door and press the start/pause button. • To add an item to the dryer drum, press start/pause. Add the item, close the door and press start/pause to resume the cycle. • To change settings or options after the cycle has begun, press start/pause, change the settings, and then press start/pause. If the cycle is not paused first, the unit will emit several beeps when the buttons are pressed but no changes to the cycle will be applied. • To change the cycle once the cycle has begun, press cancel to cancel the cycle, select the new cycle, and press start/pause to begin the new cycle. Changing a cycle selection without cancelling the current WILL NOT change the cycle. • To cancel a cycle, press cancel. 	<p>The dryer WILL NOT operate with the door open.</p> <p>When drying a single large or bulky item, such as a comforter, pause the cycle part way through to turn the item “inside out” and maximize drying effectiveness.</p>
<p>6. Remove items when done.</p>	<ul style="list-style-type: none"> • A signal will sound at the end of the cycle if the chime option is not set to mute. • Immediately remove items when the cycle is completed and hang or fold. 	<p>See product manufacturer's instructions.</p>
<p>7. Clean the lint filter.</p>	<ul style="list-style-type: none"> • See <i>Care and Cleaning</i> section of this instruction. • CLEAN LINT will be displayed at the end of the cycle as a reminder to remove lint from filter. 	<p>ALWAYS REMOVE LINT at the end of the cycle (see warning on previous page).</p>

Setting Chart - 300 Series Dryer



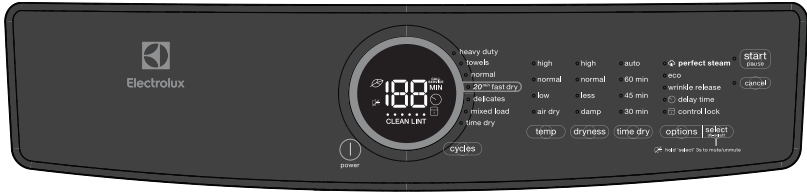
These temperature, dryness levels and options are available with the following cycles:

		CYCLE SELECTIONS				
		dry time	heavy duty	towels	normal	delicates
CYCLE SETTINGS	temperature (temp)					
	high	✓	✓	✓	✓	
	normal	✓	✓	✓	✓	■
	air dry	✓				
	dry level (dryness)					
	high		■	✓	✓	
	normal			✓	✓	✓
	damp				✓	✓
	dry time (dry time)					
	auto		■	■	■	■
60 min	✓					
30 min	✓					
CYCLE OPTIONS	options					
	wrinkle release	✓	✓		✓	✓
	eco		✓	✓	■	✓
	control lock	✓	✓	✓	✓	✓
	press & hold chime	✓	✓	✓	✓	✓

✓ = Available selections. □ = Factory presets. ■ = Non-modifiable presets.

12 Controls and Settings

Setting Chart - 400 Series Dryer



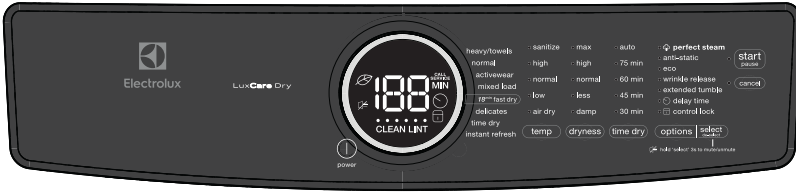
These temperature, dryness levels and options are available with the following cycles:

CYCLE SELECTIONS

	heavy duty	towels	normal	20 ^{min} fast dry	delicates	mixed load	time dry
temperature (temp)							
high	✓	✓		■		✓	✓
normal	✓	✓	✓			✓	✓
low			✓		■	✓	✓
air dry							✓
dry level (dryness)							
high	■	✓	✓			✓	
normal		✓	✓		✓	✓	
less			✓		✓	✓	
damp			✓		✓	✓	
dry time (dry time)							
auto dry	■	■	■		■	■	
60 min							✓
45 min							✓
30 min							✓
options							
perfect steam™			✓		✓	✓	
wrinkle release	✓		✓		✓	✓	✓
eco	✓	✓	■		✓	✓	
delay time	✓	✓	✓	✓	✓	✓	✓
press & hold chime	✓	✓	✓	✓	✓	✓	✓
control lock	✓	✓	✓	✓	✓	✓	✓

✓ = Available selections. □ = Factory presets. ■ = Non-modifiable presets.

Setting Chart - 500 Series Dryer



These temperature, dryness levels and options are available with the following cycles:

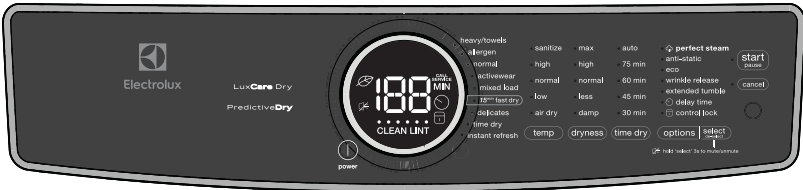
CYCLE SELECTIONS

	heavy/ towels	normal	active wear	mixed load	18 ^{min} fast dry	delicates	time dry	instant refresh
temperature (temp)								
sanitize	✓						✓	
high	✓			✓	✓		✓	✓
normal	✓	✓	✓	✓			✓	
low		✓	✓	✓		✓	✓	
air dry							✓	
dry level (dryness)								
max	✓	✓						
high	✓	✓	✓	✓				
normal	✓	✓	✓	✓		✓		
less		✓	✓	✓		✓		
damp		✓		✓		✓		
dry time (dry time)								
auto dry	✓	✓	✓	✓	✓	✓		
75 min							✓	
60 min							✓	
45 min							✓	
30 min							✓	
options								
anti-static	✓	✓		✓		✓		
perfect steam™		✓		✓		✓		✓
wrinkle release	✓	✓		✓		✓		
extended tumble	✓	✓		✓	✓	✓	✓	
eco	✓	✓	✓	✓		✓		
delay time	✓	✓	✓	✓	✓	✓	✓	✓
press & hold chime	✓	✓	✓	✓	✓	✓	✓	✓
control lock	✓	✓	✓	✓	✓	✓	✓	✓

✓ = Available selections. ◻ = Factory presets. ◼ = Non-modifiable presets.

14 Controls and Settings

Setting Chart - 600 Series Dryer



These temperature, dryness levels and options are available with the following cycles:

CYCLE SELECTIONS

	heavy/ towels	allergen	normal	active wear	mixed load	15min fast dry	delicates	time dry	instant refresh
temperature (temp)									
sanitize	✓							✓	
high	✓	✓			✓	✓		✓	✓
normal	✓		✓	✓	✓			✓	
low			✓	✓	✓		✓	✓	
air dry								✓	
dry level (dryness)									
max	✓	✓	✓						
high	✓		✓	✓	✓				
normal	✓		✓	✓	✓		✓		
less			✓	✓	✓		✓		
damp			✓		✓		✓		
time dry (dry time)									
auto dry	✓	✓	✓	✓	✓	✓	✓		
75 min								✓	
60 min								✓	
45 min								✓	
30 min								✓	
options									
anti-static	✓		✓		✓		✓		
perfect steam™			✓		✓		✓		✓
wrinkle release	✓		✓		✓		✓	✓	
extended tumble	✓	✓	✓		✓	✓	✓	✓	
eco	✓		✓	✓	✓		✓		
delay time	✓	✓	✓	✓	✓	✓	✓	✓	✓
press & hold chime	✓	✓	✓	✓	✓	✓	✓	✓	✓
control lock	✓	✓	✓	✓	✓	✓	✓	✓	✓

✓ = Available selections. ◻ = Factory presets. ◼ = Non-modifiable presets.

Cycle Selection



SELECTING THE RIGHT CYCLE TO SAVE ENERGY

This dryer has been specifically designed with options to help you save energy and at the same time utilize the optimal drying setting for your clothing.

The normal cycle was used to rate the dryer for energy efficiency. The normal cycle defaults to normal temperature setting, normal dryness level and eco mode option (if available) on.

Some cycles save more energy than others. Cycles that use the least amount of heat save the most energy. Use the lowest heat setting (auto and timed dry cycles) and less dry setting (auto dry cycles) to save on energy and prevent over drying your clothing.

Press the **power** button to turn on the unit. Turn the cycle selector in either direction or repeatedly press the cycles button (depending on your model) to scroll to the desired cycle. The indicator light for the cycle selected will be illuminated and the estimated drying time for Auto Dry cycles or the actual drying time for Time Dry cycles will be displayed on the LED display screen.

Default settings and options will automatically be indicated for the cycle selected. In most cases cycle settings and options can be changed. See *Cycle Settings*, *Cycle Options*, and *Setting Charts* for more details.

To change the cycle once it has begun, press the cancel button before selecting a new cycle. Just turning the cycle selector ring or pressing the cycles button WILL NOT change the cycle.

Auto Dry Cycles

Auto dry cycles take the guesswork out of selecting the correct drying time for each load. Moisture sensors sense the moisture level of the load as it tumbles through the heated air. With Auto Dry cycles, the load will automatically be dried at the selected temperature to the desired dryness level.

Auto Dry cycles save time and energy and protect fabrics. When the load has reached the selected dryness level, it will continue to tumble, unheated, during a cool down period. This helps reduce wrinkling and makes items easier to handle during unloading.



NOTE

Initial cycle times for Auto Dry Cycles are only estimates, the actual drying time may differ slightly from the time displayed.

Drying times vary depending on size and dampness of the load and fabric type. If the load is too small or almost dry, the

moisture sensors may not detect enough moisture to continue the cycle and the cycle may end after a few minutes. If this occurs, then select the **time dry** cycle to dry such loads.

Room temperature and humidity, type of installation and electrical voltage or gas pressure can also affect drying time.

heavy duty (on select models)

Select this cycle to dry durable fabrics such as jeans and overalls.

towels (on select models)

Select this cycle to dry heavy loads such as towels and non-rubber-backed bath mats.

heavy/towels (on select models)

Select this cycle to dry heavy loads and durable fabrics such as towels, jeans and overalls.

allergen (on select models)

Select this cycle where you wish to reduce allergens as you dry your load. Items prone to heat damage are not recommended for this cycle.

normal

Select this cycle to dry everyday fabrics including cottons, linens and sheets.

active wear (on select models)

Select this cycle to dry lightweight synthetic athletic apparel including stretch fabrics.

delicates

Select this cycle to dry knits and delicates.

mixed load (on select models)

Select this cycle to dry loads containing a mix of fabrics.

Timed Dry Cycles

The timed drying cycles allow the selection of exact drying times. The **time dry** cycle allows the option to select drying time settings ranging from **30** to **75** minutes (depending on the model). Various drying

16 Controls and Settings

times and temperature settings can be selected when using this cycle.

The **fast dry** cycles (on select models) have preset times of **15, 18** or **20** minutes (dependent on model) with a preset temperature of **high** only.

Dryness levels will not be an available option when using either of the timed drying cycles.



WARNING

FIRE HAZARD

To avoid fire hazard, DO NOT use heat to dry items containing feathers or down, foam rubber, plastics similarly textured, rubber-like materials. Use the **time dry** cycle and the **air dry** (no heat) setting.

time dry

Select this cycle to manually set the drying time from **30** to **75** minutes (depending on model) for any load.

20^{min} fast dry (400 series model)

Select this cycle to quickly dry small loads in 20 minutes.

18^{min} fast dry (500 series model)

Select this cycle to quickly dry small loads in 18 minutes.

15^{min} fast dry (600 series model)

Select this cycle to quickly dry small loads in 15 minutes.

instant refresh (on select models)

Select this cycle to refresh fabrics, remove odors and reduce static by injecting the perfect amount of steam into clothing that has been left in the dryer, stored in crowded closets, drawers, or unpacked luggage.



NOTE

It is not recommended to use fabric softener sheets with steam cycles or steam options as it may cause staining on clothes.

Cycle Settings

To set or change the drying temperature, dryness level, or drying time press the **temp**, **dryness** or **time dry** buttons to scroll to the desired settings. The indicator light for each setting will be illuminated when selected.

To protect your fabrics, not all temperatures or dryness levels are available with

every cycle. If a temperature or dryness level is not appropriate for the cycle, it cannot be selected and will not be lit when scrolling through the settings.



NOTE

To change a cycle setting once the cycle has begun, press the **start/pause** button, make the new selection and press **start/pause** again.

With exception of the **sanitize** temperature setting and the **perfect steamtm** option, adjustments made to cycle settings and options will be remembered and recalled each time that cycle is selected in the future.



To return to factory settings, press the **dryness** and **options** buttons at the same time and hold until the signal sounds.

Drying Temperature (temp)

To change the temperature, press the **temp** button to scroll to the desired setting.



For best results

Follow the fabric care label instructions on items to be dried.

sanitize (on select models)

Recommended for durable fabrics and towels. Use this selection to remove harmful bacteria from your clothing or other items where sanitization is desired. This option will kill 99.9% of bacteria. A higher temperature is required to kill bacteria. Please check fabric care labels to prevent damage.

high

Recommended for most cotton fabrics.

normal

Recommended for wrinkle free, easy care, lightweight fabrics and bulky loads.

low (on select models)

Recommended for delicate fabrics.

air dry

This setting (no heat) should only be used with a time dry cycle to dry items containing feathers, down, foam rubber, plastics or rubber-like materials; to refresh clothing, stuffed animal, pillows or blankets; and to dust draperies.

Dryness Level (dryness)

To set or change the dryness level, press the **dryness** button to scroll to the desired setting.

The dryness levels include **max** (on select models), **high**, **normal**, **less** (on select models), and **damp**. Most Auto Dry cycles default to the **normal** dryness level.

Occasionally a load may seem too damp or over-dried at the end of the cycle. To increase drying time for similar loads in the future, select **high** or **max** (on select models). To decrease drying time for similar loads, select **less** (on select models).

Select **damp** for items you wish to partially dry before hanging or ironing.

Drying time (time dry)

Manually select or change the drying time for a **time dry** cycle (on select models) by pressing the **time dry** button to scroll through the available options. Time dry options include **30**, **45**, **60** and **75** minutes (dependent on model).

The **auto** selection is a default for all **auto dry** cycles and **fast dry** cycles and cannot be selected or changed. All actual or predicted dry times will count down on the LED display.

Cycle Options

To select an option, press **options** and scroll through the options until the indicator light for the desired option flashes, then press **select (set)**. The indicator will illuminate when the option has been selected. Follow the same steps to deselect an option. The indicator light will turn off when the option is deselected.



NOTE

To change a cycle option once the cycle has begun, press the **start/pause** button, make the new selection and press **start/pause** again.

To protect your fabrics, not all options are available with every cycle. If an option is not available for a cycle, the indicator will not light.

Occasionally, two options or settings in the same cycle will conflict with each other, like

eco option and **sanitize** temperature (on select models). When this happens, the option selected first will cause the conflicting option to not be selectable.



perfect steam™ (on select models)

The **perfect steam™** option injects steam into the clothing prior to cool down to reduce wrinkling, ironing and static cling.



NOTE

It is not recommended to use fabric softener sheets with steam cycles or steam options as it may cause staining on clothes.

anti-static (on select models)

The **anti-static** option injects steam into the clothing just before cycle completion to reduce static.

eco

The **eco** option reduces the drying temperature a few degrees to save energy. In conjunction with automatic moisture sensors, cycle times will increase slightly, but overall energy usage will decrease. The **eco** icon will illuminate on the LED display to indicate the **eco** option is activated.



wrinkle release

The **wrinkle release** option helps prevent wrinkles and tangling by tumbling the dry load without heat for 5 minutes out of every 10 minutes. The 5 minutes on and 5 minutes off is repeated for a total 45 minutes. A chime will sound after each tumble as a reminder to remove the dried load.

extended tumble (on select models)

Select the **extended tumble** option if the dried load might not be removed promptly at the end of the cycle. The dried load will tumble continuously without heat for 30 minutes. A chime will sound periodically to remind you to remove the dried load.



NOTE

When **extended tumble** and **wrinkle release** options are both selected the amount of time the load will tumble without heat will increase to a period of up to 75 minutes.

delay time (on select models)

Use **delay time** to delay the start of the drying cycle to a time convenient to your schedule or



18 Controls and Settings

during off-peak energy hours. The start of any cycle can be delayed for 30 minutes to 12 hours. After selecting the delay time option, use the cycle selector to scroll to the desired delay time and press **start**. The **delay time** icon will illuminate on the LED display to indicate the **delay time** option is activated. The delay time will begin counting down on the LED display once activated.



NOTE

While counting down during **delay time**, you will notice your dryer periodically tumbling for a few minutes without heat to redistribute the load, maximizing load freshness.

control lock

To lock the controls between cycles, scroll to the control lock option and press **select**. The control lock icon will show on the LED display. To unlock the controls scroll to the control lock option again and press **select**. Use this feature to reduce the likelihood of accidental operation by children. **Dryer cycles will not run when Control Lock is activated.**



chime

A signal will sound at the end of the cycle (and periodically during **extended tumble** or **wrinkle release**). To mute or unmute the chime, press and hold the **select** button for **3** seconds.

Muting the end of cycle signal will not mute the button tones.



hold 'select' 3 s to mute/unmute

Other Features

LED Display



The estimated cycle time for **auto dry**, the actual time for **time dry**, or the **delay time countdown** will be displayed when the cycle is selected. Once the cycle has started, the estimated remaining time will be displayed for the remainder of the cycle.

As the dryer progresses through the cycle phases, the row of cycle phase indicators lights up under the cycle time.

Delay time, eco, control lock, mute, and **clean lint** icons are also displayed here when activated.

Drum Light (on select models)

The drum light will come on whenever the door is opened to illuminate the drum during loading and unloading. Closing the door turns off the light. The drum light will automatically turn off if the door is left open more than 3 minutes.

Reversible Door

The dryer is equipped with a reversible door. The door can be hinged on the right or left side.

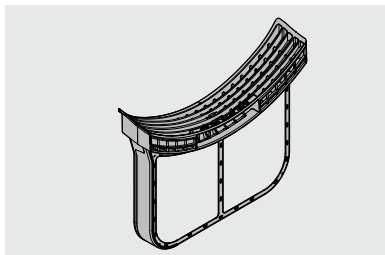


NOTE

For step-by-step instructions on door reversal, refer to the *Installation Instructions* supplied with this dryer.

LuxCare™ Lint Shield filter

The dryer is equipped with a clamshell style LuxCare™ Lint Shield filter.



WARNING

Clean the filter after every load. A **CLEAN LINT** message will appear on the LED display at the end of the cycle to remind you to remove the lint from the filter.



NOTE

For step-by-step instructions cleaning the lint filter, refer to *Cleaning the Filter* in the Care & Cleaning section of this Use and Care Guide.

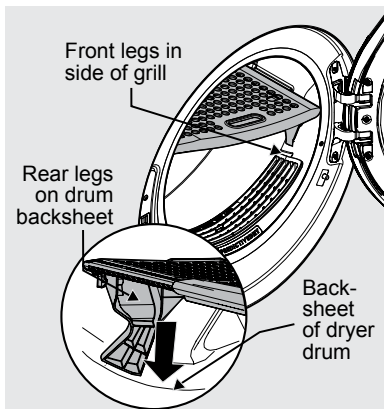
Optional Drying Rack (not included)

Use the drying rack for items which should not be tumble dried. Extend the collapsed drying rack and insert the rack into the dryer drum. Place the front legs into the front air grill and lower the rear of the rack onto the back of the dryer drum.

Place items to be dried on top of the rack, leaving space between items and not allowing them to hang over the sides or through the holes. The weight should not exceed 10 lbs (4.5 kg).

Select the air dry setting for items containing plastic, foam rubber, rubber-like materials, feathers or down. When items are dry, remove the rack and store it in a convenient location.

Install the drying rack



Installing drying rack

See the *Accessories* section of the *Installation Instructions* for ordering information.

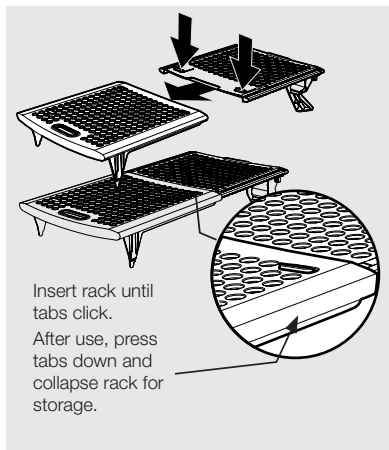


NOTE

The drying rack accessory should only be used with **time dry cycles**. Use of rack with **auto dry cycles** will result in a shortened cycle with unwanted drying results.

Assemble the drying rack

If rack is in separate pieces, press tabs down and insert rear into front.





WARNING

To reduce risk of fire or serious injury to persons or property, comply with the basic warnings listed in the Important Safety Instructions and those listed below.

Cleaning the Filter



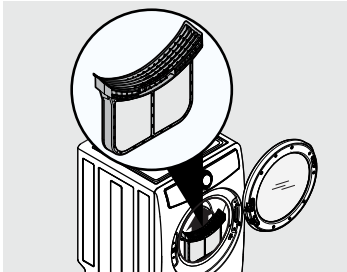
WARNING

Clean the lint filter after every load. **CLEAN LINT** will be displayed at the end of the cycle to remind you to remove lint from the filter.

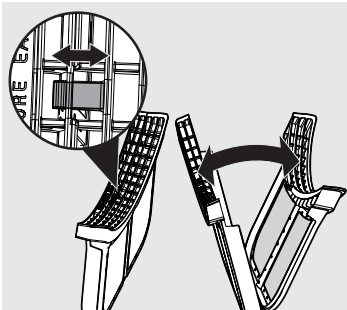
Clean the lint filter after every load. Lint build-up on the filter restricts air flow, which causes longer drying times. The filter is located at the bottom of the door opening.

Cleaning the LuxCare™ Lint Shield

1. Remove the filter by pulling it straight up from the dryer.



2. Press down the center tab on the top of the filter to open the clamshell.



3. Gently clean the lint from the filter.
4. Snap the filter closed and place back into the dryer.



IMPORTANT

- DO NOT open the clamshell filter beyond the hinge limit.
- ALWAYS handle the clamshell filter by the frame, not by the mesh material.

Inside

- Occasionally a waxy build-up may form on the lint filter and/or moisture sensing bars from using dryer-added fabric softener sheets. To remove this build-up, wash them with warm, soapy water. Dry the filter thoroughly and replace. DO NOT operate the dryer without the lint filter in place.
- If the dryer drum becomes stained from non colorfast fabrics, clean the drum with a damp cloth and a mild liquid household cleanser. Remove cleanser residue before drying the next load.
- Before cleaning the dryer drum interior, unplug the electrical power cord to avoid electrical shock hazards.
- DO NOT use any type spray cleanser when cleaning the dryer interior. Hazardous fumes or electrical shock could occur.
- Every 18 months a qualified service professional should clean the dryer cabinet interior, lint screen housing and exhaust duct. These areas can collect lint and dust over time. An excessive amount of lint build-up could result in inefficient drying and possible fire hazard.

Outside

- Clean the dryer cabinet with mild soap and water. Never use harsh, gritty or abrasive cleansers.
- If the cabinet becomes stained, clean with diluted chlorine bleach (1 part bleach to 8 parts water). Rinse several times with clear water.
- Remove glue residue from tape or labels with a mixture of warm water and mild detergent. Or, touch residue with the sticky side of the tape or label.

- When cleaning chrome parts, it is best to use only a damp cloth.
- Before moving the dryer, place a strip of cardboard or thin fiberboard under the front leveling legs to prevent damage to the floor.



WARNING

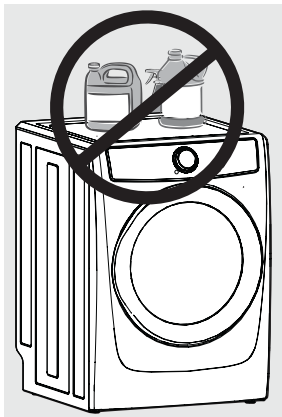
FIRE HAZARD

A clothes dryer produces combustible lint. The dryer must be connected to an outdoor exhaust. Regularly inspect the outdoor exhaust opening and remove any accumulation of lint around the opening and in the surrounding area.



IMPORTANT

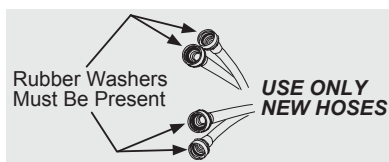
DO NOT store or place laundry products on top of dryer at any time. They can damage the finish or controls. It is recommended to keep laundry products in the storage drawer between cycles if installed on a pedestal.



Water Inlet Hose Inspection (Steam Models Only)

Periodically inspect all water inlet hoses for water leaks, wear, cuts, corrosion and bulges. Replace all hoses, if any sign of the above is visible. All hoses should be replaced every 5 years to reduce the risk of hose failures. When replacing hoses, refer to the *Installation Instructions* for proper installation. DO NOT overtighten or cross

thread the fittings. DO NOT allow the hose to rub against sharp objects. Always ensure the hose fitting rubber gasket is installed and free from water leaks when water pressure is applied.



See the *Accessories* section of the *Installation Instructions* for ordering information.

Limited Use, Vacation, and Away from Home



CAUTION

Your dryer should be operated ONLY when you are home. If you are away from home or not using your dryer for extended periods of time, follow these steps:

1. Turn off the water supply to dryer (steam models only) to avoid water leaks due to water pressure surges and unforeseen occurrences in the water supply.
2. Disconnect or unplug the electrical power to the dryer.

Reconnecting Water Supply and Electrical



IMPORTANT

When reinstalling the dryer after disconnecting the water supply lines (steam models only) and electrical power, please follow the steps below:

1. Review the *Installation Instructions* provided with the dryer to ensure the appliance is level and the water and electrical power supply is properly connected.
2. Ensure the water lines are flushed of debris, prior to connecting the water lines to the dryer inlet.
3. Check for water leaks and replace supply hoses if needed.

22 Solutions to Common Inquiries

Normal Operating Sounds

You may or may not hear the following sounds from your new dryer:

A. WATER VALVE (Steam models only.)

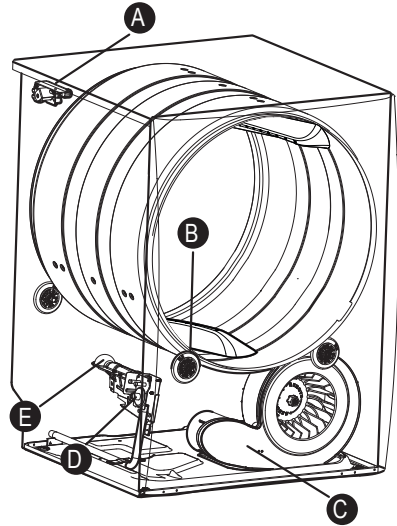
The flow of water is controlled by electric solenoids. During operation there may be a clicking sound as the valve opens and closes to control the water flow.

B. SUSPENSION ROLLERS The dryer drum is supported by a set of suspension rollers. At times there may be a thumping or rolling sound when the dryer starts. This may happen if the dryer has not been in use for a period of time, or after a heavy load has remained in the dryer drum for an extended period, creating a temporary flat spot on the edge of the roller. The noise should dissipate as the dryer operates and the flat spots smooth out.

C. AIR FLOW SYSTEM Your dryer is equipped with a high volume air handling system. In some installations there may be some sounds associated with air movement throughout the dryer, including the air duct, blower, and exhaust system. This is normal and can vary with load size and type.

D. GAS VALVE (Gas models only.) The flow of gas is controlled by electric solenoids. During operation there may be a clicking sound as the valve opens and closes to control the gas flow.

E. GAS BURNER (Gas models only.) When the burner is operating, there may be sounds generated as the air flow mixes with the gas flame. This noise is normal and will only occur when the gas is ignited in the combustion tube.



Before Operating Your Dryer

Read the important instructions in this section of the *Use & Care Guide* before operating your dryer.



WARNING

To reduce the risk of fire, electric shock or injury to persons, read the IMPORTANT SAFETY INSTRUCTIONS in this *Use & Care Guide* before operating your dryer.

Common Drying Inquiries

Many drying problems involve poor cleaning results, poor soil and stain removal, residues of lint and scum, and fabric damage. For satisfactory drying results, follow these suggestions provided by The Soap and Detergent Association.

PROBLEM	POSSIBLE CAUSES	SOLUTIONS	PREVENTIVE MEASURES
Greasy, oily stains	<ul style="list-style-type: none"> • Fabric softener sheet 	<ul style="list-style-type: none"> • Rub fabric softener stains with bar soap. Rinse and rewash. 	<ul style="list-style-type: none"> • Add a few bath towels to small loads for proper tumbling. • Some "silk-like" fabrics should be air dried. • Use proper drying temperature. • Place fabric softener sheet on top of load before starting the dryer.
Lint	<ul style="list-style-type: none"> • Overloading • Overdrying causes static electricity • Lint screen not clean when cycle began • Lint is attached to "pills" 	<ul style="list-style-type: none"> • Reduce load size and rewash using liquid fabric softener in the final rinse. • Or, add a fabric softener sheet and tumble without heat. • Use lint brush or roller to remove lint. 	<ul style="list-style-type: none"> • DO NOT overload dryer. • Use fabric softener in washer or dryer to reduce static electricity. • Remove items when they are slightly damp to avoid overdrying. • Check that lint filter is clean and in place.
Pilling (fibers break off, ball up and cling to fabric)	<ul style="list-style-type: none"> • Overdrying 	<ul style="list-style-type: none"> • Use a lint brush or shaver to remove pills. 	<ul style="list-style-type: none"> • Use fabric softener to lubricate fibers. • When ironing, use spray starch or fabric finish on collars and cuffs. • Turn items inside out to reduce abrasion.
Shrinking	<ul style="list-style-type: none"> • Temperature too high • Overdrying 	<ul style="list-style-type: none"> • Irreversible condition. 	<ul style="list-style-type: none"> • Follow fabric care label directions. • If shrinking is a concern, check load often. • Remove items while slightly damp and hang or lay flat to complete drying. • Block knits into shape.
Wrinkling	<ul style="list-style-type: none"> • Overloading • Leaving items in dryer after cycle ends 	<ul style="list-style-type: none"> • Reduce load size and tumble at medium or low heat for 5-10 minutes. • Remove items immediately. Hang or fold. 	<ul style="list-style-type: none"> • DO NOT overload dryer. • Remove items as soon as cycle ends.
Isolated wet spots on fabrics after completed Steam cycle	<ul style="list-style-type: none"> • Low water pressure in home is not sufficient to atomize incoming water during steam cycle 	<ul style="list-style-type: none"> • Check water line pressure. 	<ul style="list-style-type: none"> • Ensure water line pressure is minimum of 20 psi. DO NOT exceed 120 psi.

24 Solutions to Common Inquiries

Service Prevention Checklist

Before calling for service, review this list. It may save both time and expense. The list includes common occurrences that are not the result of defective workmanship or materials in this dryer.

PROBLEM	POSSIBLE CAUSES	SOLUTIONS
Dryer does not start.	<ul style="list-style-type: none">• Electrical power cord is not securely plugged in or plug may be loose.• House fuse blown or circuit breaker tripped.• Action of pressing start button on "touch screen" style console not recognized• Thermal limiter tripped.• Delay time inadvertently activated.• Door may be open. Unit will not operate with door open.	<ul style="list-style-type: none">• Make sure the plug fits tightly in wall outlet.• Reset circuit breaker or replace fuse.• Make sure electrical line is not overloaded and the dryer is on a separate circuit.• Press start button with bare fingertip.• Call authorized service person for replacement.• Ensure delay time not activated.• Ensure door is closed.
LED displays "dn".	<ul style="list-style-type: none">• Dryer has been programmed to temporarily perform a repeating demo cycle.	<ul style="list-style-type: none">• Reset the unit back to factory default settings as described earlier.
Dryer runs but won't heat.	<ul style="list-style-type: none">• There are 2 house fuses in the dryer circuit. If 1 of the 2 fuses is blown, the drum may turn but the heater will not operate (electric models).• Gas supply valve is not open (gas models).• Dryer does not have enough air supply to support the burner flame (gas models).• LP gas supply tank is empty or there has been a utility interruption of natural gas (gas models).	<ul style="list-style-type: none">• Replace fuse.• Check to make sure supply valve is open. Refer to the <i>Installation Instructions</i> provided with the dryer.• See the <i>Installation Instructions</i> provided with the dryer.• Refill or replace tank. Dryer should heat when utility service is restored.

PROBLEM	POSSIBLE CAUSES	SOLUTIONS
Drying cycle takes too long, outside of the dryer feels too hot or smells hot.	<ul style="list-style-type: none"> • Lint filter is clogged with lint. • Exhaust duct requirements have not been met. • Electric dryer is connected to a 208 volt circuit. • Drying procedures have not been followed. • Outside exhaust hood or exhaust duct may be clogged or restricted. • High humidity. 	<ul style="list-style-type: none"> • Make sure all lint has been removed from the dryer lint filter before starting each cycle. • Exhaust duct must be at least 4 inches in diameter and made of rigid or semi-rigid metal. • When in place, the duct must not exceed length listed in the <i>Installation Instructions</i>. • Drying time will be 20% longer than drying on a 240 volt circuit. • See <i>Operating Instructions</i>. • Clean out any obstruction. • Use a dehumidifier near the dryer.
Excess moisture in drum between cycles.	<ul style="list-style-type: none"> • Exhaust damper stuck open or not present. 	<ul style="list-style-type: none"> • Fix or clean the damper, or install new one.
Excessive wrinkling.	<ul style="list-style-type: none"> • Dryer is overloaded. • Items left in dryer too long. • Insufficient sorting of items. • Drying temperature too high. • Drying load is very small. 	<ul style="list-style-type: none"> • DO NOT overload. See <i>Operating Instructions</i>. • Remove items as soon as cycle ends. • See <i>Operating Instructions</i>. • Follow fabric care label instructions. • Add two or three larger items.
Scratching or chipping of the drum finish.	<ul style="list-style-type: none"> • Foreign objects such as coins, pins, clips or buttons are inside the dryer.* • Permanently attached items such as belt buckles, zippers and fasteners may be hitting the inside of the drum.* 	<ul style="list-style-type: none"> • Always remove foreign objects from pockets before laundering. Remove objects from drum and restart dryer. • It may be necessary to sew a scrap of material securely around ornaments before drying to prevent scratching and damage to the dryer.
<p>* Drum damage caused by foreign objects or permanently attached items is not covered by the warranty.</p>		

26 Warranty Information

For the applicable warranty period as set forth below, as measured from your original date of purchase, Electrolux will repair or replace any parts of this appliance that prove to be defective in materials or workmanship when such appliance is installed, used and maintained in accordance with the provided instructions.

Warranty Periods:

- All parts — One year including labor. In addition, your appliance is covered by a one year, parts only, limited warranty. During the 2nd year from your original date of purchase, Electrolux will pay for parts needed for this appliance that have proven to be defective in materials or workmanship when your appliance is installed, used, and maintained in accordance with the provided instructions.
- Inner wash tub (washer) — Functional life of the product (excluding labor)
- Wash tub drive motor (washer), non-cosmetic defects — Ten years (excluding labor)

Exclusions

This warranty does not cover the following:

1. Products with original serial numbers that have been removed, altered or cannot be readily determined.
2. Product that has been transferred from its original owner to another party or removed outside the USA or Canada.
3. Rust on the interior or exterior of the unit.
4. Products purchased "as-is" are not covered by this warranty.
5. Products used in a commercial setting.
6. Service calls which DO NOT involve malfunction or defects in materials or workmanship, or for appliances not in ordinary household use or used other than in accordance with the provided instructions.
7. Service calls to correct the installation of your appliance or to instruct you how to use your appliance.
8. Expenses for making the appliance accessible for servicing, such as removal of trim, cupboards, shelves, etc., which are not a part of the appliance when it is shipped from the factory.
9. Service calls to repair or replace appliance light bulbs, air filters, water filters, other consumables, or knobs, handles, or other cosmetic parts.
10. Pickup and delivery costs; your appliance is designed to be repaired in the home.
11. Surcharges including, but not limited to, any after hour, weekend, or holiday service calls, tolls, ferry trip charges, or mileage expense for service calls to remote areas, including the state of Alaska.
12. Damages to the finish of appliance or home incurred during transportation or installation, including but not limited to floors, cabinets, walls, etc.
13. Damages caused by: services performed by unauthorized service companies; use of parts other than genuine Electrolux parts or parts obtained from persons other than authorized service companies; or external causes such as abuse, misuse, inadequate power supply, accidents, fires, or acts of God.

DISCLAIMER OF IMPLIED WARRANTIES; LIMITATION OF REMEDIES

CUSTOMER'S SOLE AND EXCLUSIVE REMEDY UNDER THIS LIMITED WARRANTY SHALL BE REPAIR OR REPLACEMENT AS PROVIDED HEREIN. **CLAIMS BASED ON IMPLIED WARRANTIES, INCLUDING WARRANTIES OF MERCHANTABILITY OR FITNESS FOR A PARTICULAR PURPOSE, ARE LIMITED TO ONE YEAR OR THE SHORTEST PERIOD ALLOWED BY LAW, BUT NOT LESS THAN ONE YEAR.** ELECTROLUX SHALL NOT BE LIABLE FOR CONSEQUENTIAL OR INCIDENTAL DAMAGES SUCH AS PROPERTY DAMAGE AND INCIDENTAL EXPENSES RESULTING FROM ANY BREACH OF THIS WRITTEN LIMITED WARRANTY OR ANY IMPLIED WARRANTY. SOME STATES AND PROVINCES DO NOT ALLOW THE EXCLUSION OR LIMITATION OF INCIDENTAL OR CONSEQUENTIAL DAMAGES, OR LIMITATIONS ON THE DURATION OF IMPLIED WARRANTIES, SO THESE LIMITATIONS OR EXCLUSIONS MAY NOT APPLY TO YOU. THIS WRITTEN WARRANTY GIVES YOU SPECIFIC LEGAL RIGHTS. YOU MAY ALSO HAVE OTHER RIGHTS THAT VARY FROM STATE TO STATE.

If You Need Service

Keep your receipt, delivery slip, or some other appropriate payment record to establish the warranty period should service be required. If service is performed, it is in your best interest to obtain and keep all receipts. Service under this warranty must be obtained by contacting Electrolux at the addresses or phone numbers below.

This warranty only applies in the USA, Puerto Rico and Canada. In the USA and Puerto Rico, your appliance is warranted by Electrolux Major Appliances North America, a division of Electrolux Home Products, Inc. In Canada, your appliance is warranted by Electrolux Canada Corp. Electrolux authorizes no person to change or add to any obligations under this warranty. Obligations for service and parts under this warranty must be performed by Electrolux or an authorized service company. Product features or specifications as described or illustrated are subject to change without notice.

USA

1-877-435-3287

Electrolux Home Products, Inc.,
North America
10200 David Taylor Drive
Charlotte, NC 28262



Electrolux

Canada

1-800-265-8352

Electrolux Canada Corp.
5855 Terry Fox Way
Mississauga, Ontario, Canada
L5V 3E4

electrolux.com/shop

