

EN FRONT LOAD DRYER

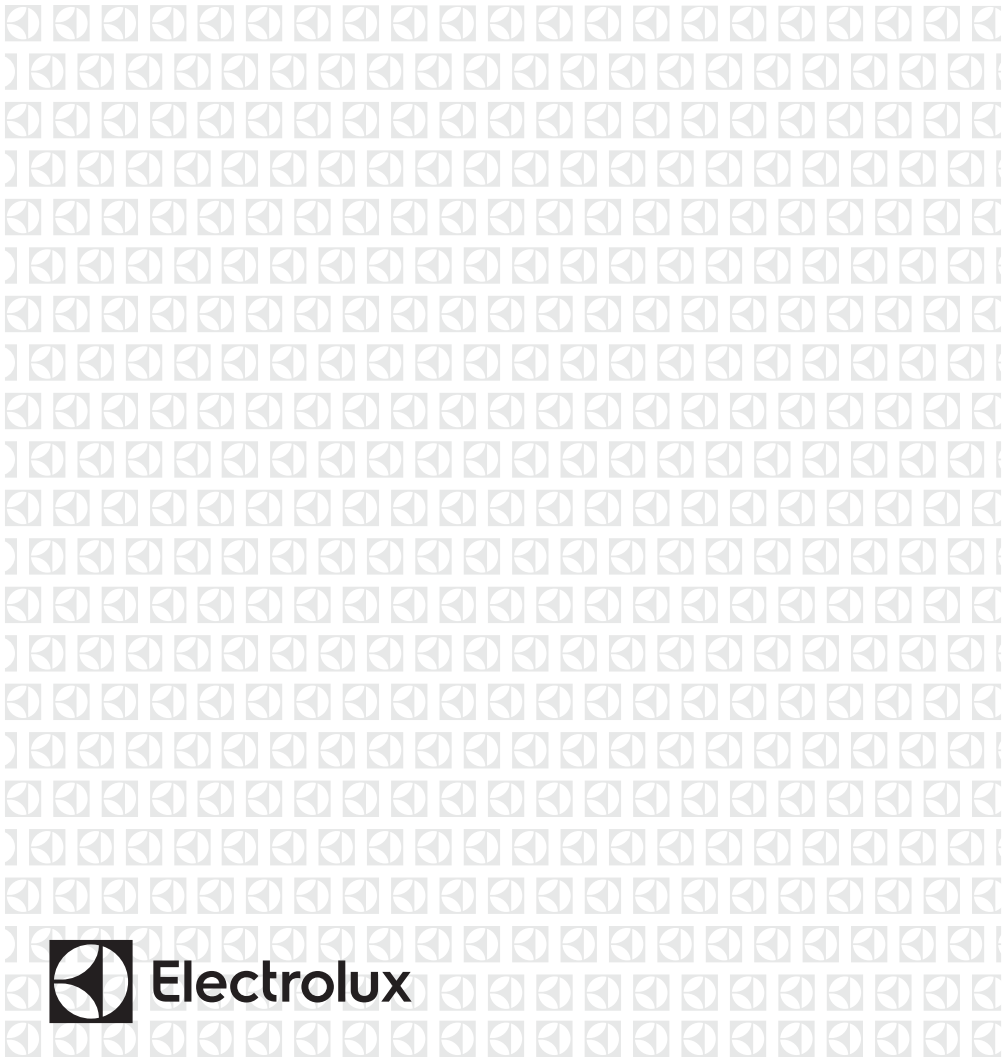
FR SÉCHEUSE À CHARGEMENT FRONTAL

ES SECADORA DE CARGA FRONTAL

INSTALLATION INSTRUCTIONS

INSTRUCTIONS D'INSTALLATION

INSTRUCCIONES DE INSTALACIÓN



2 Important Safety Instructions




WARNING

For your safety, the information in this manual must be followed to minimize the risk of fire or explosion or to prevent property damage, personal injury or loss of life. **DO NOT** store or use gasoline or other flammable vapors and liquids in the vicinity of this or any other appliance.

Safety Precautions

DO NOT attempt to install or operate your unit until you have read the safety precautions in this manual. Safety items throughout this manual are labeled with a Danger, Warning, or Caution based on the risk type.

Definitions

 This is the safety alert symbol. It is used to alert you to potential personal injury hazards. Obey all safety messages that follow this symbol to avoid possible injury or death.



DANGER

DANGER indicates an imminently hazardous situation which, if not avoided, will result in death or serious injury.



WARNING

WARNING indicates a potentially hazardous situation which, if not avoided, could result in death or serious injury.



CAUTION

CAUTION indicates a potentially hazardous situation which, if not avoided, may result in minor or moderate injury.



IMPORTANT

Indicates installation, operation, or maintenance information which is important but not hazard-related.

Table of Contents

Important Safety Instructions	2
Installation Requirements.....	4
Installation Instructions	12
Reversing Door.....	19
Options	21



WARNING

RISK OF FIRE

Read all the following instructions before installing and using this appliance.

- Destroy the carton and plastic bags after the laundry center is unpacked. Children might use them to play. Cartons covered with rugs, bedspreads, or plastic sheets can become airtight chambers causing suffocation. Place all materials in a garbage container or make materials inaccessible to children.
- Clothes dryer installation and service must be performed by a qualified installer, service agency or the gas supplier.
- Install the clothes dryer according to the manufacturer's instructions and local codes.
- The electrical service to the dryer must conform with local codes and ordinances and the latest edition of the National Electrical Code, ANSI/NFPA 70, or in Canada, the Canadian Electrical Code CSA C22.1 part 1.
- The gas service to the dryer must conform with local codes and ordinances and the latest edition of the National Fuel Gas Code ANSI Z223.1/NFPA 54, or in Canada, the Natural Gas and Propane Installation Code, CSA B149.1. An individual manual shutoff valve must be installed within 6 ft (1.83 m) of the dryer in accordance with the National Fuel Gas Code, ANSI Z223.1/NFPA 54.
- The dryer is designed under ANSI Z21.5.1/GSA 7.1 or UL 2158 - CAN/CSA C22.2 No. 112 (latest editions) for HOME USE only. This dryer is not recommended for commercial applications such as restaurants, beauty salons, etc.
- **DO NOT install a clothes dryer with flexible plastic or flexible foil venting material. Flexible venting materials are known to collapse, be easily crushed and trap lint. These conditions will obstruct clothes dryer airflow and increase the risk of fire.**
- **DO NOT** stack a dryer on top of washer already installed on pedestal. **DO NOT** stack washer on top of dryer. **DO NOT** stack washer on top of another washer.

The instructions in this manual and all other literature included with this dryer are not meant to cover every possible condition and situation that may occur. Good safe practice and caution MUST be applied when installing, operating and maintaining any appliance.

SAVE THESE INSTRUCTIONS FOR FUTURE REFERENCE.

4 Installation Requirements

Please read and save this guide

Thank you for choosing Electrolux, the premium brand in home appliances. These Installation Instructions are part of our commitment to customer satisfaction and product quality throughout the life of your new appliance.

Questions?

Toll-free telephone and online support:

U.S.

1-877-4ELECTROLUX (1-877-435-3287)

www.electroluxappliances.com

Canada

1-800-265-8352

www.electroluxappliances.ca

Installation Checklist

Exhaust Venting

- Free-flowing, clear of lint buildup
- 4 inch (102 mm) rigid metal or semi-rigid metal transition ducting of minimal length and turns
- NO foil or plastic venting material
- Approved vent hood exhausted to outdoors

Leveling

- Dryer is level, side-to-side and front-to-back
- Cabinet is sitting solid on all corners

Gas Supply (Gas Dryer)

- Manual shutoff valve present in supply
- All connections sealed with approved sealer and wrench tight
- Conversion kit for LP GAS system
- Gas supply turned on
- No leaks present at all connections - check with soapy water, NEVER check with flame

Water Hookup (Select Models)

- Inspect hoses for proper placement of rubber washers
- Water supply is turned on
- Check for leaks
- Steam model dryers require use of ASSEMBLY HOSE KIT #5304495002 (not included) and must be purchased separately.

240v Electric Supply (Electric Dryer)

- Approved NEMA 10-30 or 14-30 service cord with all screws tight on terminal block
- Approved strain relief installed
- Terminal access cover installed before initial operation

Door Reversal

- Follow detailed instructions in this guide
- Test hinge and latch for function

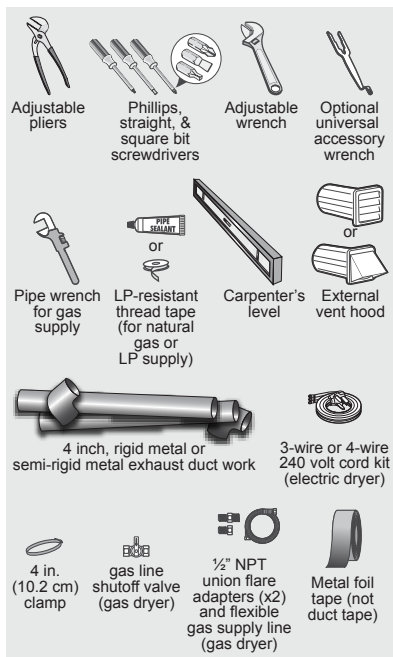
Electrical Power

- House power turned on
- Dryer plugged in

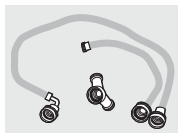
Final Checks

- Installation Instructions and Use and Care Guide read thoroughly
- Door latches and drum tumbles when cycle starts
- Registration card sent in

Tools and materials needed for installation:



ASSEMBLY HOSE KIT - P/N 5304495002, for steam models only, is not included and must be purchased separately.



WARNING

FIRE HAZARD

- Failure to follow safety warnings exactly could result in serious injury, death, or property damage.
- **DO NOT** install a booster fan in dryer exhaust duct.
- Install all clothes dryers in accordance with the installation instructions in this manual.

Electrical system requirements



NOTE

Because of potentially inconsistent voltage capabilities, the use of this dryer with power created by gas powered generators, solar powered generators, wind powered generators or any other generator other than the local utility company is not recommended.

Electrical Requirements For Electric Dryer:

CIRCUIT - Individual 30 amp. branch circuit fused with 30 amp. time delay fuses or circuit breakers. Use separately fused circuits for washer and dryer. **DO NOT** operate washer and dryer on same circuit.

POWER SUPPLY - 3-wire or 4-wire, 120/240 volt, single phase, 60 Hz, Alternating Current.



NOTE

A 120/208 volt, single phase, 60 Hz, Alternating Current supply may be used on dryers marked for use on rating plate.



IMPORTANT

Dryer is internally grounded to neutral unless it was manufactured for sale in Canada.

Only a 4-conductor cord shall be used when the appliance is installed in a location where grounding through the neutral conductor is prohibited. Grounding through the neutral link is prohibited for: (1) new branch circuit installations, (2) mobile homes, (3) recreational vehicles, and (4) areas where local codes **DO NOT** permit grounding through the neutral.

6 Installation Requirements

3-WIRE POWER SUPPLY CORD (not supplied)



3-wire receptacle
(NEMA type 10-30R)

The dryer **MUST** employ a 3-conductor power supply cord NEMA 10-30 type SRDT rated at 240 volt AC minimum, 30 amp, with 3 open end spade lug connectors with upturned ends or closed loop connectors and marked for use with clothes dryers. For 3-wire cord connection instructions see ELECTRICAL CONNECTIONS FOR A 3-WIRE SYSTEM.

OUTLET RECEPTACLE - NEMA 10-30R receptacle to be located so the power supply cord is accessible when the dryer is in the installed position.

GROUNDING CONNECTION - See "Grounding requirements" in Electrical Installation section.

4-WIRE POWER SUPPLY CORD (not supplied)



4-wire receptacle
(NEMA type 14-30R)

The dryer **MUST** employ a 4-conductor power supply cord NEMA 14-30 type SRDT or DRT (as required) rated at 240 volt AC minimum, 30 amp, with 4 open end spade lug connectors with upturned ends or closed loop connectors and marked for use with clothes dryers. For 4-wire cord connection instructions see ELECTRICAL CONNECTIONS FOR A 4-WIRE SYSTEM.



NOTE

Dryers manufactured for sale in Canada have factory-installed, 4-wire power supply cord (NEMA 14-30).

OUTLET RECEPTACLE - NEMA 14-30R receptacle to be located so the power supply cord is accessible when the dryer is in the installed position.

GROUNDING CONNECTION - See "Grounding requirements" in Electrical Installation section.

Electrical Requirements For Gas Dryer:

CIRCUIT - Individual, properly polarized and grounded 15 amp. branch circuit fused with 15 amp. time delay fuse or circuit breaker.

POWER SUPPLY - 2-wire, with ground, 120 volt, single phase, 60 Hz, Alternating Current.

POWER SUPPLY CORD - Dryer is equipped with 120 volt 3-wire power cord.

GROUNDING CONNECTION - See "Grounding requirements" in Electrical Installation section.



WARNING

Improper grounding of the dryer may cause serious injury or death. Check with a licensed electrician if you are in doubt as to whether the appliance is properly grounded.

Grounding type wall receptacle



Do not, under any circumstances, cut, remove, or bypass the grounding prong.

Power cord with 3-prong grounded plug

Gas supply requirements



WARNING

EXPLOSION HAZARD

Uncoated copper tubing will corrode when subjected to natural gas, causing gas leaks. Use **ONLY** black iron, stainless steel, or plastic-coated brass piping for gas supply.

1. Installation **MUST** conform with local codes, or in the absence of local codes, with the National Fuel Gas Code, ANSI Z223.1 (latest edition).

Gas supply requirements, continued

- The gas supply line should be 1/2 inch (1.27 cm) pipe.
- If codes allow, flexible metal tubing may be used to connect your dryer to the gas supply line. The tubing **MUST** be constructed of stainless steel or plastic-coated brass.
- The gas supply line **MUST** have an individual shutoff valve installed in accordance with the B149.1, Natural Gas and Propane Installation Code.
- A 1/8 inch (0.32 cm) N.P.T. plugged tapping, accessible for test gauge connection, **MUST** be installed immediately upstream of the gas supply connection to the dryer.
- The dryer **MUST** be disconnected from the gas supply piping system during any pressure testing of the gas supply piping system at test pressures in excess of 1/2 psig (3.45 kPa).
- The dryer **MUST** be isolated from the gas supply piping system during any pressure testing of the gas supply piping system at test pressures equal to or less than 1/2 psig (3.45 kPa).
- Connections for the gas supply must comply with the Standard for Connectors for Gas Appliances, ANSI Z21.24/CSA 6.10.

Exhaust system requirements

Use only 4 inch (102 mm) diameter (minimum) rigid or semi rigid metal duct and approved vent hood which has a swing-out damper(s) that open when the dryer is in operation. When the dryer stops, the dampers automatically close to prevent drafts and the entrance of insects and rodents. To avoid restricting the outlet, maintain a minimum of 12 inches (30.5 cm) clearance between the vent hood and the ground or any other obstruction.



WARNING

FIRE HAZARD

Failure to follow these instructions can create excessive drying times and fire hazards.

The following are specific requirements for proper and safe operation of your dryer.

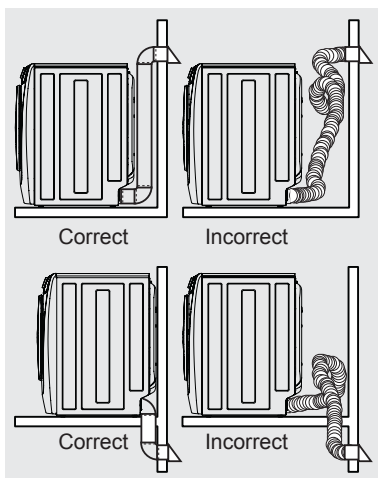


WARNING

FIRE HAZARD

DO NOT install a clothes dryer with flexible plastic or foil venting materials. Flexible venting materials are known to collapse, be easily crushed and trap lint. These conditions will obstruct clothes dryer airflow and increase the risk of fire.

If your present system is made up of plastic or foil duct, replace it with a rigid or semi-rigid metal duct. Ensure the present duct is free of any lint prior to installing dryer duct.



WARNING

FIRE HAZARD

- Failure to follow safety warnings exactly could result in serious injury, death, or property damage.
- DO NOT** install a booster fan in dryer exhaust duct.
- Install all clothes dryers in accordance with the installation instructions in this manual.

8 Installation Requirements

Exhaust system requirements, continued



WARNING

FIRE HAZARD

A clothes dryer must be exhausted outdoors. **DO NOT** exhaust dryer into a chimney, a wall, a ceiling, an attic, a crawl space or any concealed space of a building. A clothes dryer produces combustible lint. If the dryer is not exhausted outdoors, some fine lint will be expelled into the laundry area. An accumulation of lint in any area of the home can create a health and fire hazard.

The dryer must be connected to an exhaust outdoors. Regularly inspect the outdoor exhaust opening and remove any accumulation of lint around the outdoor exhaust opening and in the surrounding area.



WARNING

FIRE HAZARD

- **DO NOT** allow combustible materials (for example: clothing, draperies/curtains, paper) to come in contact with exhaust system. The dryer **MUST NOT** be exhausted into a chimney, a wall, a ceiling, or any concealed space of a building which can accumulate lint, resulting in a fire hazard.
- **DO NOT** screen the exhaust ends of the vent system, or use any screws, rivets or other fasteners that extend into the duct to assemble the exhaust system. **No screen or grate of any mesh size is allowed to cover the exhaust opening. Lint can become caught in the screen, grate, or on the screws or rivets, clogging the duct work and creating a fire hazard as well as increasing drying times.** Use an approved vent hood to terminate the duct outdoors, and seal all joints with metal foil tape. All male duct pipe fittings **MUST** be installed downstream with the flow of air.



WARNING

Exceeding the length of duct pipe or number of elbows allowed in the "MAXIMUM LENGTH" charts can cause an accumulation of lint in the exhaust system. Plugging the system could create a fire hazard, as well as increase drying times.

Number of 90° turns	MAXIMUM LENGTH of 4" (102 mm) Rigid Metal Duct	
	VENT HOOD TYPE	
	(Preferred)	
	 4" (10.2 cm)	 2.5" (6.35 cm)
0	125 ft. (38 m)	110 ft. (33.5 m)
1	115 ft. (35 m)	100 ft. (30.5 m)
2	105 ft. (32 m)	90 ft. (27.5 m)
3	95 ft. (29 m)	80 ft. (24.5 m)
4	85 ft. (26 m)	70 ft. (21.5 m)



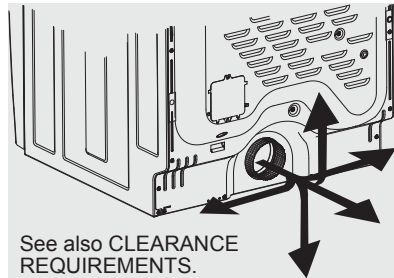
WARNING

FIRE HAZARD

- **DO NOT** install flexible plastic or flexible foil venting material.
- **DO NOT exceed 8 ft. (2.4 m) duct length if installing semi-rigid venting.**

Exhaust Direction

Directional exhausting can be accomplished by installing a quick-turn 90° dryer vent elbow directly to exhaust outlet of dryer. Dryer vent elbows are available through your local parts distributor or hardware store.



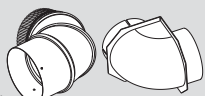
See also CLEARANCE REQUIREMENTS.

Exhaust system requirements, continued



NOTE

Use of 90° quick-turn elbow required to meet minimum installation depth.



WARNING

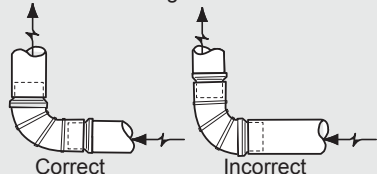
FIRE HAZARD

DO NOT install the dryer where gasoline or other flammables are kept or stored. If the dryer is installed in a garage, it must be a minimum of 18 inches (45.7 cm) above the floor. Failure to do so can result in death, explosion, fire or burns.

In installations where the exhaust system is not described in the charts, the following method must be used to determine if the exhaust system is acceptable:

1. Connect an inclined or digital manometer between the dryer and the point the exhaust connects to the dryer.
2. Set the dryer timer and temperature to air fluff (cool down) and start the dryer.
3. Read the measurement on the manometer.
4. The system back pressure **MUST NOT** be higher than 1.0 inch of water column. If the system back pressure is less than 1.0 inch of water column, the system is acceptable. If the manometer reading is higher than 1.0 inch of water column, the system is too restrictive and the installation is unacceptable.

Install male fittings in correct direction:



Although vertical orientation of the exhaust system is acceptable, certain extenuating circumstances could affect the performance of the dryer:

- Only the rigid metal duct work should be used.
- Venting vertically through a roof may expose the exhaust system to down drafts causing an increase in vent restriction.
- Running the exhaust system through an uninsulated area may cause condensation and faster accumulation of lint.
- Compression or crimping of the exhaust system will cause an increase in vent restriction.
- **The exhaust system should be inspected and cleaned a minimum of every 18 months with normal usage.** The more the dryer is used, the more often you should check the exhaust system and vent hood for proper operation and that it is free of obstructions.

Manufactured or mobile home installation

1. Installation **MUST** conform to current Manufactured Home Construction & Safety Standard, Title 24 CFR, Part 32-80 (formerly the Federal Standard for Mobile Home Construction and Safety, Title 24, HUD Part 280) or Standard CAN/CSAZ240 MH.
2. Dryer **MUST** be exhausted outside (outdoors, not beneath the mobile home) using metal ducting that will not support combustion. Metal ducting must be 4 inches (10.16 cm) in diameter with no obstructions. Rigid metal duct is preferred.
3. If dryer is exhausted through the floor and area beneath the mobile home is enclosed, the exhaust system **MUST** terminate outside the enclosure with the termination securely fastened to a non-combustible portion of the mobile home structure.
4. Refer to previous sections in this guide for other important exhaust venting system requirements.
5. When installing a gas dryer into a mobile home, a provision must be made for outside make up air. This provision is to be not less than twice the area of the dryer exhaust outlet.
6. Installer **MUST** anchor this (1) dryer or (2) dryer mounted on pedestal to the floor with approved Mobile Home Installation Kit - P/N 137067200.

10 Installation Requirements

Clearance requirements



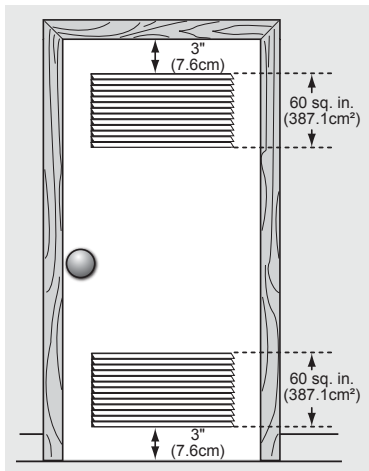
IMPORTANT

DO NOT INSTALL YOUR DRYER:

1. In an area exposed to dripping water or outside weather conditions.
2. In an area where it will come in contact with curtains, drapes, or anything that will obstruct the flow of combustion and ventilation air.
3. On carpet. Floor **MUST** be solid with a maximum slope of 1 inch (2.5 cm).

Installation In A Recess Or Closet

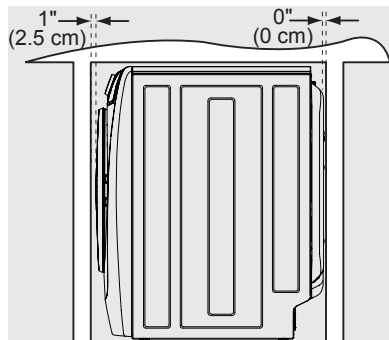
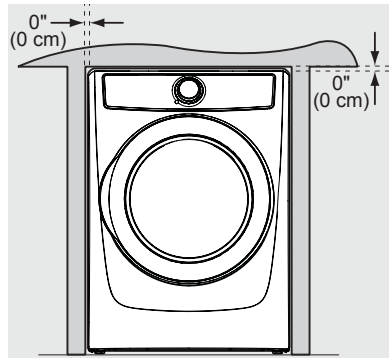
1. A dryer installed in a bedroom, bathroom, recess or closet, **MUST** be exhausted outdoors.
2. No other fuel burning appliance shall be installed in the same closet as the gas dryer.
3. Your dryer needs the space around it for proper ventilation.
DO NOT install your dryer in a closet with a solid door.
4. Closet door ventilation required: A minimum of 120 square inches (774.2 cm²) of opening, equally divided at the top and bottom of the door, is required. Openings should be located 3 inches (7.6 cm) from bottom and top of door. Openings are required to be unobstructed when a door is installed. A louvered door with equivalent air openings for the full length of the door is acceptable.



closet door

MIN INSTALLATION CLEARANCES - Inches (cm)				
	Sides	Rear	Top	Front
Alcove	0" (0 cm)	0" (0 cm)*	0" (0 cm)	n/a
Under-Counter	0" (0 cm)	0" (0 cm)*	0" (0 cm)	n/a
Closet	0" (0 cm)	0" (0 cm)*	0" (0 cm)	1" (2.5 cm)

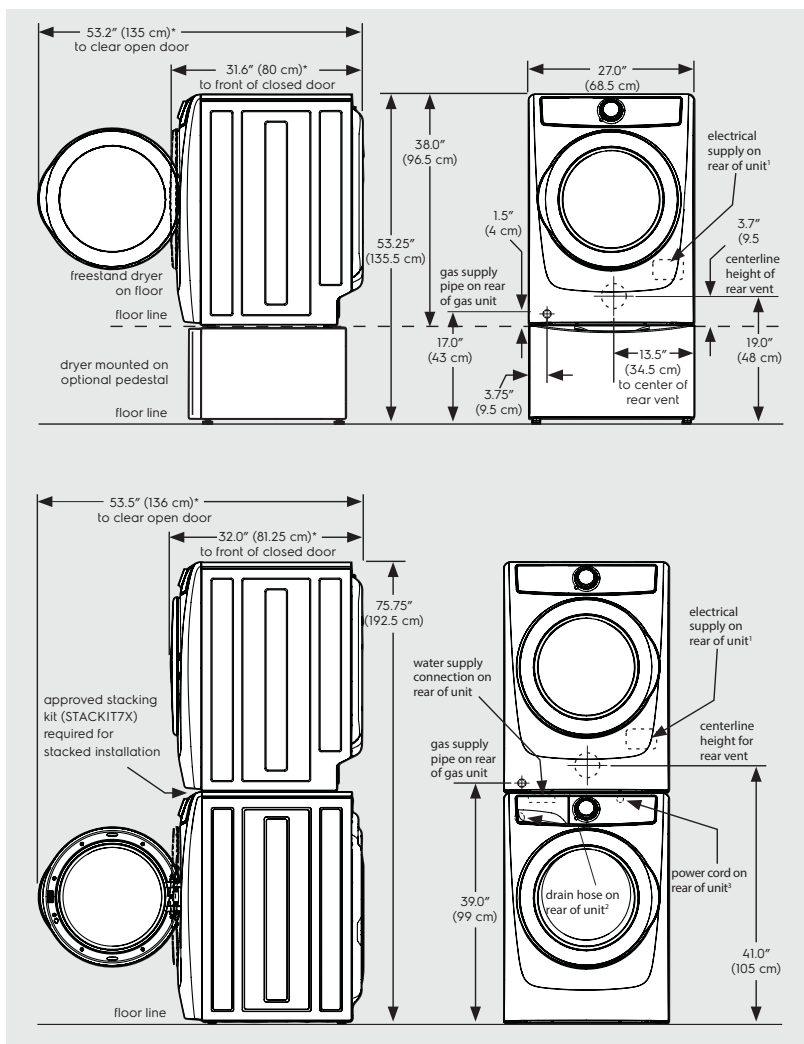
*For other than straight back venting, a quick-turn 90° dryer vent elbow must be installed to achieve 0" (0 cm) installation.



NOTE

To achieve an installation with 0" (0 cm) clearance for the back of the dryer (for other than straight back venting), a quick-turn 90° dryer vent elbow must be installed as described previously in this manual.

Dryer dimensions



* Connection of water inlet hose on steam dryer adds 3/4 in. (2 cm) to installation depth.

¹ Power supply cord length on gas dryer or electric Canadian dryer approximately 60 inches (152.5 cm).

² Drain hose length on washer approximately 59 inches (150 cm).

³ Power supply cord length on washer approximately 60 inches (152.5 cm).

12 Installation Instructions

Electrical installation

The following are specific requirements for proper and safe electrical installation of your dryer. Failure to follow these instructions can create electrical shock and/or a fire hazard.



WARNING

ELECTRICAL SHOCK HAZARD

- This appliance **MUST** be properly grounded. Electrical shock can result if the dryer is not properly grounded. Follow the instructions in this manual for proper grounding.
- **DO NOT** use an extension cord with this dryer. Some extension cords are not designed to withstand the amounts of electrical current this dryer utilizes and can melt, creating electrical shock and/or fire hazard. Locate the dryer within reach of the receptacle for the length power cord to be purchased, allowing some slack in the cord. Refer to the pre-installation requirements in this manual for the proper power cord to be purchased.



WARNING

ELECTRICAL SHOCK HAZARD

- A U.L.-approved strain relief must be installed onto power cord. If the strain relief is not attached, the cord can be pulled out of the dryer and can be cut by any movement of the cord, resulting in electrical shock.
- **DO NOT** use an aluminum wired receptacle with a copper wired power cord and plug (or vice versa). A chemical reaction occurs between copper and aluminum and can cause electrical shorts. The proper wiring and receptacle is a copper wired power cord with a copper wired receptacle.



NOTE

Dryers operating on 208 volt power supply will have longer drying times than dryers operating on 240 volt power supply.

Grounding requirements - Electric dryer (USA)



WARNING

Improper grounding of the dryer may cause serious injury or death. Check with a licensed electrician if you are in doubt as to whether the appliance is properly grounded.

For a grounded, cord-connected dryer:

1. The dryer **MUST** be grounded. In the event of a malfunction or breakdown, grounding will reduce the risk of electrical shock by providing a path of least resistance for electrical current.
2. After you purchase and install a 3 wire or 4 wire power supply cord having an equipment-grounding conductor and a grounding plug that matches your wiring system, the plug **MUST** be plugged into an appropriate, copper wired receptacle that is properly installed and grounded in accordance with all local codes and ordinances. If in doubt, call a licensed electrician.
3. **DO NOT** modify the plug you've installed on this appliance. If it will not fit the outlet, have a proper outlet installed by a qualified electrician.

For a permanently connected dryer:

The dryer **MUST** be connected to a grounded metal, permanent wiring system; or an equipment grounding conductor must be run with the circuit conductors and connected to the equipment-grounding terminal or lead on the appliance.

Grounding requirements - Electric dryer (Canada)



WARNING

Improper grounding of the dryer may cause serious injury or death. Check with a licensed electrician if you are in doubt as to whether the appliance is properly grounded.

For a grounded, cord-connected dryer:

1. The dryer **MUST** be grounded. In the event of a malfunction or breakdown, grounding will reduce the risk of electrical shock by providing a path of least resistance for electrical current.
2. Since your dryer is equipped with a power supply cord having an equipment-grounding conductor and a grounding plug, the plug must be plugged into an appropriate outlet that is properly installed and grounded in accordance with all local codes and ordinances. If in doubt, call a licensed electrician.
- 3 **DO NOT** modify the plug provided with this appliance. If it will not fit the outlet, have a proper outlet installed by a qualified electrician.

Grounding requirements - Gas dryer (USA and Canada)

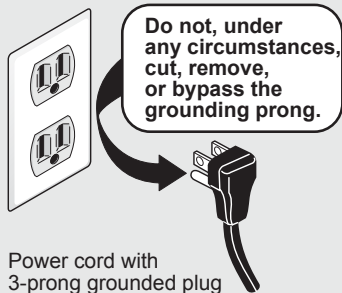
1. The dryer is equipped with a three-prong (grounding) plug for your protection against shock hazard and should be plugged directly into a properly grounded three-prong receptacle.
2. The plug must be plugged into an appropriate outlet that is properly installed and grounded in accordance with all local codes and ordinances. If in doubt, call a licensed electrician.
- 3 **DO NOT** modify the plug provided with this appliance. If it will not fit the outlet, have a proper outlet installed by a qualified electrician.



WARNING

Improper grounding of the dryer may cause serious injury or death. Check with a licensed electrician if you are in doubt as to whether the appliance is properly grounded.

Grounding type wall receptacle



14 Installation Instructions

Electrical connection (non-Canada) - 3 wire cord



3-wire receptacle
(NEMA type 10-30R)



WARNING

ELECTRICAL SHOCK HAZARD

Failure to disconnect power source before servicing could result in personal injury or even death.



WARNING

ELECTRICAL HAZARD

Label all wires prior to disconnection when servicing controls. Wiring errors can cause improper and dangerous operation. Verify proper operation after servicing.

1. Turn off power supply to outlet.
2. Remove the screw securing the terminal block access cover in the lower corner on the back of the dryer.
3. Install a UL-approved strain relief according to the power cord/strain relief manufacturer's instructions in the power cord entry hole below the access panel. At this time, the strain relief should be loosely in place.
4. Thread an UNPLUGGED, UL-approved, 30 amp. power cord, NEMA 10-30 type SRDT, through the strain relief.
5. Attach the power cord neutral (center wire) conductor to the SILVER colored center terminal on the terminal block. Tighten the screw securely.
6. Attach the remaining two power cord outer conductors to the outer, BRASS colored terminals on the terminal block. Tighten both screws securely.



WARNING

ELECTRICAL SHOCK HAZARD

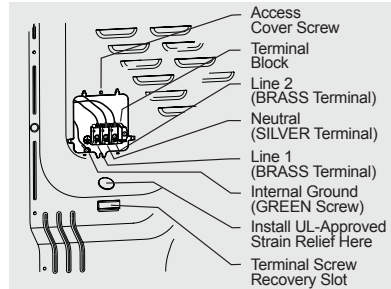
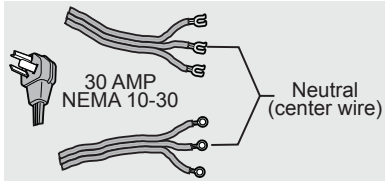
DO NOT make a sharp bend or crimp wiring/conductor at connections.

7. Follow manufacturer's guidelines for firmly securing the strain relief and power cord.
8. Reinstall the terminal block cover.



IMPORTANT

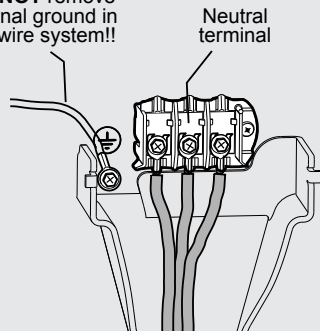
If moving dryer from a 4-wire system and installing it in a 3-wire system, move the internal ground from the center terminal back to the GREEN screw next to the terminal block.



NOTE

If a terminal screw falls during cord installation, it can be retrieved in the terminal screw recovery slot in the access panel.

DO NOT remove internal ground in a 3-wire system!!



Electrical connection (non-Canada) - 4 wire cord



4-wire receptacle
(NEMA type 14-30R)



WARNING

ELECTRICAL SHOCK HAZARD

Failure to disconnect power source before servicing could result in personal injury or even death.



WARNING

ELECTRICAL HAZARD

Label all wires prior to disconnection when servicing controls. Wiring errors can cause improper and dangerous operation. Verify proper operation after servicing.

1. Turn off power supply to outlet.
2. Remove the screw securing the terminal block access cover in the lower corner on the back of the dryer.
3. Install a UL-approved strain relief according to the power cord/strain relief manufacturer's instructions in the power cord entry hole below the access panel. At this time, the strain relief should be loosely in place.
4. Thread an UNPLUGGED, UL-approved, 30 amp. power cord, NEMA 14-30 type DRT or SRDT, through the strain relief.
5. Disconnect the internal (WHITE) dryer harness ground wire from the (GREEN) ground screw next to terminal block.
6. Attach the ground (GREEN) power cord wire to the cabinet with the ground (GREEN) screw. Tighten the screw securely.
7. Move the internal dryer harness ground (WHITE) wire to the terminal block and attach it along with the neutral (WHITE) power cord wire conductor to center, SILVER colored terminal on the terminal block. Tighten the screw securely.
8. Attach the RED and BLACK power cord conductors to the outer, BRASS colored terminals on the terminal block. Tighten both screws securely.

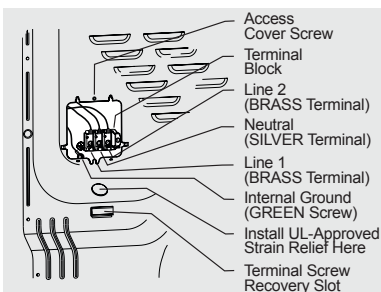
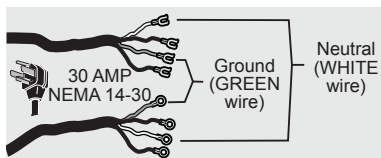


WARNING

ELECTRICAL SHOCK HAZARD

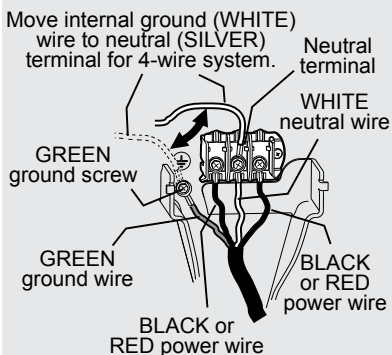
DO NOT make a sharp bend or crimp wiring/conductor at connections.

9. Follow manufacturer's guidelines for firmly securing the strain relief and power cord.
10. Reinstall the terminal block cover.



NOTE

If a terminal screw falls during cord installation, it can be retrieved in the terminal screw recovery slot below the access panel.



16 Installation Instructions

Gas connection

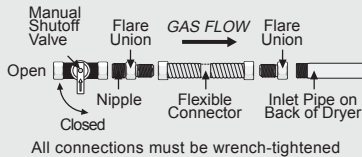
1. Remove the shipping cap from gas pipe at the rear of the dryer.



IMPORTANT

DO NOT connect the dryer to L.P. gas service without converting the gas valve. An L.P. conversion kit must be installed by a qualified gas technician.

2. Connect a 1/2 inch (1.27 cm) I.D. semi-rigid or approved pipe from gas supply line to the 3/8 inch (0.96 cm) pipe located on the back of the dryer. Use a 1/2 inch to 3/8 inch (1.27 cm to 0.96 cm) reducer for the connection. Apply an approved thread sealer that is resistant to the corrosive action of liquefied gases on all pipe connections.

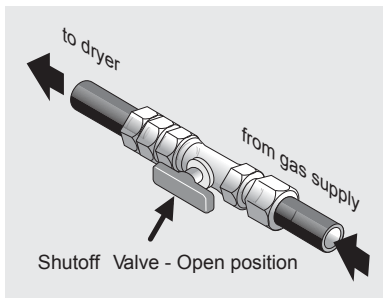


3. Open the shutoff valve in the gas supply line to allow gas to flow through the pipe. Wait a few minutes for gas to move through the gas line.



IMPORTANT

The supply line must be equipped with an approved manual shutoff valve. This valve should be located in the same room as the dryer and should be in a location that allows ease of opening and closing. **DO NOT** block access to the gas shutoff valve.



4. Check for gas system leaks with a manometer. If a manometer is not available, test all connections by brushing with a soapy water solution.



WARNING

EXPLOSION HAZARD

NEVER test for gas leaks with an open flame.



IMPORTANT

Installation to the gas service must follow local codes and ordinances and the latest edition of the National Fuel Gas Code ANSI Z223.1/NFPA 54 or in Canada, CSA B149.1.

Water connection (Steam Model only)



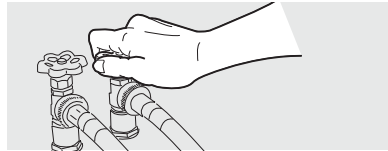
WARNING

Periodically inspect all water inlet hoses for water leaks, wear, cuts, corrosion and bulges. Replace all hoses, if any sign of the above is visible. All hoses should be replaced every 5 years to reduce the risk of hose failures.

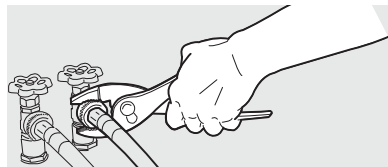
Water Supply Requirements

Cold water faucet **MUST** be installed within 42 inches (107 cm) of your dryer's water inlet. The faucet **MUST** be 3/4 inch (1.9 cm) with threading for laundry hose connection. Water pressure **MUST** be between 20 and 120 psi. Your water department can advise you of your water pressure.

1. Turn off COLD water supply to washer.



2. Remove COLD inlet hose from COLD water supply and inspect for rubber washer. Replace washer if it is torn or worn out.



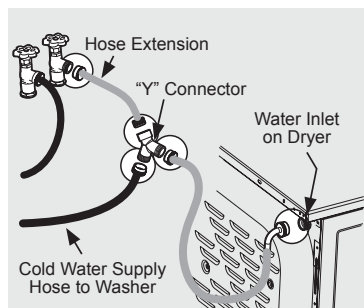
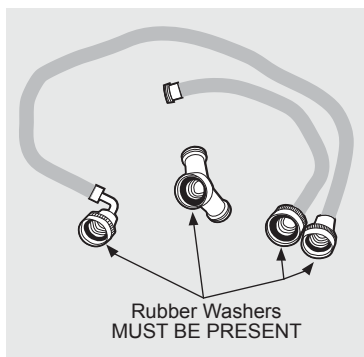
Water connection, continued (Steam Model only)



3. Momentarily turn on COLD supply and run some water into a bucket or container to clear any contaminants in the line.



4. Inspect hose couplings for proper placement of rubber washers. Use hoses from ASSEMBLY HOSE KIT# 5304495002 (not included).



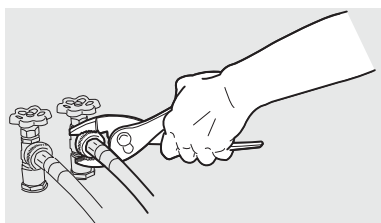
5. If your installation has room for the COLD water supply to accept the "Y" connector directly, thread the "Y" connector to the COLD water supply and snug it by hand; then tighten it another 2/3 turn with pliers.



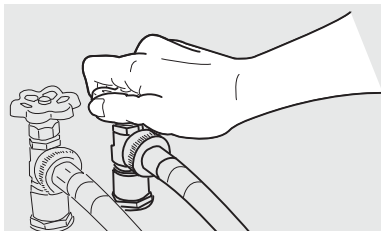
NOTE

If you were able to install the "Y" connector directly to the COLD water supply, please skip to step 8.

6. If there is not room to install the "Y" connector directly, thread the short extension hose on to the COLD water supply and snug it by hand; then tighten it another 2/3 turn with pliers.
7. Thread the "Y" connector to the short extension hose and snug it by hand; then tighten it another 2/3 turn with pliers.
8. Connect the COLD inlet hose for the washer to the "Y" connector and snug it by hand; then tighten it another 2/3 turn with pliers.
9. Connect the straight end of the long hose from the kit to the other outlet on the "Y" connector and snug it by hand. Connect the hose's 90° coupling to the brass water inlet on the back of the dryer and snug it by hand. Tighten each connection of the dryer inlet hose another 2/3 turn with pliers.



10. Turn on the water and check for leaks at all connections.



18 Installation Instructions

General installation

1. Connect the exhaust duct to the outside exhaust system. Use of a 4" (102 mm) clamp (item A) is recommended to connect the dryer to the exhaust vent system. Use metal foil tape to seal all other joints.
2. Use a carpenter's level to level your dryer front-to-back and side-to-side.
3. Use adjustable pliers to adjust the leveling legs so the dryer is level front-to-rear and side-to-side, and stable corner-to-corner.
4. Press down on alternate corners and sides and feel for the slightest movement. Adjust the appropriate leg(s) so the dryer sits solidly on the floor on ALL four legs. Keep the leveling leg extension at a minimum for best performance of the dryer.



IMPORTANT

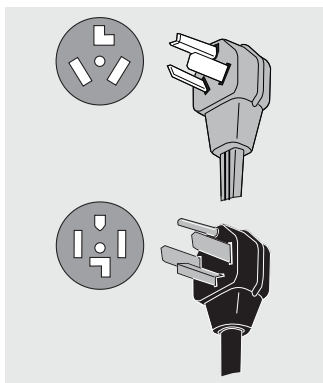
Be sure the power is off at a circuit breaker/fuse box before plugging the power cord into an outlet.

5. Plug the power cord into a grounded outlet.



WARNING

Improper grounding of the dryer may cause serious injury or death. Check with a licensed electrician if you are in doubt as to whether the appliance is properly grounded.



6. Turn on the power at the circuit breaker/fuse box.
7. Read the Use & Care Guide provided with the dryer. It contains valuable and helpful information that will save you time and money.
8. If you have any questions during initial operation, please review the "Avoid Service Checklist" in your Use & Care Guide before calling for service.
9. Place these instructions in a location near the dryer for future reference.



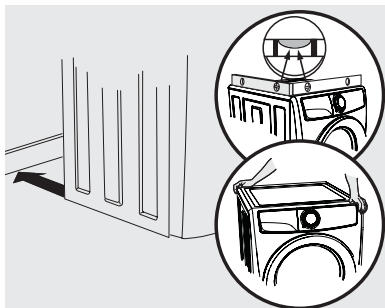
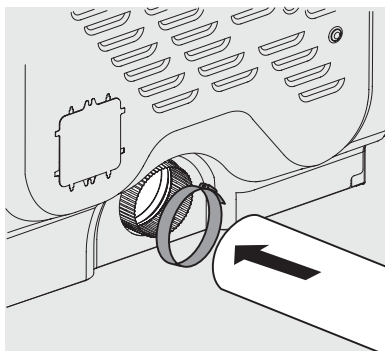
NOTE

A wiring diagram and technical data sheet are located under the dryer top panel.



CAUTION

When discarding or storing your old dryer, remove the door.





NOTE

Door reversibility is available on all dryer models.

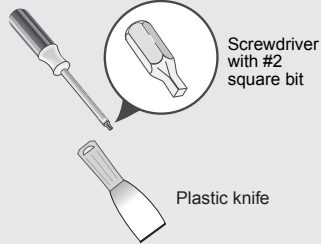


IMPORTANT

BEFORE YOU REVERSE YOUR DRYER DOOR:

1. Be sure you have adequate swing area before reversing door.
2. Gather your tools - including a screw driver with a #2 square bit and plastic knife (or small, flat prying tool that won't damage paint).
3. Be sure dryer is unplugged from power source!

Tools needed for reversal:



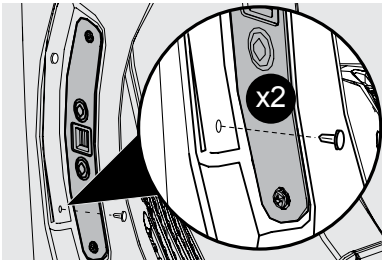
WARNING

ELECTRICAL SHOCK HAZARD

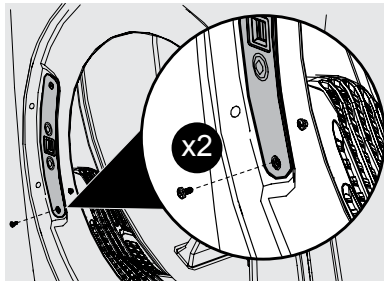
Failure to disconnect power source before servicing could result in personal injury or even death.

Removing Latch and Hole Plugs

1. Open the door.
2. Remove plastic hole plugs and save to reinstall later. You may have to use a non-scratching plastic knife if you are unable to dislodge the plugs manually.



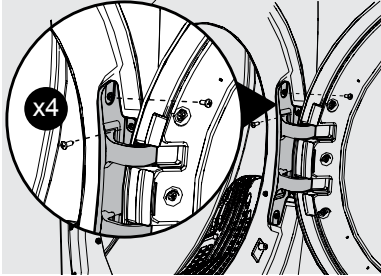
3. Remove both screws from door latch. Save latch and screws for reinstallation later.



20 Reversing Door

Removing Door Assembly

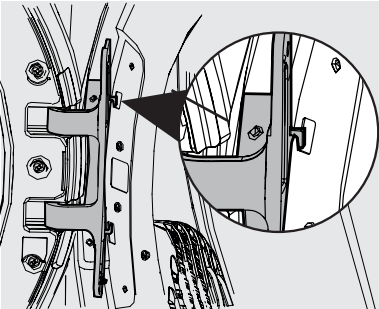
1. Completely open the door to expose all four hinge screws.
2. Remove all four hinge screws with #2 square bit driver. Save for reinstalling later.



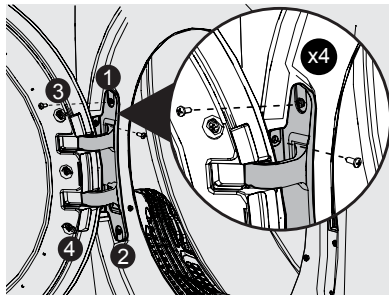
3. Grasp the door with both hands and lift slightly as you pull door and hinge away from the front panel.

Reinstalling Door Assembly

1. Rotate the door and hang the upper hook on the back of the hinge in the upper hole of the front panel.

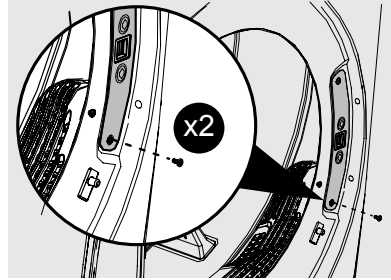


2. Reinstall and tighten all four screws removed earlier - two front screws first, then two side screws.

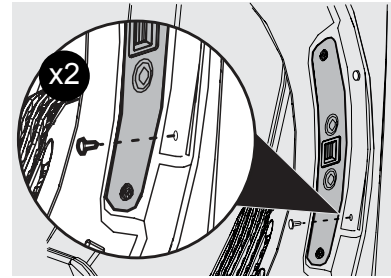


Reinstalling Latch and Hole Plugs

1. Install door latch with screws removed earlier.



2. Insert plastic hole plugs removed earlier.



Verify Reversed Door Operation

1. Test door for free, smooth swinging operation and secure latching when closed.
2. Plug in dryer and close the door. Start a test cycle: drum should tumble until door is pulled open or cycle is paused or canceled.

Accessories

MATCHING STORAGE PEDESTAL*

White Pedestal - P/N EPWD257UIW

Titanium Pedestal - P/N EPWD257UTT

A storage pedestal accessory, specifically designed for this dryer may be used to elevate the dryer for ease of use. This pedestal will add about 15" (38 cm) to the height of your unit.

*Other colors may be available. Contact the source where you purchased your dryer.

DRYER STACKING KIT

P/N STACKIT7X

Depending on the model you purchased, a kit for stacking a matching dryer on top of this washer may have been included in the initial purchase of your dryer. If your model did not include a stacking kit or you desire another stacking kit, you may order one.

LP CONVERSION KIT

P/N PCK4200

Gas dryers intended for use in a location supplied with LP must use a conversion kit prior to installation.

MOBILE HOME INSTALLATION KIT

P/N 137067200

Installations in mobile homes require use of MOBILE HOME INSTALLATION KIT.

DRYING RACK

P/N A04840701

Depending on the model you purchased, a drying rack may have been included in the initial purchase of your dryer. If your model did not include a drying rack or you desire another drying rack, you may order one.

UNIVERSAL APPLIANCE WRENCH

P/N 137019200

A UNIVERSAL APPLIANCE WRENCH is available to aid in dryer/washer/pedestal feet adjustment.

TOUCH UP PAINT PENS

White - P/N 5304468812

Titanium - P/N 5304475700

*Other colors may be available. Contact the source where you purchased your dryer.

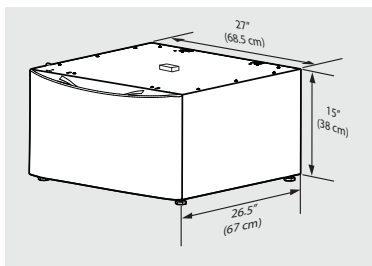
ASSEMBLY HOSE KIT

P/N 5304495002

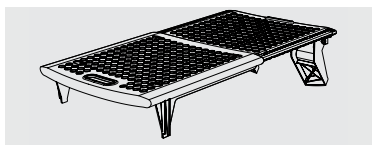


WARNING

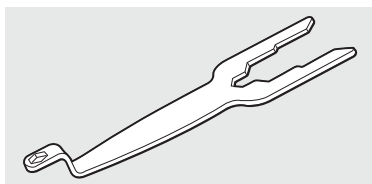
Failure to use accessories manufactured by (or approved by) the manufacturer could result in personal injury, property damage or damage to the dryer.



Storage Pedestal



Drying Rack



Universal Appliance Wrench

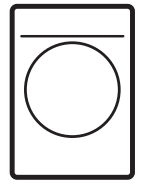
Replacement parts in U.S. and Canada

If replacements parts are needed for your dryer, you can contact the source where you purchased your dryer, call 1-877-4ELECTROLUX (1-877-435-3287) in the U.S. or 1-800-265-8352 in Canada, or visit our website, www.electroluxappliances.com in the U.S. or www.electroluxappliances.ca in Canada for the Electrolux Authorized Parts Distributor nearest you.

Notes

electrolux.com/shop





EN FRONT LOAD DRYER

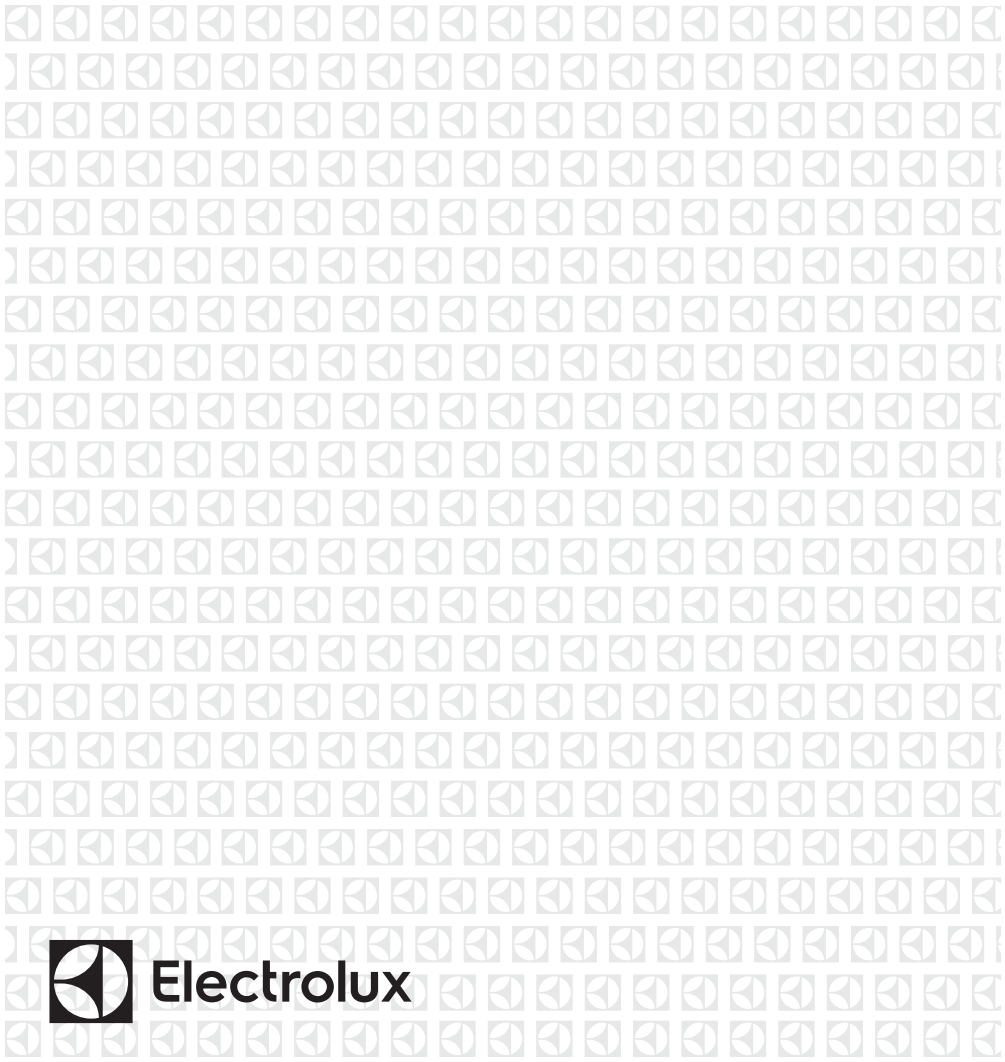
FR SÉCHEUSE À CHARGEMENT FRONTAL

ES SECADORA DE CARGA FRONTAL

INSTALLATION INSTRUCTIONS

INSTRUCTIONS D'INSTALLATION

INSTRUCCIONES DE INSTALACIÓN



2 Consignes de sécurité importantes




AVERTISSEMENT

Pour votre sécurité, les informations contenues dans ce manuel doivent être suivies afin de minimiser les risques d'incendie ou d'explosion et d'éviter les dommages matériels, les lésions corporelles ou les pertes de vie. **NE PAS** entreposer ni utiliser d'essence ou autres liquides et vapeurs inflammables près de cet électroménager ou de tout autre appareil.

Mesures de sécurité

NE PAS tenter d'installer ou de faire fonctionner votre appareil avant d'avoir lu les consignes de sécurité contenues dans le manuel. Tout au long du manuel, vous verrez des consignes de sécurité libellées Danger Avertissement ou Attention en fonction du type de risque.

Définitions

 Voici le symbole d'alerte de sécurité. Il sert à vous mettre en garde contre les risques potentiels de lésions corporelles. Respectez tous les messages de sécurité qui suivent ce symbole afin d'éviter les risques de lésions corporelles graves ou mortelles.



DANGER

La mention DANGER indique un danger imminent qui causera la mort ou des lésions corporelles graves s'il n'est pas évité.



AVERTISSEMENT

La mention AVERTISSEMENT indique une situation potentiellement dangereuse qui, si elle n'est pas évitée, peut entraîner des lésions corporelles graves, voire la mort.



ATTENTION

La mention ATTENTION signale la présence d'une situation potentiellement dangereuse qui, si elle n'est pas évitée, est susceptible de causer des lésions corporelles mineures ou moyennement graves.



IMPORTANT

Cette mention indique des renseignements importants relatifs à l'installation, au fonctionnement ou à l'entretien. Toutefois, ceux-ci n'impliquent aucune notion de danger.

Table des matières

Consignes de sécurité importantes.....	2
Exigences d'installation.....	4
Notices d'installation.....	13
Pour inverser la porte.....	21
Options	22



AVERTISSEMENT RISQUE D'INCENDIE

Lisez toutes les instructions suivantes avant d'installer et d'utiliser cet électroménager.

- Détruisez les cartons et les sacs en plastique après le déballage du système de lavage. Les enfants peuvent les utiliser pour jouer. Les boîtes de carton recouvertes de tapis, de couvre-lits, de feuilles de plastique ou de pellicule étirable peuvent se transformer en chambres hermétiques et rapidement provoquer une suffocation. Disposez de tous les matériaux dans un contenant à déchets ou rendez-les inaccessibles aux enfants.
- L'installation et la réparation de la sècheuse doivent être acquittées par un monteur qualifié, une agence de service ou votre fournisseur de gaz.
- Installer la sècheuse selon les instructions du fabricant et le code du bâtiment en vigueur.
- Le service électrique de la sècheuse doit être en conformité avec tous les codes et règlements locaux en vigueur et à la dernière édition du Code national de l'électricité, ANSI / NFPA 70, ou au Canada, au Code canadien de l'électricité CSA C22.1 partie 1.
- Le service de gaz doit être installé en conformité avec tous les codes et règlements locaux en vigueur et selon la dernière édition du National Fuel Gas Code ANSI Z223.1/NFPA 54 américain ou Code d'installation du gaz naturel et du propane CSA B149.1 au Canada. Un robinet de fermeture manuelle individuel doit être installé à moins de 1,83 m (6 pi) de la sècheuse, conformément au Code national du gaz combustible, ANSI Z223.1 / NFPA 54.
- La sècheuse est conçue selon les normes ANSI Z21.5.1 / CSA 7.1 ou UL 2158 - CAN / CSA C22.2 n° 112 (dernières éditions) pour USAGE DOMESTIQUE seulement. La sècheuse n'est pas recommandée pour les applications commerciales telles que les restaurants, les salons de beauté, etc.
- **NE PAS installer une sècheuse à l'aide de matériel d'évacuation en plastique souple ou en métal flexible. Les matériaux d'évacuation flexibles sont connus pour s'effondrer, être facilement écrasés et emprisonner les peluches. Ces conditions gênent l'écoulement de l'air de la sècheuse et augmentent les risques d'incendie.**
- **NE PAS** empiler une sècheuse sur une laveuse déjà installée sur un caisson. **NE PAS** empiler la laveuse sur une sècheuse. **NE PAS** empiler la laveuse sur une laveuse.

Les instructions contenues dans ce manuel et dans toute autre documentation fournie avec votre sècheuse ne sont pas destinées à couvrir toutes les conditions et situations possibles. Les bonnes pratiques de sécurité et la prudence DOIVENT être respectées lors de l'installation, de l'utilisation et de l'entretien de tout électroménager.

**CONSERVER CES INSTRUCTIONS POUR TOUTE
RÉFÉRENCE ULTÉRIEURE.**

4 Exigences d'installation

Lire et conserver ce guide

Merci d'avoir choisi Electrolux, la marque de choix en matière d'électroménagers. Ce guide d'utilisation et d'entretien fait partie de notre engagement envers la satisfaction du client et la qualité du produit pendant toute la durée utile de votre nouvel électroménager.

Des questions?

Pour l'assistance aux États-Unis et au Canada :
États-Unis
1-877-4ELECTROLUX (1-877-435-3287)
www.electroluxappliances.com
Canada
1-800-265-8352
www.electroluxappliances.ca

Liste de contrôle d'installation

Évacuation des gaz

- Écoulement libre, sans accumulation de peluches
- Tuyauterie de transition de 102 mm (4 po) en métal rigide ou semi-rigide d'une longueur minimale et présentant le moins de virages possibles
- AUCUNE feuille ou matériau de ventilation en plastique
- Hotte à évacuation approuvée soufflant vers l'extérieur

Mise de niveau

- La sècheuse est de niveau, d'un côté à l'autre et d'avant en arrière
- La caisse est bien assise des quatre coins

Approvisionnement en gaz (sècheuse à gaz)

- Robinet de fermeture manuelle en stock
- Tous les raccords sont scellés avec un scellant approuvé et serrés à clé
- Nécessaire de conversion au GPL
- Alimentation en ouverte
- Aucune fuite présente à tous les raccords; vérifier avec de l'eau savonneuse, **NE PAS** vérifier avec un flamme nue

Raccordement d'eau (Sélectionnez les modèles)

- Inspectez les tuyaux pour correctement positionner les rondelles en caoutchouc

- L'alimentation en eau est ouverte
- Vérifiez toute fuite
- Les sècheurs à vapeur exigent l'utilisation du KIT DE TUYAUX ASSEMBLY Réf 5304495002 (non inclus) et doivent être achetés séparément.

Alimentation électrique 240 V (sècheuse électrique)

- Cordon électrique homologué NEMA 10-30 ou 14-30 avec toutes les vis serrées sur le bornier
- Étrier de décharge de traction approuvé installé
- Couverture d'accès au terminal installé avant la mise en service

Inversion de porte

- Suivez les instructions détaillées de ce guide
- Mise à l'essai de la charnière et du taquet

Alimentation électrique

- Alimentation secteur en marche
- Sècheuse branchée

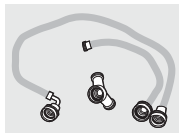
Vérifications finales

- Lire attentivement les notices d'installation et le manuel d'entretien et d'utilisation
- La porte se verrouille et le tambour tourne lorsque le cycle commence
- Le certificat d'enregistrement a été envoyé

Outils et matériaux nécessaires à l'installation :



Le KIT DE TUYAUX ASSEMBLY - Réf 5304495002, pour les modèles à vapeur uniquement, n'est pas inclus et doit être acheté séparément.



AVERTISSEMENT

RISQUE D'INCENDIE

- Le non-respect des consignes de sécurité peut entraîner des dommages matériels ou des lésions corporelles graves, voire la mort.
- NE PAS** installer de ventilateur d'appoint dans le conduit d'évacuation de la sècheuse.
- Installez toutes les sècheuses conformément aux instructions d'installation du manuel.

Besoins pour une installation électrique



REMARQUE

En raison de possibilités de tension potentiellement variables, il est déconseillé d'utiliser votre sècheuse à l'énergie produite par des générateurs au gaz, à l'énergie solaire, éoliens ou tout autre générateur que ceux de votre distributeur local.

Exigences électriques pour sècheuse électrique :

CIRCUITERIE – circuit de dérivation individuel de 30 A, protégé par des fusibles temporisés ou des disjoncteurs de 30 A. Utilisez des circuits à fusibles distincts pour la laveuse et la sècheuse. **NE PAS** faire fonctionner la laveuse et la sècheuse sur le même circuit.

ALIMENTATION – Trois ou 4 fils, 120/240 V CA, 1Φ, 60 Hz.



REMARQUE

Utiliser une alimentation de 120/240 V CA, 1Φ, 60 Hz avec les sècheuses dont la plaque signalétique l'indique.



IMPORTANT

Les sècheuses sont mises à la terre par le conducteur neutre sauf celles fabriquées pour vente au Canada. Seul un cordon à 4 conducteurs doit être utilisé lorsque l'appareil est installé dans un endroit où la mise à la terre par le conducteur neutre est interdite. La mise à la terre par le conducteur neutre est interdite pour : (1) les nouvelles installations de circuits de dérivation; (2) les maisons mobiles; (3) les véhicules récréatifs; et (4) les endroits où le code du bâtiment en vigueur **NE PERMET PAS** la mise à la terre par le fil neutre.

6 Exigences d'installation

CORDON D'ALIMENTATION À 3 FILS (non fourni)



Prise à 3 fils
(NEMA type 10-30R)

La sècheuse DOIT utiliser un cordon électrique à 3 conducteurs NEMA 10-30 de type SRDT à tension nominale minimum de 240V CA, 30 ampères, avec 3 cosses à fourche à extrémités relevées ou connecteurs à boucle fermée et clairement identifiées pour utilisation avec les sècheuses. Pour les instructions de connexion du cordon à 3 fils, voir RACCORDEMENTS ÉLECTRIQUES POUR UN SYSTÈME À 3 FILS.

PRISE DE DISTRIBUTION – Prise NEMA 10-30R placée de façon à ce que le cordon électrique soit accessible lorsque la sècheuse est en position de service.

CONNEXION DE MISE À LA TERRE – Voir « Exigences de mise à la terre » à la section Installation électrique.

CORDON D'ALIMENTATION À 4 FILS (non fourni)



Prise à 4 fils
(NEMA type 14-30R)

La sècheuse DOIT utiliser un cordon électrique à 4 conducteurs NEMA 14-30 de type SRDT ou DRT (le cas échéant) à tension nominale minimum de 240V CA, 30 ampères, avec 4 cosses à fourche à extrémités relevées ou connecteurs à boucle fermée et clairement identifiées pour utilisation avec les sècheuses. Pour les instructions de connexion du cordon à 4 fils, voir RACCORDEMENTS ÉLECTRIQUES POUR UN SYSTÈME À 4 FILS.



REMARQUE

Les sècheuses fabriquées au Canada ont un cordon électrique à 4 fils installé en usine (NEMA 14-30).

PRISE DE DISTRIBUTION – Prise NEMA 14-30R placée de façon à ce que le cordon électrique soit accessible lorsque la sècheuse est en position de service.

CONNEXION DE MISE À LA TERRE – Voir « Exigences de mise à la terre » à la section Installation électrique.

Exigences électriques pour sècheuse à gaz :

CIRCUITERIE – Circuit de dérivation individuel de 15 A, protégé par des fusibles temporisés ou des disjoncteurs de 15 A.

ALIMENTATION – 2 fils avec mise à la terre, 120 V CA, 1Φ, 60 Hz.

CORDON D'ALIMENTATION – Séchoir est équipé d'un cordon électrique de 120 V à 3 fils.

CONNEXION DE MISE À LA TERRE – Voir « Exigences de mise à la terre » à la section Installation électrique.



AVERTISSEMENT

Une mise à la terre inadéquate de la sècheuse peut occasionner des lésions corporelles graves, voire la mort. Si vous avez des doutes quant à la mise à la terre de l'électroménager, validez avec un dépanneur ou un électricien qualifié.

Tomacorriente de pared con
conexión a tierra



Bajo ninguna
circunstancia corte,
extraiga o desvíe
las patas de
conexión a tierra.



Cable de alimentación
con enchufe de tres patas
con conexión a tierra

Besoins pour une installation au gaz



AVERTISSEMENT RISQUE D'EXPLOSION

Les tuyaux de cuivre non revêtus exposés au gaz naturel corrodent; cela qui provoque des fuites de gaz. Utilisez UNIQUEMENT du fer noir, de l'acier inoxydable ou de la tuyauterie en laiton revêtu de plastique pour les installations au gaz.

Besoins pour une installation au gaz (suite)

1. L'installation de cet appareil DOIT être réalisée en conformité avec le code du bâtiment en vigueur; en l'absence de codes locaux, elle doit être conforme au code national avec le code national du gaz combustible, ANSI Z223.1 (récente édition), en matière d'installations au propane ou autres carburants gazeux.
2. La conduite d'alimentation en gaz doit être construite en tuyau de 1,27 cm (1/2 po).
3. Si les codes le permettent, des tuyaux métalliques flexibles peuvent être utilisés pour connecter votre sècheuse à la conduite d'alimentation en gaz. Les conduites DOIVENT être en acier inoxydable ou en laiton revêtu de plastique.
4. La conduite d'alimentation en gaz DOIT être munie d'un robinet distinct installé conformément au code national B149.1 en matière d'installations au propane ou autres carburants gazeux.
5. Un bouchon fileté de 0,32 cm (1/8 po) de norme NPT accessible pour le raccordement du manomètre DOIT être installé immédiatement en amont du raccord d'alimentation en gaz de la sècheuse.
6. La sècheuse DOIT être débranchée du réseau de canalisation d'alimentation en gaz pendant toute mise à l'essai de pression du réseau d'alimentation à des pressions supérieures à 3,45 kPa (1/2 psi).
7. La sècheuse DOIT être isolée du réseau de canalisation d'alimentation en gaz pendant toute mise à l'essai de pression du réseau d'alimentation à des pressions égales ou inférieures à 3,45 kPa (1/2 psi).
8. Les raccords d'alimentation doivent être conformes à la norme ANSI Z21.24 / CSA 6.10 en matière de raccords pour électroménagers à gaz.

Exigences du système d'évacuation

Utilisez uniquement une conduite métallique rigide ou semi-rigide d'au moins 102 mm (4 po) de diamètre et un évent approuvé doté d'un ou plusieurs volets pivotants qui s'ouvrent lorsque la sècheuse est en marche. Lorsque la sècheuse s'arrête, les registres se ferment automatiquement pour éviter l'entrée de courants d'air, d'insectes et de rongeurs.

Pour éviter de restreindre la sortie, maintenez un dégagement d'au moins 30,5 cm (12 po) entre l'évent et le sol ou toute autre obstruction.



AVERTISSEMENT

RISQUE D'INCENDIE

Le non-respect de ces instructions peut entraîner des temps de séchage excessifs ou des risques d'incendie.

Les exigences spécifiques pour un fonctionnement correct et sécuritaire de votre sècheuse sont énumérées ci-après.

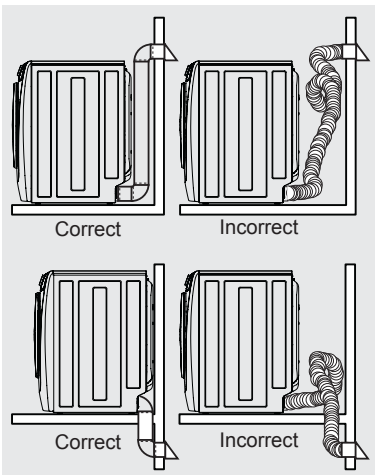


AVERTISSEMENT

RISQUE D'INCENDIE

N'UTILISEZ PAS de matériel d'évacuation en plastique ou en feuille métallique flexible pour l'installation de la sècheuse. Les matériaux d'évacuation flexibles sont reconnus comme étant susceptibles de s'effondrer, d'être facilement écrasés et d'emprisonner la charpie. Ces conditions pourraient bloquer l'écoulement de l'air de votre sècheuse et accroître les risques d'incendie.

Si votre système actuel comporte une conduite en plastique ou en feuille métallique, remplacez-la par une conduite métallique rigide ou semi-rigide. Assurez-vous que la conduite actuelle est exempte de charpie avant de la relier à la conduite de la sècheuse.



8 Exigences d'installation

Exigences du système d'évacuation (suite)



AVERTISSEMENT

RISQUE D'INCENDIE

- Le non-respect des consignes de sécurité peut entraîner des dommages matériels ou des lésions corporelles graves, voire la mort.
- NE PAS** installer de ventilateur d'appoint dans le conduit d'évacuation de la sècheuse.
- Installez toutes les sècheuses conformément aux instructions d'installation du manuel.



AVERTISSEMENT

RISQUE D'INCENDIE

Une sècheuse doit être évacuée à l'extérieur. **NE PAS** évacuer la sècheuse dans une cheminée, un mur, un plafond, un grenier, un vide sanitaire ou tout autre espace caché d'un bâtiment. Une sècheuse produit des peluches combustibles. Si la sècheuse n'est pas évacuée à l'extérieur, des peluches fines sont expulsées dans la salle de lavage. Une accumulation de peluches dans tout secteur de la maison peut créer un risque potentiel pour la santé et un risque d'incendie.

La sècheuse doit être raccordée à une sortie extérieure. Inspectez régulièrement l'orifice d'évacuation extérieur et éliminez toute accumulation de peluches autour de l'orifice et dans les environs.



AVERTISSEMENT

RISQUE D'INCENDIE

- NE PAS** laisser de matériaux combustibles (par exemple : des vêtements, tentures ou rideaux, papier) entrer en contact avec le système d'évacuation. La sècheuse **NE DOIT PAS** être évacuée dans une cheminée, un mur, un plafond ou tout autre espace caché d'un bâtiment qui pourrait accumuler de peluches; cela peut provoquer un incendie.



AVERTISSEMENT

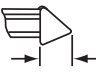
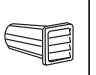
RISQUE D'INCENDIE

- NE PLACEZ PAS DE GRILLAGE** aux extrémités du système d'évacuation et n'utilisez pas de vis, rivet ou autre fixation pénétrant dans la conduite pour rallonger système. **L'ouverture d'évacuation de l'air ne doit jamais être couverte par une grille ou une crépine de quelque taille que ce soit. La charpie peut rester coincée dans la grille, la crépine, ou sur les vis ou les rivets, ce qui bloquerait les conduites et créerait un risque d'incendie tout en augmentant le temps de séchage.** Utilisez un événement approuvé pour clore la conduite à l'extérieur et scellez tous les joints avec du ruban métallique. Toutes les extrémités mâles des conduites **DOIVENT** être installées en aval de l'écoulement de l'air.



AVERTISSEMENT

Dépassez la longueur de conduit ou du nombre de coudes autorisés dans les tableaux « LONGUEUR MAXIMALE » peut provoquer une accumulation de peluches dans le système d'évacuation. Obstruer le système peut créer un risque d'incendie et augmenter les temps de séchage.

Nombre de coudes à 90°	LONGUEUR MAXIMALE de 102 mm (4 po) en conduit métallique rigide	
	TYPE DE HOTTE À ÉVACUATION	
	PRÉFÉRÉE	
	 10,2 cm (4")	 en persiennes 6,35 cm (2,5")
0	38 m (125 pi)	33,5 m (110 pi)
1	35 m (115 pi)	30,5 m (100 pi)
2	32 m (105 pi)	27,5 m (90 pi)
3	29 m (95 pi)	24,5 m (80 pi)
4	26 m (85 pi)	21,5 m (70 pi)

Exigences du système d'évacuation (suite)



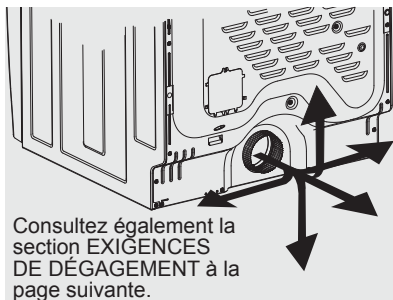
AVERTISSEMENT

RISQUE D'INCENDIE

- **NE PAS** installer de matériel de ventilation en plastique souple ou en métal souple.
- **Si vous installez une évacuation semi-rigide, NE PAS excéder la longueur de conduit maximale de 2,4 m (8 pi).**

Direction de la sortie extérieure

On peut obtenir une sortie directionnelle en installant un coude de ventilation à 90° directement à la sortie d'évacuation de la sècheuse. Les coudes de ventilation de sècheuse sont disponibles auprès de votre distributeur local ou dans une quincaillerie.



Consultez également la section **EXIGENCES DE DÉGAGEMENT** à la page suivante.



REMARQUE

Utiliser un coude à rotation rapide de 90° pour respecter la profondeur d'installation minimale.



AVERTISSEMENT

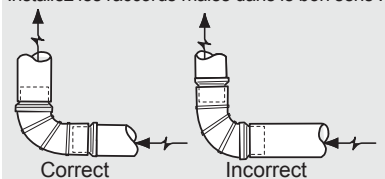
RISQUE D'INCENDIE

NE PAS installer la sècheuse dans des endroits où de l'essence ou d'autres produits inflammables sont conservés ou entreposés. Si la sècheuse est installée dans un garage, elle doit être située au moins à 45,7 cm (18 po) au-dessus du sol. Tout non-respect peut provoquer une explosion, un incendie ou des brûlures graves.

Dans les installations où le système d'évacuation n'est pas décrit dans les tableaux, la méthode suivante doit être utilisée pour déterminer s'il est acceptable :

1. Raccordez un manomètre incliné ou numérique entre la sècheuse et le point de la sortie relié à la sècheuse.
2. Réglez la minuterie et la température sur < air fluff > (cycle d'action bouffante) et démarrez la sècheuse.
3. Lisez la pression sur le manomètre.
4. La contre-pression du système **NE DOIT PAS** être supérieure à 249 P (1,0 po de colonne d'eau). Une contre-pression inférieure à 249 P (1,0 po de colonne d'eau) est acceptable. Si la lecture du manomètre est supérieure à 249 P (1,0 po de colonne d'eau), le système est trop restrictif et l'installation est inacceptable.

Installez les raccords mâles dans le bon sens :



Bien que l'orientation verticale du système d'évacuation soit acceptable, certaines circonstances atténuantes peuvent affecter la performance de la sècheuse :

- Seule une gaine métallique rigide doit être utilisée.
- Un évent vertical à travers un toit peut exposer le système d'évacuation aux courants d'air descendants augmentant la restriction d'évacuation.
- Faire passer le système d'évacuation à travers une zone non isolée peut entraîner la formation de condensation et par le fait, une accumulation plus rapide de peluches.
- La compression ou le gaufrage du système d'évacuation augmente la restriction d'évacuation.
- **Le système d'évacuation doit être inspecté et nettoyé au moins tous les 18 mois dans des conditions normales d'utilisation.** Plus la sècheuse est utilisée, plus souvent le système d'évacuation et la hotte à évacuation doivent être vérifiés pour en assurer le bon fonctionnement et qu'ils ne sont pas obstrués.

10 Exigences d'installation

Installation dans des maisons préfabriquées ou maisons mobiles

1. L'installation DOIT respecter les normes actuelles de construction et de sécurité des maisons préfabriquées, titre 24 CFR, partie 32-80 (anciennement norme fédérale sur la construction et la sécurité des maisons mobiles, titre 24, HUD partie 280) ou norme CAN / CSAZ240 MH.
2. La sècheuse DOIT être évacuée à l'extérieur (à l'extérieur et non pas sous la maison mobile) à l'aide de conduits métalliques qui ne favorisent pas la combustion. Les conduits métalliques doivent mesurer 10,16 cm (4 po) de diamètre sans obstruction. Un conduit métallique rigide est de premier choix.
3. Si la sècheuse est évacuée par le plancher et que la zone sous la maison mobile est fermée, le système d'évacuation DOIT se terminer à l'extérieur du vide sanitaire, son extrémité solidement fixée à une partie non combustible de la structure de la maison mobile.
4. Reportez-vous aux sections précédentes du guide pour connaître les autres exigences importantes en matière de système d'évacuation d'air.
5. Lors de l'installation d'un séchoir à gaz dans une maison mobile, une provision doit être faite pour un appoint d'air de l'extérieur. Cette disposition ne doit pas être inférieure à deux fois la superficie de la sortie d'évacuation de la sècheuse.
6. L'installateur DOIT ancrer la (1) sècheuse ou (2) la sècheuse montée sur le piédestal au sol avec le nécessaire d'installation pour maison mobile approuvé – réf. 137067200.

Dégagements



IMPORTANT

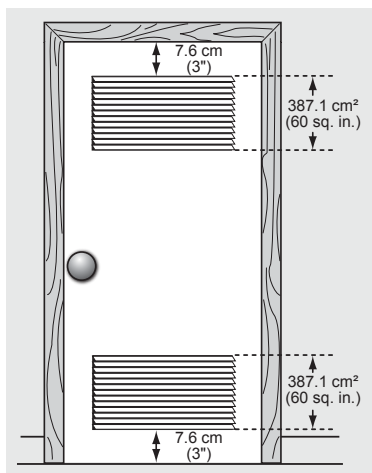
NE PAS INSTALLER VOTRE SÈCHEUSE :

1. dans un endroit exposé aux gouttes et aux éclaboussures d'eau ou aux conditions météorologiques extérieures;
2. dans un endroit où elle peut venir en contact avec des rideaux, des tentures ou tout ce qui peut obstruer le flux d'air de combustion et de ventilation; ou
3. sur un tapis. Le plancher DOIT être robuste avec une inclinaison maximale de 2,5 cm (1 po).
2. Aucun autre appareil à combustion ne doit être installé dans le même placard qu'une sècheuse à gaz.
3. Votre sècheuse a besoin d'espace tout autour pour une ventilation adéquate. **NE PAS** installer votre sècheuse dans un placard avec une porte solide.
4. Ventilation de porte de placard requise : un minimum de 774,2 cm² (120 po²) d'ouverture, également divisé entre le haut et le bas de la porte est nécessaire. Les ouvertures doivent être situées à 7,6 cm (3 po) du bas et du haut de la porte. Les ouvertures doivent être dégagées lorsqu'une porte est installée. Une porte à persiennes avec des ouvertures d'air équivalentes sur toute sa longueur est acceptable.

Installation dans une niche ou un placard

1. Une sècheuse installée dans une chambre à coucher, une salle de bain, une niche ou un placard DOIT être évacuée à l'extérieur.

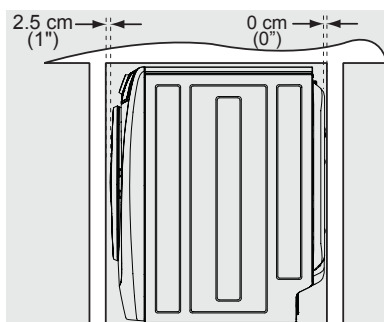
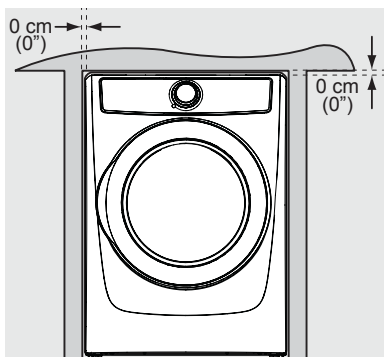
Dégagements (suite)



Porte de placard

DÉGAGEMENTS MIN. D'INSTALLATION – cm (po)				
	Côtés	Arrière	Haut	Devant
Alcôve	0 cm (0 po)	0 cm (0 po) *	0 cm (0 po)	S. O.
Sous le comptoir	0 cm (0 po)	0 cm (0 po) *	0 cm (0 po)	S. O.
Placard	0 cm (0 po)	0 cm (0 po) *	0 cm (0 po)	2,5 cm (1")

•Fou autre qu'un évent direct, il faut installer un coude d'aération rapide à 90 ° pour obtenir une installation de 0 cm (0 po).

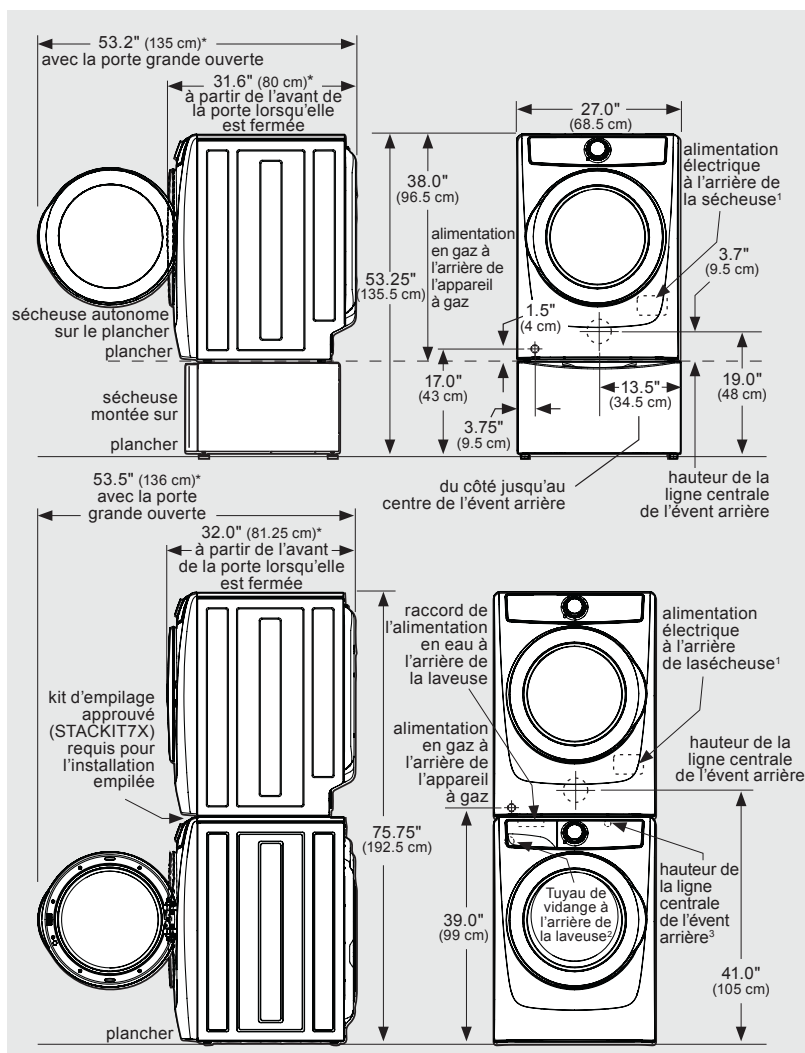


REMARQUE

Pour réaliser une installation avec un dégagement de 0 cm (0 po) à l'arrière de la sécheuse (autre que la ventilation directe), il faut installer un coude d'évent de 90 ° comme décrit précédemment dans ce manuel.

12 Exigences d'installation

Dimensions de la sécheuse



* Le raccord du tuyau d'arrivée d'eau d'une sécheuse à vapeur ajoute 2 cm (3/4 po) à la profondeur d'installation.

¹ Le cordon électrique d'une sécheuse électrique ou à gaz fabriquée au Canada mesure environ 152,5 cm (60 po).

² Le tuyau de vidange de la laveuse mesure 150 cm (59 po).

³ Le cordon électrique d'une laveuse mesure environ 152,5 cm (60 po).

Installation électrique

Les exigences spécifiques pour un fonctionnement correct et sécuritaire de votre sècheuse sont énumérées ci-après. Le non-respect de ces instructions peut provoquer une décharge électrique ou un risque d'incendie.



AVERTISSEMENT

RISQUE DE DÉCHARGE ÉLECTRIQUE

- Cet appareil DOIT être mis à la terre adéquatement. Il y a risque de décharge électrique si la sècheuse n'est pas correctement mise à la terre. Respectez les consignes de mise à la terre mentionnées dans ce manuel.
- **NE PAS** utiliser de rallonge avec cet appareil. Certaines rallonges ne sont pas conçues pour accueillir les valeurs de courant électrique utilisées par la sècheuse et peuvent fondre; cela crée un risque de décharge électrique ou d'incendie. Installez la sècheuse à portée de la prise du cordon électrique à acheter tout en permettant un peu de mou. Reportez-vous aux conditions préalables à l'installation du manuel pour déterminer le cordon électrique à acheter.



AVERTISSEMENT

RISQUE DE DÉCHARGE ÉLECTRIQUE

- Un étrier de décharge de traction homologué UL doit être installé sur le cordon électrique. En l'absence d'un étrier de décharge de traction, le cordon peut être tiré hors de la sècheuse ou coupé par tout mouvement du cordon; cela peut provoquer une décharge électrique.
- **NE PAS** utiliser une prise à fils d'aluminium avec un cordon et une fiche en cuivre (ou vice versa). Une réaction chimique se produit entre le cuivre et l'aluminium et peut provoquer des courts-circuits. Le câblage et la prise appropriés sont un cordon électrique en cuivre avec une prise câblée en cuivre.



REMARQUE

Les temps de séchage des sècheuses fonctionnant sur une alimentation de 208 V CA sont plus longs que ceux des sècheuses fonctionnant avec sur une tension de 240 V CA.

Exigences de mise à la terre – sècheuse électrique (É.-U.)



AVERTISSEMENT

Une mise à la terre inadéquate de la sècheuse peut occasionner des lésions corporelles graves, voire la mort. Si vous avez des doutes quant à la mise à la terre de l'électroménager, validez avec un dépanneur ou un électricien qualifié.

Pour une sècheuse mise à la terre par le cordon électrique :

1. La sècheuse DOIT être mise à la terre. En cas de défectuosité ou de panne, la mise à la terre réduit le risque de décharge électrique en créant un cheminement de moindre résistance pour le courant électrique.
2. Après avoir acheté et installé un cordon électrique à 3 ou 4 fils doté d'un conducteur de mise à la terre et d'une fiche de mise à la terre conformes à votre système de câblage, la fiche DOIT être branchée sur une prise appropriée en conformité avec tous les codes et règlements locaux en vigueur. En cas de doute, appelez un électricien agréé.
3. **NE PAS** modifiez la fiche que vous avez installée sur l'électroménager. Si la fiche ne rentre pas dans la prise, faites installer une prise adéquate par un électricien qualifié.

Pour une sècheuse connectée en permanence :

La sècheuse DOIT être connectée à une boîte de câblage permanente en métal avec mise à la terre. En autre cas, un conducteur de mise à la terre doit être installé avec les autres conducteurs du circuit et connecté à la borne ou au fil de mise à la terre de l'électroménager.

14 Notices d'installation

Exigences de mise à la terre – sècheuse électrique (Canada)



AVERTISSEMENT

Une mise à la terre inadéquate de la sècheuse peut occasionner des lésions corporelles graves, voire la mort. Si vous avez des doutes quant à la mise à la terre de l'électroménager, validez avec un dépanneur ou un électricien qualifié.

Pour une sècheuse mise à la terre par le cordon électrique :

1. La sècheuse **DOIT** être mise à la terre. En cas de défectuosité ou de panne, la mise à la terre réduit le risque de décharge électrique en créant un cheminement de moindre résistance pour le courant électrique.
2. Puisque votre sècheuse est équipée d'un cordon électrique à doté d'un conducteur et d'une fiche de mise à la terre, la fiche **DOIT** être branchée sur une prise appropriée installée et mise à la terre adéquatement en conformité avec tous les codes et règlements locaux en vigueur. En cas de doute, appelez un électricien agréé.
3. **NE PAS** modifier le cordon électrique fourni avec l'appareil. Si la fiche ne rentre pas dans la prise, faites installer une prise adéquate par un électricien qualifié.

Exigences de mise à la terre – sècheuse à gaz (É.-U. et Canada)

1. La sècheuse est munie d'une fiche à trois broches avec mise à la terre pour assurer votre protection contre les décharges électriques. Cette fiche doit être branchée directement dans une prise adéquatement mise à la terre.
2. La fiche doit être branchée dans une prise appropriée qui est correctement installée et mise à la terre conformément à tous les codes et règlements locaux. En cas de doute, appelez un électricien agréé.
3. **NE PAS** modifier le cordon d'alimentation fourni avec l'appareil. Si la fiche ne rentre pas dans la prise, faites installer une prise adéquate par un électricien qualifié.



AVERTISSEMENT

Une mise à la terre inadéquate de la sècheuse peut occasionner des lésions corporelles graves, voire la mort. Si vous avez des doutes quant à la mise à la terre de l'électroménager, validez avec un dépanneur ou un électricien qualifié.

Tomacorriente de pared con conexión a tierra



Bajo ninguna circunstancia corte, extraiga o desvíe las patas de conexión a tierra.



Cable de alimentación con enchufe de tres patas con conexión a tierra

Raccord électrique (autre que le Canada) – cordon à 3 fils



Prise à 3 fils
(NEMA de type 10-30R)



AVERTISSEMENT

RISQUE DE DÉCHARGE ÉLECTRIQUE

Omettre de couper le courant avant une réparation peut entraîner des lésions corporelles, voire la mort.



AVERTISSEMENT

RISQUE ÉLECTRIQUE

Lors de l'entretien des commandes, étiquetez tous les fils avant de les déconnecter. Les erreurs de câblage peuvent être la cause d'un mauvais ou d'un fonctionnement dangereux. Vérifiez que tout fonctionne bien après tous vos travaux d'entretien.

1. Coupez l'alimentation à la prise murale.
2. Retirez la vis retenant le couvercle d'accès du bornier dans le coin inférieur à l'arrière de la sècheuse.
3. Installez un étrier de décharge de traction homologué UL conformément aux instructions du fabricant de cordon et de l'étrier dans le trou d'entrée du cordon électrique sous le panneau d'accès. À ce point, l'étrier de décharge de traction doit être maintenu lâchement en place.
4. Enfillez un cordon électrique DÉBRANCHÉ NEMA 10-30 de 30 A, de type SRDT homologué UL à travers l'étrier.
5. Raccordez le conducteur neutre (câble central) du cordon électrique à la borne centrale ARGENT du bornier. Serrez fermement la vis.
6. Attachez les deux autres conducteurs du cordon électrique aux bornes de LAITON du bornier. Serrez fermement les deux vis.



AVERTISSEMENT

RISQUE DE DÉCHARGE ÉLECTRIQUE

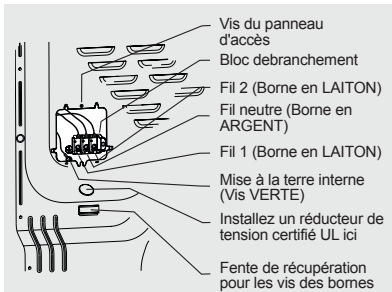
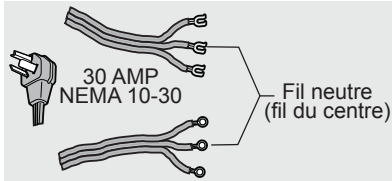
ÉVITEZ toute courbure à court rayon ou d'écraser un fil ou un conducteur au raccord.

7. Suivez les directives du fabricant pour sécuriser fermement l'étrier de décharge de traction et le cordon électrique.
8. Réinstallez le couvercle du bornier.



IMPORTANT

Si vous déplacez la sècheuse d'un système à 4 fils et l'installez sur un système à 3 fils, déplacez le fil de mise à la terre interne de la borne centrale vers la vis VERTE près du bornier.

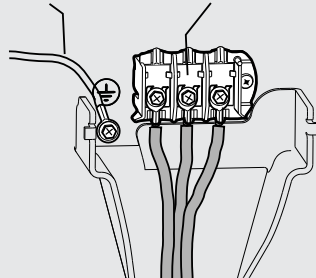


REMARQUE

Si une vis de borne tombe pendant l'installation du cordon, elle peut être récupérée dans la fente de récupération de vis de borne située sous le panneau d'accès.

N'ENLEVEZ PAS la mise à la terre interne dans un système à trois fils!

Borne neutre



16 Notices d'installation

Raccord électrique (autre que le Canada) – cordon à 4 fils



Prise à 4 fils
(NEMA de type 14-30R)



AVERTISSEMENT

RISQUE DE DÉCHARGE ÉLECTRIQUE

Omettre de couper le courant avant une réparation peut entraîner des lésions corporelles, voire la mort.



AVERTISSEMENT

RISQUE ÉLECTRIQUE

Lors de l'entretien des commandes, étiquetez tous les fils avant de les déconnecter. Les erreurs de câblage peuvent être la cause d'un mauvais ou d'un fonctionnement dangereux. Vérifiez que tout fonctionne bien après tous vos travaux d'entretien.

1. Coupez l'alimentation à la prise murale.
2. Retirez la vis retenant le couvercle d'accès du bornier dans le coin inférieur à l'arrière de la sècheuse.
3. Installez un étrier de décharge de traction homologué UL conformément aux instructions du fabricant de cordon et de l'étrier dans le trou d'entrée du cordon électrique sous le panneau d'accès. À ce point, l'étrier de décharge de traction doit être maintenu lâchement en place.
4. Enfilez un cordon électrique DÉBRANCHÉ NEMA 14-30 de 30 A, de type DRT ou SRDT homologué UL à travers l'étrier.
5. Débranchez le fil intérieur de mise à la terre (BLANC) du faisceau de la sècheuse de la vis de mise à la terre (VERTE) près du bornier.
6. Raccordez le fil du cordon électrique de mise à la terre (VERT) à la vis de mise à la terre de la cuve (VERTE). Serrez fermement la vis.
7. Déplacez le fil intérieur de mise à la terre (BLANC) du faisceau de la sècheuse vers le bornier et raccordez-le avec le fil d'alimentation neutre (BLANC) à la borne centrale ARGENT du bornier. Serrez fermement la vis.
8. Raccordez les deux autres fils (ROUGE et NOIR) du cordon électrique aux bornes de LAITON du bornier. Serrez fermement les deux vis.

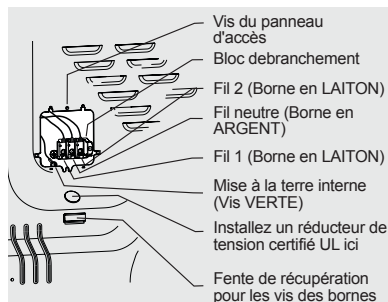
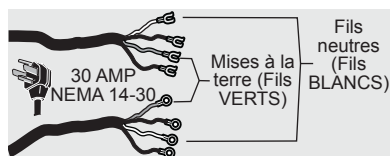


AVERTISSEMENT

RISQUE DE DÉCHARGE ÉLECTRIQUE

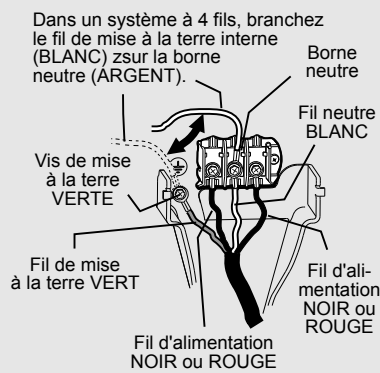
ÉVITEZ toute courbure à court rayon ou d'écraser un fil ou un conducteur au raccord.

9. Suivez les directives du fabricant pour sécuriser fermement l'étrier de décharge de traction et le cordon électrique.
10. Réinstallez le couvercle du bornier.



REMARQUE

Si une vis de borne tombe pendant l'installation du cordon, elle peut être récupérée dans la fente de récupération de vis de borne située sous le panneau d'accès.



Raccordement au gaz

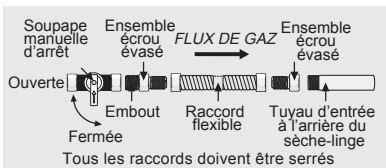
1. Retirez le bouchon d'expédition du tuyau de gaz à l'arrière de la sècheuse.



IMPORTANT

NE PAS raccorder la sècheuse au service de gaz LP sans avoir modifié le robinet de gaz. Un nécessaire de conversion LP doit être installé par un monteur d'installations au gaz agréé.

2. Raccordez un tuyau semi-rigide ou un autre tuyau de type approuvé de 1,27 cm Di (1/2 po) au tuyau de 0,96 cm (3/8 po) situé à l'arrière de la sècheuse. Utilisez un réducteur de 1,27 à 0,96 cm (1/2 à 3/8 po) pour la connexion. Appliquez un enduit d'étanchéité pour raccords filetés homologué et résistant à l'action corrosive des gaz liquéfiés sur tous les raccords de tuyaux.

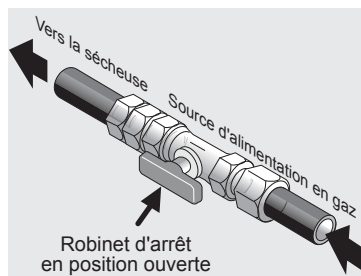


3. Ouvrez le robinet de la conduite d'alimentation en gaz pour permettre au gaz de circuler dans le tuyau. Attendez quelques minutes pour laisser circuler le gaz dans la conduite de gaz.



IMPORTANT

La conduite d'alimentation doit être équipée d'un robinet de fermeture manuel approuvé. Le robinet doit être dans la même pièce que la sècheuse et situé dans un endroit qui facilite son ouverture et fermeture. **NE PAS** bloquer l'accès au robinet de fermeture.



4. Vérifiez les fuites du système de gaz avec un manomètre. Si un manomètre n'est pas disponible, vérifiez toutes les connexions avec une solution d'eau savonneuse.



AVERTISSEMENT

RISQUE D'EXPLOSION

NE PAS tenter de détecter des fuites de gaz avec une flamme nue.



IMPORTANT

Le service de gaz doit être installé conformément à tous les codes et règlements locaux et selon la dernière édition du National Fuel Gas Code ANSI Z223.1/NFPA 54 américain ou CSA B149.1 au Canada.

Raccordement de l'eau (modèle vapeur seulement)



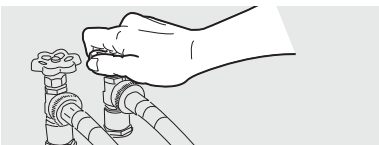
AVERTISSEMENT

Inspectez périodiquement tous les tuyaux d'arrivée d'eau en cas de fuites, d'usure, de coupures, de corrosion et de bombements. Remplacez tous les tuyaux, au moindre signe de ce qui précède. Tous les tuyaux doivent être remplacés tous les 5 ans afin de réduire les risques d'avaries.

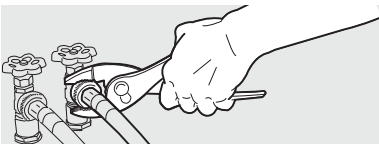
Besoins d'alimentation en eau

Le robinet d'eau froide DOIT être installé à moins de 107 cm (42 po) de l'entrée d'eau de votre sècheuse. Le robinet DOIT mesurer 1,9 cm Di (3/4 po) avec filetage pour le raccordement du tuyau de la laveuse. La pression d'eau DOIT indiquer entre 137 et 827 kPa (20 et 120 psi). Votre service des eaux peut vous renseigner sur votre pression d'eau domestique.

1. Fermez l'alimentation en eau FROIDE de la laveuse.



2. Retirez le tuyau d'arrivée de l'alimentation en eau FROIDE et inspectez la rondelle en caoutchouc. Remplacez la rondelle si elle est déchirée ou usée.



18 Notices d'installation

Raccordement en eau (suite) (modèle vapeur seulement)

Les rondelles en caoutchouc doivent être présentes et en bon état (aucun dommage).

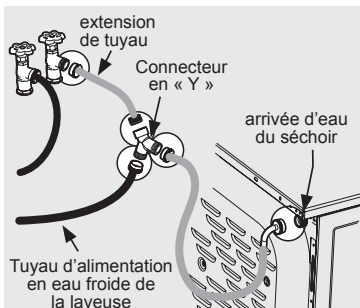
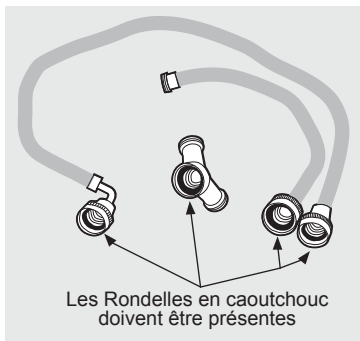
Tuyau d'arrivée d'eau à la laveuse



3. Allumez momentanément l'alimentation en eau FROIDE et laissez couler l'eau dans un seau ou un récipient pour éliminer les contaminants de la conduite.



4. Inspectez les tuyaux pour correctement positionner les rondelles en caoutchouc. Utilisez des tuyaux du KIT DE TUYAUX ASSEMBLY Réf 5304495002 (non inclus).



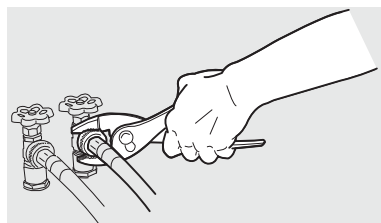
5. Si votre installation permet la mise en place directe du raccord en Y de l'alimentation en eau FROIDE, enflez ce dernier sur l'alimentation en eau FROIDE et serrez-le à la main; puis resserrez-le encore 2/3 de tour avec des pinces.



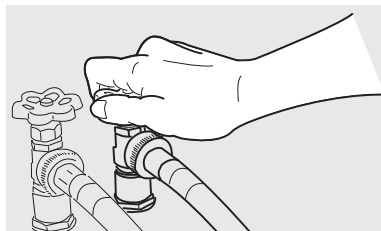
REMARQUE

Si vous avez pu installer le raccord en Y directement sur l'alimentation en eau FROIDE, passez à l'étape 8.

6. S'il n'y a pas de place pour installer le raccord en Y directement, enflez le petit tuyau de rallonge sur l'arrivée d'eau FROIDE et serrez-le à la main; puis resserrez-le encore 2/3 de tour avec des pinces.
7. Enflez le raccord en Y sur le tuyau de rallonge court et serrez-le à la main; puis resserrez-le encore 2/3 de tour avec des pinces.
8. Raccordez le tuyau d'arrivée d'eau FROIDE de la laveuse au raccord en Y et serrez-le à la main; puis resserrez-le encore 2/3 de tour avec des pinces.
9. Raccordez l'extrémité droite du tuyau long du jeu d'accessoires à l'autre extrémité du raccord en Y et serrez à la main. Raccordez le raccord à 90° à l'entrée d'eau en laiton à l'arrière de la sècheuse et serrez-le à la main. Serrez chaque connexion du tuyau d'entrée de la sècheuse d'un autre 2/3 de tour avec des pinces.



10. Ouvrez l'eau et vérifiez toutes les connexions pour déceler les fuites.



Directives générales d'installation

1. Connectez le conduit d'évacuation au système d'évacuation extérieur. L'utilisation d'un collier de serrage de 102 mm (4 po) (article A) est recommandée pour raccorder la sècheuse au système d'évacuation. Utilisez du ruban métallique pour sceller tous les autres joints.
2. Utilisez un niveau de menuisier pour niveler la sècheuse d'avant en arrière et d'un côté à l'autre.
3. Utilisez des pinces ajustables pour régler les pieds de nivellement afin que la sècheuse soit de niveau d'avant en arrière et d'un côté à l'autre et stable d'un coin à l'autre.
4. Appuyez sur les coins et les côtés en alternance pour déceler le moindre mouvement. Ajustez les ou la patte appropriée afin que la sècheuse repose solidement sur le sol et sur les quatre pattes. Pour obtenir les meilleures performances de votre sècheuse, gardez l'extension des pattes de nivellement à son minimum.



IMPORTANT

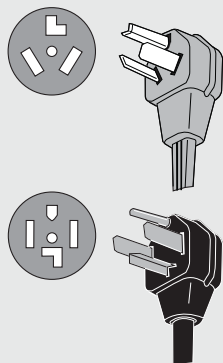
Assurez-vous que le courant est coupé par un disjoncteur ou dans une boîte à fusibles avant de brancher le cordon électrique dans une prise de courant.

5. Branchez le cordon électrique dans une prise de courant dédiée à contact de mise à la terre.



AVERTISSEMENT

Une mise à la terre inadéquate de la sècheuse peut occasionner des lésions corporelles graves, voire la mort. Si vous avez des doutes quant à la mise à la terre de l'électroménager, validez avec un dépanneur ou un électricien qualifié.



6. Mettez le courant au boîtier de disjoncteurs ou à la boîte à fusibles.
7. Lisez le manuel d'entretien et d'utilisation livré avec la sècheuse. Il contient des renseignements précieux et utiles qui vous feront épargner temps et argent.
8. Si vous avez des questions lors de la première utilisation, veuillez consulter la « Liste de contrôle pour éviter les appels de service » du manuel d'entretien et d'utilisation avant d'appeler le service après-vente.
9. Placez ces instructions dans un endroit près de la sècheuse pour consultation future.



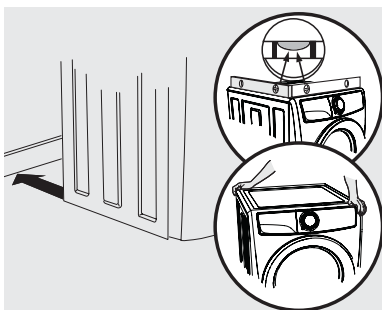
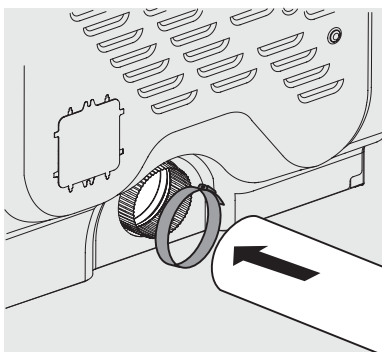
REMARQUE

Un schéma de câblage et une fiche technique se trouvent sous le panneau supérieur de la sècheuse.



ATTENTION

Lorsque vous jetez ou rangez votre ancienne sècheuse, retirez la porte.



20 Pour inverser la porte



REMARQUE

Il est possible d'inverser la porte de tous les modèles de sècheuse.

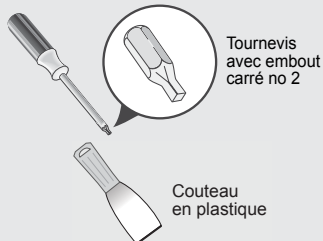


IMPORTANT

AVANT D'INVERSER LA PORTE DE VOTRE SÈCHEUSE :

1. Assurez-vous d'avoir un espace d'ouverture adéquat avant d'inverser la porte.
2. Rassemblez vos outils : un tournevis à entraînement carré n° 2 et un couteau en plastique (ou un petit outil plat qui n'abîmera pas à la peinture).
3. Assurez-vous que la sècheuse est débranchée de la source d'alimentation!

Outils requis pour l'inversion :



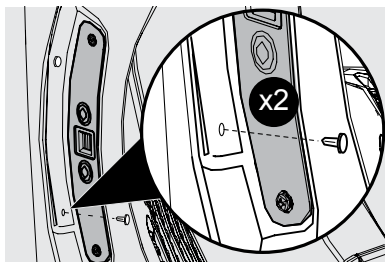
AVERTISSEMENT

RISQUE DE DÉCHARGE ÉLECTRIQUE

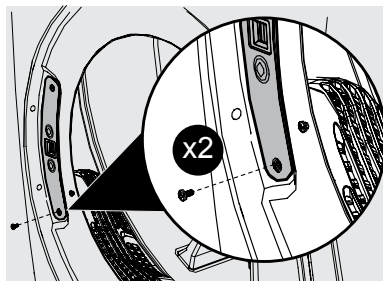
Omettre de couper le courant avant une réparation peut entraîner des lésions corporelles, voire la mort.

Retrait des bouchons du loquet et du trou

1. Ouvrez la porte
2. Retirez les bouchons en plastique et mettez-les de côté pour les réinstaller plus tard. Si vous êtes incapable de déloger les bouchons manuellement, utilisez un couteau non abrasif en plastique.

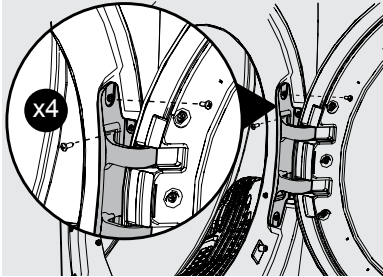


3. Retirez les deux vis du loquet de la porte. Mettez le loquet et les vis de côté pour les réinstaller plus tard.



Dépose de l'assemblage de porte

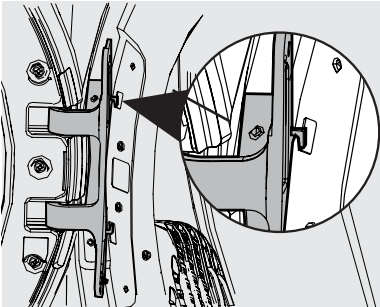
1. Ouvrez complètement la porte pour exposer les quatre vis de charnière.
2. Retirez les quatre vis de la charnière à l'aide d'un manchon d'entraînement carré n° 2. Mettez-les de côté pour réinstaller plus tard.



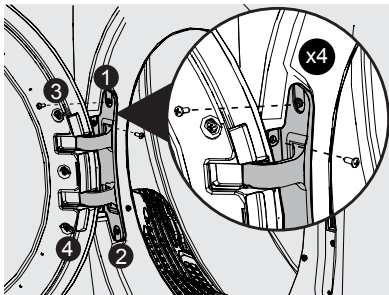
3. Saisissez la porte des deux mains et soulevez-la légèrement en éloignant la porte et la charnière du panneau avant.

Repose de l'assemblage de porte

1. Tournez la porte et accrochez le crochet supérieur à l'arrière de la charnière dans le trou supérieur du panneau avant.

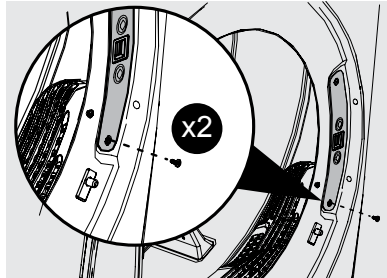


2. Réinstallez et serrez les quatre vis retirées plus tôt : les deux vis avant d'abord, puis les deux vis latérales.

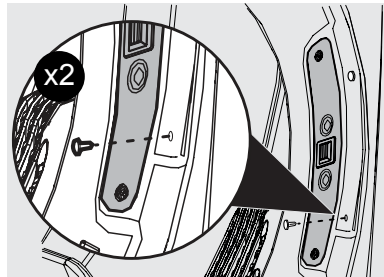


Repose des bouchons du loquet et du trou

1. Installez le loquet de porte avec les vis retirées plus tôt.



2. Insérez les bouchons en plastique enlevés plus tôt.



Vérifier le fonctionnement de la porte inversée

1. Vérifiez le balancement libre et régulier de la porte à la fermeture et son enclenchement sécuritaire.
2. Branchez la sècheuse et fermez la porte. Lancez un cycle d'essai : le tambour doit culbuter jusqu'à l'ouverture de la porte ou l'interruption ou l'annulation du cycle.

Accessoires

CAISSON DE RANGEMENT ASSORTI*

caisson blanc - réf. EPWD257UIW
caisson titane - réf. EPWD257UTT

Un caisson de rangement en accessoire spécialement conçu pour cette sècheuse; il peut être utilisé pour élever la sècheuse et en faciliter l'utilisation. Ce caisson ajoute environ 38 cm (15 po) à la hauteur de votre électroménager.

*D'autres couleurs sont disponibles. Contactez le détaillant où vous avez acheté votre sècheuse.

MONTAGE INTERCALAIRE POUR SÈCHEUSE PIÈCE : STACKIT7X

Selon le modèle que vous avez acheté, un nécessaire de montage intercalaire pour une sècheuse assortie à votre laveuse peut avoir été inclus lors de l'achat initial de votre sècheuse. Si votre modèle n'inclut pas de nécessaire de montage intercalaire ou si vous en désirez un autre, vous pouvez le commander.

NÉCESSAIRE DE CONVERSION AU GPL PIÈCE : PCK4200

Les sècheuses à gaz fabriquées pour être utilisées dans un endroit desservi en LP doivent être munies d'un nécessaire de conversion avant l'installation.

NÉCESSAIRE D'INSTALLATION POUR MAISON MOBILE PIÈCE : 137067200

Les installations dans les maisons mobiles doivent être munies d'un NÉCESSAIRE D'INSTALLATION POUR MAISON MOBILE.

GRILLE DE SÉCHAGE

PIÈCE : A04840701

Selon le modèle que vous avez acheté, une grille de séchage peut avoir été incluse lors de l'achat initial de votre sècheuse. Si votre modèle n'inclut pas de grille de séchage ou si vous en désirez une autre, vous pouvez la commander.

CLÉ UNIVERSELLE POUR ÉLECTROMÉNAGERS

PIÈCE : 137019200

UNE CLÉ UNIVERSELLE POUR ÉLECTROMÉNAGERS est disponible pour faciliter le réglage des pattes de sècheuse, de laveuse et du caisson.

CRAYONS À PEINTURE DE RETOUCHE

Blanc : 5304468812

Titane : 5304475700

*D'autres couleurs sont disponibles. Contactez le détaillant où vous avez acheté votre sècheuse.

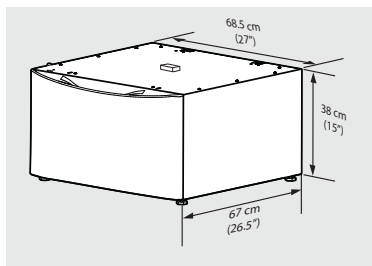
KIT DE TUYAUX ASSEMBLY

PIÈCE : 5304495002

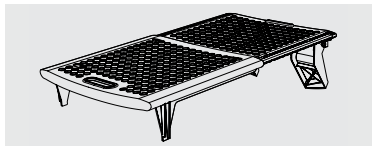


AVERTISSEMENT

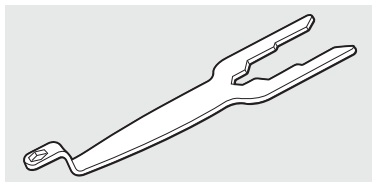
NE PAS utiliser les accessoires fabriqués par (ou approuvé par) le fabricant peut occasionner des dommages matériels, des dommages à la sècheuse ou provoquer des lésions corporelles.



Caisson de rangement



Grille de séchage



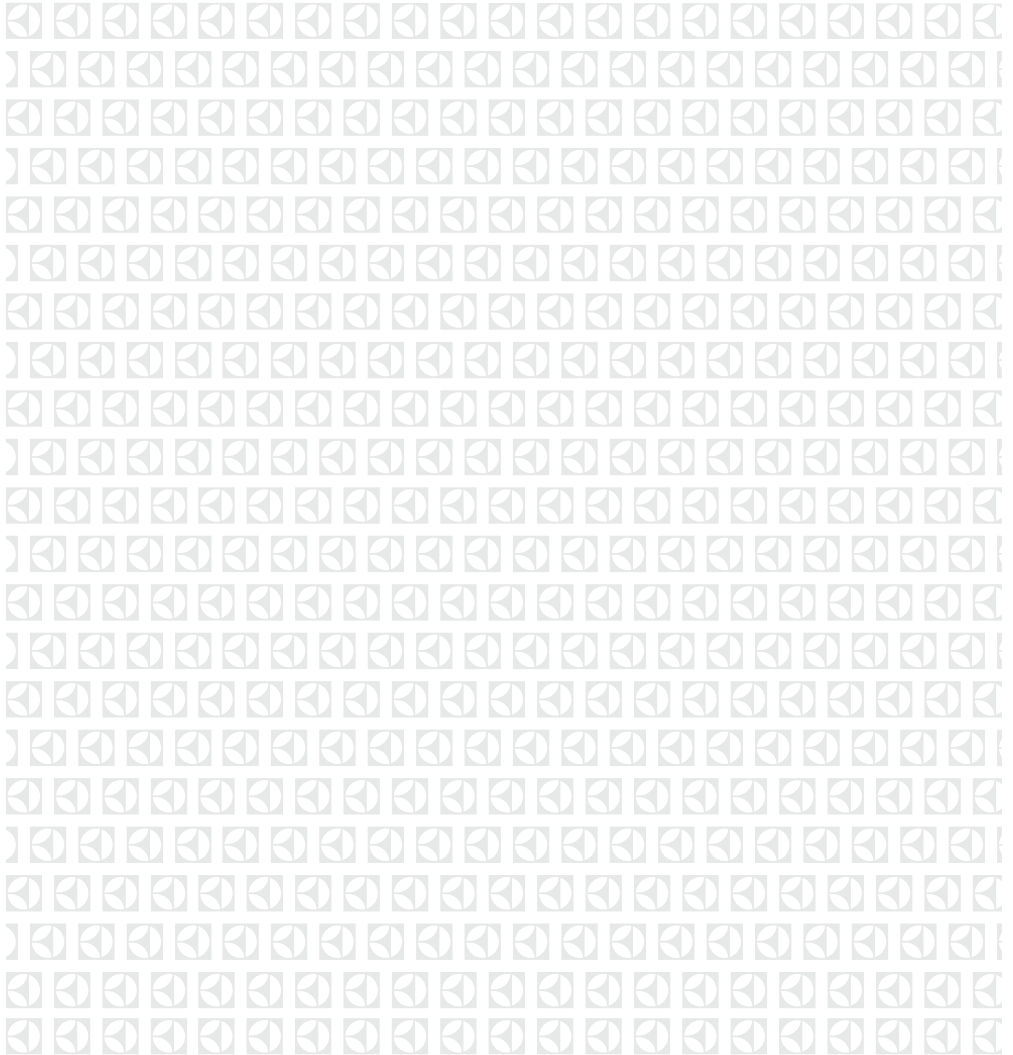
Clé universelle pour électroménagers

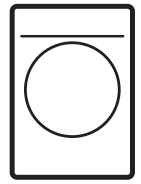
Pièces de rechange aux États-Unis et au Canada

Si vous avez besoin de pièces de rechange pour votre sècheuse, contactez le détaillant où vous avez acheté votre sècheuse, faites le 1 877 4ELECTROLUX (1 877 435-3287) aux États-Unis ou le 1 800 265-8352 au Canada, ou visitez notre site Internet <http://www.electroluxappliances.ca/fr-CA> pour trouver le distributeur de pièces agréé Electrolux le plus près de chez vous.

Remarques

electrolux.com/shop





EN FRONT LOAD DRYER

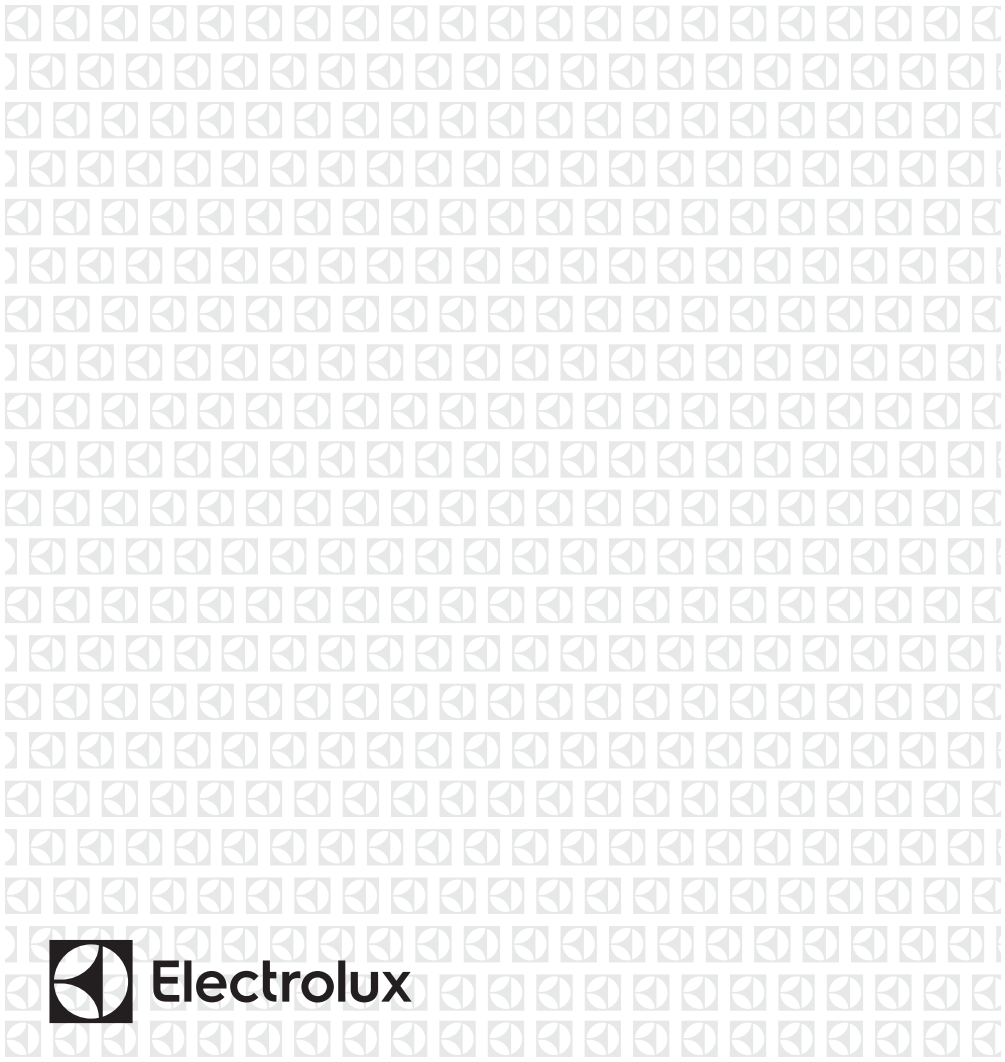
FR SÉCHEUSE À CHARGEMENT FRONTAL

ES SECADORA DE CARGA FRONTAL

INSTALLATION INSTRUCTIONS

INSTRUCTIONS D'INSTALLATION

INSTRUCCIONES DE INSTALACIÓN



2 Instrucciones de seguridad importantes




ADVERTENCIA

Por su seguridad siga la información contenida en este manual para minimizar el riesgo de incendio o explosión y evitar daños en las propiedades, lesiones personales o incluso pérdida de vidas. **NO** guarde ni use gasolina ni otros vapores o líquidos inflamables cerca de éste o de cualquier otro aparato.

Precauciones de seguridad

No intente instalar u operar su unidad hasta que haya leído las precauciones de seguridad en este manual. Los elementos de seguridad en este manual están etiquetados con Peligro, Advertencia o Atención, según el tipo de riesgo.

Definiciones

 Este es el símbolo de las alertas de seguridad. Se usa para advertirle sobre posibles riesgos de lesiones personales. Obedezca todos los mensajes de seguridad que aparezcan después de este símbolo para evitar posibles lesiones o incluso la muerte.



PELIGRO

Una indicación de PELIGRO representa una situación inminentemente peligrosa que, si no se evita, tendrá como resultado la muerte o una lesión grave.



ADVERTENCIA

ADVERTENCIA indica una situación potencialmente peligrosa que, de no evitarse, puede llegar a producir la muerte o lesiones graves.



PRECAUCIÓN

Una indicación de PRECAUCIÓN representa una situación potencialmente peligrosa que, si no se evita, puede tener como resultado una lesión leve o moderada.



IMPORTANTE

Indica información de instalación, operación o mantenimiento que es importante pero no se relaciona con ningún peligro.

Índice

Instrucciones de seguridad importantes...2
Requisitos previos a la instalación..... 4
Instrucciones de instalación..... 12
Puerta reversible..... 19
Opciones.....21



ADVERTENCIA

RIESGO DE INCENDIO

Lea todas las instrucciones antes de instalar y utilizar este aparato.

- Destruya la caja de cartón y las bolsas de plástico una vez desembalado el centro de lavado. Los niños podrían utilizarlas para jugar. Cartons covered with rugs, bedspreads, or plastic sheets can become airtight chambers causing suffocation. Coloque todos los materiales en un contenedor de basuras o fuera del alcance de los niños.
- La instalación y revisión del centro de lavado debe ser realizada por un instalador cualificado, un servicio de reparación o la empresa proveedora de gas.
- Instale el aparato de conformidad con las instrucciones del fabricante y los códigos locales.
- El servicio eléctrico de la lavadora deberá cumplir los códigos y las normas locales, así como la última edición del Código Eléctrico Nacional, ANSI/NFPA 70, o en Canadá, el Código Eléctrico de Canadá CSA C22.1 parte 1.
- El servicio eléctrico de la lavadora deberá cumplir los códigos y las normas locales, así como la última edición del Código Eléctrico Nacional, ANSI Z223.1/NFPA 54, o en Canadá, el Código de Instalación de Gas Natural y Propano, CSA B149.1. deberá instalarse una válvula de cierre manual individual dentro de 6 pies (1,83 m) de la secadora, en conformidad con el Código Nacional de Gas Combustible, ANSI Z223.1/NFPA 54.
- El centro de lavado está diseñado de conformidad con las normas ANSI Z21.5.1/ CSA 7.1 o UL 2158 - CAN/CSA C22.2 No. 112 (últimas ediciones) solo para USO DOMÉSTICO. Este centro de lavado no está recomendado para aplicaciones comerciales como restaurantes, salones de belleza, etc.
- **NO instale la secadora de ropa con material de ventilación de lámina de aluminio flexible o de plástico flexible. Es sabido que los materiales de ventilación flexibles se desmoronan, se aplastan fácilmente y atrapan pelusa. Estas condiciones obstruyen el flujo de aire en la secadora de ropa y aumentan el riesgo de incendio.**
- **NO** apile la secadora encima de la lavadora ya instalada. **NO** apile la lavadora encima de una secadora. **NO** apile la lavadora encima de otra.

Las instrucciones de este manual y cualquier otra publicación incluida con este aparato no están previstas para cubrir todas las posibles condiciones y situaciones que puedan darse. A la hora de instalar, operar y mantener cualquier electrodoméstico deben tomarse precauciones y buenas prácticas.

**GUARDE ESTAS INSTRUCCIONES
PARA CONSULTAS FUTURAS.**

4 Requisitos previos a la instalación

Lea y guarde esta guía

Gracias por elegir Electrolux, la nueva marca premium de electrodomésticos. Estas instrucciones de instalación son parte de nuestro compromiso con la satisfacción del cliente y la calidad del producto a lo largo de la vida de su nuevo electrodoméstico.

¿Preguntas?

Para llamadas gratuitas en EE.UU. y en Canadá:
EE.UU.
1-877-4ELECTROLUX (1-877-435-3287)
www.electroluxappliances.com
Canadá
1-800-265-8352
www.electroluxappliances.ca

Lista de comprobación para la instalación

Salida de ventilación

- Acumulación sin pelusas, que fluye
- 4 pulgadas (102 mm) de conducto de transición metálico rígido o semirrígido de longitud y vueltas mínimas
- NO contiene material de ventilación plástico o de láminas metálicas
- Campana de extracción autorizada con salida al exterior

Nivelación

- El centro de lavado está nivelado, de lado a lado y de frontal a trasera
- El mueble se apoya bien en todas las esquinas

Suministro de gas (Secadora de gas)

- Válvula de cierre manual incluida
- Todas las conexiones selladas con sellador aprobado y apretadas con llave
- Kit de conversión para sistema de LP
- Suministro de gas abierto
- No hay fugas en ninguna conexión (comprobar con agua jabonosa, NUNCA con llama)

Conexión de agua (determinados modelos)

- Inspeccione las mangueras para asegurarse de que las juntas de goma estén correctamente colocadas

- El suministro de agua está abierto
- Compruebe que no haya fugas
- Las secadoras de vapor requieren el uso DEL JUEGO DE MONTAJE de mangueras #5304495002 (no incluido), que debe comprarse por separado
- Fuente de alimentación de 240 v (Secadora eléctrica)**
- Cable de servicio homologado NEMA 10-30 o 14-30 con todos los tornillos apretados en la regleta de bornas
- Aprietacable homologado instalado
- Cubierta de acceso al terminal instalada antes de la operación inicial

Reverso de la puerta

- Siga las instrucciones de esta guía
- Compruebe el funcionamiento de la bisagra y el cerrojo

Alimentación eléctrica

- Corriente eléctrica de la vivienda encendida
- Secadora enchufada

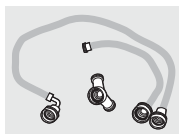
Comprobaciones finales

- Instrucciones de instalación y Guía de uso y mantenimiento: leer atentamente
- La puerta de la secadora queda bien cerrada y el tambor gira al comenzar el ciclo
- Tarjeta de registro enviada

Herramientas y materiales necesarios para la instalación:



EJUEGO DE MONTAJE DE MANGUERAS - P/N 5304495002, solo para modelos de vapor, no está incluido y debe comprarse por separado.



ADVERTENCIA

PELIGRO DE INCENDIO

- **NO** respetar estrictamente las advertencias de seguridad puede provocar lesiones graves, muerte o daños en las propiedades.
- **NO** instale un ventilador de refuerzo en el conducto de extracción de la secadora.
- Instale la secadora de ropa de conformidad con las instrucciones de instalación de este manual.

Requisitos del sistema de desagüe



NOTA

Debido a la posible falta de voltaje constante, no se recomienda el uso de esta secadora con alimentación mediante generadores de gas, solares, eólicos u otro tipo de generador distinto del suministrado por su empresa de electricidad local.

Requisitos eléctricos para secadora eléctrica

CIRCUITO - Circuito de derivación individual de 30 amperios con fusibles o disyuntor de 30 amperios con retardo. Usar de forma separada los fusibles para la lavadora y la secadora. **NO** operar la lavadora y la secadora en el mismo circuito.

FUENTE DE ALIMENTACIÓN - 3 o 4 hilos, 120/240 voltios, monofase, 60 Hz, corriente alterna.



NOTA

Se deberá usar una corriente alterna de 120/208 voltios, fase única, 60 Hz en las secadoras marcadas para su uso en la placa de características.



IMPORTANTE

Este centro de lavado tiene conexión interna neutra a tierra salvo unidades para venta en Canadá.

Solo se utilizará cable de 4 conductores cuando el aparato se instale en un lugar en el que esté prohibido realizar la conexión a tierra a través del conductor neutro. (1) nuevas instalaciones con circuito de derivación, (2) viviendas móviles, (3) vehículos de recreo y (4) áreas en las que los códigos locales **NO** permitan la conexión a tierra a través del conductor neutro.

6 Requisitos previos a la instalación

KIT DE CABLE DE ALIMENTACIÓN DE 3 HILOS (no suministrado)



Toma de 3 hilos
(NEMA tipo 10-30R)

La secadora DEBERÁ utilizar un cable de alimentación de 3 conductores NEMA 10-30 tipo SRDT para corriente alterna de 240 voltios y 30 amperios nominales como mínimo, con 3 conectores de pala con extremo abierto con extremos girados hacia arriba o conectores de bucle cerrado y marcados para uso con secadoras de ropa. Para instrucciones de conexión con cable de 3 hilos, consulte CONEXIONES ELÉCTRICAS PARA UN SISTEMA DE 3 HILOS.

TOMA DE CORRIENTE - NEMA 10-30R situado de modo que el cable de alimentación quede accesible cuando la secadora quede instalada en su posición.

CONEXIÓN A TIERRA - Ver "Requisitos de conexión a tierra" en la sección Instalación eléctrica.

KIT DE CABLE DE ALIMENTACIÓN DE 4 HILOS (no suministrado)



Toma de 4 hilos
(NEMA tipo 14-30R)

La secadora DEBERÁ utilizar un cable de alimentación de 4 conductores NEMA 14-30 tipo SRDT o DRT (según se precise) para corriente alterna de 240 voltios y 30 amperios nominales como mínimo, con 4 conectores de pala con extremo abierto con extremos girados hacia arriba o conectores de bucle cerrado y marcados para uso con secadoras de ropa. Para instrucciones de conexión con cable de 4 hilos, consulte CONEXIONES ELÉCTRICAS PARA UN SISTEMA DE 4 HILOS.



NOTA

Los centros de lavado fabricados para venta en Canadá tienen instalado de fábrica un cable de alimentación de 4 hilos (NEMA 14-30R).

TOMA DE CORRIENTE - NEMA 14-30R situado de modo que el cable de alimentación quede accesible cuando la secadora quede instalada en su posición.

CONEXIÓN A TIERRA - Ver "Requisitos de conexión a tierra" en la sección Instalación eléctrica.

Requisitos eléctricos para la secadora de gas:

CIRCUITO - Circuito de derivación individual de 15 amperios adecuadamente polarizado y conectado a tierra con fusible o disyuntor de 15 amperios con retardo.

FUENTE DE ALIMENTACIÓN - 2 hilos, con conexión a tierra 120 voltios, monofase, 60 Hz, corriente alterna.

CABLE DE ALIMENTACIÓN - La secadora está equipada con un cable de alimentación de 3 hilos y 120 voltios.

CONEXIÓN A TIERRA - Ver "Requisitos de conexión a tierra" en la sección Instalación eléctrica.



ADVERTENCIA

Una inadecuada conexión a tierra en la secadora puede provocar lesiones graves o la muerte. Consulte a un electricista cualificado en caso de duda sobre si el aparato está adecuadamente conectado a tierra.

Tomacorriente de pared con conexión a tierra



Bajo ninguna circunstancia corte, extraiga o desvie las patas de conexión a tierra.



Cable de alimentación con enchufe de tres patas con conexión a tierra

Requisitos del suministro de gas



ADVERTENCIA

PELIGRO DE EXPLOSIÓN

Las tuberías de cobre sin revestimiento se corroen cuando se someten a gas natural, lo que provoca fugas de gas. Utilice SOLO tubería de hierro negro, acero inoxidable o latón con recubrimiento de plástico para suministro de gas.

1. La instalación DEBERÁ cumplir las normas locales o, de no haberlas, con el Código Nacional de Gas Combustible, ANSI Z223.1 (última edición).

Requisitos del suministro de gas

2. La entrada de gas deberá ser una tubería de 1,27 cm (1/2 pulgada).
3. Si los códigos lo permiten, se pueden utilizar tuberías metálicas flexibles para conectar su secadora a la línea de suministro de gas. La tubería TIENE QUE estar hecha de acero inoxidable o latón con revestimiento de plástico.
4. La línea de suministro de gas TIENE QUE tener instalada una válvula de apagado individual según el Código de Instalación de Gas Natural y Propano B149.1.
5. Se TIENE QUE instalar inmediatamente después de la conexión de suministro de gas a la secadora un tapón de 0,32 cm (1/8 pulgada) N.P.T., accessible para la conexión de un indicador de prueba inmediatamente después de la conexión de suministro de gas a la secadora.
6. La secadora se TIENE QUE desconectar del sistema de tubos de suministro de gas durante toda prueba de presión del sistema de tubos de suministro de gas con presiones de prueba que superen los 1/2 psig (3,45 kPa).
7. La secadora DEBERÁ aislarse del sistema de tubería de suministro de gas durante las comprobaciones de presión del sistema de tubería de suministro de gas a presiones de prueba iguales o inferiores a 1/2 psig (3,45 kPa).
8. Las conexiones para el suministro de gas deberán cumplir la Norma para Conectores de Aparatos de Gas, ANSI Z21.24/ CSA 6.10.

Requisitos del sistema de extracción

Utilice únicamente conducto metálico rígido o semirrígido de 4 pulgadas (102 mm) de diámetro y campana de ventilación aprobada con registro(s) giratorio(s) que se abren cuando la secadora está en funcionamiento. Al detenerse la secadora, los registros se cierran automáticamente para evitar corrientes y la entrada de insectos y roedores. Para evitar limitar el flujo de salida, mantenga un espacio mínimo de 12 pulgadas (30,5 cm) entre la campana de ventilación y el suelo o cualquier otra obstrucción



ADVERTENCIA

PELIGRO DE INCENDIO

No seguir estas instrucciones puede aumentar los tiempos de secado y producir riesgo de incendio.

A continuación se detallan los requisitos específicos para el funcionamiento correcto y seguro de su secadora.

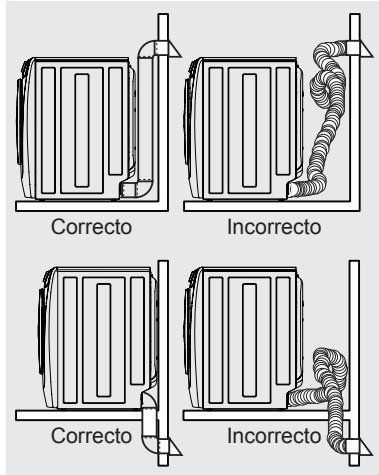


ADVERTENCIA

PELIGRO DE INCENDIO

NO instale una secadora de ropa con materiales de ventilación de plástico o de lámina flexible. Es sabido que los materiales de ventilación flexibles se desmoronan, se aplastan fácilmente y atrapan pelusa. Estas condiciones obstruyen el flujo de aire en la secadora de ropa y aumentan el riesgo de incendio.

Si su sistema actual está realizado con conducto de plástico o de lámina, sustitúyalo por conducto metálico rígido o semirrígido. Compruebe también que el conducto actual esté libre de pelusas antes de instalar el conducto de la secadora.



ADVERTENCIA

PELIGRO DE INCENDIO

- No respetar estrictamente las advertencias de seguridad puede provocar lesiones graves, muerte o daños en las propiedades.
- **NO** instale un ventilador de refuerzo en el conducto de extracción de la secadora.
- Instale la secadora de ropa de conformidad con las instrucciones de instalación de este manual.

8 Requisitos previos a la instalación

Requisitos del sistema de extracción



ADVERTENCIA

PELIGRO DE INCENDIO

La secadora de ropa debe tener extracción al exterior. **NO** dirija el escape de la secadora hacia una chimenea, una pared, un techo, un ático, un entresuelo ni a ningún espacio oculto del edificio. Las secadoras de ropa generan pelusas combustibles. Si la secadora no tiene escape al exterior, parte de las pequeñas pelusas se expulsarán hacia el área de lavado. La acumulación de pelusa en cualquier área del hogar puede constituir un riesgo para la salud y de incendio.

La secadora deberá estar conectada a una extracción exterior. Inspeccione la abertura de la extracción exterior y retire cualquier posible acumulación de pelusa alrededor de la abertura y en el área cercana.



ADVERTENCIA

PELIGRO DE INCENDIO

- **NO** permita que materiales combustibles (por ejemplo: prendas, visillos/cortinas, papel) entren en contacto con el sistema de extracción. La extracción de la secadora **NO DEBERÁ** ser a una chimenea, pared, techo u otro espacio oculto de un edificio, ya que puede acumularse pelusa con el consiguiente riesgo de incendio.
- **NO** proteja los extremos de extracción del sistema de ventilación ni utilice tornillos, remaches u otros cierres que lleguen al interior del conducto para montar el sistema de extracción.



Ninguna protección o rejilla, independientemente del tamaño de malla, debe cubrir la abertura de salida de aire. Es posible que quede pelusa atrapada en la protección, la rejilla, los tornillos o remaches, atascando el conducto y creando peligro de incendio, además de prolongar los tiempos de secado.

Utilice una campana de ventilación autorizada como terminación exterior del conducto y selle todas las juntas con cinta metálica. Todos los equipos con tubería macho **DEBERÁN** instalarse hacia la descarga del flujo de aire.



ADVERTENCIA

Superar la longitud de la tubería o el número de codos permitido en las tablas "LONGITUD MÁXIMA" puede provocar acumulación de pelusa en el sistema de extracción. Taponar el sistema puede crear riesgo de incendio y aumentar los tiempos de secado.

Número de vueltas de 90°	LONGITUD MÁXIMA de 102 mm (4") Conducto de metal rígido	
	TIPO DE CAMPANA EXTRACTORA	
	(Preferido)	
		
	10,2 cm (4")	6,35 cm (2,5")
0	38 m (125 pies)	33,5 m (110 pies)
1	35 m (115 pies)	30,5 m (100 pies)
2	32 m (105 pies)	27,5 m (90 pies)
3	29 m (95 pies)	24,5 m (80 pies)
4	26 m (85 pies)	21,5 m (70 pies)



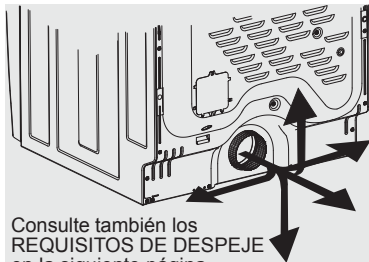
ADVERTENCIA

PELIGRO DE INCENDIO

- **NO** instale material de ventilación de lámina de aluminio flexible o de plástico flexible.
- **NO exceda los 2,4 m (8 pies) en la longitud del conducto al instalar un conducto de ventilación semi-rígido.**

Dirección de la extracción

La extracción direccional puede llevarse a cabo instalando un codo para ventilación de secadora 90° directamente para extraer la toma de corriente de la secadora. Puede encontrar codos para ventilación de secadora mediante su distribuidor local de piezas o en la ferretería.



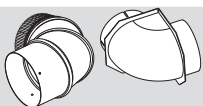
Consulte también los **REQUISITOS DE DESPEJE** en la siguiente página.

Requisitos del sistema de extracción



NOTA

Use un codo para ventilación de 90° requerido para cumplir los requisitos mínimos de instalación.



ADVERTENCIA

PELIGRO DE INCENDIO

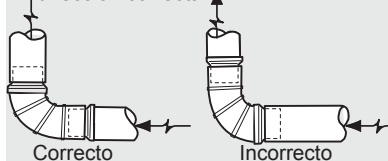
NO instale el centro de lavado en un lugar donde se almacene o guarde gasolina u otros productos inflamables. Si el centro de lavado se instala en un garaje, la parte de secadora deberá estar a un mínimo de 45,7 cm (18 pulgadas) sobre el suelo. Lo contrario puede provocar la muerte, explosión, incendio o quemaduras.

En instalaciones en las que los gráficos no describan el sistema de extracción, deberá utilizarse el siguiente método para determinar si el sistema de extracción es aceptable:

1. Conecte un manómetro inclinado o digital entre la secadora y el punto en el que la extracción se conecta a la secadora.
2. Ponga el temporizador de la secadora y la temperatura a orear pelusa (enfriado) y arranque la secadora.
3. Lea la medición en el manómetro.
4. La contrapresión del sistema **NO DEBERÁ** ser superior a 1 pulgada de la columna de agua. Si la contrapresión del sistema es inferior a 1 pulgada de la columna de agua, el sistema es aceptable. Si la lectura del

manómetro es superior a 1 pulgada de la columna de agua, el sistema es demasiado restrictivo y la instalación es inaceptable.

Instale los accesorios macho en la dirección correcta:



Aunque es aceptable una orientación vertical del sistema de extracción, determinadas circunstancias podrían llegar a afectar el rendimiento de la secadora.

- Debería utilizarse solamente conducto metálico rígido.
- Ventilar verticalmente a través de un tejado puede exponer el sistema de extracción a corrientes hacia abajo, lo que aumentaría la restricción de la ventilación.
- Hacer funcionar el sistema de escape en un área aislada puede provocar condensación y acumulación más rápida de pelusas.
- Si se comprime o arruga el sistema de escape se provocará un aumento de la restricción de la ventilación.
- **El sistema de extracción deberá inspeccionarse y limpiarse al menos cada 18 meses de uso normal.** Cuanto más se utilice la secadora, mayor deberá ser la frecuencia de inspección del funcionamiento del sistema de extracción y de la campana de ventilación.

Instalación en viviendas prefabricadas o móviles

1. La instalación **DEBERÁ** cumplir con el actual Manufactured Home Construction & Safety Standard, Title 24 CFR, Part 32-80 (anteriormente el Federal Standard for Mobile Home Construction and Safety, Title 24, HUD Part 280), o Standard CAN/CSA240 MH.
2. La secadora **DEBERÁ** tener extracción al exterior (fuera, no debajo de la vivienda móvil) utilizando conductos de metal resistentes a la combustión. Metal ducting must be 10,16 cm (4 inches) in diameter with no obstructions. Es preferible un conducto de metal rígido.
3. Si la secadora realiza la extracción a través del suelo y el área bajo la vivienda móvil es cerrada, el sistema de extracción **DEBERÁ** terminar fuera del área cerrada con la terminación firmemente fijada a la estructura de la vivienda móvil.
4. Consulte las secciones anteriores de esta guía para conocer otros requisitos importantes del sistema de ventilación de extracción.
5. Al instalar una secadora de gas en una casa móvil se tiene que prever el aire de compensación. Esta provisión no deberá ser inferior al doble del área de la salida de extracción de la secadora.
6. El instalador **DEBERÁ** anclar el centro de lavado al suelo con el Kit de instalación para viviendas móviles N/P 137067200.

10 Requisitos previos a la instalación

Requisitos de holgura

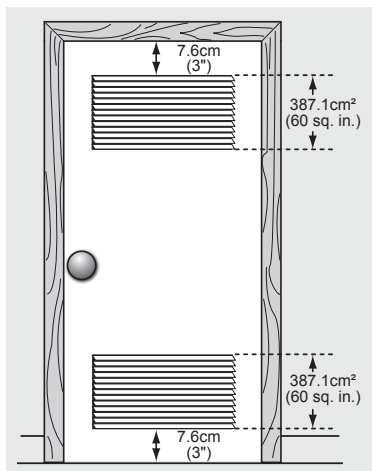
➔ IMPORTANTE

NO INSTALE SU CENTRO DE LAVADO:

1. En un área expuesta a goteo de agua o a las condiciones atmosféricas del exterior.
2. En un área en la que entre en contacto con cortinas, visillos o cualquier cosa que obstruya el flujo del aire de combustión y ventilación.
3. En alfombras. El suelo DEBERÁ ser sólido con una pendiente máxima de 2,5 cm (1 pulgada).

Instalación en nicho o armario

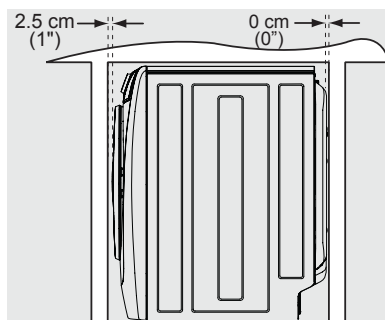
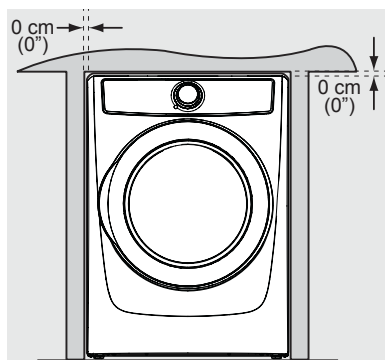
1. Una secadora instalada en un dormitorio, baño, nicho o armario DEBERÁ tener salida al exterior.
2. No se instalará ningún otro aparato de combustión en el mismo mueble que la secadora de gas.
3. Su secadora necesita espacio alrededor para tener una ventilación adecuada. **NO** instale su secadora en un armario con puerta maciza.
4. Ventilación de puerta del armario requerida: mínimo de 774,2 cm² (120 pulgadas cuadradas) de abertura, igualmente divididas en la parte superior e inferior de la puerta, requerido. Las aberturas estarán situadas a 7,6 cm (3 pulgadas) de la parte inferior y superior de la puerta. Es obligatorio tener aberturas sin obstrucciones cuando se instale una puerta. Es aceptable una puerta de listones con aberturas de aire equivalentes para toda la longitud de la puerta.



puerta de armario

INSTALACIÓN - Pulgadas (cm)				
	Late- rales	Parte poste- rior	Super- ior	Parte delantera
Hueco	0 cm (0")	0 cm (0")	0 cm (0")	n/d
Debajo Contador.	0 cm (0")	0 cm (0")	0 cm (0")	n/d
Armario	0 cm (0")	0 cm (0")	0 cm (0")	2,5 cm (1")

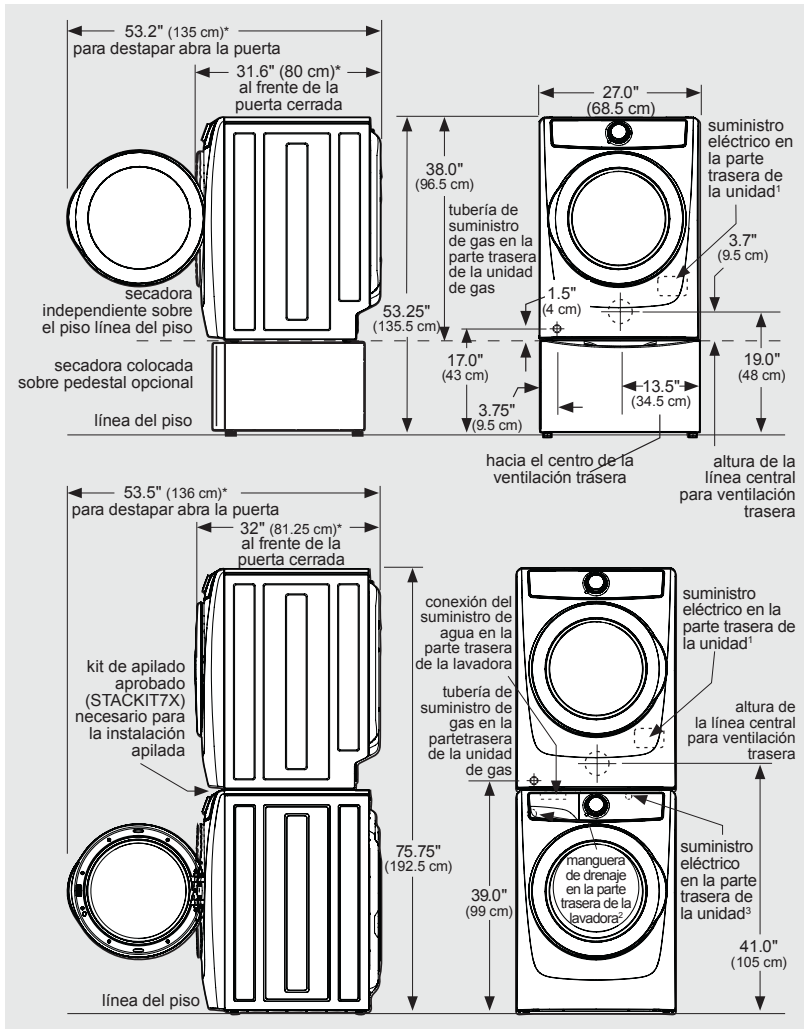
•Para más allá de la ventilación trasera directa, deberá instalarse un codo para ventilación de secadora de 90° para conseguir una instalación de 0 cm (0").



🗨️ NOTA

Para conseguir una instalación con separación 0 cm (0") de la parte trasera de la secadora, deberá instalarse un codo para ventilación de secadoras 90° como se describe anteriormente en este manual.

Dimensiones detalladas



* Conexión de la manguera de entrada de agua en secadora a vapor añade 3/4 pulg. (2 cm) a la profundidad de instalación

¹ Longitud del cable de alimentación de la unidad de gas o secadora canadiense eléctrica de aproximadamente 152,5 cm (60 pulgadas).

² Longitud de la manguera de drenaje en lavadora aproximadamente 150 cm (59 pulgadas).

³ Longitud del cable de alimentación de la unidad de gas de aproximadamente 152,5 cm (60 pulgadas).

12 Instrucciones de instalación

Instalación rápida

A continuación se detallan los requisitos específicos para la instalación eléctrica correcta y segura de su secadora. No seguir estas instrucciones puede crear riesgos de descarga eléctrica y/o incendio.



ADVERTENCIA

PELIGRO DE DESCARGA ELÉCTRICA

- Este aparato **DEBERÁ** estar adecuadamente conectado a tierra. Puede provocarse una descarga eléctrica si la secadora no está derivada correctamente a tierra. Siga las instrucciones de este manual para una derivación correcta a tierra.
- **NO** utilice cable alargador con esta secadora. Ciertos cables alargadores no están diseñados para resistir las cantidades de corriente eléctrica que utiliza esta secadora y se pueden derretir, provocando una descarga eléctrica y/o peligro de incendio. Sitúe la secadora dentro del alcance del enchufe para el cable de alimentación de la longitud a comprar, dejando algo de juego en el cable. Consulte los requisitos previos a la instalación en este manual para conocer el cable adecuado que adquirir.



ADVERTENCIA

PELIGRO DE DESCARGA ELÉCTRICA

- Deberá instalarse un aprietaconductor con homologación U.L. en el cable de alimentación. De no instalarse el aprietaconductor, el cable puede desenchufarse de la secadora y cortarse por el movimiento del cable, lo que produciría una descarga eléctrica.
- **NO** utilice una toma con hilos de aluminio con cable de alimentación y enchufe con hilos de cobre (ni viceversa). La reacción química entre el cobre y el aluminio puede provocar cortocircuitos. La combinación adecuada es un cable de alimentación con hilos de cobre y una toma con hilos de cobre.



NOTA

Las secadoras con fuente de alimentación de 208 voltios tienen tiempos de secado más largos que las que tienen fuente de alimentación de 240 voltios.

Requisitos de conexión a tierra - Secadora eléctrica (EE.UU.)



ADVERTENCIA

Una inadecuada conexión a tierra en la secadora puede provocar lesiones graves o la muerte. Consulte a un electricista cualificado en caso de duda sobre si el aparato está adecuadamente conectado a tierra.

Para una secadora con conexión a tierra y conectada con cable:

1. La secadora **DEBERÁ** estar conectada a tierra. En caso de fallo o avería, la conexión a tierra reducirá el riesgo de descarga eléctrica mediante una vía de menor resistencia para la corriente eléctrica.
2. Después de comprar e instalar un cable eléctrico de tres o cuatro hilos, con conductor de conexión a tierra del equipo y enchufe con conexión a tierra adecuado para su sistema de cableado, el enchufe **DEBERÁ** enchufarse a una toma de corriente adecuada con hilos de cobre, debidamente instalada y conectada a tierra de acuerdo con todos los códigos y ordenanzas locales. En caso de duda, póngase en contacto con un electricista cualificado.
3. **NO** modifique el enchufe que ha instalado en este aparato. Si no se adapta a la toma de corriente, haga que un electricista cualificado instale una toma adecuada.

Para una secadora con conexión permanente:

La secadora **TIENE QUE** conectarse a un sistema de cableado metálico derivado a tierra y permanente o tiene que tenderse con los conductores del circuito y conectarse al terminal o al contacto de derivación de tierra del equipo del aparato un conductor de derivación a tierra de equipos.

Requisitos de conexión a tierra - Secadora eléctrica (Canadá)



ADVERTENCIA

Una inadecuada conexión a tierra en la secadora puede provocar lesiones graves o la muerte. Consulte a un electricista cualificado en caso de duda sobre si el aparato está adecuadamente conectado a tierra.

Para una secadora con conexión a tierra y conectada con cable:

1. La secadora DEBERÁ estar conectada a tierra. En caso de fallo o avería, la conexión a tierra reducirá el riesgo de descarga eléctrica mediante una vía de menor resistencia para la corriente eléctrica.
2. Como su centro de lavado está equipado con cable eléctrico con conductor de conexión de equipos a tierra y enchufe con conexión a tierra, el enchufe deberá enchufarse a una toma de corriente adecuada, debidamente instalada y conectada a tierra de acuerdo con todos los códigos y ordenanzas locales. En caso de duda, póngase en contacto con un electricista cualificado.
3. **NO** modifique el enchufe suministrado con este aparato. Si no se adapta a la toma de corriente, haga que un electricista cualificado instale una toma adecuada.

Requisitos de conexión a tierra - Secadora de gas (EE.UU. y Canadá)

1. El centro de lavado está equipado con un enchufe de tres clavijas (con conexión a tierra) para su protección contra riesgos eléctricos y deberá enchufarse directamente en una toma eléctrica adecuada con conexión a tierra.
2. El enchufe deberá conectarse a una toma adecuada debidamente instalada y con conexión a tierra de conformidad con todos los códigos y ordenanzas locales. En caso de duda, póngase en contacto con un electricista cualificado.
3. **NO** modifique el enchufe suministrado con este aparato. Si no se adapta a la toma de corriente, haga que un electricista cualificado instale una toma adecuada.



ADVERTENCIA

Una inadecuada conexión a tierra en la secadora puede provocar lesiones graves o la muerte. Consulte a un electricista cualificado en caso de duda sobre si el aparato está adecuadamente conectado a tierra.

Tomacorriente de pared con conexión a tierra



Bajo ninguna circunstancia corte, extraiga o desvíe las patas de conexión a tierra.



Cable de alimentación con enchufe de tres patas con conexión a tierra

14 Instrucciones de instalación

Conexión eléctrica (no Canadá) - cable de 3 hilos



Receptáculo de 3 cables
(NEMA tipo 10-30R)



ADVERTENCIA

PELIGRO DE DESCARGA ELÉCTRICA

No desconectar la fuente de alimentación antes de realizar tareas de servicio puede provocar lesiones personales o incluso la muerte.



ADVERTENCIA

PELIGRO DE ELECTROCUCIÓN

Etiquete todos los cables antes de desconectarlos al realizar revisiones. Los errores de cableado pueden causar un funcionamiento peligroso e inadecuado. Compruebe que todo funciona correctamente tras las revisiones.

1. Desconecte la fuente de alimentación de la salida.
2. Retire el tornillo que fija la cubierta de acceso a la regleta de bornas de la parte posterior de la secadora.
3. Instale un aprietacable con homologación UL siguiendo las instrucciones del fabricante del cable de alimentación/ aprietacable en el orificio de entrada del cable de alimentación bajo el panel de acceso. De momento, el aprietacable deberá quedar colocado sin apretar.
4. Ensarte un cable de alimentación de 30 amperios con homologación UL, **NO CONECTADO A LA RED**, NEMA 10-30 tipo SRDT por el aprietacable.
5. Conecte el conductor neutro (hilo central) del cable de alimentación al terminal central de color PLATA en la regleta de bornas. Apriete bien el tornillo.
6. Conecte los dos conductores exteriores restantes del cable de alimentación a los terminales exteriores de color COBRE de la regleta de bornas. Apriete bien los dos tornillos.



ADVERTENCIA

PELIGRO DE DESCARGA ELÉCTRICA

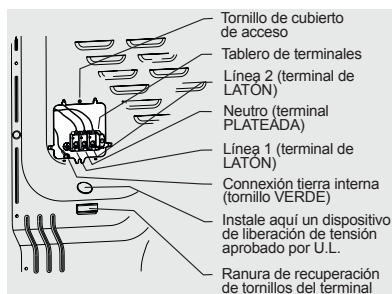
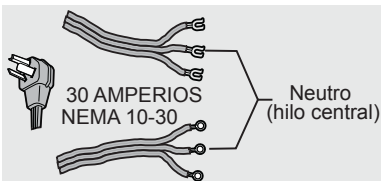
NO doble excesivamente ni apriete los hilos/conductores en las conexiones.

7. Siga las orientaciones del fabricante para fijar bien el aprietacable y el cable de alimentación.
8. Vuelva a instalar la cubierta de la regleta de bornas.



IMPORTANTE

Si traslada la secadora de un sistema de 4 hilos para instalarlo en un sistema de 3 hilos, ponga el hilo de tierra interior del terminal central en el tornillo VERDE junto a la regleta de bornas.

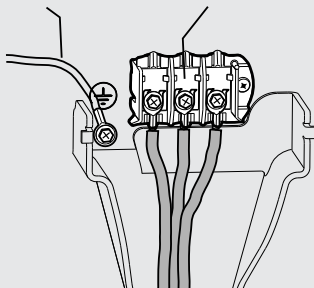


NOTA

En caso de que se caiga un borne de tornillo durante la instalación del cable, se puede recuperar en la ranura bajo el panel de acceso.

¡¡NO quite la conexión a tierra interna en un sistema de 3 conectores!!

Terminal neutro



Conexión eléctrica (no Canadá) - cable de 4 hilos



Receptáculo de 4 cables
(NEMA tipo 14-30R)



ADVERTENCIA

PELIGRO DE DESCARGA ELÉCTRICA

No desconectar la fuente de alimentación antes de realizar tareas de servicio puede provocar lesiones personales o incluso la muerte.



ADVERTENCIA

PELIGRO DE ELECTROCUCIÓN

Etiquete todos los cables antes de desconectarlos al realizar revisiones. Los errores de cableado pueden causar un funcionamiento peligroso e impropio. Compruebe que todo funciona correctamente tras las revisiones.

1. Desconecte la fuente de alimentación de la salida.
2. Retire el tornillo que fija la cubierta de acceso a la regleta de bornas de la parte posterior de la secadora.
3. Instale un aprietacable con homologación UL siguiendo las instrucciones del fabricante del cable de alimentación/aprietacable en el orificio de entrada del cable de alimentación bajo el panel de acceso. De momento, el aprietacable deberá quedar colocado sin apretar.
4. Ensarte un cable de alimentación de 30 amperios con homologación UL, **NO CONECTADO A LA RED**, NEMA 14-30 tipo DRT o SRDT por el aprietacable.
5. Desconecte el hilo de tierra interior (BLANCO) del mazo de la secadora del tornillo de tierra (VERDE) junto a la regleta de bornas.
6. Conecte el hilo de tierra (VERDE) del cable de alimentación al armario con el tornillo de tierra (VERDE). Apriete bien el tornillo.
7. Mueva el arnés de cables de conexión a tierra interno de la secadora (BLANCO) al bloque terminal y conéctelo con el cable conductor neutral (BLANCO) al centro, terminal PLATEADO en el bloque terminal. Apriete bien el tornillo.
8. Conecte los conductores ROJO y NEGRO del cable de alimentación a los terminales exteriores de color COBRE de la regleta de bornas. Apriete bien los dos tornillos.

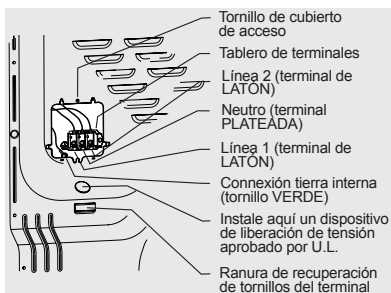
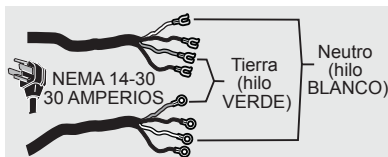


ADVERTENCIA

PELIGRO DE DESCARGA ELÉCTRICA

NO doble excesivamente ni apriete los hilos/conductores en las conexiones.

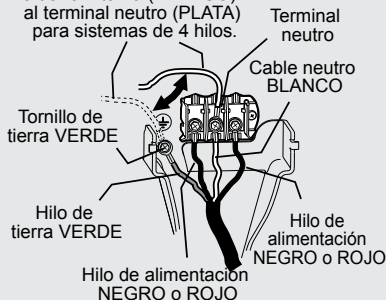
9. Siga las orientaciones del fabricante para fijar bien el aprietacable y el cable de alimentación.
10. Vuelva a instalar la cubierta de la regleta de bornas.



NOTA

En caso de que se caiga un borne de tornillo durante la instalación del cable, se puede recuperar en la ranura bajo el panel de acceso.

Mueva el hilo de conexión a tierra interno (BLANCO) al terminal neutro (PLATA) para sistemas de 4 hilos.



16 Instrucciones de instalación

Sin conexión

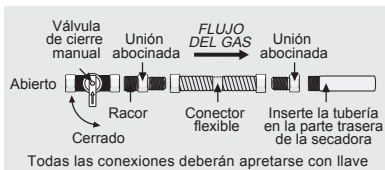
1. Retire la tapa para el transporte de la tubería de gas de la parte trasera de la secadora.



IMPORTANTE

NO conecte la secadora al servicio de gas L.P. sin convertir la válvula de gas. Haga que un técnico de gas cualificado instale un kit de conversión para L.P.

2. Conecte un tubo de 1,27 cm (1/2 pulgada) de diámetro interno semirrígido o aprobado al tubo de 0,96 cm (3/8 pulgada) situado en la parte trasera de la secadora. Utilice un redactor de 1,27 cm a 0,96 cm (1/2 pulgada a 3/8 pulgadas) para la conexión. Aplique un sellador aprobado para roscas que sea resistente a la acción corrosiva de gases licuados en todas las uniones de tubos.

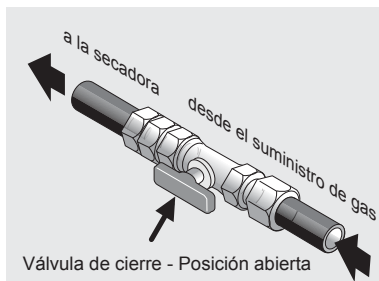


3. Abra la válvula de apagado de la línea de suministro de gas para permitir que pase el gas por la tubería. Espere unos minutos para que fluya el gas por el tubo del gas.



IMPORTANTE

El conducto de suministro deberá estar equipado con una válvula de cierre manual. Esta válvula debe estar situada en la misma habitación que la secadora y debe estar en una ubicación que permita cerrarla y abrirla con facilidad. **NO** bloquee el acceso a la válvula de cierre del gas.



4. Compruebe con un manómetro si hay fugas en el sistema de gas. Si no dispone de manómetro, compruebe todas las conexiones con una solución de agua jabonosa.



ADVERTENCIA

PELIGRO DE EXPLOSIÓN

EN NINGÚN CASO compruebe si hay pérdidas de gas con una llama abierta.



IMPORTANTE

La instalación del servicio de gas deberá seguir los códigos y normas locales, así como la última edición del Código Nacional de Gas Combustible ANSI Z223.1/ NFPA 54 o en Canadá, CSA B149.1.

Conexión de agua (modelo de vapor únicamente)



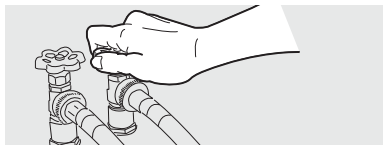
ADVERTENCIA

De vez en cuando revise todas las mangueras de entrada de agua por si hubiera fugas de agua, desgaste, corrosión o salientes. Sustituya todas las mangueras en caso de que suceda algo de lo anterior. Todas las mangueras deberán reemplazarse cada 5 años para reducir el riesgo de fallo.

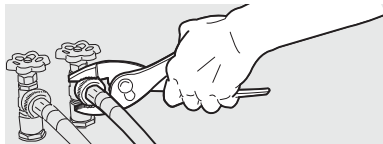
Requisitos de suministro de agua

Las llaves de agua fría y caliente DEBERÁN instalarse a menos de 107 cm (42 pulgadas) de la entrada de agua de la lavadora. Las llaves DEBERÁN ser de 1,9 cm (3/4 de pulgada) con roscado para conexión a manguera de lavado. La presión del agua DEBERÁ estar entre 20 y 120 psi. El servicio de aguas podrá asesorarle sobre su presión de agua.

1. Fermez l'alimentation en eau FROIDE vers la laveuse.



2. Retirer le tuyau d'arrivée FROID du COLD Approvisionnement en eau et inspecter pour le caoutchouc machine à laver. Reemplace la junta si está gastada.



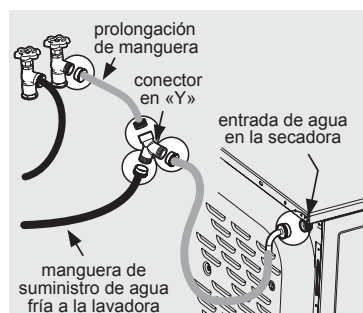
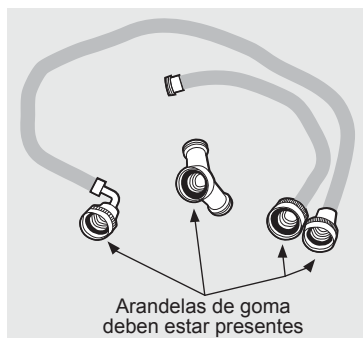
Conexión de agua (modelo de vapor únicamente)



3. Activer momentanément l'alimentation FROID et passer de l'eau dans un seau ou récipient pour effacer les contaminants dans la ligne.



4. Inspeccione los acoplamientos de las mangueras para asegurarse de que las juntas de goma estén correctamente colocadas. Utilice mangueras del JUEGO DE MONTAJE DE MANGUERAS# 5304495002 (no incluido).

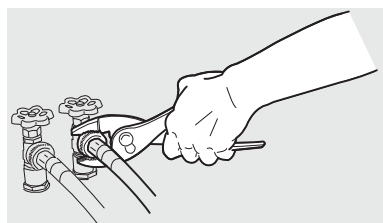


5. Si es posible que el suministro de agua acepte directamente el conector "Y", conecte el conector "Y" al suministro de agua y ajústelo a mano. A continuación apriételo dando 2 o 3 giros con la ayuda de un alicate.

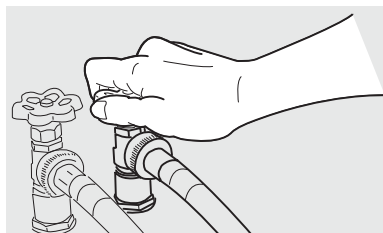
NOTA

Si pudo instalar el conector "Y" directamente al suministro de agua, vaya al paso 8.

6. Si no se puede instalar directamente el conector "Y", una la extensión corta al suministro de agua y ajústelo a mano. A continuación, apriételo dando 2 o 3 giros con la ayuda de un alicate.
7. Una el conector "Y" a la manguera de extensión corta y ajústelo a mano. A continuación, apriételo dando 2 o 3 giros con la ayuda de un alicate.
8. Conecte la manguera de entrada de la lavadora al conector "Y" y ajústelo a mano. A continuación apriételo dando 2 o 3 giros con la ayuda de un alicate.
9. Conecte el extremo de la manguera larga del kit a la otra toma de corriente en el conector "Y" y ajústelo a mano. Conecte el acople para manguera de 90° a la entrada de agua de latón en la parte trasera de la secadora y ajústelo a mano. Apriete cada conexión de la manguera de entrada de la secadora dando 2 o 3 giros con la ayuda de un alicate.



10. Abra el agua y compruebe si hay pérdidas.



18 Instrucciones de instalación

Instalación rápida

1. Conecte el conducto de extracción al sistema de extracción exterior. Se recomienda utilizar una abrazadera de 10,2 cm (4") para conectar la secadora al sistema de ventilación de salida. Utilice cinta de aluminio para sellar todas las demás juntas.
2. Use un nivel de carpintero para nivelar su secadora de adelante a atrás y de lado a lado.
3. Utilice alicates ajustables para ajustar las patas de nivelación de modo que el centro de lavado esté nivelado desde delante hacia detrás y de lado a lado, y estable de esquina a esquina.
4. Presione hacia abajo en distintas esquinas y lados para comprobar si existe el menor movimiento. Ajuste la(s) pata(s) correspondiente(s) de modo que el centro de lavado quede bien apoyado sobre LAS CUATRO patas. Mantenga al mínimo la extensión de la pata de nivelación para conseguir el mejor resultado de la lavadora.



IMPORTANTE

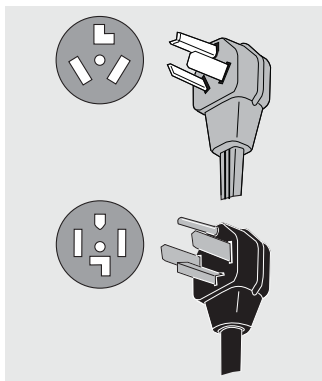
Compruebe que no haya corriente en un disyuntor/caja de fusibles antes de enchufar el cable en una toma de corriente.

5. Enchufe el cable eléctrico a una toma de corriente conectada a tierra.



ADVERTENCIA

Una inadecuada conexión a tierra en la secadora puede provocar lesiones graves o la muerte. Consulte a un electricista cualificado en caso de duda sobre si el aparato está adecuadamente conectado a tierra.



6. Encienda el interruptor del disyuntor/caja de fusibles.
7. Lea la Guía de Uso y Cuidado facilitada con la secadora. Contiene valiosa información útil que le ahorrará tiempo y dinero.
8. Si tiene alguna pregunta al comenzar la operación, revise la Guía de Uso y Cuidado antes de llamar.
9. Guarde estas instrucciones cerca del aparato para futuras consultas.



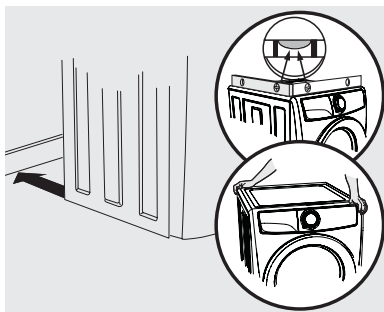
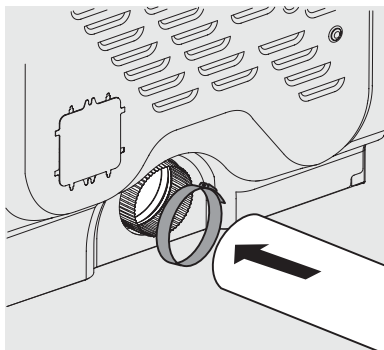
NOTA

Encontrará un diagrama de cableado y una hoja de datos técnicos detrás del panel de acceso posterior de la secadora.



PRECAUCIÓN

Al desechar o guardar su antigua secadora, retire la puerta.





NOTA

La reversibilidad de la puerta está disponible en todos los modelos de secadora.

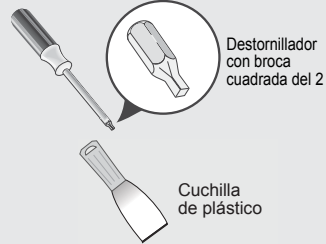


IMPORTANTE

ANTES DE INVERTIR LA PUERTA DE LA SECADORA:

1. Asegúrese de tener suficiente espacio de movimiento antes de invertir la puerta.
2. Reúna sus herramientas, incluyendo un destornillador con una punta cuadrada del nº 2 y un cuchillo de plástico (u otra herramienta pequeña y plana para hacer palanca que no dañe la pintura).
3. Asegúrese de que la secadora está desenchufada.

Herramientas necesarias:



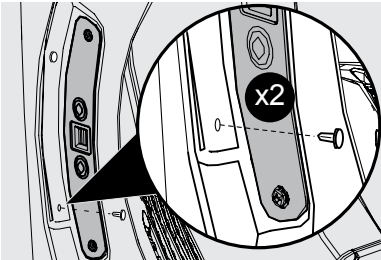
ADVERTENCIA

PELIGRO DE DESCARGA ELÉCTRICA

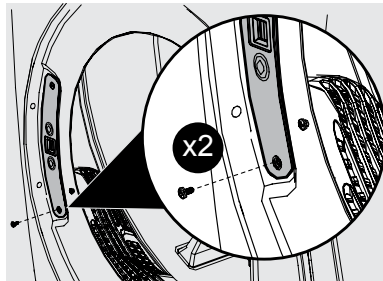
No desconectar la fuente de alimentación antes de realizar tareas de servicio puede provocar lesiones personales o incluso la muerte.

Retirar el cerrojo y el tapón

1. Abra la puerta.
2. Quite los tapones de plástico y consérvelos para reinstalarlos más tarde. Es posible que tenga que usar un cuchillo de plástico que no raye si no consigue quitar los tapones manualmente.



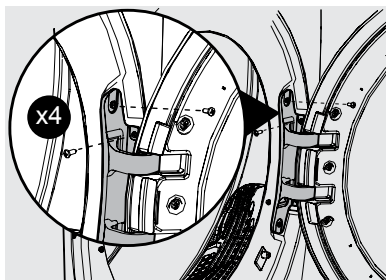
3. Quite ambos tornillos del cerrojo de la puerta. Conserve el cerrojo y los tornillos para la posterior reinstalación.



20 Puerta reversible

Retirar el conjunto de la puerta

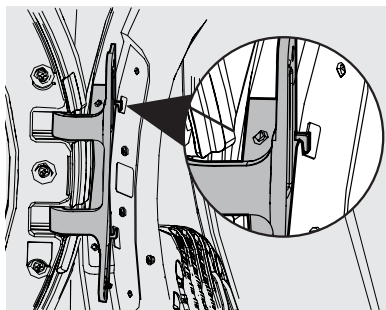
1. Abra completamente la puerta para exponer los cuatro tornillos de la bisagra.
2. Quite los cuatro tornillos de las bisagras con un destornillador de punta cuadrada de nº 2. Consérvelos para la posterior reinstalación.



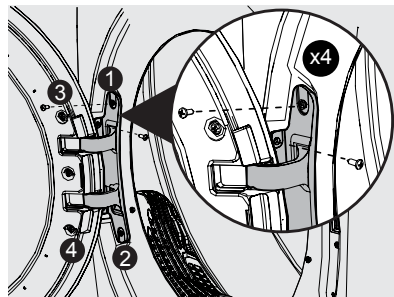
3. Agarre la puerta con las dos manos y elévela ligeramente mientras separa la puerta y la bisagra del panel frontal.

Reinstalación del ensamble de puerta

1. Gire la puerta y cuelgue el gancho superior en la parte trasera de la bisagra en el agujero superior del panel frontal.

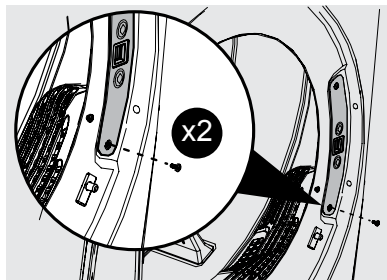


2. Reinstale y apriete los cuatro tornillos retirados anteriormente - primero los dos frontales y, a continuación, los dos laterales.

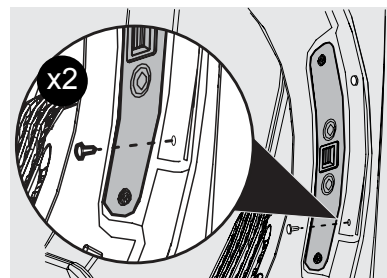


Reinstalación del cerrojo y los tapone

1. Instale el cerrojo de la puerta con los tornillos retirados anteriormente.



2. Inserte los tapones de plástico retirados anteriormente.



Verifique el funcionamiento de la puerta inversa

1. Compruebe que la puerta se abre y se cierra correctamente y que el cerrojo está seguro al cerrar.
2. Cargue la secadora y cierre la puerta. Comience un ciclo de prueba: el tambor deberá girar hasta que se abra la puerta o se detenga o cancele el ciclo.

Ver los accesorios

PEDESTAL DE ALMACENAJE DE ACCESORIOS*

Pedestal blanco - P/N EPWD257UIW
 Pedestal de titanio- P/N EPWD257UTT
 Se puede usar un accesorio de la base de almacenaje, especialmente diseñado para esta secadora, para elevarla con comodidad. Este pedestal aumentará sobre 15" (38 cm) a la altura de su unidad.

*Puede haber otros colores disponibles. Contacte con el establecimiento donde adquirió su centro de lavado.

KIT DE APILADO DE SECADO P/N STACKIT7X

Dependiendo del modelo que adquirió, puede haberse incluido en su compra inicial un kit para apilar los accesorios de la secadora en la parte superior de esta lavadora. Si no se incluye o desea otro, puede solicitar uno.

KIT CONVERSIÓN LP P/N PCK4200

Las secadoras de gas previstas para utilizar en una ubicación con suministro de LP deberán utilizar un kit de conversión antes de la instalación.

KIT DE INSTALACIÓN EN VIVIENDAS MÓVILES P/N 137067200

La instalación en una vivienda móvil precisa el uso de un KIT DE INSTALACIÓN EN VIVIENDAS MÓVILES.

REJILLA DE SEC P/N A04840701

Dependiendo del modelo que adquirió, puede haberse incluido en su compra inicial una rejilla de secado. Si no se incluye o desea otra, puede solicitar una.

LLAVE UNIVERSAL PARA ELECTRODOMÉSTICO P/N 137019200

Está a la venta una LLAVE UNIVERSAL PARA ELECTRODOMÉSTICOS para facilitar el ajuste de las patas de la lavadora/secadora.

ROTULADORES DE RETOQUE

Blanco - P/N 5304468812

Titanio - P/N 5304475700

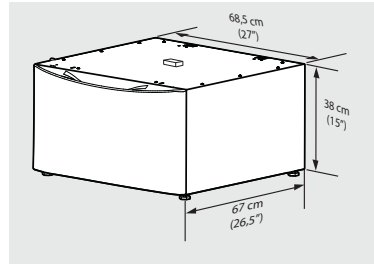
*Puede haber otros colores disponibles. Contacte con el establecimiento donde adquirió su centro de lavado.

JUEGO DE MONTAJE DE MANGUERAS P/N 5304495002

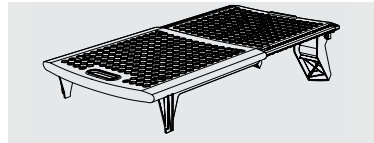


ADVERTENCIA

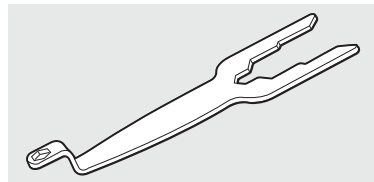
Si no utiliza accesorios fabricados o autorizados por el fabricante, pueden producirse lesiones personales y daños en la propiedad o en la lavadora.



Pedestal de almacenamiento



Estante de secado



Llave universal para electrodomésticos

Piezas de recambio en EE.UU. y Canadá

En caso de necesitar piezas de repuesto para su secadora, puede contactar con el establecimiento donde la adquirió, llamar a 1-877-4ELECTROLUX (1-877-435-3287) en EE.UU. o 1-800-265-8352 en Canadá, o visitar nuestra página web, www.electroluxappliances.com en EE.UU. o www.electroluxappliances.ca en Canadá para encontrar el distribuidor de piezas de Electrolux más cercano.

Notas

electrolux.com/shop

