

GAS COOKTOPS

EW36GC55P S/B



PRODUCT DIMENSIONS

| | |
|---|---------|
| Width | 36" |
| Depth | 21-3/4" |
| Height (Extreme Bottom to Underside of Cooktop) | 4-1/4" |

MORE EASY-TO-USE FEATURES

PLATINUM STAR® LIMITED WARRANTY

Our exclusive limited warranty that includes a 3-year coverage on parts and one year on labor without charge.¹

PERFECT OVER A WALL OVEN

Mounts above a single wall oven for additional installation options.

DISHWASHER-SAFE GRATES

For easy cleanup.

A.D.A. COMPLIANT

When properly installed, this model is A.D.A.-qualified based on the United States Access Board's A.D.A./A.B.A. Accessibility Guidelines and the Department of Justice's 2010 A.D.A. Standards for Accessible Design.

SIGNATURE FEATURES



MIN-2-MAX® GAS BURNER

Designed with a dual-flame sealed burner, this cooktop offers the widest range of BTU performance in the industry for the utmost versatility — from a roaring 20,000-BTU boil to a 1,100-BTU simmer.



PROFESSIONAL-GRADE CONTROL KNOBS

Professional grade control knobs are designed to provide you with pinpoint precision control.



DEEP-WELL DESIGN

Keeps spills contained for easy cleanup and lowers the cooking surface to countertop-level, which makes moving oversized pots and pans onto and off of the cooking surface much easier.



CONTINUOUS GRATES

Designed for cooking multiple dishes at varying temperatures on a single cooktop. These grates allow easy movement of even the heaviest pots and pans from burner to burner — without lifting.

Available in:



Stainless
(S)



Black
(B)

| BURNER | BTU |
|-------------------------------------|----------------|
| Min-2-Max® Dual-Flame Sealed Burner | 20,000 - 1,100 |
| Sealed Power Burner | 14,000 |
| Sealed Precision Burner | 9,500 |
| Sealed Precision Burner | 5,000 - 750 |

¹Eligibility based on product registration with Electrolux North America within 60 days of purchase. Products must have been purchased on or after July 1, 2013. Coverage includes material parts for 3 years and labor for 1 year.

GAS COOKTOPS

EW36GC55P S/B



36" GAS COOKTOPS

FEATURES

| | |
|--|-----|
| Deep-Well Formed Cooktop | Yes |
| Professional-Grade Burner Controls | Yes |
| Continuous Grates | Yes |
| Min-2-Max® Dual Flame Sealed Burner – 20,000 - 1,100 BTU | 1 |
| Sealed Power Burner – 14,000 BTU | 1 |
| Sealed Precision Burner – 9,500 BTU | 2 |
| Sealed Precision Burner – 5,000 - 750 BTU | 1 |
| Linear Flow Burner Valves | Yes |
| Electric Pilotless Ignition | Yes |
| A.D.A. Compliant* | Yes |

ACCESSORIES

| | |
|---|--------------|
| Granite Countertop Installation Kit – PN# 903103-9010 | Optional |
| Grill / Griddle – PN# 318251609 | Mail-In Card |
| LP Gas Conversion Kit | Included |

SPECIFICATIONS

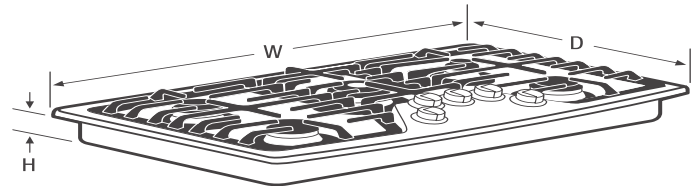
| | |
|---|--------------------|
| Color – | |
| Stainless Steel | S |
| Black | B |
| Gas/Power Supply Connection Location | Right Bottom Rear |
| Voltage Rating | 120V / 60 Hz / 15A |
| Connected Load (kW Rating) @120 Volts‡ | .12 |
| Electrical Cable | Yes |
| Approved for Single Oven Combination Installation** | Yes |
| Shipping Weight (Approx.) | 64 |

*When properly installed, this model is A.D.A.-qualified based on the United States Access Board's A.D.A./A.B.A. Accessibility Guidelines and the Department of Justice's 2010 A.D.A. Standards for Accessible Design.

NOTE: Always consult local and national electric and gas codes. Refer to Product Installation Guide for detailed installation instructions on the web at electroluxappliances.com.

Specifications subject to change.

**Approved to be used over any Electrolux Single Wall Oven



PRODUCT DIMENSIONS

| | |
|---|---------|
| Width | 36" |
| Depth | 21-3/4" |
| Height (Extreme Bottom to Underside of Cooktop) | 4-1/4" |

Electrolux Major Appliances, N.A.

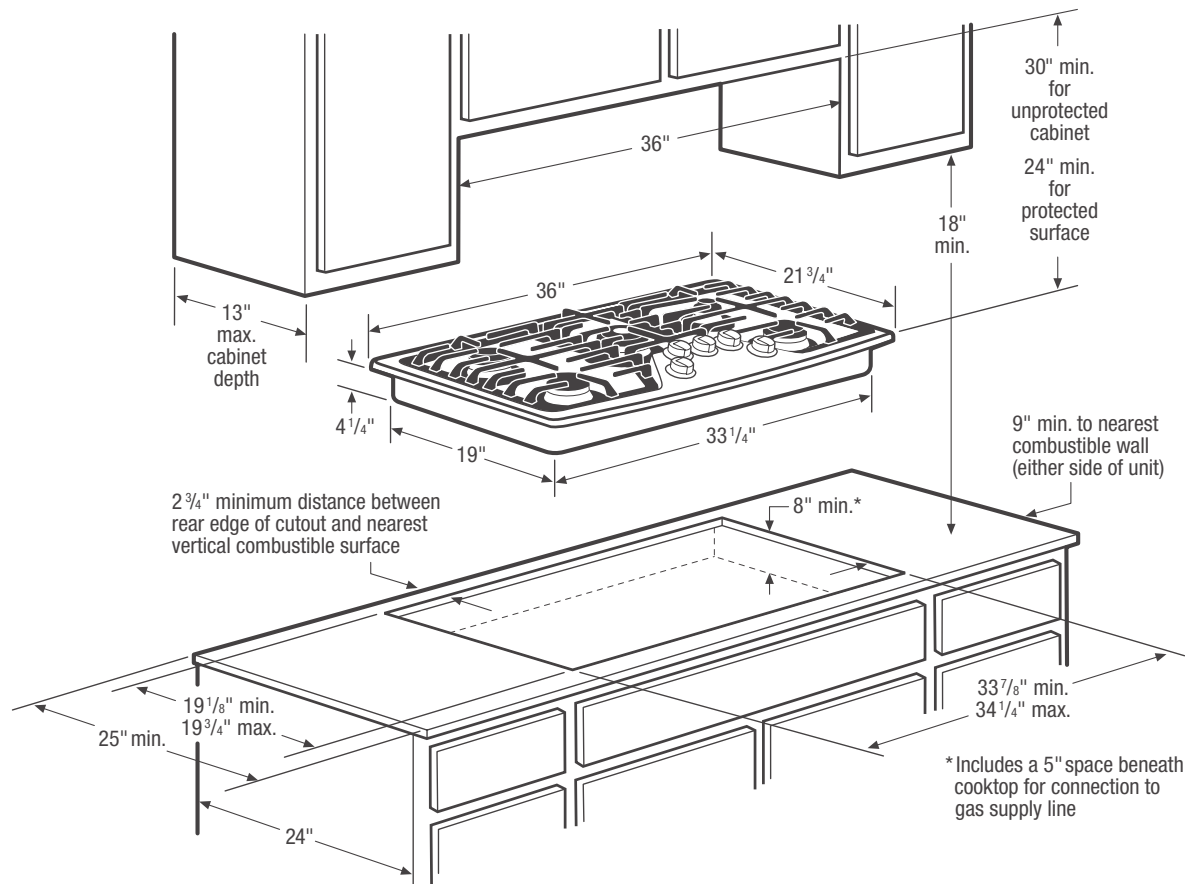
USA • 10200 David Taylor Drive • Charlotte, NC 28262 • 1-877-4electrolux (1-877-435-3287) • electroluxappliances.com
 CANADA • 5855 Terry Fox Way • Mississauga, ON L5V 3E4 • 1-800-265-8352 • electroluxappliances.ca

EW36GC55P 06/14

© 2014 Electrolux Home Products, Inc.



High standards of quality at Electrolux Home Products, Inc. mean we are constantly working to improve our products. We reserve the right to change specifications or discontinue models without notice.



36" Gas Cooktop Specifications

- Product Weight – 53 Lbs.
- Voltage Rating –120V/60Hz/15 Amps
- Connected Load (kW Rating) @120 Volts = .12kW (For use on adequately wired 120V, dedicated circuit having 2-wire service with a separate ground wire. Appliance must be grounded for safe operation.)
- Amps @120 Volts = 1.0 Amps
- Always consult local and national electric and gas codes.
- Recommended location for grounded 120V outlet is on rear wall in an 8" wide by 10" high area, positioned 22" above floor surface and 4" from right side of cooktop centerline. Access to underside of cooktop and junction box must be provided for inspection and service.
- Cooktop ships with 3/4" factory regulator.
- LP Gas conversion kit supplied.
- Overhead cabinetry should not exceed a 13" maximum depth.
- Allow 30" minimum clearance between top of cooktop and bottom of unprotected wood or metal overhead cabinetry.
- Absolute minimum horizontal distance between overhead cabinets installed to either side of appliance must be no less than 36".
- Allow 24" minimum clearance when bottom of wood or metal overhead cabinet is protected by not less than 1/8" flame-retardant millboard covered with not less than No. 28 MSG sheet steel, 0.015" stainless steel, 0.024" aluminum or 0.020" copper.

- Allow 2-3/4" minimum distance between rear edge of cutout and nearest combustible surface above countertop.
- Allow 9" minimum clearance from edge of cooktop to nearest combustible wall on either side of unit.
- Installation of drawers beneath cooktop requires minimum 6-1/2" clearance beneath countertop surface and assured clearance for gas and electrical connections.
- To reduce risk of fire when using overhead cabinetry, install range hood that projects horizontally a recommended minimum of 5" beyond bottom of cabinets.
- Gas Cooktop model EW36GC55P is approved to be used over any Electrolux Electric Single Wall Oven. (Refer to Gas Cooktop Installation Over 30"/ 27" Electric Single Wall Oven Specifications page on web.)

Note: For planning purposes only. Refer to Product Installation Guide on the web at electroluxappliances.com for detailed instructions.

Optional Accessories

- Granite Countertop Installation Kit – (PN# 903103-9010).

Electrolux Major Appliances, N.A.

USA • 10200 David Taylor Drive • Charlotte, NC 28262 • 1-877-4electrolux (1-877-435-3287) • electroluxappliances.com
 CANADA • 5855 Terry Fox Way • Mississauga, ON L5V 3E4 • 1-800-265-8352 • electroluxappliances.ca

