

Downdraft Vent

E36DD75ESS



Slim Style

Designed to work in perfect harmony with your 36" gas or electric cooktop.



Infinite-Speed Blower Control

The ultraquiet blower allows you to dial in the precise airflow needed.



10"-High Intake

When activated, the downdraft rises 10" to capture even the most stubborn cooking odors. Can be vented through wall or roof.



Cleans Your Air Quietly

The strong, powerful performance of this 1600 CFM system matches your cooktop's output and aromas vanish into thin air. Blower is included with the downdraft vent.

36" DOWNDRAFT VENT

Features

| | |
|---|----------------|
| Nominal Width | 36" |
| Installation Type | In-Cabinet |
| Controls | Electronic |
| Air Discharge | Down |
| Air Delivery (CFM) | 1600 |
| Intake Area | 10" |
| Blower Type (Remote)* | External |
| Fan Speeds | Infinite Speed |
| Dishwasher Safe Stainless Steel Filters | Yes |
| Exhaust Duct | External |
| Duct Required | 3-1/4" x 10" |

Specifications

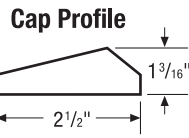
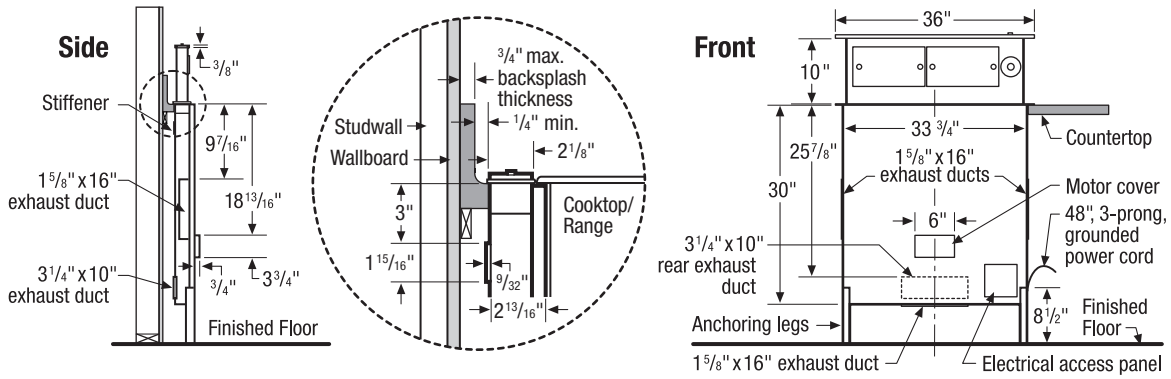
| | |
|---|----------------------|
| Color | Stainless Steel |
| Product Dimensions – | |
| Height (Including 10" Rise) | 40" |
| Width | 36" |
| Depth | 9-27/32" |
| Voltage Rating | 120V/60Hz/15A or 20A |
| Connected Load (kW Rating) @ 120 Volts [†] | 1.0 |
| Amps @ 120 Volts | 8.0 |
| Motor Power Cord Location | Bottom Right |
| Shipping Weight (Approx.) | 55 Lbs. |

[†] For use on adequately wired 120V, dedicated circuit having 2-wire service with a separate ground wire. Appliance must be grounded for safe operation.

* Remote Exhaust Blower (PN# 5304444802 included with vent — shipped in separate box.

NOTE: Always consult local and national electric codes. Check local building codes for installation requirements, as they may vary per locale. Refer to Product Installation Guide for detailed installation instructions on the web at electroluxappliances.com.

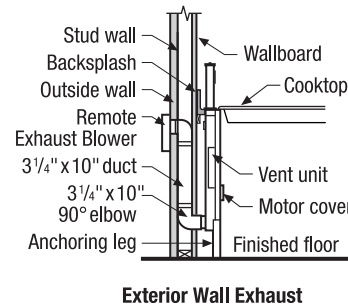
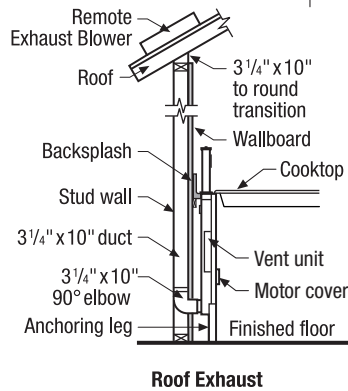
Specifications subject to change.



Specifications

| For Use With | Duct Size |
|--------------|--------------|
| 36" Cooktops | 3 1/4" x 10" |

Against-Wall Downdraft Installations



36" Downdraft Vent Specifications

- Voltage Rating – 120V/ 60Hz/ 15 or 20 Amps
- Connected Load (kW Rating) @ 120 Volts = 1.0kW (For use on adequately wired 120V, dedicated circuit having 2-wire service with a separate ground wire. Appliance must be grounded for safe operation.)
- Amps @ 120 Volts = 8.0 Amps
- Do not use same circuit as cooktop.
- Always consult local and national electric codes. Check local building codes for installation requirements, as they may vary per locale.
- Vent must be installed in vertical orientation only.
- Vent unit outside of building only.
- Exhaust Duct Required – 3-1/4" x 10" (3-1/4" x 10" to round transition duct will be needed)
- Do not use flexible duct. Round duct instead of rectangular duct recommended, especially when elbows are required.
- When multiple elbows are necessary, ensure a minimum of 24" of straight duct between any two elbows.
- Thermal breaks such as short section of nonmetallic duct, should be used in areas of extreme cold.
- For most efficient airflow exhaust, use a straight run or as few elbows as possible.

- Cold weather installations should have additional backdraft damper installed.
- Installing a Downdraft Vent in combination with any gas cooking surface will affect optimum burner efficiency.
- Downdraft Vents can NOT be used in combination with any cooktop backsplash.
- Downdraft Vent model E36DD75ESS is approved to be used in combination with Electrolux Drop-In Cooktop models EW36EC55G, EW36IC60I, EW36CC55G and EW36GC55G; (For detailed countertop preparation, refer to Drop-In Cooktop/Downdraft Vent Countertop Preparation page on web.)

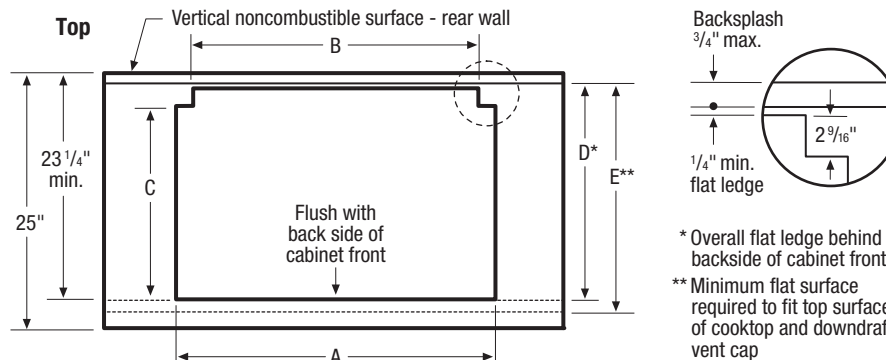
Remote Exhaust Blower

- 1,600 CFM remote exhaust blower (PN# 5304444802) included with vent – shipped in separate box.
- Installation Options – roof or exterior wall mount for against-wall vent installation and under-floor mount for island vent installation.

Note: For planning purposes only. Refer to Product Installation Guide on the web at electroluxappliances.com for detailed instructions.

Countertop Preparation for 30" & 36" Cooktop/Downdraft Vent Installation

For detailed cooktop and downdraft vent installation specifications, refer to model-specific product page and installation guide on web



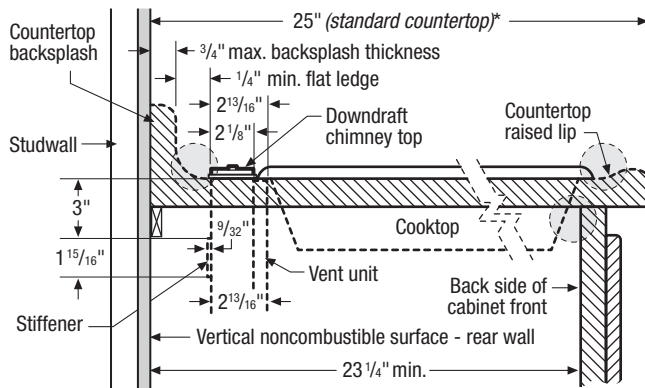
* Overall flat ledge behind backside of cabinet front
** Minimum flat surface required to fit top surface of cooktop and downdraft vent cap

E30DD75ESS/30" Cooktop Cutout Dimensions

| 30" Cooktops | A | B | C | D | E |
|--------------|---------|---------|---------|----------|----------|
| EW30IC60I | 30" | 27 3/4" | 20 1/2" | 23 5/16" | 24 5/16" |
| EW30CC55G | 30" | 27 3/4" | 20 1/2" | 23 5/16" | 24 5/16" |
| EW30EC55G | 30" | 27 3/4" | 20 5/8" | 23 7/16" | 24 7/16" |
| EW30GC55G | 28 1/2" | 27 3/4" | 19 3/4" | 22 9/16" | 23 9/16" |
| EW30GC60I | 28 1/2" | 27 3/4" | 19 3/4" | 22 9/16" | 23 9/16" |

E36DD75ESS/36" Cooktop Cutout Dimensions

| 36" Cooktops | A | B | C | D | E |
|--------------|---------|---------|---------|----------|----------|
| EW36IC60I | 36 1/4" | 33 3/4" | 20 1/2" | 23 5/16" | 24 5/16" |
| EW36CC55G | 36 1/4" | 33 3/4" | 20 1/2" | 23 5/16" | 24 5/16" |
| EW36EC55G | 36" | 33 3/4" | 20 5/8" | 23 7/16" | 24 7/16" |
| EW36GC55G | 34 1/4" | 33 3/4" | 19 3/4" | 22 9/16" | 23 9/16" |



Cooktop Installation Note:

To ensure proper installation, refer to model-specific installation guide on web for cooktop dimensions, cutout dimensions and cabinet requirements. Due to varying cooktop depths, tight fit is possible between cooktop and vent.

Countertop Preparation Note:

Be aware of areas of potential interference called out in illustration. Countertop with raised lip and/or backsplash may not allow enough flat area for proper installation, 2-13/16" of flat countertop required behind cooktop. No gap required between back of cooktop and front of downdraft trim piece.

*Standard 25" countertop depth may NOT be adequate for some cooktop/vent installations, especially with backsplash.

Cooktop/Downdraft Vent Countertop Preparation Specifications

- For detailed Cooktop installation, refer to model-specific product page and installation guide on web. Plan installation so that all required minimum clearances between cooktop, overhead cabinets and adjacent vertical walls are provided.
- Position cooktop/vent cutout so all required minimum clearances are met.
- Minimum flat countertop area must meet or exceed combined overall width and depth as shown. Standard 25" countertop depth may NOT be adequate for some cooktop/vent installations, especially with backsplash.
- Separate circuits required for cooktop and vent. (Refer to product-specific electrical specifications.)
- Always consult local and national electric and gas codes. Check local building codes for installation requirements, as they may vary per locale.

Downdraft Vent Specifications

- For detailed Downdraft Vent installations, refer to model-specific product page and installation guide on web.
- Voltage Rating – 120V/ 60Hz/ 15 Amps
- Connected Load (kW Rating) @ 120 Volts = 1.0kW (For use on adequately wired 120V, dedicated circuit having 2-wire service with a separate ground wire. Appliance must be grounded for safe operation.)

- Amps @ 120 Volts = 8.0 Amps
- Vent unit outside of building only.
- Vent must be installed in vertical orientation only.
- 1,600 CFM remote exhaust blower (PN#5304444802) included with vent – shipped in separate box.
- Do not use flexible duct. Round duct instead of rectangular duct recommended, especially when elbows are required.
- When multiple elbows are necessary, ensure a minimum of 24" of straight duct between any two elbows.
- Thermal breaks such as short section of nonmetallic duct, should be used in areas of extreme cold.
- For most efficient airflow exhaust, use a straight run or as few elbows as possible.
- Cold weather installations should have additional backdraft damper installed.
- Installing a Downdraft Vent in combination with any gas cooking surface will affect optimum burner efficiency.

Note: For planning purposes only. Refer to Product Installation Guide on the web at electroluxappliances.com for detailed instructions.