



Electrolux

DISHWASHER

EI24ID50QS

Featuring IQ-Touch™ Electronic Controls



PRODUCT DIMENSIONS

Height (Adjustable)	33-3/4" – 35-3/4"
Width	23-3/4"
Depth	24-1/4"

MORE EASY-TO-USE FEATURES

THIRD-LEVEL RACK

Convenient space for spatulas and unique kitchen tools, or extra room for everyday utensils. Easily lifts out for convenient unloading.

EASY-LIFT ADJUSTABLE RACKS

Versatile racking system easily adjusts to provide the perfect place for all your dishware — no pinching, pulling, or toggling required.

LUXURY SOFT GRIP RACKS

Luxury Soft Grip Racks hold plastics and dishware in place, and prevent flipping, for a more thorough clean.

PERFECT STEMWARE™ GRIPS

Nine flexible grips gently hold stemware and other delicate items for a secure wash, every time.

LUXURY-QUIET™ DISHWASHER + CLEAN LIGHT

A sound package so quiet, we engineered Clean Light to let you know when your dishes are clean.

SMARTSOIL™ SENSOR

Responsive technology that delivers a more effective, more efficient clean by continuously monitoring water purity to determine exactly how long a cycle should run.

MORE CYCLES

With up to nine cycles — including Heavy, Normal, Fast Wash, Auto, Upper Rack Only, Eco Wash, Stemware, Rinse Only, and "My Favourite" — you can choose the perfect wash for any occasion.

MORE OPTIONS

An even more amazing wash with unique options like Air Dry, NSF® Certified Sanitize Rinse, Hi-Temp Wash, Max Dry, and Delay Start (1-24 hours).

FLEXIBLE UTENSIL BASKET

With a large capacity utensil basket that can be split, reconfigured, and placed anywhere, you have even more loading options.

ECOLUX

With an eye to conserving our natural resources — and keeping your utility bill low — Electrolux dishwashers are ENERGY-STAR®-Qualified and incorporate innovative features like Eco Wash, resource-saving Upper Rack Only cycle, and Air Dry option.

Available in:



Stainless
(S)

SIGNATURE FEATURES



PROCLEAN™ SYSTEM

Professional-level clean with ProClean™ System, featuring SatelliteSpray™, 30-minute Fast Wash Cycle, and Target Wash Zones.



SATELLITESPRAY™ ARM

An innovative rotating wash zone gives you 400% more water coverage, targeting virtually every spot in your dishwasher for a truly professional-level clean.



30-MINUTE FAST WASH CYCLE

Thoroughly cleans in just 30 minutes.



TARGET WASH ZONES

Four flexible spray jets deliver a targeted wash to the most challenging dirty dishes, from sport bottles to heavy-duty pots and pans.

24" BUILT-IN DISHWASHER

FEATURES

Stainless Steel Interior	Yes
Signature Soft-Arc Handle Design	Yes
Luxury-Hold™ Door	Yes
IQ-Touch™ Electronic Controls	Yes
Fully Integrated Control Panel	Yes
Tall-Tub Design	Yes
ProClean™ Wash System	Yes
SatelliteSpray™ Arm	Yes
Target Wash Zones	4
Wash Levels	5
AquaLux™ Wash System	Yes
Luxury-Quiet™ Sound Package	Yes
Sound Level	47 dB
SmartSoil™ Sensor	Yes
Luxury-Dry™ System	Yes
Adjustable Rinse Aid Dispenser with Indicator	Yes
ENERGY STAR®	Yes
Reclaimable	

CYCLES

Auto Wash	Yes
Heavy	Yes
Normal	Yes
Fast Wash (30-Min.)	Yes
Delicate	Yes
Perfect Stemware™ Cycle	Yes
Favourite	Yes
Eco Wash	Yes
Upper Rack Only	Yes
Rinse Only	Yes

OPTIONS

Hi-Temp. Wash	Yes
Heat/No Heat Dry	Yes
Max Dry	Yes
NSF® Certified Sanitize Option	Yes
Delay Start (Hours)	1-24

RACK SYSTEM

Nylon Rack System	Sure-2-Fit®
Luxury-Glide® Nylon Upper Rack –	
Adjustable Height	Yes
Cup Shelf/Perfect Stemware™ Holders	2/9
Fold-Down Tines	2 Rows
Rack Handle	Yes
Luxury-Glide® Nylon Lower Rack –	
Fold-Down Tines	4 Rows
Stemware/Champagne Glass Holders	2
Silverware Basket	2-Piece Split
Rack Handle	Yes
Third-Level Rack (Single Tray)	Yes

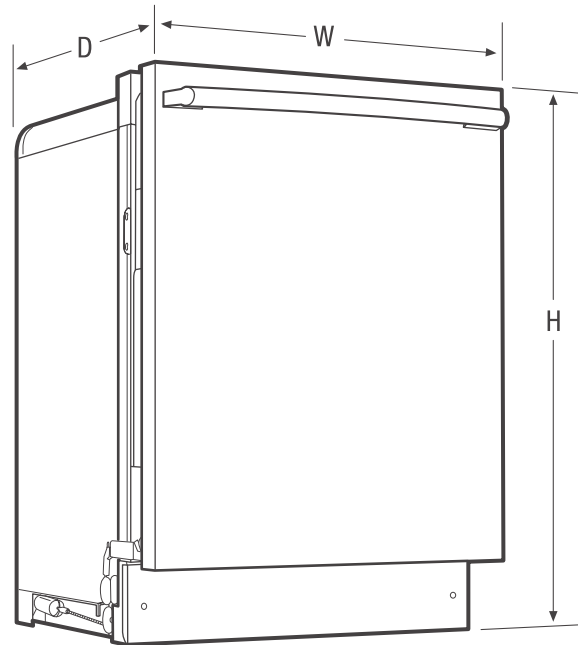
SPECIFICATIONS

Colour –	
Stainless Steel	S
Power Supply Location	Right Bottom Front
Water Inlet Location	Left Bottom Front
Water Usage (Gallons) – Normal Cycle	4.0 – 8.0
Water Pressure (PSI)	15 – 120
Integral Air Gap on Supply	Yes
Voltage Rating	120V/60 Hz/15A
Connected Load (kW Rating) @120 Volts†	1.44
Amps @ 120 Volts	15
Shipping Weight (Approx.)	115 Lbs.

† For use on adequately wired 120V, dedicated circuit having 2-wire service with a separate ground wire. Appliance must be grounded for safe operation.

NOTE: Always consult local and national electric and plumbing codes. Refer to Product Installation Guide for detailed installation instructions on the web at electroluxappliances.ca.

Specifications subject to change.



PRODUCT DIMENSIONS

Height (Adjustable*)	33-3/4" – 35-3/4"
Width	23-3/4"
Depth	24-1/4"
Depth with 90° Door Open	50-1/4"

*Height only adjustable to 35-3/4" max. when installed in 35-3/4" max. standard cabinetry cutout to allow for 5/16" min. clearance.



NSF Protocol for Sanitization and Cleaning Performance of Household Spray-Type Dishwashers (1997)

Electrolux Major Appliances, N.A.

CANADA • 5855 Terry Fox Way • Mississauga, ON L5V 3E4 • 1-800-265-8352 • electroluxappliances.ca

EI24ID50Q 06/14

© 2014 Electrolux Major Appliances, N.A.

High standards of quality at Electrolux Home Products, Inc. mean we are constantly working to improve our products. We reserve the right to change specifications or discontinue models without notice.

Printed in Canada