

Dishwasher

EIDW1805K S



Luxury-Quiet™ Dishwasher¹

So quiet you can run it whenever you want and no one will notice.



ENERGY STAR®

ENERGY STAR®-Qualified means at least 41% less energy is used².



Luxury-Hold™ Door

Our door stays put at whatever angle you place it.



Luxury-Glide® Racks

With our Luxury-Glide® technology, upper and lower racks are so smooth they extend effortlessly.

18" BUILT-IN DISHWASHER

Features

Stainless Steel Interior	Yes
Signature Soft-Arc Door and Handle Design	
Luxury-Hold™ Door	Yes
IQ-Touch™ Electronic Controls	Yes
Fully Integrated Control Panel	Yes
Tall-Tub Design	
SmartSoil™ Sensor	
Luxury-Quiet™ Sound Package	Yes
Sound Level	56 dB
Wash Levels	4
AquaLux™ Wash System	Yes
Adjustable Rinse Aid Dispenser with Indicator	Yes
ENERGY STAR®	Yes

Cycles

Heavy	Yes
Normal	Yes
Quick	Yes
Rinse Only	Yes
Eco Wash	Yes

Options

Hi-Temp. Wash	Yes
NSF® Certified Sanitize Option	Yes
Delay Start (Hours)	2, 4, 6

Rack System

Nylon Rack System	Yes
Luxury-Glide® Nylon Upper Rack –	
Adjustable Height	
Cup Shelf/Stemware Holder	1
Fold-Down Tines	
Rack Handle	
Luxury-Glide® Nylon Lower Rack –	
Fold-Down Tines	
Silverware Basket	3-Piece Split

Specifications

Colour –	
Stainless Steel	S
Product Dimensions –	
Height (Adjustable)	32-1/2" – 35"
Width	17-5/8"
Depth	23"
(with 90° Door Open)	46"
Power Supply Location	Right Bottom Front
Water Inlet Location	Left Bottom Front
Water Usage (Gallons) – Normal Cycle	4.0
Water Pressure (PSI)	15 – 120
Integral Air Gap on Supply	Yes
Voltage Rating	120V/60Hz/15A
Connected Load (kW Rating) @120 Volts ³	1.44
Amps@120 Volts	9
Shipping Weight (Approx.)	71 Lbs.

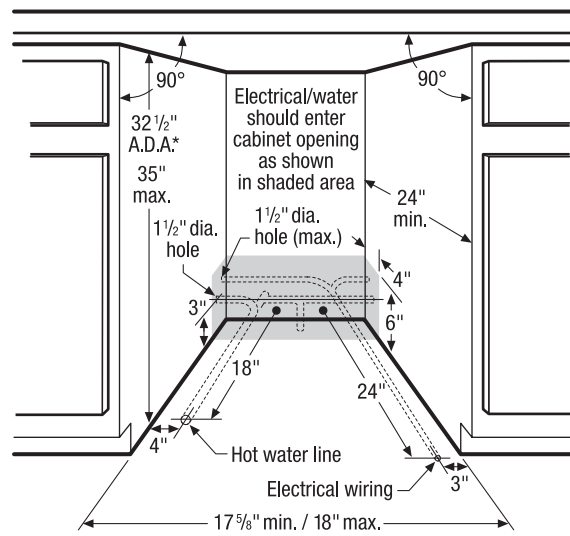
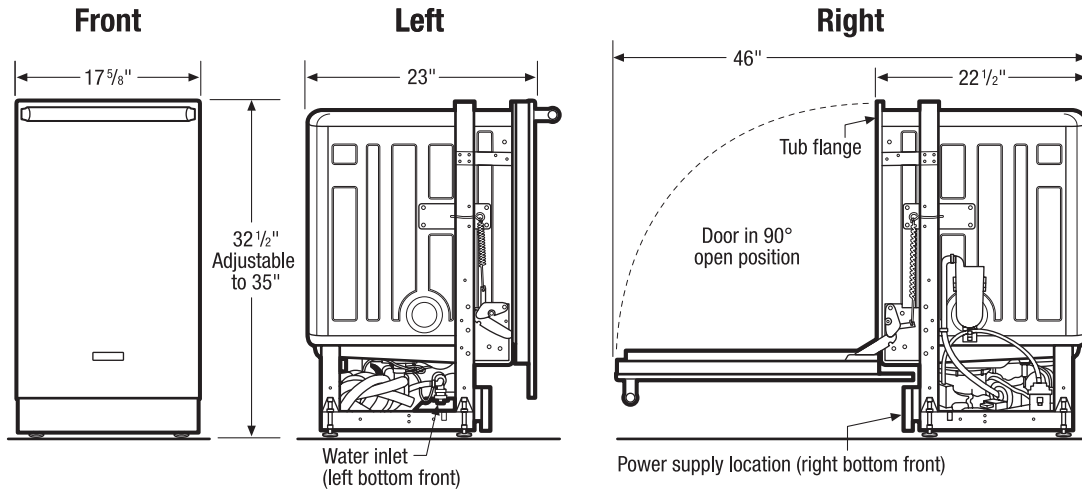
¹For use on adequately wired 120V, dedicated circuit having 2-wire service with a separate ground wire. Appliance must be grounded for safe operation.

NOTE: Always consult local and national electric and gas codes. Refer to Product Installation Guide for detailed installation instructions on the web at electroluxappliances.ca.

Specifications subject to change.

²Based on published MSRP and specifications. Available on select models.

³Than the federal minimum standard for energy consumption.



*A.D.A. installation, (32 1/2") beneath 34"-high countertop may be accomplished by adjusting toe-kick and leveling legs.

Built-In Dishwasher Specifications

- Product Weight – 66 Lbs.
- Voltage Rating – 120V/60 Hz/15 Amps (maximum 20 Amps if connected with disposer)
- Connected Load (kW Rating) @120 Volts = 1.44kW (For use on adequately wired 120V, dedicated circuit having 2-wire service with a separate ground wire. Appliance must be grounded for safe operation.)
- Amps @120V = 9 Amps
- Always consult local and national electric & plumbing codes.
- Water Pressure – Hot water line to dishwasher must provide between 15 and 120 pounds per square inch (psi).
- Dishwasher enclosure requires that adjacent cabinets be square and plumb. Unit must be fully enclosed on top, sides and back; and not support any part of enclosure.

- When installing unit adjacent to wall, cabinet or other obstruction that extends beyond front edge of unit, allow 2" minimum clearance between opened door and obstruction.
- Do not install unit beneath cooktop, damage will occur.
- Make sure location has required drain, water and electrical outlets to make proper connections.
- Air gap required if drain is connected to waste tee or disposer lower than 18" above floor. If no air gap required, minimum 32"-high drain loop must be used. Total drain hose length must not exceed 10' to drain outlet.
- Electrical and water supplies should enter enclosure on floor, or through rear or cabinet side walls, as shown in designated shaded area. Hot water line may pass through same hole as electrical cable and drain hose; or through additional 1-1/2" dia. hole designated to accommodate line.
- Water connection located on left side of dishwasher. Install hot water inlet line using no less than 3/8" O.D. copper and extend forward at least 18" from rear wall with hand shut-off valve accessible beneath sink.

Note: For planning purposes only. Refer to Product Installation Guide on the web at electroluxappliances.ca for detailed instructions.