

# Dishwashers

EWDW6505GS

Featuring Wave-Touch® Electronic Controls

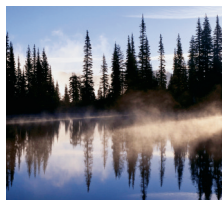


Energy Star® qualified means at least 41% less energy is used.<sup>1</sup>



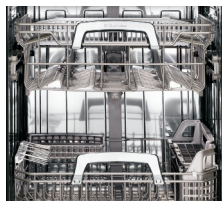
### Wave-Touch® Controls

Features fully integrated Wave-Touch® controls. One simple touch and the control panel activates. Includes 9 wash cycles and 5 dishcare options to make it a most versatile dishwasher.



### Quietest in its Class<sup>1</sup>

So quiet you can run it whenever you want and no one will notice. Tested to 45 dBA sound level.



### Sure-2-Fit® Racking System

The most versatile dishware racking system — there's a perfect place for over 180 items, from chopsticks to stockpots to stemware. There's also an adjustable/removable top rack for the utmost flexibility.



### Largest Usable Capacity

Largest usable capacity<sup>2</sup> in its class so all of your dinner party dishware fits.

### 24" BUILT-IN DISHWASHERS

ENERGY STAR®	Yes
Sabbath Mode (Star-K® Approved for Storage)	Yes

#### Features

Stainless Steel Interior	Yes
Signature Soft-Arc Door and Handle Design	Yes
Luxury-Hold™ Door	Yes
Wave-Touch® Electronic Controls	Yes
Fully Integrated Control Panel	Yes
Tall Tub Design	Yes
Smart Soil™ Sensor	Yes
Luxury-Quiet™ Sound Package	Yes
Wash Levels	5
AquaLux™ Wash System	Yes
Luxury-Dry™ Power Dry System	Yes
Adjustable Rinse Aid Dispenser with Indicator	Yes

#### Cycles

Auto Wash	Yes
Heavy	Yes
Normal	Yes
Favourite	Yes
Quick	Yes
Delicate	Yes
Eco Wash	Yes
Perfect Stemware™	Yes
Rinse Only	Yes

#### Options

Hi-Temp. Wash	Yes
Hi/Low Pressure	Yes
Air Dry	Yes
NSF® Certified Sanitize Option	Yes
Delay Start (Hours)	30 min. – 24 hrs.

#### Rack System

Sure-2-Fit® Nylon Rack System	Yes
Luxury-Glide® Nylon Upper Rack –	
Adjustable Height	Yes
Cup Shelf/Stemware Holder	2/Yes
Cup Clips	4
Perfect Stemware™ Holder	Yes
Fold-Down Tines	4 Rows
Rack Handle	Yes
Versa-Tray™	Yes
Luxury-Glide® Nylon Lower Rack –	
Fold-Down Tines	6 Rows
Rack Handle	Yes
Knife Holder	Yes
Utility Tray/Shelf	Yes
Stemware/Champagne Glass Holders	4
Silverware Basket	3-Piece Split
Special Items Cover/Mesh Basket	Yes

#### Colour / UPC (0-12505-)

Stainless Steel (S)	11042-9
---------------------	---------

#### Specifications

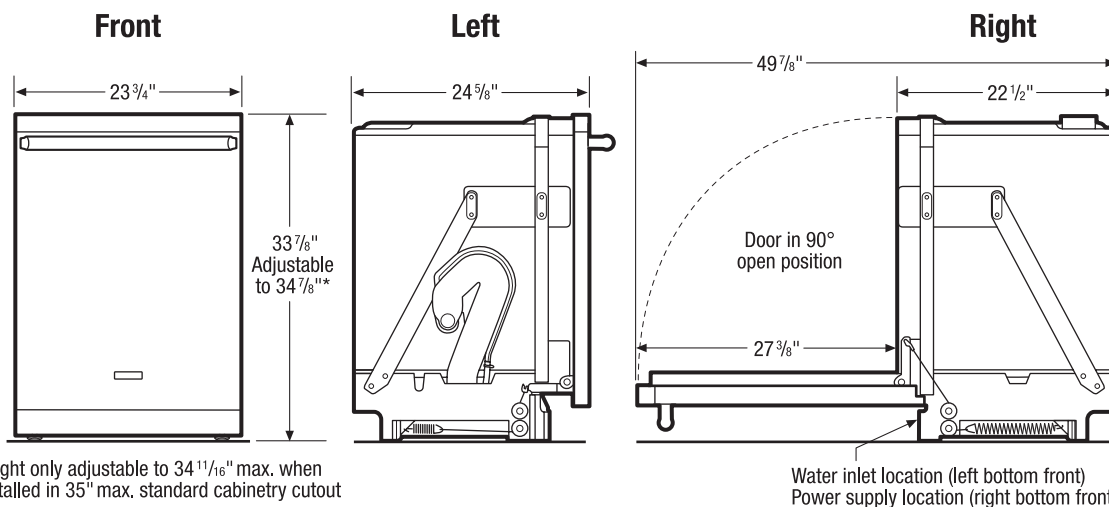
Overall Exterior Dimensions –	
Height (Adjustable)	33-7/8" – 34-7/8"
Width	23-3/4"
Depth (to Center of Arc) (with 90° Door Open)	24-5/8" 49-7/8"
Power Supply Location	Right Bottom Front
Water Inlet Location	Left Bottom Front
Leveling Legs	Yes
Water Usage (Gallons) – Normal Cycle	4.9 – 8.5
Water Pressure (PSI)	15 – 120
Voltage Rating	120V/60Hz/15A
Connected Load (kW Rating) @ 120 Volts <sup>‡</sup>	1.44
Amps @ 120 Volts	9
Product Weight	98 Lbs.
Shipping Weight	115 Lbs.

<sup>‡</sup>For use on adequately wired 120V, dedicated circuit having 2-wire service with a separate ground wire. Appliance must be grounded for safe operation.

NOTE: Always consult local and/or national electric codes. Refer to Product Installation Guide for detailed installation instructions on the web at [www.electroluxappliances.ca](http://www.electroluxappliances.ca). Specifications subject to change.

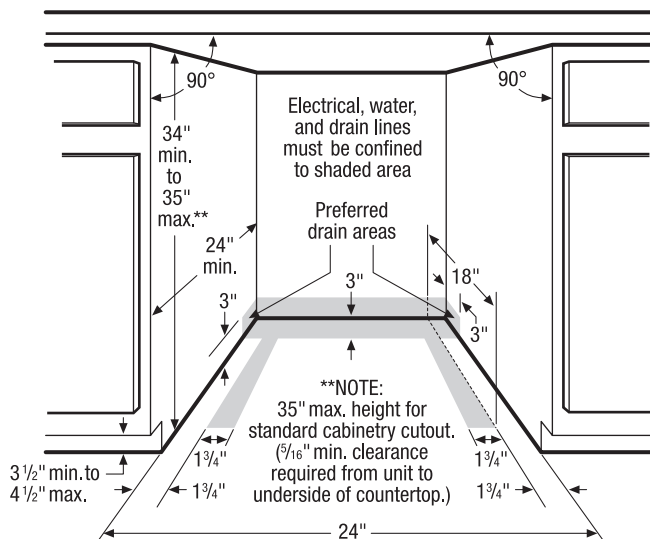
<sup>1</sup>Based on published MSRP and specifications. Available on select models.

<sup>2</sup>As measured by adjusted rack space.



\*Height only adjustable to 34 11/16" max. when installed in 35" max. standard cabinetry cutout

Water inlet location (left bottom front)  
Power supply location (right bottom front)



## Built-In Dishwasher Specifications

- Product Weight – 98 Lbs.
- Voltage Rating – 120V/60Hz/15 Amps
- Connected Load (kW Rating) @ 120 Volts = 1.44kW  
(For use on adequately wired 120V, dedicated circuit having 2-wire service with a separate ground wire. Appliance must be grounded for safe operation.)
- Amps @ 120V = 9 Amps
- Always consult local and/or national electric & plumbing codes.
- Water Pressure – Hot water line to dishwasher must provide between 15 and 120 pounds per square inch (psi).
- Make sure location has right drain, water and electrical outlets to make connections.
- Keep back free of drain, water & electrical supply.
- Electrical and water supplies should enter cabinet opening on floor, or through back or side walls, as shown in shaded areas.

- Connections preferably located toward left side of dishwasher. Do not cross drain, water or electrical lines in front of motor, blower or frame.
- Minimum clearance of 1/4" required from unit to underside of countertop.
- Leveling legs supplied to adjust height. (Note: Height only adjustable to 34-3/4" max. when installed in 35" max. standard cabinetry cutout to allow for 1/4" min. clearance.)
- When installing in corner, allow 2" clearance between opened door and wall, to allow door to open.
- When installing at end of cabinet line, sides must be fully enclosed.
- Do not install unit under a cooktop, damage may occur.

**Note: For planning purposes only. Refer to Product Installation Guide on the web at [electroluxappliances.ca](http://electroluxappliances.ca) or supplied with product for detailed instructions.**



NSF Protocol for Sanitization and Cleaning Performance of Household Spray-Type Dishwashers 1997