

# Front Load Washers

## EWFLS70J SS/IW

Wave-Touch® Electronic Controls Featuring Perfect Steam™



Silver Sands  
EWFLS70J SS



Silver Sands



Island White

Optional Luxury-Glide®  
Touch-2-Open™  
Pedestals Shown in  
Available Colours.



### Largest Capacity Washer<sup>1</sup>

Wash the most in one load with our 5.1 cu. ft. (I.E.C.) washer.



### Fastest Wash Time<sup>2</sup>

Fifteen minutes to wash.



### Specialty Cycles

Clean all your special items including pet beds, stuffed animals, wool and more.



### Cleanest Front Load Wash<sup>3</sup>

Our front load washer offers exclusive technology that gets your clothes the cleanest.

### 27" ELECTRIC FRONT LOAD WASHERS

Capacity I.E.C.	5.1 Cu.Ft.
-----------------	------------

#### Features

Wave-Touch® Electronic Controls with LCD Display	Yes
Perfect Steam™ Wash System	Yes
Perfect Balance® System	Yes
Luxury-Quiet™ Sound System	Yes
Luxury-Design® Lighting	Yes
Touch-2-Open™ / (Close) Door	Yes
Luxury-Glide® Touch-2-Open™ / (Close) Dispenser Drawer	Yes
Full Fabric Stain Removal Guide	Yes
ExpertCare™ Wash System	Yes
Integral Water Heater	Yes
Stainless Steel Wash Drum	Yes
Automatic Temperature Control	Yes
Automatic Water Level Adjustment	Yes
Auto Prewash Detergent Dispenser (Liquid/Powder)	Yes
Auto Bleach Dispenser (Liquid Only)	Yes
Auto Detergent Dispenser (Liquid/Powder)	Yes
Auto Fabric Softener Dispenser (Liquid Only)	Yes
Tumble Speed (RPM)	48-52 Variable
Spin Speed (RPM)	1,400
Reversible Door	Yes
ENERGY STAR® Most Efficient <sup>4</sup>	Yes
NSF® Certified	Sanitize/Allergen

#### Cycles

Fast Wash*, My Favourites (3), Deep Clean Sanitize*, Heavy Duty*, Whites*, Colors*, Normal*, Active Wear*, Casual*, Delicates, Hand Wash, Spin Only (*Can be used with Add Steam option)	14
Specialty Cycles – Jeans, Fast Sanitize, Stuffed Animals*, Pet Beds*, Clean Washer, Steam Prewash*, Kids Wear*, Fast Steam*, Wool (*Can be used with Add Steam option)	9
Individual Custom Options (3) – Additional user settings, each with 11 cycles, 9 Specialty and 3 My Favourites (23)	69
<b>Total Cycles Available</b>	<b>92</b>

#### Options

Wash/Rinse Temperature Combinations	9
Temperature Selections	6
Add Steam	8
Spin Speed Selections	6
Soil Level Selections	6
Delay Start (Hours)	22
End-of-Cycle Chime	Adjustable

#### Installation Options

Freestanding, Under Counter*, Stacked (Under Dryer), Pedestal, Hidden (In Closet), Second Floor	Yes
---	-----

#### Accessories

Luxury-Glide® Touch-2-Open™ / (Close) Pedestal – See Back for Part Numbers	Optional
Dryer Stacking Kit – PN# STACKIT4X	Optional
Drain Hose Extension Kit – PN# 137098000	Optional
Mobile Home Installation Kit – PN# 137067200	Optional

#### Specifications

Colour –	
Silver Sands	SS
Island White	IW
Product Dimensions –	
Height (Without 15" Pedestal / With 15" Pedestal)	38"/53"
Width	27"
Depth (to Center of Arc Not Including Hose) (with 90° Door Open)	31-1/2" 50-5/8"
Power Supply / Water Inlet Location	Top Right Rear / Top Left Rear
Voltage Rating	120V/60Hz/15A
Connected Load (kW Rating) @ 120 Volts <sup>‡</sup>	1.4
Watts @ 120 Volts	1,000
Amps @ 120 Volts	12
Shipping Weight (Approx.)	247 Lbs.

\*Side-by-Side units in under-counter installation require custom-built countertop and/or cabinetry.

<sup>‡</sup>For use on adequately wired 120V, dedicated circuit having 2-wire service with a separate ground wire. Appliance must be grounded for safe operation.

NOTE: Always consult local and national electric & plumbing codes. Refer to Product Installation Guide for detailed installation instructions on the web at [electroluxappliances.ca](http://electroluxappliances.ca).

Specifications subject to change.

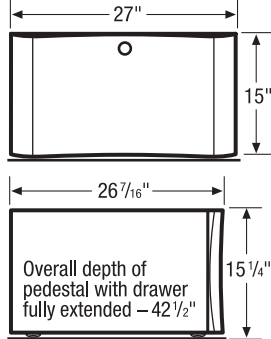
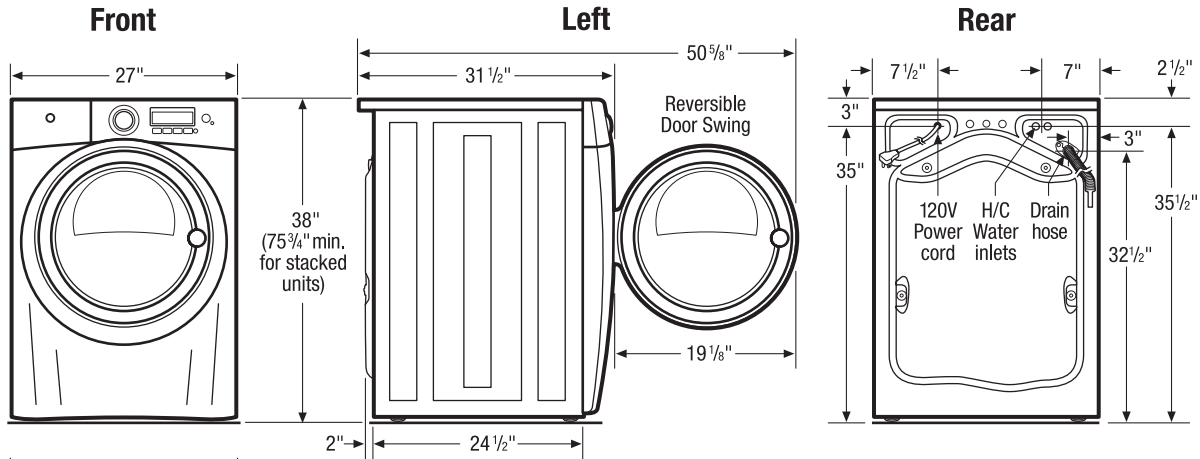
<sup>1</sup>Based on manufacturer's specifications. Volume per I.E.C. Int'l Std. 60456, 4th ed. based on 4.42 cu. ft. D.O.E. measurement.

<sup>2</sup>Fastest time based on smallest load/Fast Wash and Fast Dry cycles selected for various load compositions.

<sup>3</sup>Based on AHAM washability test protocol for leading brand front load washers with normal cycle times less than 60 minutes.

<sup>4</sup>Recognized as the Most Efficient of ENERGY STAR® in 2013.



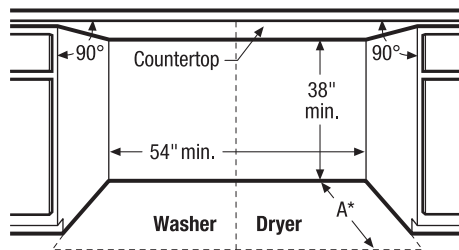


### 15" Pedestal Drawer Installation

Elevates washer height to 53". For detailed pedestal installation, refer to instructions included with pedestal or on web. **Note:** Pedestal Installation requires modified utility hookup locations. For details, refer to Product Installation Guide on web.

### Built-In Installations

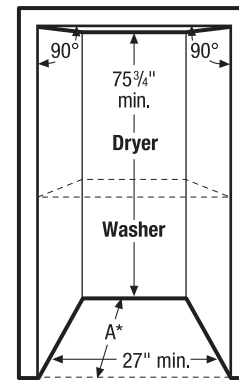
For built-in installations, NO minimum clearance required around sides and backs of units. (*Steam dryers only will require 3/4" steam hose clearance at back of unit.*) For closet installation, allow 1" clearance between fronts of units and door. Location of plumbing, exhaust and utility hookups MUST be considered in built-in installations. For additional installation details, refer to Product Installation Guides on web.



**Side-by-Side Units in Under-Counter Installation**  
Requires custom-built countertop and/or cabinetry.

A - 31 1/2" (with non-steam dryer) / 32 1/4" (with steam dryer)

\* To achieve minimal depth dimensions or clearances, dryer MUST be vented straight back or with quick-turn 90° elbow.



**Stacked Units in Recessed or Closet Installation**

For detailed stacked installation, refer to instructions included with Stacking Kit or on web. **Note:** Stacked installation requires modified utility hookup locations for dryer. For details, refer to Product Installation Guide on web.

### Front Load Washer Specifications

- Product Weight – 237 Lbs.
- An electrical supply with grounded three-prong receptacle is required. The power supply circuit must be installed in accordance with current edition of National Electrical Code (ANSI/NFPA 70) and local codes & ordinances. (*Do not use same circuit as dryer.*)
- Voltage Rating – 120V/60Hz/15 Amps
- Amps @120 Volts = 12 Amps
- Connected Load (kW Rating) @120 Volts = 1.4kW
- Equipped with 120V 3-wire power supply cord, approx. 60" long.
- Always consult local and national electric & plumbing codes.
- To maximize detergent effectiveness, ambient temperature should never be below 60°F.
- Can be installed alone, with or without optional 15" pedestal drawer, or stacked beneath matching Electrolux Dryer, which requires installation of optional dryer stacking kit. (*For installation details, refer to instructions included with optional pedestal or stacking kit or on web.*)
- Can be built in with matching Electrolux Dryer in under-counter, recessed or closet installation. Installations requiring countertop and/or cabinetry will require custom building. (*Refer to Built-In Installations on this page for cutout dimensions. For additional installation details, refer to Product Installation Guide on web.*)
- Closet installation requires vented door with 2 unobstructed louvered openings, minimum 60 sq.in. each, located 3" from top and bottom of door. Full-length 120 sq.in. opening also acceptable. Allow 1" clearance between door and fronts of units.

- Do NOT install in area exposed to dripping water or outdoor weather conditions, or where gasoline or other flammables, including automobiles, are kept or stored.
- Floor MUST be solid with 1" maximum slope. To ensure vibration or movement does not occur, reinforcement of floor may be necessary. Do NOT install on carpeted surface.
- Leveling legs supplied to level washer properly and reduce excessive noise and vibration.
- H/C water faucets MUST be installed within 42" of washer's water inlet and MUST be 3/4" garden hose type, to connect to 48-1/2" inlet hoses.
- Water pressure MUST be between 30 and 120 psi with NOT more than 10 psi pressure difference between hot and cold.
- Drain required with standpipe diameter of 1-1/4" min. and height of 24" min./96" max. above floor, capable of eliminating 17 gallons per minute. Attached 59" drain hose can reach 79"-high standpipe.

**Note: For planning purposes only. Refer to Product Installation Guide on the web at [electroluxappliances.ca](http://electroluxappliances.ca) for detailed instructions.**

### Optional Accessories

- Pedestal Drawers – Silver Sands (PN# EPWD15SS), Island White (PN# EPWD15IW).
- Dryer Stacking Kit – (PN# STACKIT4X).
- Drain Hose Extension Kit – (PN# 137098000).
- Mobile Home Installation Kit – (PN# 137067200).