

Over-the-Range Microwaves

EI30BM5CHS

Featuring IQ-Touch™ Electronic Controls



Sure-2-Fit® Capacity

Our 2.0 cu. ft. extra large microwaves will hold nearly any dish.



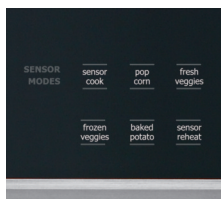
Auto Cook Functions

Cook display prompts you through Quick Meal options and Dinner Recipes.



Three-Speed Fan

Over-the-range microwave doubles as a hood and is capable of moving up to 350 cu. ft. of air per minute. Can be mounted over high-performance cooktops with up to 56,000 BTU of total heat output.



Sensor-Cook Options

Automatically adjust the amount of time needed to complete the cooking.

30" OVER-THE-RANGE MICROWAVES

Oven Cavity	2.0 Cu. Ft.
Watts	1000
Oven Interior	White Enamel
Interior Light	Yes
16" Glass Turntable	Yes

Control Panel Features

IQ-Touch™ Electronic Controls	Yes
Front Display with Blue LED	Yes
Electronic Clock & Timer	Yes
Humidity Sensor	Yes
Power Levels	10
Touch Pad Controls	31
Auto Start	Yes
Auto Defrost Options	6
Auto Cook Options – Quick Meal (4), Dinner Recipes (5)	9
Auto Reheat Options – Fresh Rolls/Muffins (1), Frozen Rolls/Muffins (1), Pasta (1)	3
Beverage (0.5 – 2.0 Cups)	Yes
Sensor-Cook Options – Cook (5), Reheat (1), Popcorn (1), Baked Potato (1), Frozen Vegetables (1), Fresh Vegetables (1)	10
Multi-Stage Cooking Options	4
Shortcut Options	1– 6 Minutes
Add 30 Seconds	Yes
Keep Warm	Yes
Custom Help Options	Yes
Panel Lock	Yes
Demo Mode	Yes
Adjustable Sound Level For Timers/Reminders	Yes
More/Less Function	Yes

Additional Features

Signature Soft-Arc Oven Door and Handle Design	Yes
Glass Window	Yes

Ventilation System

Hood Fan	Yes
Exhaust Duct	Convertible*
Exhaust Fan (350 CFM)	3-Speed
Charcoal Filters (Recirculated Installation)	1
Grease Filters	2

Accessories

Metal Rack	Included
36" Filler Panel Kit Stainless Steel – PN# MWFILKTSS	Optional

Specifications

Oven Cavity Dimensions –	
Height	10-1/16"
Width	22-1/2"
Depth	14-31/32"
Product Dimensions** –	
Height (Including Lower Extrusion)	17-1/16"
Width	29-15/16"
Depth (to Center of Arc - Including Rear Extrusion)	16-7/8"
Power Supply Connection Location	Right Top Rear
Voltage Rating	120V/60Hz/15A
Connected Load (kW Rating) @ 120 Volts†	1.71
Amps @ 120 Volts	14.3
Watts @ 120 Volt Input	1650
Frequency (Mhz)	2450
60" Electrical Cable	Included
Shipping Weight (Approx.)	73 Lbs.

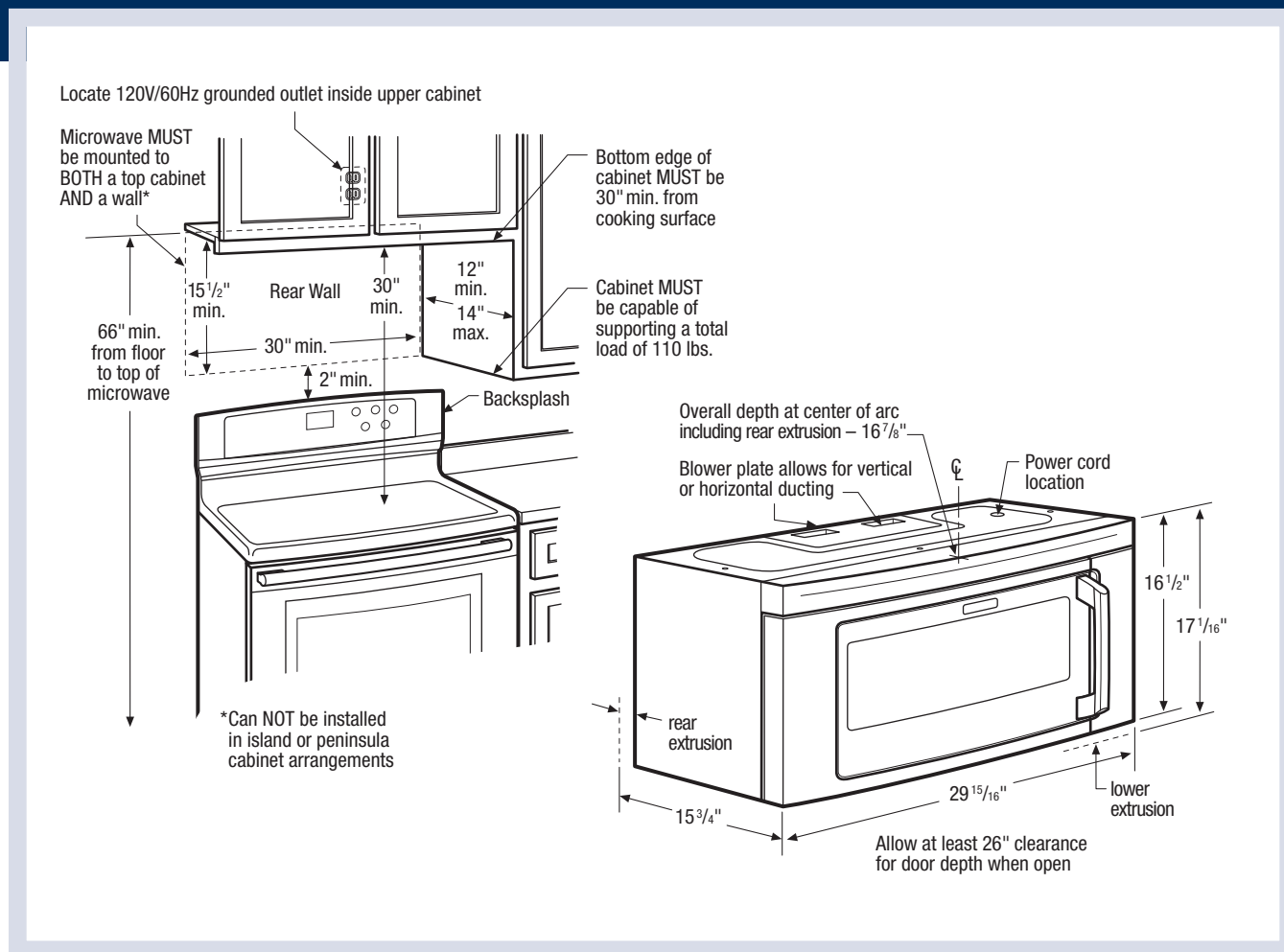
* Ventilation system is preset to recirculate air inside with no ducting. Converting to exterior exhaust is optional.

** Dimensions are preliminary and subject to change.

† For use on adequately wired 120V, dedicated circuit having 2-wire service with a separate ground wire. Appliance must be grounded for safe operation.

NOTE: Always consult local and national electric codes. Refer to Product Installation Guide for detailed installation instructions on the web at electroluxappliances.ca.

Specifications subject to change.



30" Over-the-Range Microwave Specifications

- Product Weight – 61 Lbs.
- Voltage Rating – 120V/60Hz/15 Amps
- Connected Load (kW Rating) @ 120 Volts = 1.71 kW (For use on adequately wired 120V, dedicated circuit having 2-wire service with a separate ground wire. Appliance must be grounded for safe operation.)
- Amps @ 120 Volts = 14.3 Amps
- Always consult local and national electric codes.
- Grounded outlet should be located in cabinet above, with hole in base to route power cord. Carefully follow top template instructions for power cord clearance when installing beneath smooth, flat cabinets.
- Microwave's ventilation system is preset to recirculate air inside with no ducting system required. Exhausting air outside is optional, using either vertical or horizontal ducting system. (Refer to Ducted Option Specifications for outside ventilation.)
- For safe and proper installation, microwave MUST be mounted to BOTH a top cabinet AND a wall, and connected to at least one wall stud. Can NOT be installed in island or peninsula cabinet arrangements.
- Cabinet bottom MUST be level to insure proper installation.
- Cabinet MUST be capable of supporting a total load of 110 lbs.
- Filler blocks recommended for installation when cabinet front hangs below recessed bottom shelf.
- Minimum distance of 30" required from cooking surface to bottom edge of top cabinet.
- Minimum distance of 66" required from floor to top of microwave.
- Opening between cabinets MUST be 30" wide and free of obstructions. For openings up to 36" wide, order optional 36" Filler Panel Kit to fill in gap between unit and cabinets.
- Allow 26" minimum clearance for 90° door swing.

Ducted Option Specifications

- For outside ventilation.
- Exhaust duct adapter will be needed for outside ventilation, to mate with standard 3-1/4" x 10" rectangular duct. If round duct required, rectangular-to-round transition adapter will be needed with no less than 6" diameter.
- For most efficient airflow exhaust, use a straight run or as few elbows as possible with a maximum duct length of 3-1/4" x 10" rectangular or 6" diameter round duct, not to exceed 140 equivalent feet.
- For horizontal installation, be sure to allow enough space between wall studs to accommodate exhaust.
- Refer to installation instructions on web for detailed duct preparation and converting exhaust vent blower system for exterior exhaust ventilation.

Note: For planning purposes only. Refer to Product Installation Guide on the web at electroluxappliances.ca for detailed instructions.

Optional Accessories

- 36" Filler Panel Kits: S – (PN# MWFILKTSS).