

Electrolux



Single Wall Oven

30" Electric Single Wall Oven with Air Fry

ECWS3011AS

Available Colors : Stainless Steel

Version : 12/20

Cooking Controls

Air Fry	Yes
Air Sous Vide	Yes
Bake	Yes
Bread Proof	Yes
Broil	Yes
Cancel	Yes
Convection Bake	Yes
Convection Convert	Yes
Convection Roast	Yes
Cook Time	Yes
Delay Start	Yes
Keep Warm	Yes
Off	Yes
Oven Light	Yes
Preheat	Yes
Probe	Yes
Self Clean	Yes
Set Clock	Yes
Start	Yes
Steam Bake	Yes
Steam Clean	Yes
Steam Roast	Yes
Stop	Yes
Temperature Display	Yes
Timer On / Off	Yes
User Preferences	Yes

Oven

Bake System	Yes
Bake Element Type	Hidden
Bake Element Pass	8
Bake Element	2,200 Watts
Broil System	Yes
Broil Element Pass	6
Broil Element	4,000 Watts

Convection Element	3,400 Watts
Number of Rack Positions	6
Rack Type 1	Handle Bull Nose
Rack Type 1 Quantity	1
Rack Type 2 Quantity	1
Rack Type 3	Air Fry Tray
Rack Type 3 Quantity	1
Oven Interior Color	Midnight Black
Window Type	Large
Oven Light Type	Halogen
Oven Light Quantity	2
Oven Light Watts	25 Watts

Controls

External Control Lock	Yes
Sabbath Mode	Yes
Wi-Fi Enabled	Yes

Display

Display Type	Capacitive Touch
--------------	------------------

Exterior

Handle Color	Stainless Steel
--------------	-----------------

Dimensions and Volume

Height	50 7/16"
Width	30"
Depth	25 5/32"
Depth With Door 90° Open	45 3/4"
Depth With Handle	27 9/32"
Oven Interior Height	18 5/8"
Oven Interior Width	24 1/8"
Oven Interior Depth	19 1/2"
Maximum Cutout Height	28 1/8"
Maximum Cutout Width	29 1/32"
Minimum Cutout Height	27 1/4"

High standards of quality at Electrolux Home Products, Inc. mean we are constantly working to improve our products. We reserve the right to change specifications or discontinue models without notice.

Electrolux Major Appliances, N.A.

USA • 10200 David Taylor Drive • Charlotte, NC 28262 • Charlotte, NC 28262 • 1-877-4electrolux (1-877-435-3287) • electroluxappliances.com

CANADA • 5855 Terry Fox Way • Mississauga, ON L5V 3E4 • 1-800-265-8352 • electroluxappliances.ca

30" Electric Single Wall Oven with Air Fry

ECWS3011AS

Version : 12/20

Minimum Cutout Width	28 1/2"
Oven Capacity	5.1 Cu Ft

Electrical Specifications

Voltage Rating	240 V
----------------	-------

General Specifications

Product Weight	99.75 lbs
Prop 65 Label	Yes
Warranty - Labor	1 Year
Warranty - Parts	1 Year

Safety Certifications & Approvals

UL Listed	Yes
cUL Listed	Yes
RoHS	Yes

High standards of quality at Electrolux Home Products, Inc. mean we are constantly working to improve our products. We reserve the right to change specifications or discontinue models without notice.

Electrolux Major Appliances, N.A.

USA • 10200 David Taylor Drive • Charlotte, NC 28262 • Charlotte, NC 28262 • 1-877-4electrolux (1-877-435-3287) • electroluxappliances.com

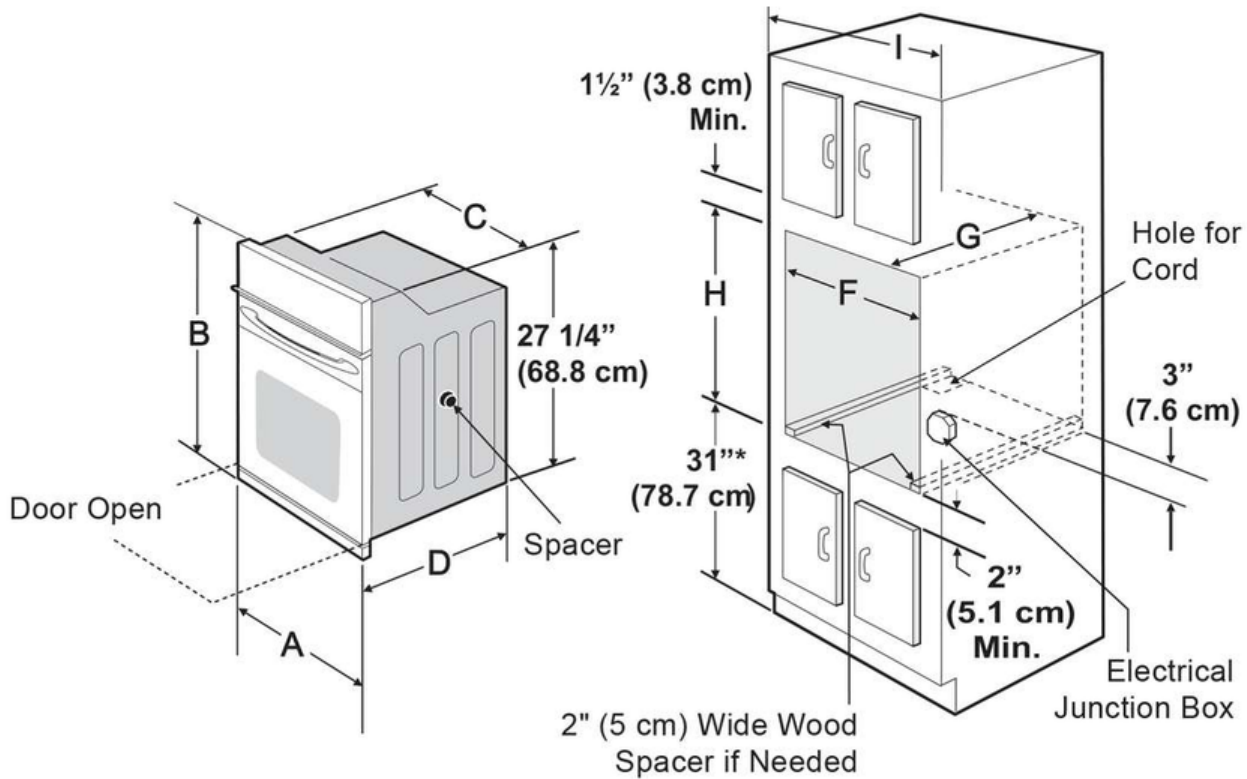
CANADA • 5855 Terry Fox Way • Mississauga, ON L5V 3E4 • 1-800-265-8352 • electroluxappliances.ca

Electrolux

30" Electric Single Wall Oven with Air Fry

ECWS3011AS

Version : 12/20



* Suggested distance from floor is 31" (78.7cm).
Minimum required distance is 4 1/2" (11.4cm).

PRODUCT DIMENSIONS					
A		B	C		D
30 (76.2 cm)		29 ¹ / ₈ (73.9 cm)	28 ¹ / ₄ (71.8 cm)		25 ³ / ₁₆ (63.9 cm)
CUTOUT DIMENSIONS AND CABINET WIDTH					
F		G	H. Standard Height (**Others, see note 3)		I
Min.	Max.	Min.	Min.	Max.	
28 ¹ / ₂ (72.4 cm)	29 (73.7 cm)	24 (61.0 cm)	27 ¹ / ₄ (68.8 cm)	28 ¹ / ₈ (71.4 cm)	30 ¹ / ₈ (76.5 cm) Min

High standards of quality at Electrolux Home Products, Inc. mean we are constantly working to improve our products. We reserve the right to change specifications or discontinue models without notice.

Electrolux Major Appliances, N.A.

USA • 10200 David Taylor Drive • Charlotte, NC 28262 • Charlotte, NC 28262 • 1-877-4electrolux (1-877-435-3287) • electroluxappliances.com

CANADA • 5855 Terry Fox Way • Mississauga, ON L5V 3E4 • 1-800-265-8352 • electroluxappliances.ca