

ELECTRIC COOKTOP INSTALLATION INSTRUCTIONS

Canada



INSTALLATION AND SERVICE MUST BE PERFORMED BY A QUALIFIED INSTALLER.

IMPORTANT: SAVE FOR LOCAL ELECTRICAL INSPECTOR'S USE. READ AND SAVE THESE INSTRUCTIONS FOR FUTURE REFERENCE.

! WARNING FOR YOUR SAFETY: Do not store or use gasoline or other flammable vapors and liquids in the vicinity of this or any other appliance.

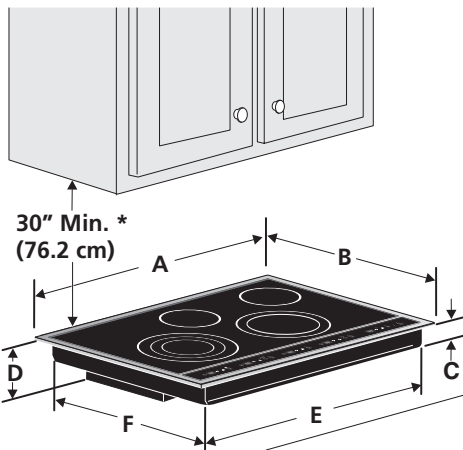
United States



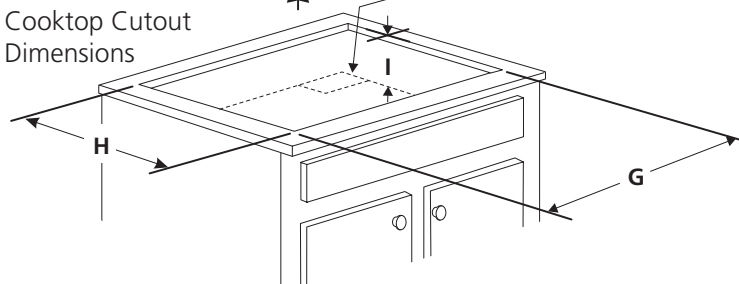
IMPORTANT INSTALLATION INFORMATION

- All electric cooktops run off a single phase, three-wire or four-wire cable, 240/208 volt, 60 hertz, AC only electrical supply with ground.
- Minimum distance between cooktop and overhead cabinetry is 30" (76.2 cm).

Cooktop Dimensions



Cooktop Cutout Dimensions



* 30" (76.2 cm) min. for unprotected cabinet
24" (61 cm) min. for protected surface

IMPORTANT: If a plywood is present in the cabinet under the cooktop, install the deflector supplied under the burner box (see Fig. 1-A) as shown in fig. 1-B and make a 4" X 8" (10.2 cm x 20.3 cm) opening to route armored cable. **Note: Remove the deflector if the cooktop is installed over a wall oven.**

Deflector shipping position

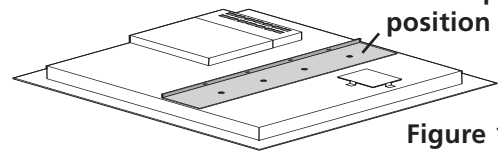


Figure 1-A

Deflector position when a plywood is present in the cabinet

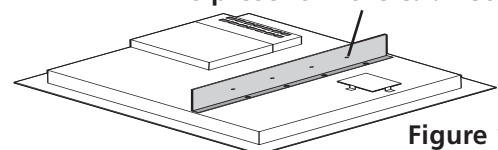


Figure 1-B

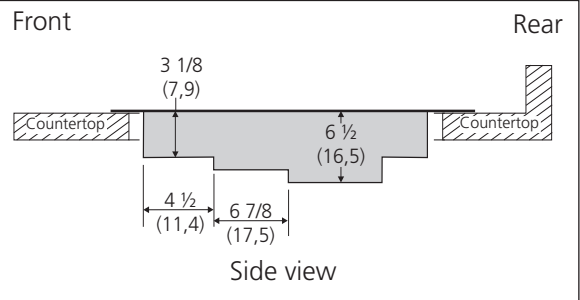


Figure 1

PRODUCT DIMENSIONS						
MODEL	A. WIDTH	B. DEPTH	C. HEIGHT	D. HEIGHT	E. BOX WIDTH	F. BOX DEPTH
30" Ceramic Model	30 3/4 (78.1)	21 3/4 (55.2)	3 1/8 (7.9)	6 1/2 (16.5)	28 1/2 (72.4)	19 1/16 (48.9)
36" Ceramic Model	36 3/4 (93.3)	21 3/4 (55.2)	3 1/8 (7.9)	6 1/2 (16.5)	34 5/8 (87.9)	19 1/16 (48.9)
CUT OUT DIMENSIONS						
MODEL	G. WIDTH		H. DEPTH		I. HEIGHT BELOW COOKTOP	
	MINIMUM	MAXIMUM	MINIMUM	MAXIMUM		
30" Ceramic Model	29 3/4 (75.6)	30 (76.2)	20 3/8 (51.8)	20 1/2 (52.1)	8 1/2 (21.6)	
36" Ceramic Model	36 (91.4)	36 1/4 (92.1)	20 3/8 (51.8)	20 1/2 (52.1)	8 1/2 (21.6)	

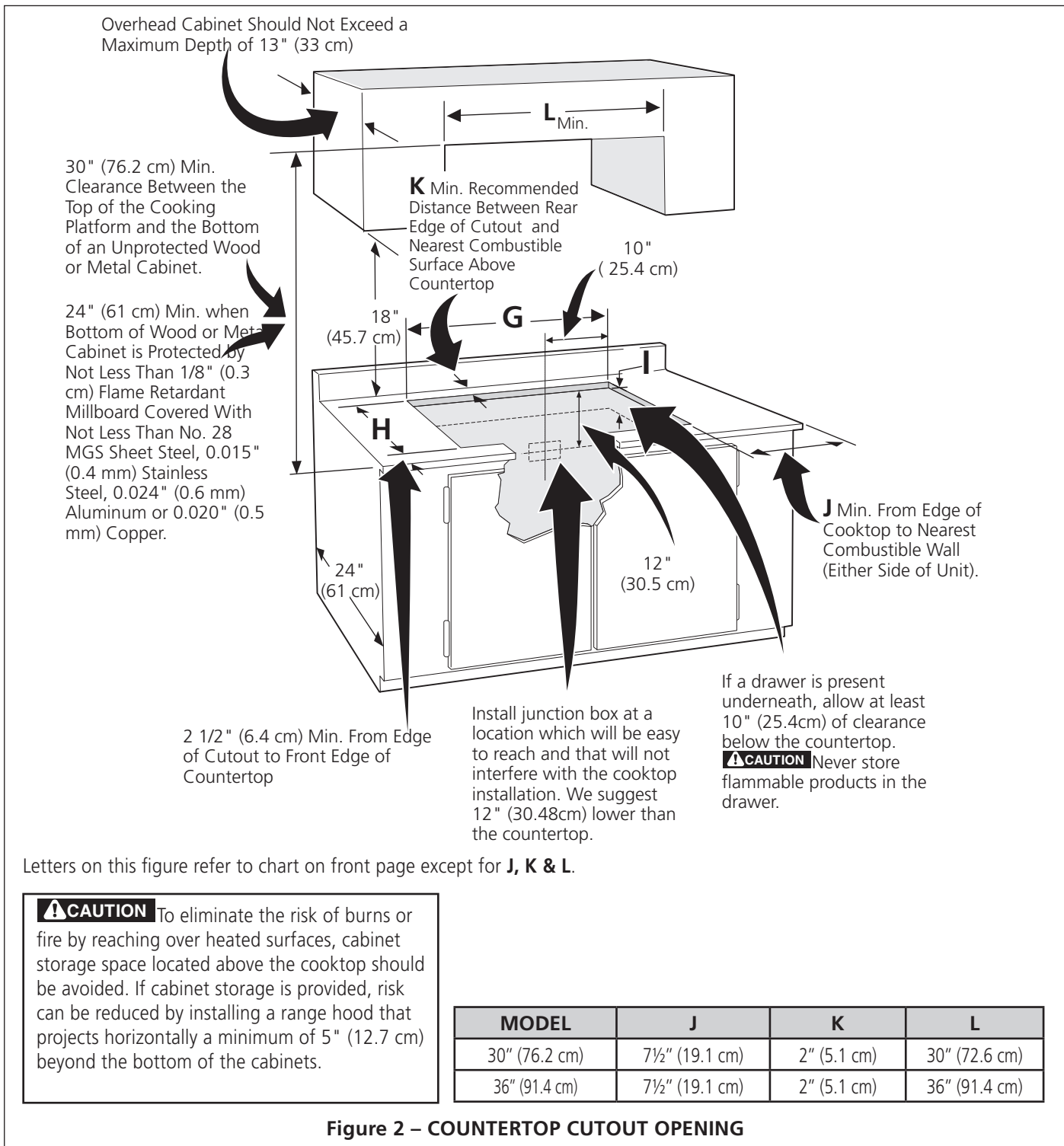
All dimensions are in inches (cm).

Printed in United States

P/N 318201445 (0812) Rev. G

English – pages 1-6; Español – pages 7-12; Français – pages 13-18; Notes – 19-20

ELECTRIC COOKTOP INSTALLATION INSTRUCTIONS



ELECTRIC COOKTOP INSTALLATION INSTRUCTIONS

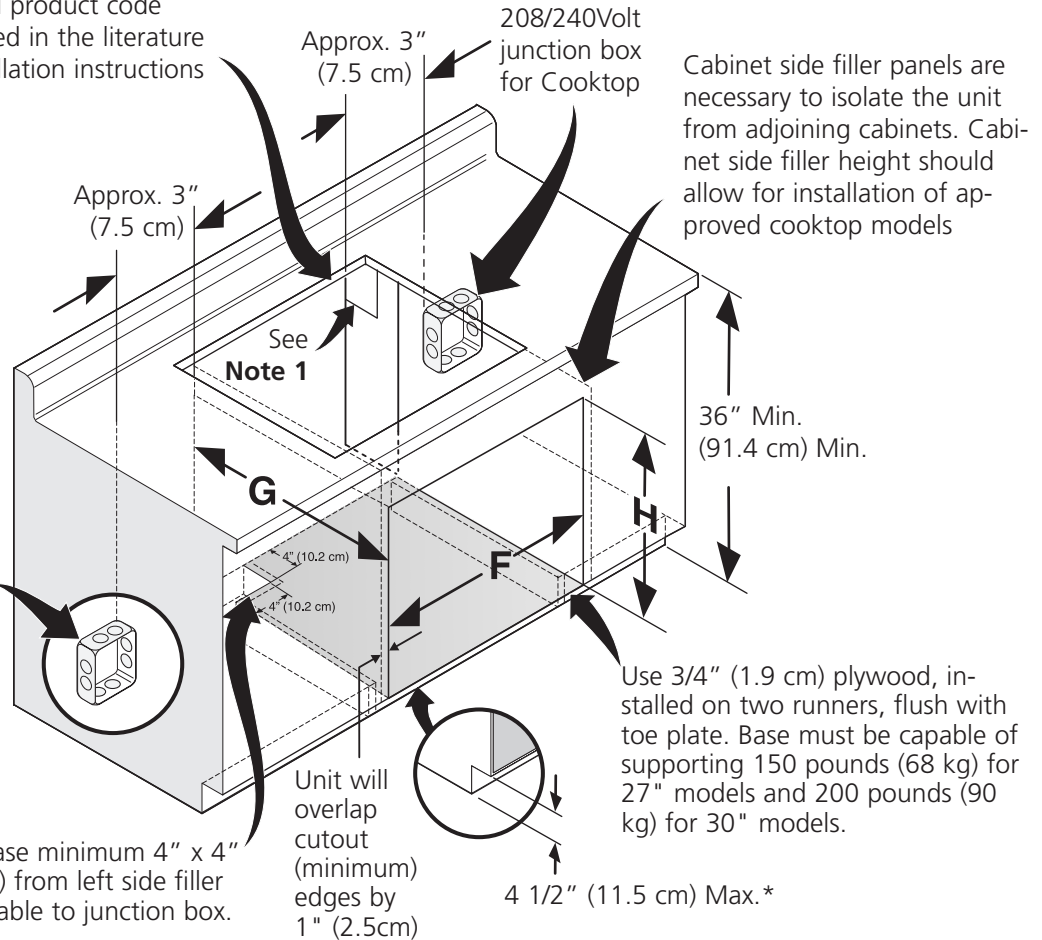
For typical under counter installation of an electric built-in oven with an electric cooktop over

Only certain cooktop models may be installed over certain built-in electric oven models. Approved cooktops and built-in ovens are listed by the MFG ID number and product code (see the insert sheet included in the literature package and cooktop installation instructions for dimensions).

Note 1: 4" x 4" (10.2 X 10.2 cm) opening to route armoured cable from cooktop to junction box.

! WARNING

To reduce the risk of personal injury and tipping of the wall oven, the wall oven must be secured to the cabinet(s) by mounting brackets.



208/240 Volt junction box for built-in oven.

Cut an opening in wood base minimum 4" x 4" (10.2 X 10.2 cm), 2" (5 cm) from left side filler panel, to route armoured cable to junction box.

Unit will overlap cutout (minimum) edges by 1" (2.5cm)

Use 3/4" (1.9 cm) plywood, installed on two runners, flush with toe plate. Base must be capable of supporting 150 pounds (68 kg) for 27" models and 200 pounds (90 kg) for 30" models.

4 1/2" (11.5 cm) Max.*

* If no cooktop is installed directly over the oven unit, 5" (12.7 cm) maximum is allowed above the floor.

CUTOUT DIMENSIONS			
	F. WIDTH	G. DEPTH	H. HEIGHT
27" (68.6 cm) Wall Oven	24 7/8" (63.2 cm) Min. 25 1/4" (64.1 cm) Max.	23 1/2" (59.7 cm)	27 1/4" (69.2 cm) Min. 28 3/4" (71.8 cm) Max.
30" (76.2 cm) Wall Oven	28 1/2" (72.4 cm) Min. 29" (73.7 cm) Max.	23 1/2" (59.7 cm)	27 1/4" (69.2 cm) Min. 28 3/4" (71.8 cm) Max.

TYPICAL UNDER COUNTER INSTALLATION OF A SINGLE ELECTRIC BUILT-IN OVEN WITH AN ELECTRIC COOKTOP MOUNTED ABOVE

ELECTRIC COOKTOP INSTALLATION INSTRUCTIONS

Important Notes to the Installer

1. Read all instructions contained in these installation instructions before installing the cooktop.
2. Remove all packing material before connecting the electrical supply to the cooktop.
3. Observe all governing codes and ordinances.
4. Be sure to leave these instructions with the consumer.

Important Note to the Consumer

Keep these instructions with your Use and Care Guide for future reference.

IMPORTANT SAFETY INSTRUCTIONS

- Be sure your cooktop is installed and grounded properly by a qualified installer or service technician.
- These cooktops must be electrically grounded in accordance with local codes or, in their absence, with the National Electrical Code ANSI/NFPA No. 70—latest edition in the United States, or with CSA Standard C22.1, Canadian Electrical Code, Part 1, in Canada.

⚠WARNING The electrical power to the cooktop must be shut off while line connections are being made. Failure to do so could result in serious injury or death.

Provide Electrical Connection

Install the junction box under the cabinet and run 120/240 or 120/208 Volt, AC wire from the main circuit panel. NOTE: DO NOT connect the wire to the circuit panel at this time. Wait until all wires have been connected in the junction box.

Electrical Requirements

Observe all governing codes and local ordinances.

1. A 3-wire or 4-wire single phase 120/240 or 120/208 Volt, 60 Hz AC only electrical supply is required on a separate circuit fused on both sides of the line (time-delay fuse or circuit breaker is recommended, 40A or 50A). DO NOT fuse neutral.

NOTE: Wire sizes and connections must conform with the fuse size and rating of the appliance in accordance with the National Electrical Code ANSI/NFPA No. 70—latest edition, or with CSA standard C22.1, Canadian Electrical Code, Part 1, and local codes and ordinances.

⚠WARNING An extension cord must not be used with this appliance. Such use may result in a fire, electrical shock, or other personal injury.

2. The appliance should be connected to the fused disconnect (or circuit breaker) box through flexible armored or nonmetallic sheathed cable. The flexible armored cable extending from this appliance should be connected directly to the grounded junction box. The junction box should be located as shown in Figure 3 with as much slack as possible remaining in the cable between the box and the appliance, so it can be moved if servicing is ever necessary.
3. A suitable strain relief must be provided to attach the flexible armored cable to the junction box.

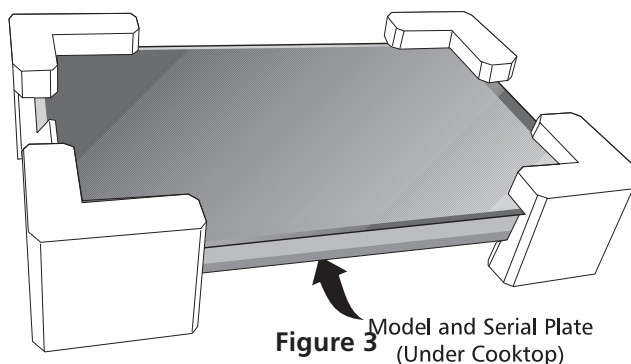
Unpacking Instructions

1. Unpack and visually inspect the cooktop
2. Be sure the bottle of cleaner conditioner packed in the literature bag is left where the user can find it easily. It is important that the ceramic-glass smoothtop be pretreated before use see **Cooktop Cleaning and Maintenance** section in the **Use and Care Guide**.

Model and Serial Number Location

The serial plate is located under the cooktop.

When ordering parts for or making inquiries about your cooktop, always be sure to include the model and serial numbers and a lot number or letter from the serial plate on your cooktop.



ELECTRIC COOKTOP INSTALLATION INSTRUCTIONS

Electrical connection

It is the responsibility and obligation of the consumer to contact a qualified installer to assure that the electrical installation is adequate and is in conformance with the National Electrical Code ANSI/NFPA No. 70-latest edition, or with CSA Standard C22.1, Canadian Electrical Code, Part 1, and local codes and ordinances.

⚠ WARNING Risk of electrical shock (Failure to heed this warning may result in electrocution or other serious injury.) This appliance is equipped with copper lead wire. If connection is made to aluminum house wiring, use only connectors that are approved for joining copper and aluminum wire in accordance with the National Electrical Code and local code and ordinances. When installing connectors having screws which bear directly on the steel and/or aluminum flexible conduit, do not tighten screws sufficiently to damage the flexible conduit. Do not over bend or excessively distort flexible conduit to avoid separation of convolutions en exposure of internal wires.

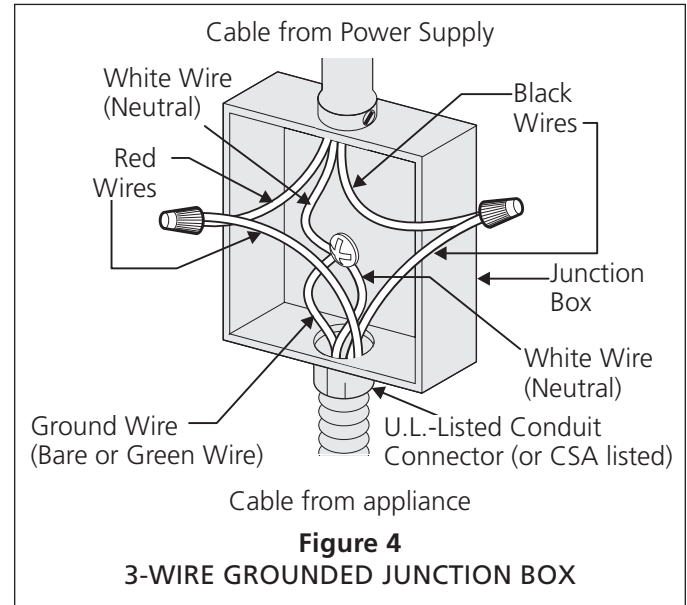
DO NOT ground to a gas supply pipe. DO NOT connect to electrical power supply until appliance is permanently grounded. Connect the ground wire before turning on the power.

⚠ WARNING (If your appliance is equipped with a white neutral conductor.) This appliance is manufactured with a white neutral power supply and a frame connected copper wire. The frame is grounded by connection of grounding lead to neutral lead at the termination of the conduit, if used in USA, in a new branch circuit installation (1996 NEC), mobile home, recreational vehicles, where local code do not permit grounding through the neutral (white) wire or in Canada, disconnect the white and green lead from each other and use ground lead to ground unit in accordance with local codes, connect neutral lead to branch circuit-neutral conductor in usual manner see Figure 5. If your appliance is to be connected to a 3 wire grounded junction box (US only), where local code permit connecting the appliance-grounding conductor to the neutral (white) see Figure 4.

NOTE TO ELECTRICIAN: The armored cable leads supplied with the appliance are UL-recognized for connection to larger gauge household wiring. The insulation of the leads is rated at temperatures much higher than temperature rating of household wiring. The current carrying capacity of the conductor is governed by the temperature rating of the insulation around the wire, rather than the wire gauge alone.

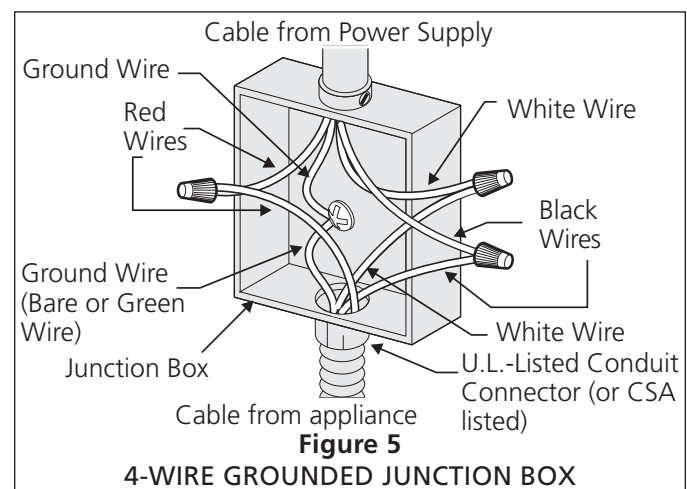
Where local codes permit connecting the appliance-grounding conductor to the neutral (white) wire (US Only) (see figure 4):

1. Disconnect the power supply.
2. In the junction box: connect appliance and power supply cable wires as shown in Figure 4.



If the appliance is used in a new branch circuit installation (1996 NEC), mobile home, recreational vehicle, or where local codes DO NOT permit grounding through the neutral (white) wire, the appliance frame MUST NOT be connected to the neutral wire of the 4-wire electrical system. (see figure 5):

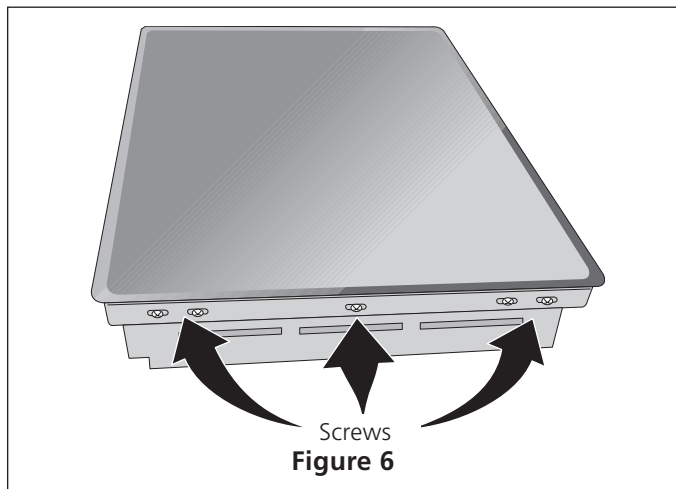
1. Disconnect the power supply.
2. Separate the green (or bare copper) and white appliance cable wires.
3. In the junction box: connect appliance and power supply cable wires as shown in Figure 5.



ELECTRIC COOKTOP INSTALLATION INSTRUCTIONS

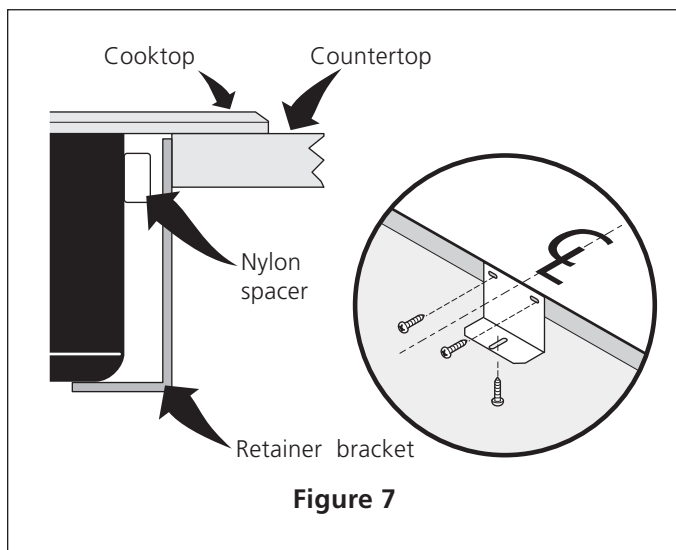
Cooktop Installation

1. Visually inspect the cooktop for damage. Also make sure all cooktop screws are tight (see Figure 6).



2. Install the retainer brackets. See Figure 7

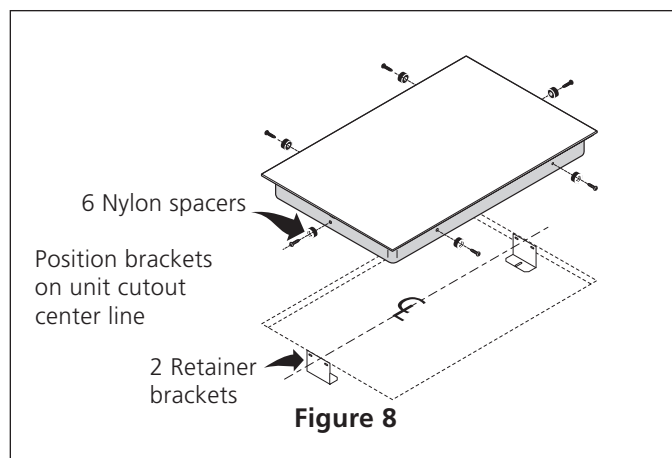
The retainer brackets **MUST** be installed, to meet local codes or, in their absence, with the National Electrical Code ANSI/NFPA No. 70—latest edition in the United States, or with CSA Standard C22.1, Canadian Electrical Code, Part 1 in Canada (see Figure 7).



3. Set the cooktop into the countertop cutout.

NOTE: Do not use caulking compound; cooktop should be removable for service when needed.

⚠ WARNING Do not remove the nylon spacers on the edges of the cooktop. These spacers center the cooktop in the space provided. The cooktop must be centered to prevent excess heat buildup that may result in heat damage or fire (see Figure 8).



Granite countertop Installation Kit

A Granite Countertop Installation kit # 903061-9010 can be ordered through a Service Center or by phone at **1-877-ELECTROLUX (1-877-435-3287)**.

Checking Operation

Refer to the **Use and Care Guide** for operation.

⚠ CAUTION Do not touch cooktop glass or elements. They may be hot enough to burn you.

Model and Serial Number Location

The serial plate is located under the cooktop.

When ordering parts for or making inquiries about your cooktop, always be sure to include the model and serial numbers and a lot number or letter from the serial plate on your cooktop.

Before You Call for Service

Read the Before You Call for Service Checklist and operating instructions in your **Use and Care Guide**. It may save you time and expense. The list includes common occurrences that are not the result of defective workmanship or materials in this appliance.

Refer to your **Use and Care Guide** for service phone numbers.

INSTRUCCIONES PARA LA INSTALACIÓN DE LA ESTUFA ELÉCTRICA

Canadá



LA INSTALACIÓN Y EL SERVICIO DEBEN SER EFECTUADOS POR UN INSTALADOR CALIFICADO.

IMPORTANTE: GUARDE ESTAS INSTRUCCIONES PARA USO DEL INSPECTOR LOCAL DE ELECTRICIDAD.

LEA Y GUARDE ESTAS INSTRUCCIONES PARA REFERENCIA FUTURA.

ADVERTENCIA PARA SU SEGURIDAD: No almacene ni utilice gasolina u otros vapores y líquidos inflamables en la proximidad de este o de cualquier otro artefacto.

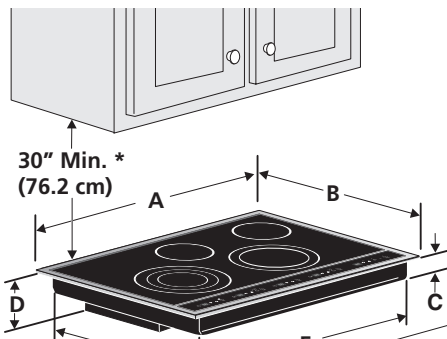
Estados Unidos



INFORMACIÓN IMPORTANTE PARA LA INSTALACIÓN

- Todas las estufas eléctricas funcionan con una alimentación eléctrica con puesta a tierra de fase singular, 3 o 4 alambres, 240/208 voltios, 60 hertz y sólo AC.
- Favor de notar que la distancia mínima entre la superficie de la estufa y los gabinetes adyacentes y por encima son de 30" (76.2 cm).

Dimensiones de la Estufa



Dimensiones del Recortado de la Estufa

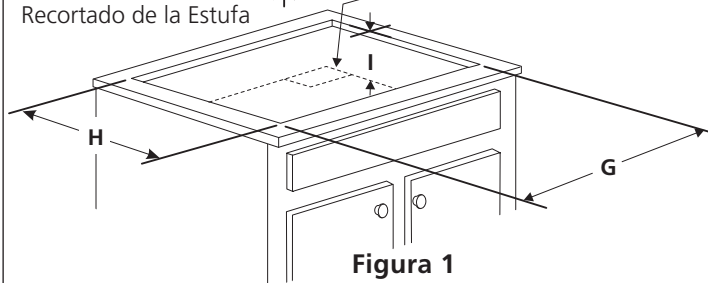


Figura 1

* 30" (76.2 cm) mín. para un gabinete desprotegido.
24" (61 cm) mín. para una superficie protegida.

Posición del deflector de embarque

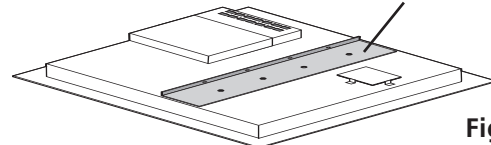


Figura 1-A

Posición del deflector si hay contrachapado dentro del gabinete

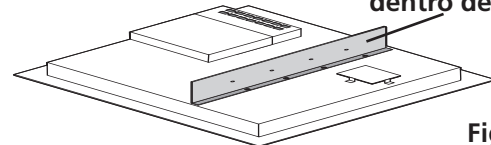
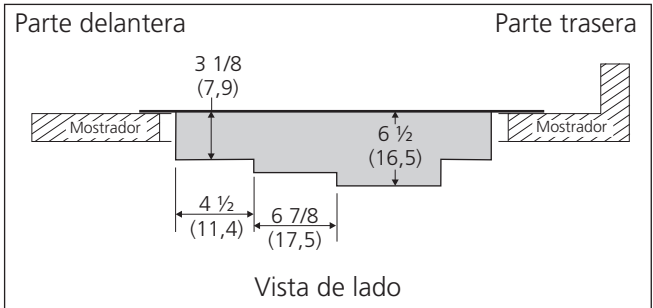


Figura 1-B

IMPORTANTE: Si hay contrachapado dentro del gabinete y debajo de la estufa eléctrica, instalar el deflector provisto debajo de la caja de quemadores (ver Fig. 1-A) como se muestra en la fig. 1-B y hacer una apertura de 10.2cm x 20.3cm (4" X 8") para guiar el cable protegido por ahí. Nota: Quitar el deflector si la estufa eléctrica va a ser instalada sobre un horno de empotrar.



Vista de lado

DIMENSIONES DE LA ESTUFA						
MODELO	A. ANCHURA	B. PROFUNDIDAD	C. ALTURA	D. ALTURA	E. ANCHO DE LA CAJA	F. PROFUNDIDAD DE LA CAJA
Modelo 30"	30 3/4 (78.1)	21 3/4 (55.2)	3 1/8 (7.9)	6 1/2 (16.5)	28 1/2 (72.4)	19 1/16 (48.9)
Modelo 36"	36 3/4 (93.3)	21 3/4 (55.2)	3 1/8 (7.9)	6 1/2 (16.5)	34 5/8 (87.9)	19 1/16 (48.9)
DIMENSIONES DE RECORTADO						
MODELO	G. ANCHURA		H. PROFUNDIDAD		I. ALTURA DEBAJO DE LA ESTUFA	
	MÍNIMA	MÁXIMA	MÍNIMA	MÁXIMA		
Modelo 30"	29 3/4 (75.6)	30 (76.2)	20 3/8 (51.8)	20 1/2 (52.1)	8 1/2 (21.6)	
Modelo 36"	36 (91.4)	36 1/4 (92.1)	20 3/8 (51.8)	20 1/2 (52.1)	8 1/2 (21.6)	

Todas las dimensiones se dan en pulgadas (cm).

Impreso en los Estados Unidos

P/N 318201445 (0812) Rev. G

English – pages 1-6; Español – pages 7-12; Français - pages 13-18; Notas - 19-20

INSTRUCCIONES PARA LA INSTALACIÓN DE LA ESTUFA ELÉCTRICA

El armario superior no debe sobrepasar una profundidad máxima de 13" (33 cm)

30" (76.2 cm) min. de espacio entre la parte superior del fogón y la parte inferior de un armario de madera o metal sin protección.

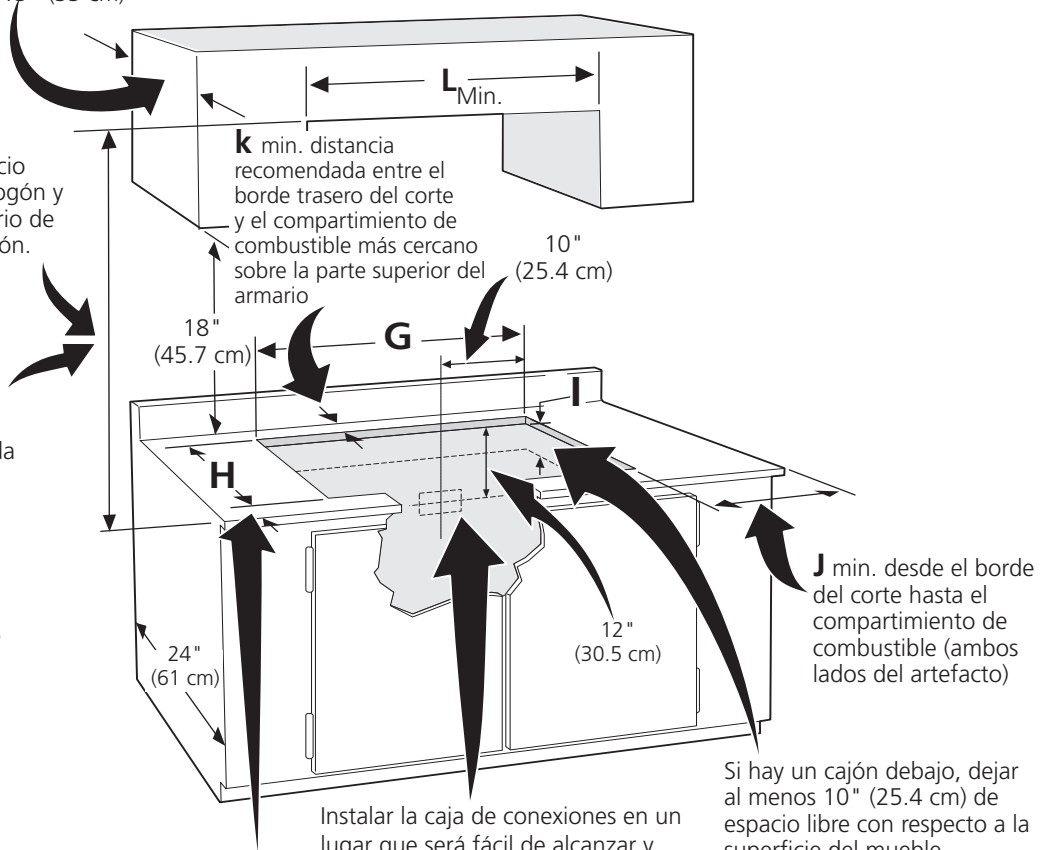
24" (61 cm) min. cuando la parte inferior del armario de madera o metal está protegida por una placa cortafuego retardante de llama de no menos de 1/8" (0.3 cm), cubierta con una lámina de acero msg no inferior al No. 28, de acero inoxidable de 0.015" (0.4 mm), aluminio de 0.024" (0.6 mm) o cobre de 0.020" (0.5 mm).

2 1/2" (6.4 cm) mín. desde el borde delantero del corte hasta el borde delantero de la parte superior del armario

Instalar la caja de conexiones en un lugar que será fácil de alcanzar y que no interfiera con la instalación de la cubierta superior. Sugerimos 12" (30.48 cm) por debajo de la superficie del mueble.

Si hay un cajón debajo, dejar al menos 10" (25.4 cm) de espacio libre con respecto a la superficie del mueble.

PRECAUCION Nunca almacene productos inflamables en el cajón.



Para las dimensiones **G, H** y **I**, véase la tabla en la página 1.

PRECAUCION Para evitar riesgos de quemaduras o incendios al tocar superficies calientes, se deben evitar los armarios sobre la superficie de los quemadores. Si existe un armario, se pueden reducir los riesgos instalando una campana que se extienda horizontalmente en un mínimo de 5" (12.7 cm) por sobre la parte inferior de los armarios.

MODELO	J	K	L
30" (76.2 cm)	7½" (19.1 cm)	2" (5.1 cm)	30" (72.6 cm)
36" (91.4 cm)	7½" (19.1 cm)	2" (5.1 cm)	36" (91.4 cm)

Figura 2 – EL CORTE DE LA PARTE SUPERIOR DEL ARMARIO

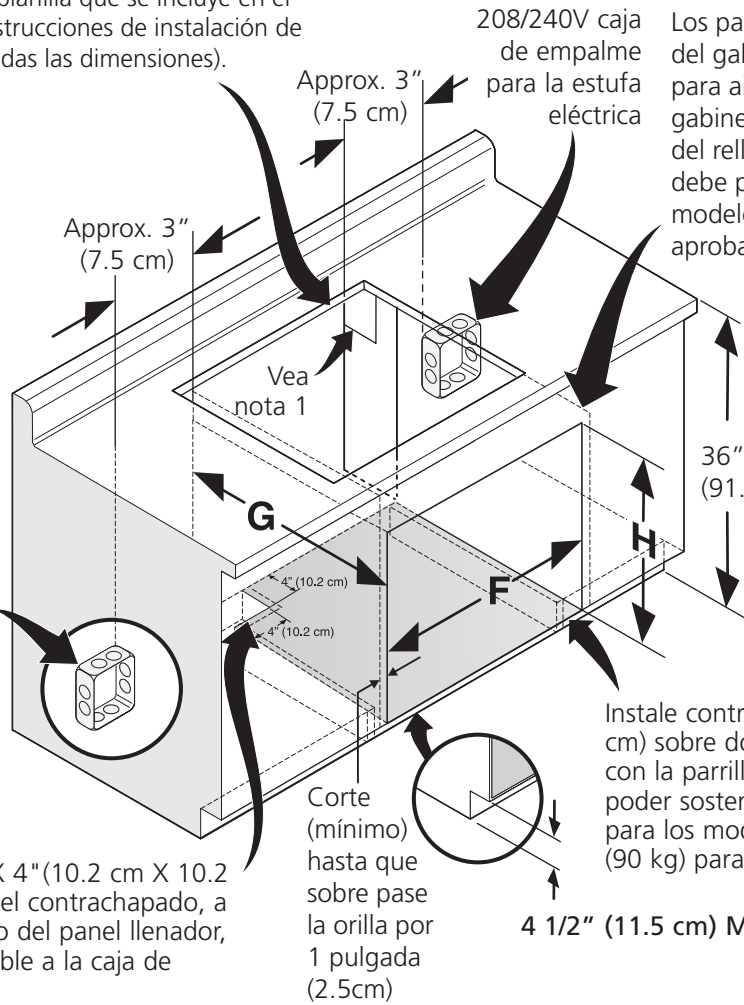
INSTRUCCIONES PARA LA INSTALACIÓN DE LA ESTUFA ELÉCTRICA

Instalación típica para una estufa eléctrica encima de un horno de pared instalado debajo del mostrador

Sólo ciertos modelos de tapas de cocina se pueden instalar sobre ciertos modelos de hornos eléctricos empotrados. Las tapas de cocina y los hornos empotrados se mencionan por su número de identificación MFG ID y código de producto (ver la planilla que se incluye en el paquete de literatura y las instrucciones de instalación de la cocina donde están detalladas las dimensiones).

Nota 1: Apertura de 4" x 4" (10.2 x 10.2 cm) para guiar el cable blindado de la cubierta a la caja de conexiones.

ADVERTENCIA
Para reducir el riesgo de lesiones personales y inclinación del horno de pared, éste debe asegurarse a los gabinetes mediante soportes de montaje.



Los paneles de relleno laterales del gabinete son necesarios para aislar la unidad de los gabinetes adyacentes. La altura del relleno lateral del gabinete debe permitir la instalación de modelos de tapas de cocina aprobados.

208/240 caja de empalme para hornos de pared

Corte una abertura de 4" X 4" (10.2 cm X 10.2 cm) (mínimo) en el fondo del contrachapado, a 2" (5 cm) del lado izquierdo del panel llenador, para poder encaminar el cable a la caja de empalme.

Corte (mínimo) hasta que sobre pase la orilla por 1 pulgada (2.5cm)

Instale contrachapado de 3/4" (1.9 cm) sobre dos correderas, nivelado con la parrilla inferior. La base debe poder sostener 150 libras (68 kg) para los modelos 27" y 200 libras (90 kg) para los modelos 30".

4 1/2" (11.5 cm) Max.*

* Si no se instala ninguna tapa de cocina directamente sobre la unidad del horno, se permite un espacio máximo de 5" (12,7 cm) sobre el piso.

DIMENSIONES DE ABERTURA			
	F. ANCHURA	G. PROFUNDIDAD	H. ALTURA
27" (68.6 cm) Horno de pared	24 7/8" (63.2 cm) Min. 25 1/4" (64.1 cm) Max.	23 1/2" (59.7 cm)	27 1/4" (69.2 cm) Min. 28 1/4" (71.8 cm) Max.
30" (76.2 cm) Horno de pared	28 1/2" (72.4 cm) Min. 29" (73.7 cm) Max.	23 1/2" (59.7 cm)	27 1/4" (69.2 cm) Min. 28 1/4" (71.8 cm) Max.

INSTALACIÓN TÍPICA DEBAJO DE LA MESADA DE HORNO SIMPLE EMPOTRADO CON TAPA DE COCINA MONTADA

INSTRUCCIONES PARA LA INSTALACIÓN DE LA ESTUFA ELÉCTRICA

Notas importantes para el instalador

1. Lea todas las instrucciones contenidas en este manual antes de instalar la estufa.
2. Saque todo el material usado en el embalaje de la estufa antes de conectar el suministro eléctrico a la estufa.
3. Observe todos los códigos y reglamentos pertinentes.
4. Deje estas instrucciones con el consumidor.

Nota importante al consumidor

Conserve estas instrucciones y el Manual del usuario para referencia futura.

INSTRUCCIONES IMPORTANTES DE SEGURIDAD

- **Asegúrese de que su estufa sea instalada y puesta a tierra de forma apropiada por un instalador calificado o por un técnico de servicio.**
- **Esta estufa debe ser eléctricamente puesta a tierra de acuerdo con los códigos locales o, en su ausencia, con el Código Eléctrico Nacional ANSI/NFPA No. 70 – última edición en los Estados Unidos, o el Código Eléctrico Canadiense CSA Standard C22.1, Part 1 en Canadá.**

⚠ ADVERTENCIA La alimentación eléctrica a la estufa debería apagarse mientras se hacen las conexiones de línea. El no harcelo podría resultar en daños serios o la muerte.

Provea conexión eléctrica

Instale la caja de empalmes debajo del armario y provea un cable de 120/240 o 120/208 Voltios, AC al panel de circuitos del aparato. NO conecte la cable al panel de circuitos en este momento. Espere hasta que todos los alambres estén conectados en la caja de empalmes.

Requisitos eléctricos

Cumpla con todos los códigos en vigor y todos los reglamentos locales.

1. Para el suministro eléctrico solamente se necesita corriente con frecuencia de 60 Hz AC y fase única de 120/240 o 120/208 voltios suministrada por cable de 3 o de 4 alambres en un circuito separado con fusibles en ambos lados de la línea (se recomienda un fusible de tiempo retardado o un cortacircuitos, 40A o 50A). NO ponga un fusible en el hilo neutro.

NOTA: El tamaño de los cables y de las conexiones debe de estar en conformidad con el tamaño del fusible y con la capacidad del electrodoméstico y de acuerdo con el Código Eléctrico Nacional ANSI/NFPA No. 70 - última edición y los códigos y reglamentos locales.

⚠ ADVERTENCIA No se debe usar una alargadora para enchufar este electrodoméstico. Esto podría resultar en un incendio, un choque eléctrico u otro tipo de daño personal.

2. Este electrodoméstico debe conectarse a la caja de fusibles (o de cortacircuitos), por medio de un cable blindado flexible o un cable con forro no metálico. El cable blindado flexible que va desde el electrodoméstico debe de estar conectado directamente a la caja de empalme. La caja de empalme debe de estar localizada en el lugar que se indica en la Figura 3, dejando tanto exceso de cable como sea posible entre la caja y el electrodoméstico, de forma que así el electrodoméstico se pueda mover fácilmente, si fuera necesario para hacer una reparación.
3. Se debe de usar un conector que reduzca la tirantez de una forma adecuada para unir el cable blindado flexible a la caja de empalme.

Instrucciones de desembalaje

1. Inspeccione visualmente la tapa de la cocina para ver si está dañada.
2. Asegúrese que la botella de limpiador ubicada en la empaquete de literatura esta situada en un lugar donde puede encontrarse fácilmente. Es importante de tratar de antemano la superficie en vidrio de cerámico antes de utilizar. Ve la parte sobre **Limpieza y Mantenimiento de la Cubierta** en este **Manual del usuario**.

Ubicación del número de modelo y de serie

La placa con el número de modelo y de serie está ubicada en el fondo de la estufa

Cuando haga pedidos de repuestos o solicite información con respecto a su estufa, esté siempre seguro de incluir el número de modelo y de serie y el número o letra del lote de la placa de serie de su horno.

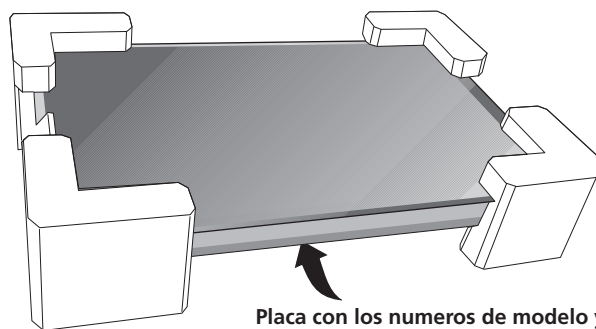


Figura 3

INSTRUCCIONES PARA LA INSTALACIÓN DE LA ESTUFA ELÉCTRICA

Conexión eléctrica

El usuario tiene la responsabilidad personal y obligación de utilizar un instalador calificado, para asegurar que la instalación eléctrica está hecha de forma adecuada y está conforme con el Código Eléctrico Nacional ANSI/NFPA No. 70-última edición en los Estados Unidos, o el Código Eléctrico Canadiense CSA Standard C22.1, Part 1, en Canadá.

⚠ ADVERTENCIA Riesgo de choque eléctrico

(El no prestar atención a esta advertencia puede resultar en electrocución u otras lesiones graves.) Este electrodoméstico está equipado con alambre de cobre. Si se va a conectar con cableado de aluminio del hogar, utilizar únicamente conectores que están aprobados para unir cobre y aluminio de acuerdo al Código Nacional Eléctrico (NEC por sus siglas en inglés) y leyes y códigos locales. Al instalar conectores con tornillos que empujen directamente contra el acero y/o aluminio del conducto flexible, no apretar los tornillos suficientemente que dañen el conducto flexible. No doblar de más o deformar el conducto flexible para evitar separar el espiral y descubrir los alambres internos.

NO conecte el alambre puesto a tierra a una tubería de suministro de gas. NO conecte el suministro de energía eléctrica hasta que el electrodoméstico haya sido permanentemente puesto a tierra. Conecte el alambre de puesto a tierra antes de enchufar por primera vez el electrodoméstico.

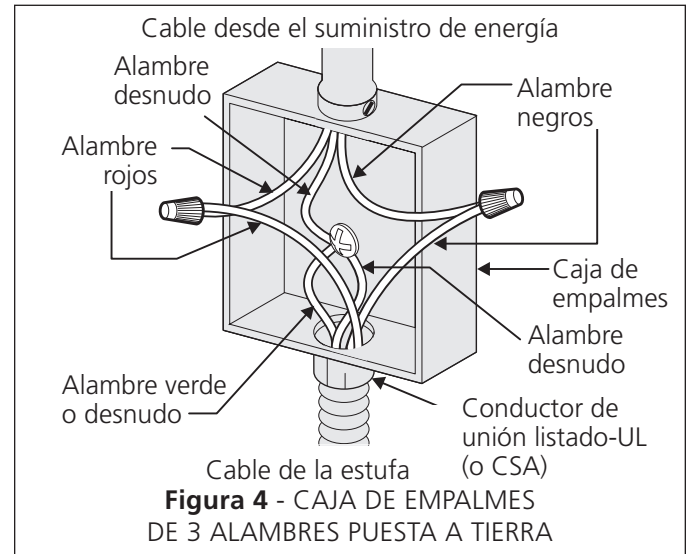
⚠ ADVERTENCIA (Si su electrodoméstico está equipado con un conductor neutro blanco.)

Este electrodoméstico está fabricado con un suministro eléctrico neutro blanco y un alambre de cobre conectado al armazón. El armazón está puesto a tierra por un enlace de la conexión a tierra con la conexión del neutro al final de la línea eléctrica, si es usado en los estados unidos una nueva instalación de circuito de bifurcación (1996 NEC), casa rodante, vehículos recreacionales, o donde los códigos locales no permitan poner a tierra mediante el neutro (blanco) o en Canadá, desconectar la conexión blanca de la verde y utilizar la conexión a tierra para poner a tierra la unidad de acuerdo a los códigos locales, conectar el neutro al circuito de bifurcación-conductor neutro de manera usual. Ver Figura 5. Si su electrodoméstico va a ser conectado a una caja de conexión puesta a tierra de 3 cables (en los estados unidos solamente), donde los códigos locales permitan conectar el conductor de poner a tierra-electrodoméstico con el neutro (blanco) ver Figura 4.

NOTA AL ELECTRICISTA: Los conductores de cable blindados provistos con este artefacto son aprobados por UL para la conexión al alambrado de casa de un calibre mayor. El aislamiento de los conductores está calificado para temperaturas más altas que las del alambrado de la casa. La capacidad de corriente del conductor está gobernada por la calificación de la temperatura del aislamiento alrededor del alambre en vez de solamente el calibre del alambre.

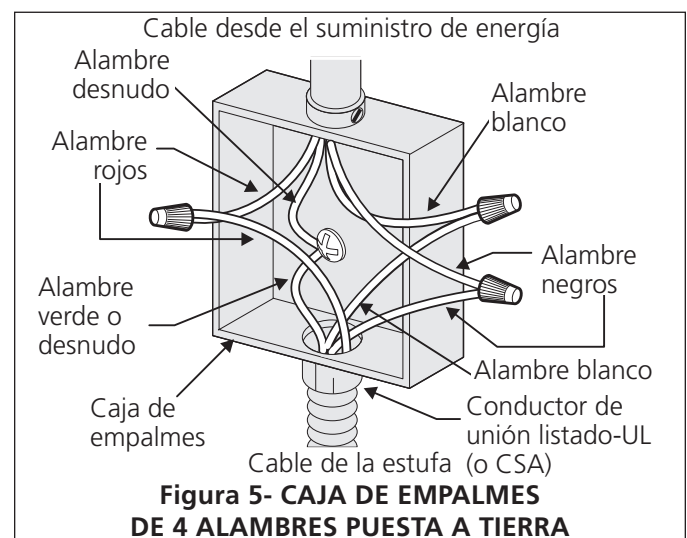
Donde los códigos locales permitan conectar el conductor de puesta a tierra del electrodoméstico al neutro (blanco) (Solamente en los Estados Unidos) (vea figura 4):

1. Desconecte el suministro eléctrico.
2. En el caja de juntas: conectar el aparato y los cables residenciales como se muestra en la figura 4.



Si el aparato se usa en una instalación de circuito de ramal nuevo (1996 NEC), en una casa rodante, en un vehículo para recreación o si los códigos locales NO permiten la conexión a tierra a través del cable neutro (blanco), el armazón del electrodoméstico NO TIENE QUE estar conectado al alambre neutro del sistema eléctrico de 4 alambres. (ver figura 5):

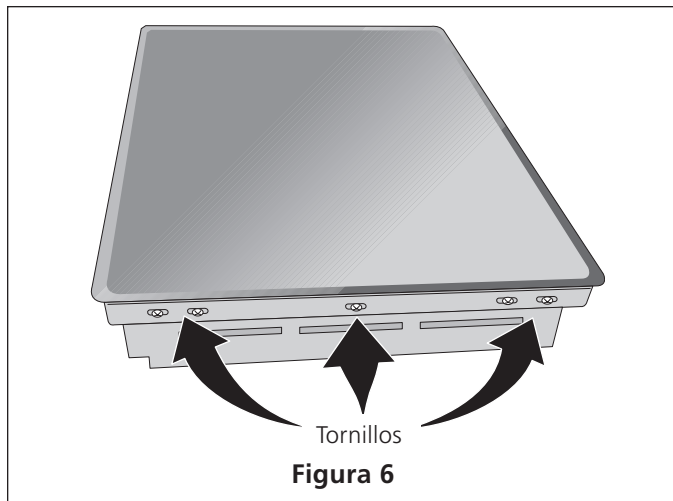
1. Desconecte el suministro eléctrico
2. Separe el alambre verde (o cobre desnudo) y el alambre blanco del electrodoméstico.
3. En el caja de juntas: conectar el aparato y los cables residenciales como se muestra en la figura 5.



INSTRUCCIONES PARA LA INSTALACIÓN DE LA ESTUFA ELÉCTRICA

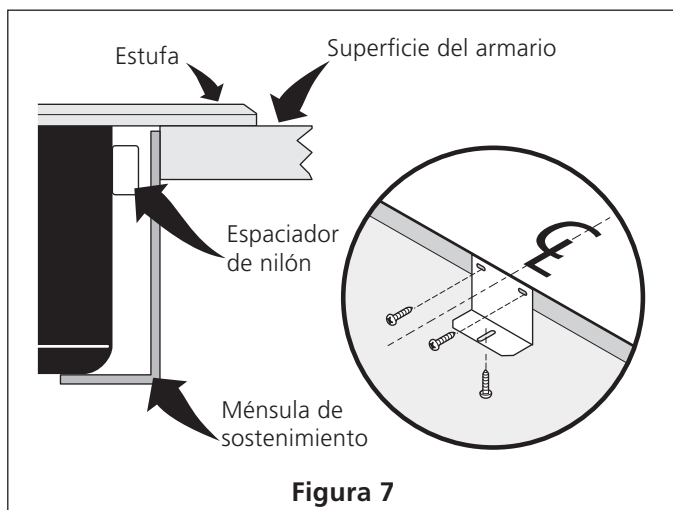
Instalación de la estufa

1. Visualmente inspeccione la estufa para daños. Verifique además que todos los tornillos de la estufa estén bien ajustados (Figura 6).



2. Instale las ménsulas de sostén (ver Figura 7).

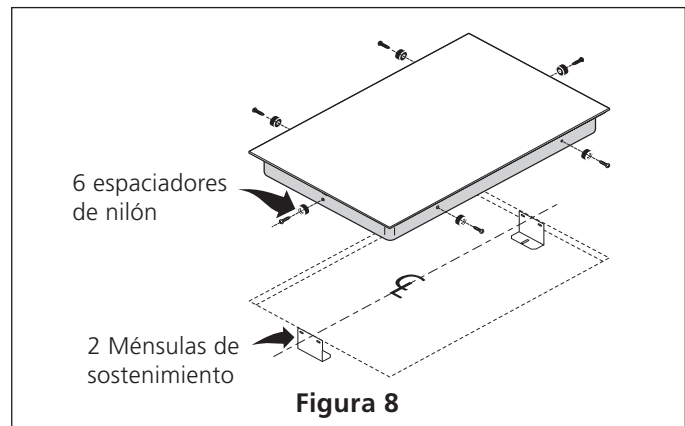
Las ménsulas de sostenimiento TIENEN QUE instalarse, a satisfacción de los códigos locales o, en su ausencia, con el Código Eléctrico Nacional ANSI/NFPA No. 70--última edición, o con la Norma CSA C22.1, Código Eléctrico Canadiense, Parte 1 (Figura 7).



3. Fije la estufa en el recortado del armario.

NOTA: No utilice compuesto de retaque; la estufa debe poder retirarse para las reparaciones cuando sea necesario.

⚠ ADVERTENCIA No quite los espaciadores de nilón en los bordes de la estufa. Estos espaciadores mantienen la estufa en el centro del espacio provisto. La estufa debe estar centrado para evitar una acumulación excesiva de calor que puede resultar en daños por calor o incendio (Figura 8).



El kit de instalación para una cubierta en granito

Un kit de instalación # 903061-9010 para una cubierta de granito se puede pedir a través de un centro de servicio, o al teléfono en **1-877-4ELECTROLUX (1-877-435-3287)**.

Revisión de operación

Consulte el **Manual del Usuario** para las instrucciones de funcionamiento.

⚠ PRECAUCION No toque el cristal o los elementos de la estufa. Puede que estén lo suficiente calientes para quemar.

Ubicación del número de modelo y de serie

La placa con el número de modelo y de serie está ubicada en el fondo de la estufa.

Cuando haga pedidos de repuestos o solicite información con respecto a su estufa, esté siempre seguro de incluir el número de modelo y de serie y el número o letra del lote de la placa de serie de su horno.

Antes de llamar al servicio

Lea la sección Lista de Control de Averías en su **Manual del Usuario**. Esto le podrá ahorrar tiempo y gastos. Esta lista incluye ocurrencias comunes que no son el resultado de defectos de materiales o fabricación de este artefacto.

Lea la garantía y la información sobre el servicio en su Manual del Usuario para obtener el número de teléfono y la dirección del servicio o llamar **1-888-SU-HOGARSM**.

INSTRUCTIONS D'INSTALLATION POUR PLAQUE DE CUISSON ÉLECTRIQUE

Canada



UN INSTALLATEUR QUALIFIÉ DOIT EFFECTUER L'INSTALLATION ET LE SERVICE.

IMPORTANT: CONSERVEZ CES INSTRUCTIONS POUR LES INSPECTEURS LOCAUX. LISEZ CES INSTRUCTIONS ET CONSERVEZ-LES POUR RÉFÉRENCES ULTÉRIEURES.

⚠ AVERTISSEMENT POUR VOTRE SÉCURITÉ: N'entreposez et n'utilisez pas d'essence ou d'autres produits inflammables à proximité de cet appareil ou de tout autre appareil.

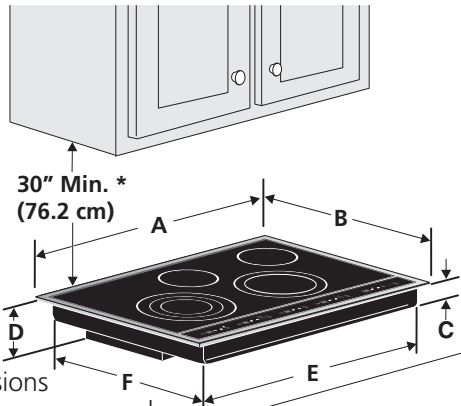
États-Unis



INSTRUCTIONS DE SÉCURITÉ IMPORTANTES

- Toutes les plaques de cuisson électriques fonctionnent avec un câble à 3 ou 4 fils monophasé de 240/208 volts, 60 hertz CA mise à la terre seulement.
- Veuillez prendre note que la distance minimale entre la plaque de cuisson et les armoires adjacentes et en surplomb est de 30" (76.2 cm).

Dimensions de la plaque de cuisson



Dimensions de découpage pour la plaque de cuisson

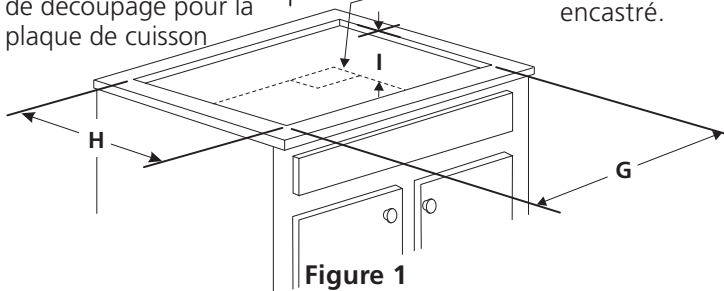


Figure 1

* Minimum de 30" (76.2 cm) pour armoire non protégée.
Minimum de 24" (61 cm) pour surface protégée.

Position du déflecteur lors de l'expédition

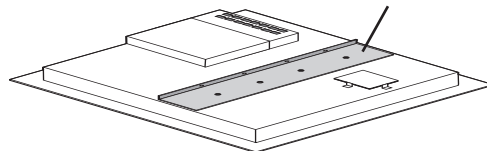


Figure 1-A

Position du déflecteur lorsqu'il y a un panneau de contre-plaqué installé dans le cabinet sous la table de cuisson

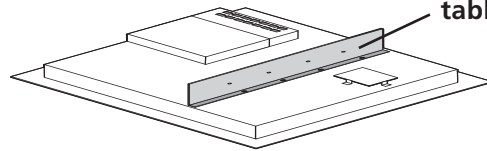
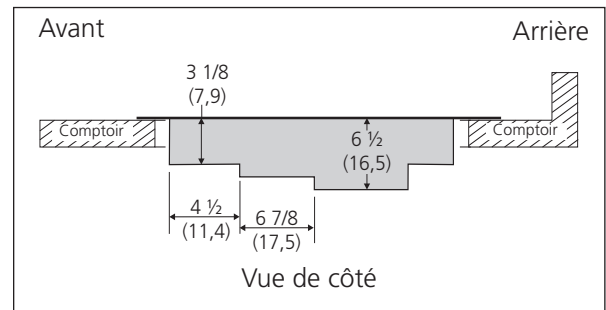


Figure 1-B

IMPORTANT: Si un panneau de contre-plaqué est présent dans le cabinet sous la table de cuisson, installer le déflecteur fourni sous l'appareil (voir Fig. 1-A) tel que montré à la figure 1-B et faire une ouverture de 4" X 8" (10.2 cm x 20.3 cm) permettant de diriger le câble armé vers la boîte de jonction. Note: Enlever le déflecteur si la table de cuisson est installée au-dessus d'un four encastré.



Vue de côté

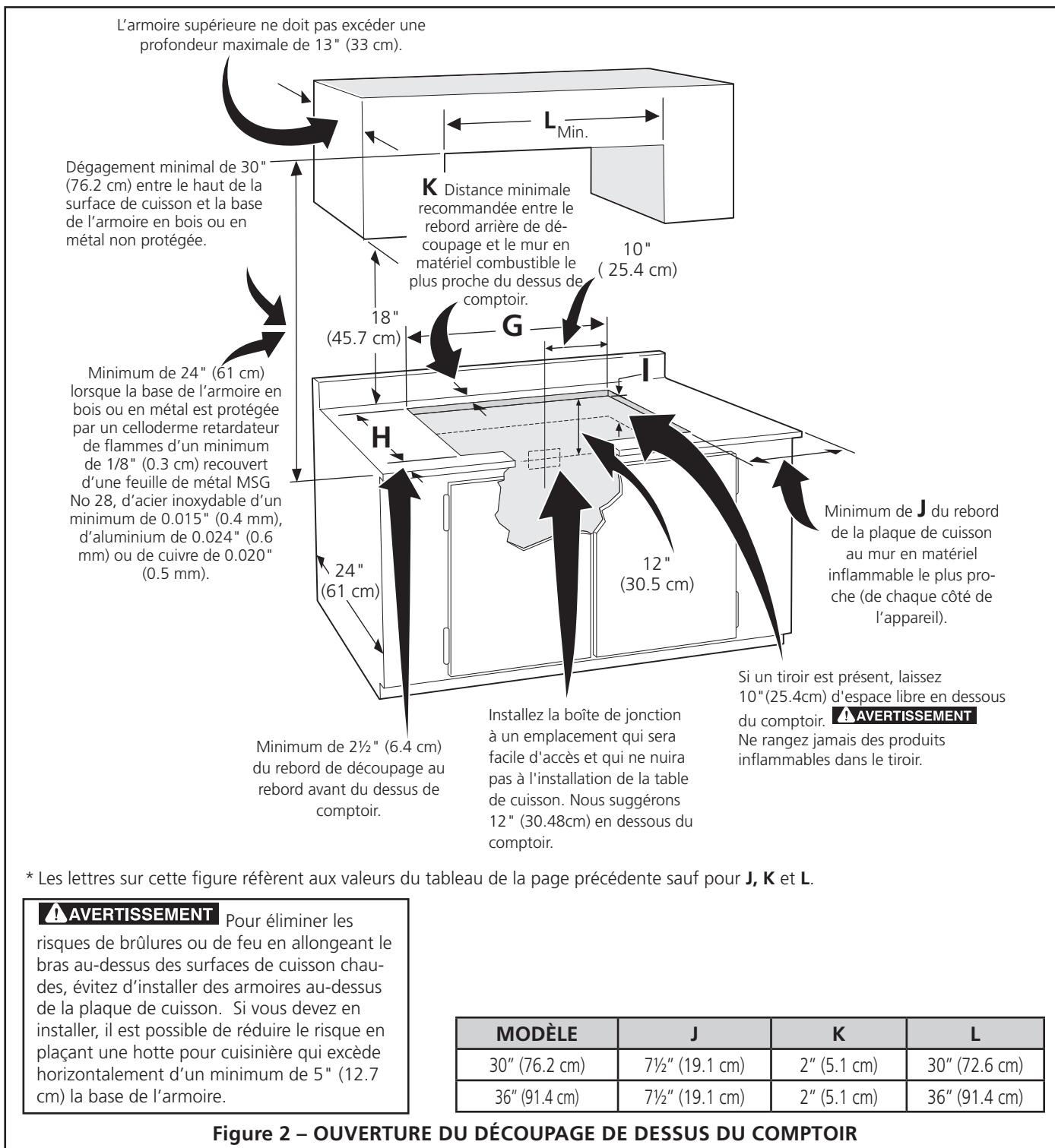
DIMENSIONS DU PRODUIT

Modèles	A. LARGEUR	B. PROFONDEUR	C. HAUTEUR	D. HAUTEUR	E. LARGEUR	F. PROFONDEUR
Modèles 30"	30 3/4 (78.1)	21 3/4 (55.2)	3 1/8 (7.9)	6 1/2 (16.5)	28 1/2 (72.4)	19 1/16 (48.9)
Modèles 36"	36 3/4 (93.3)	21 3/4 (55.2)	3 1/8 (7.9)	6 1/2 (16.5)	34 5/8 (87.9)	19 1/16 (48.9)

DIMENSIONS DE DÉCOUPAGE

Modèles	G. LARGEUR		H. PROFONDEUR		I. HAUTEUR DESSOUS PLAQUE DE CUISSON
	MINIMALE	MAXIMALE	MINIMALE	MAXIMALE	
Modèles 30"	29 3/4 (75.6)	30 (76.2)	20 3/8 (51.8)	20 1/2 (52.1)	8 1/2 (21.6)
Modèles 36"	36 (91.4)	36 1/4 (92.1)	20 3/8 (51.8)	20 1/2 (52.1)	8 1/2 (21.6)

INSTRUCTIONS D'INSTALLATION POUR PLAQUE DE CUISSON ÉLECTRIQUE



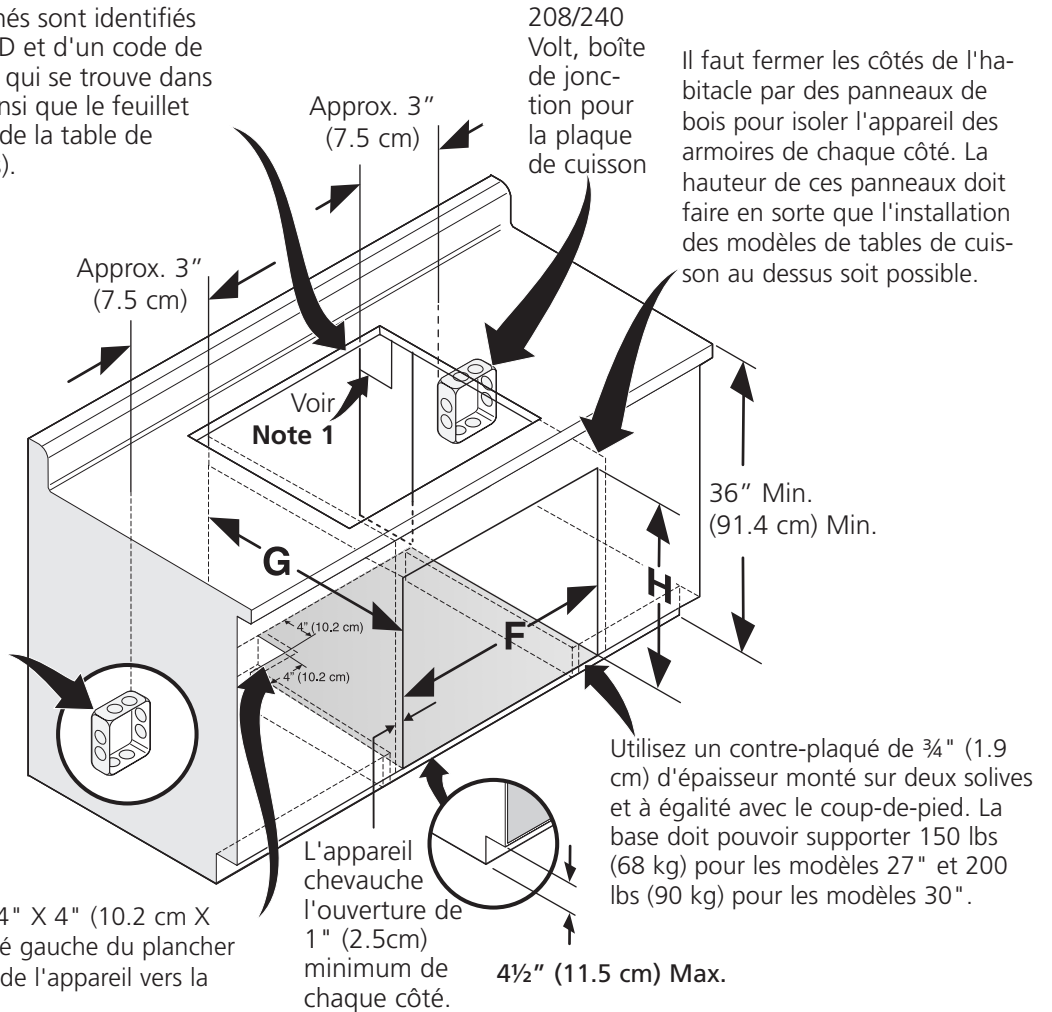
INSTRUCTIONS D'INSTALLATION POUR PLAQUE DE CUISSON ÉLECTRIQUE

Installation typique d'un four encastré électrique sous le comptoir avec une table de cuisson installée au-dessus

Seulement certains modèles de tables de cuisson peuvent être installés au-dessus de certains modèles de fours encastrés. Les modèles approuvés pour être combinés sont identifiés à l'aide d'un numéro MGF ID et d'un code de produit (Consultez la feuille qui se trouve dans l'enveloppe de littérature ainsi que le feuillet d'instructions d'installation de la table de cuisson pour les dimensions).

Note 1: Découpez une ouverture de 4" x 4" (10.2 X 10.2 cm) pour la sortie du câble armé vers la boîte de jonction.

AVERTISSEMENT
Pour réduire les risques de blessures et pour empêcher le four encastré de basculer. Utilisez les supports de fixation pour retenir le four encastré à l'armoire.



Découpez une ouverture de 4" X 4" (10.2 cm X 10.2 cm), à 2" (5 cm) du côté gauche du plancher pour la sortie du câble armé de l'appareil vers la boîte de jonction.

DIMENSIONS DE L'OUVERTURE			
	F. LARGEUR	G. PROFONDEUR	H. HAUTEUR
Four encastré 27" (68.6 cm)	24 7/8" (63.2 cm) Min. 25 1/4" (64.1 cm) Max.	23 1/2" (59.7 cm)	27 1/4" (69.2 cm) Min. 28 1/4" (71.8 cm) Max.
Four encastré 30" (76.2 cm)	28 1/2" (72.4 cm) Min. 29" (73.7 cm) Max.	23 1/2" (59.7 cm)	27 1/4" (69.2 cm) Min. 28 1/4" (71.8 cm) Max.

INSTALLATION TYPIQUE D'UN FOUR ENCASTRÉ SIMPLE SOUS LE COMPTOIR AVEC UNE TABLE DE CUISSON ÉLECTRIQUE OU À GAZ INSTALLÉE PAR-DESSUS

INSTRUCTIONS D'INSTALLATION POUR PLAQUE DE CUISSON ÉLECTRIQUE

Installateur

1. Lisez toutes ces instructions avant de procéder à l'installation de la plaque de cuisson.
2. Enlevez tout le matériel d'emballage avant de procéder au raccordement électrique.
3. Observez tous les codes et règlements applicables.
4. Assurez-vous de laisser ces instructions au consommateur.

Consommateur

Conservez ces instructions avec votre [Guide de l'utilisateur](#) pour références futures.

DIRECTIVES IMPORTANTES DE SÉCURITÉ

- Assurez-vous que votre plaque de cuisson est installée et mise à la terre correctement par un installateur ou un technicien de service qualifié.
- Cette plaque de cuisson doit être mise à la terre conformément aux codes locaux d'électricité ou, en l'absence de codes, en conformité avec le National Electrical Code ANSI/NFPA No. 70, dernière édition aux États Unis, ou avec la norme ACNOR C22.1, Partie 1 au Canada.

AVERTISSEMENT Il faut couper l'alimentation électrique durant le branchement des connexions électriques. A défaut de ce faire il peut en résulter des blessures graves ou la mort.

Connexion électrique

Installez la boîte de jonction sous l'armoire et installez un câble de 120/240 ou 120/208 Volts, AC au panneau de distribution à la plaque de cuisson. Ne branchez pas encore le câble au panneau de circuits.

Exigences électriques

Observez tous les règlements et les codes locaux applicables.

1. Un câble électrique à 4 fils de 120/240 ou 120/208 Volts monophasé, 60 Hz CA est requis sur un circuit séparé muni d'un fusible sur chaque fil conducteur (fusible temporisé ou disjoncteur recommandé, 40A ou 50A). NE RELIEZ PAS de fusible au neutre.

NOTE: Le calibre des fils et leurs connexions doivent être conformes à la capacité des fusibles et à la capacité nominale de l'appareil, selon le National Electrical Code ANSI/NFPA No. 70, dernière édition, ou avec la norme ACNOR C22,1, Partie 1, du Code canadien d'électricité et les codes et les règlements locaux.

AVERTISSEMENT N'utilisez pas de rallonge électrique avec cet appareil. Son utilisation peut causer un feu, un choc électrique ou des blessures corporelles.

2. Il faut brancher l'appareil au panneau de distribution en utilisant des câbles flexibles à gaine métallique ou non métallique. On doit brancher directement à la boîte de jonction le câble gainé flexible de l'appareil. Il faut installer la boîte de jonction tel qu'illustré à la Figure 3 en laissant autant de lâche que possible dans le câble entre la boîte et l'appareil, pour en faciliter le déplacement si l'entretien s'avère nécessaire.
3. Une longueur de câble suffisante doit être prévue pour permettre une connexion du câble gainé flexible à la boîte de jonction.

Instructions de déballage

1. Déballez et inspectez la table de cuisson.
2. Assurez-vous de laisser à vue d'oeil la bouteille de nettoyant conditionneur qui se trouve dans l'enveloppe de littérature. Il est important que la surface vitrocéramique lisse soit prétraitée avant d'être utilisée. Référez-vous à la section **Nettoyage général** dans le **Manuel de l'utilisateur**.

Emplacement des numéros de modèle et de série

La plaque signalétique est située sous la plaque de cuisson.

Pour toute commande de pièces ou demande de renseignements, au sujet de votre plaque de cuisson, assurez-vous de toujours inclure les numéros de modèle et de série, ainsi que le numéro ou la lettre de lot de la plaque signalétique de votre plaque de cuisson.

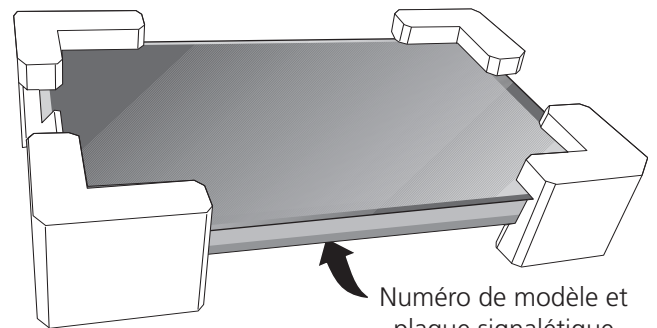


Figure 3

INSTRUCTIONS D'INSTALLATION POUR PLAQUE DE CUISSON ÉLECTRIQUE

Connexions électriques

Le consommateur est responsable et doit communiquer avec un installateur qualifié pour s'assurer que l'installation électrique est adéquate et conforme avec le National Electrical Code ANSI/NFPA No. 70-dernière édition, ou avec la norme ACNOR C22.1, partie 1, du code canadien de l'électricité, et les codes et règlements locaux.

⚠ AVERTISSEMENT **Risque de choc électrique (Si cet avertissement n'est pas pris en considération, un choc électrique ou des blessures sérieuses peuvent survenir). Cet appareil est muni de fils en cuivre. Si ce dernier est branché à circuit résidentiel en aluminium, n'utilisez que des connecteurs qui sont approuvés pour joindre des fils de cuivre à des fils d'aluminium conformément au National Electrical Code et les codes et règlements locaux. Lors de l'installation des connecteurs munis de vis touchant directement l'acier ou l'aluminium de conduit flexible, il ne faut pas serrer celles-ci outre mesure afin d'éviter d'endommager le conduit flexible. Il ne faut ni plier ni tordre outre mesure un conduit flexible de manière à éviter un bris dans la gaine et une exposition des fils ou câbles internes.**

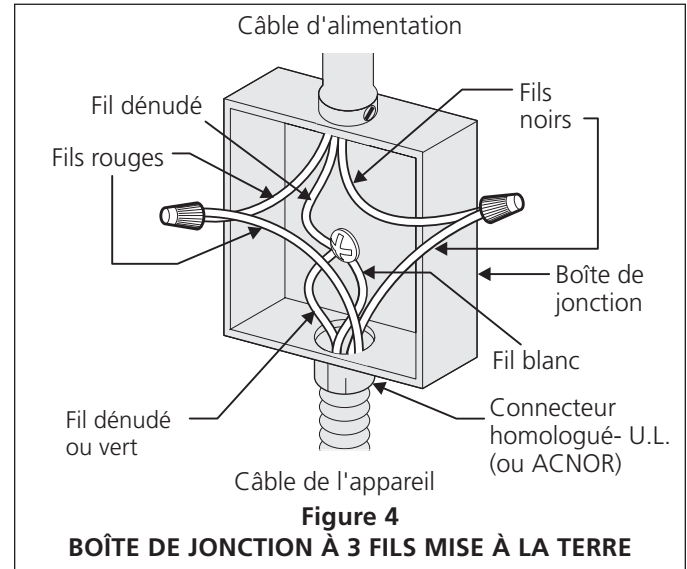
NE connectez pas le fil de mise à la terre à un tuyau d'alimentation de gaz. Ne branchez pas l'appareil au circuit électrique avant qu'il soit mis à la terre correctement, en permanence. Branchez le conducteur de mise à la terre avant de mettre l'appareil sous tension.

⚠ AVERTISSEMENT (Si votre appareil possède un câble muni d'un conducteur blanc neutre.)
Cet appareil est fabriqué avec un câble d'alimentation muni d'un fil blanc neutre et d'un fil de mise à la terre en cuivre branché sur le châssis. Si l'appareil est utilisé, aux États-Unis, dans une maison mobile, un nouveau branchement (1996 NEC), un véhicule récréatif où les codes locaux n'autorisent pas la connexion du conducteur de mise à la terre du châssis au neutre ou au Canada, débranchez les fils blanc et vert des autres et utilisez le fil de mise à la terre pour mettre à la terre l'appareil conformément aux codes locaux, branchez le conducteur neutre de manière habituelle au circuit neutre voir la figure 5. Si l'appareil doit être branché à un câble à 3 fils (aux États-Unis seulement), où les codes locaux permettent la connexion du fil de mise à la terre du châssis au neutre (blanc). Voir la figure 4.

ÉLECTRICIEN: Le câble gainé fourni avec cet appareil est homologué par UL pour connexion à des circuits résidentiels de fils de calibre supérieur. La capacité thermique de l'isolant des câbles excède considérablement celle des circuits résidentiels. La transmission du courant électrique maximum permise des fils du câble est en fonction de la capacité thermique de la gaine plutôt que du calibre du fil.

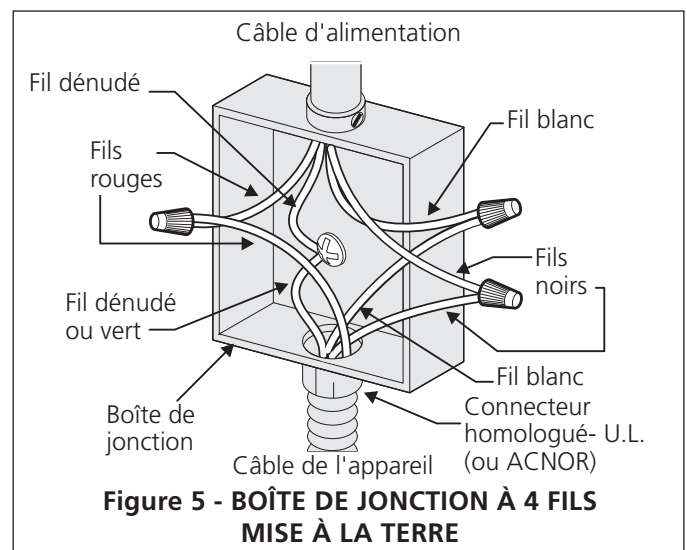
Si les codes locaux permettent la connexion du fil de mise à la terre du châssis au neutre (blanc) (aux États-Unis seulement) (voir figure 4):

1. Coupez l'alimentation à la boîte de jonction.
2. Dans la boîte de jonction:
Raccordez les fils de l'appareil à ceux du circuit électrique tel que montré à la figure 4.



Si l'appareil est utilisé dans une maison mobile, un nouveau branchement (1996 NEC), un véhicule récréatif ou si les codes locaux N'AUTORISENT PAS la connexion du conducteur de mise à la terre du châssis au neutre, le châssis de l'appareil NE DOIT PAS être branché au fil neutre du câble à 4 fils. (voir le figure 5):

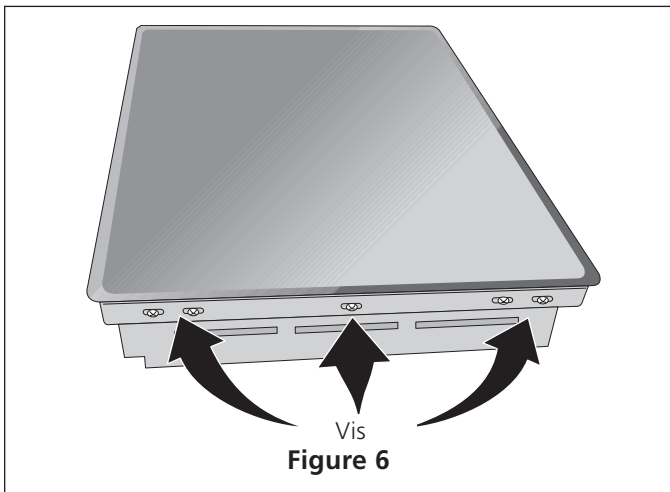
1. Coupez l'alimentation à la boîte de jonction.
2. Séparez le fil blanc du fil dénudé en cuivre de mise à la terre du câble d'alimentation de l'appareil.
3. Dans la boîte de jonction:
Raccordez les fils de l'appareil à ceux du circuit électrique tel que montré à la figure 5.



INSTRUCTIONS D'INSTALLATION POUR PLAQUE DE CUISSON ÉLECTRIQUE

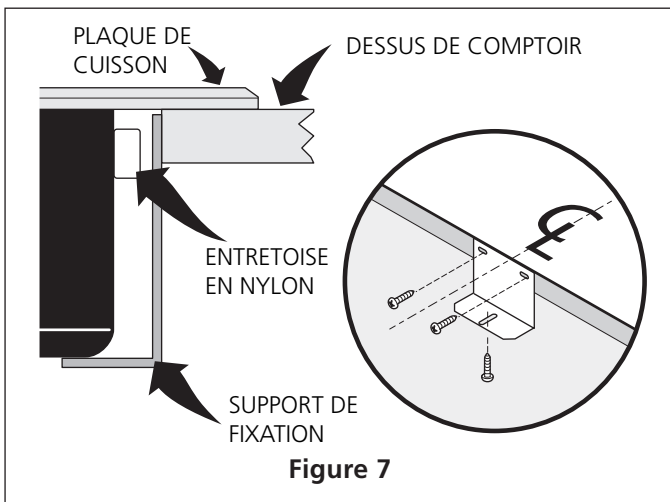
Installation de la plaque de cuisson

1. Vérifiez si la plaque de cuisson est endommagée. Veuillez également à ce que toutes les vis de la plaque de cuisson soient bien serrées (Figure 6).



2. Installer les supports de fixation (voir figure 7).

Les supports de fixation **DOIVENT** être installés conformément aux codes locaux ou, en leurs absences, en conformité avec le National Electrical Code ANSI/NFPA No. 70-Dernière édition ou avec la norme CSA - C22.1, code électrique canadien, partie 1 (Figure 7).



3. Insérez l'appareil dans la découpe de dessus de comptoir.

NOTE: N'utilisez pas de pâte à calfeutrage; on doit pouvoir déplacer l'appareil si l'entretien s'avère nécessaire.

AVERTISSEMENT N'enlevez pas les entretoises en nylon sur les rebords de l'appareil. Ces entretoises centrent l'appareil dans l'espace fourni à cet effet. L'appareil doit être centrée pour empêcher l'accumulation d'excès de chaleur pouvant entraîner des dommages par la chaleur ou le feu (voir Figure 8).

Centrer les supports sur la ligne centrale de l'ouverture du comptoir.

6 entretoises de nylon

2 supports de fixation

Figure 8

Installation sur un comptoir de granite

Le kit pour l'installation sur un comptoir de granite #903061-9010 peut être commandé en passant par votre centre de service ou en téléphonant au **1-877-ELECTROLUX (1-877-435-3287)**.

Vérification de fonctionnement

Référez-vous au **Manuel d'utilisation** pour le mode de fonctionnement.

AVERTISSEMENT Ne touchez pas à la vitre de l'appareil ou aux éléments. Ils peuvent être suffisamment chauds pour causer des brûlures.

Emplacement des numéros de modèle et de série

La plaque signalétique est située sous la plaque de cuisson.

Pour toute commande de pièces ou demande de renseignements, au sujet de votre plaque de cuisson, assurez-vous de toujours inclure les numéros de modèle et de série, ainsi que le numéro ou la lettre du lot de votre plaque de cuisson.

Avant d'appeler le service d'entretien

Consultez la liste des vérifications préventives et les instructions d'opération dans votre **Manuel d'utilisation**. Vous sauvez probablement du temps et de l'argent. La liste contient les incidents ordinaires ne résultant pas de défauts dans le matériel ou la fabrication de cet appareil.

Référez-vous au **Manuel d'utilisation** pour les numéros de téléphone du service.

INSTRUCTIONS D'INSTALLATION POUR PLAQUE DE CUISSON ÉLECTRIQUE

Notes / Notas

INSTRUCTIONS D'INSTALLATION POUR PLAQUE DE CUISSON ÉLECTRIQUE

Notes / Notas