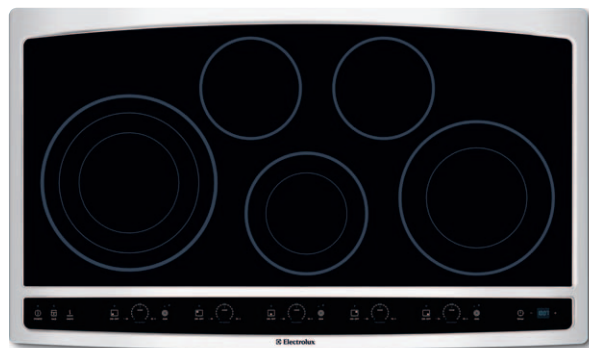


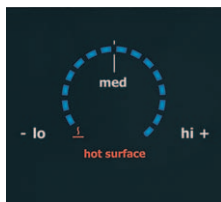
Electric Cooktops

EW36EC55G S, EW36EC55G W, EW36EC55G B



Flex-2-Fit® Elements

Elements adjust up to three sizes, so the element fits the cookware, not the other way around.



Glide-2-Set® Control Panel

Heat is controlled by just the touch of a finger, resulting in a clean look uncluttered by knobs or dials. These controls are intuitive, precise and very stylish.



Easy-to-Clean Cooktop Surface

Smooth glass cooktop makes cleanup a breeze.



Perfect Over A Wall Oven

Mounts above a single wall oven for additional installation options.

36" ELECTRIC TOUCH-CONTROL COOKTOPS

Features

Slide-2-Set® Electronic Touch Controls	Yes
Ceramic Smoothtop Glass Surface	Yes
6" to 9" to 12" Triple Expandable Element – 1000W/2000W/2700W	1
6" to 9" Dual Expandable Element – 1600W/3000W	1
5" to 7" Dual Expandable Element – 750W/1800W	1
6" Electric Element – 1200W	2
Hot Surface Indicator Lights	Yes
Sealed Spill Control Cooktop	Yes
Sabbath Mode (Star-K® Certified)	Yes
A.D.A. Compliant*	Yes

Accessories

Granite Countertop Installation Kit – PN# 903061-9010	Optional
Cleaning Sponge	Included
Griddle Plate – PN# 318251611	Optional

Specifications

Color –	
Stainless Steel	S
White	W
Black	B
Product Dimensions –	
Width	36-3/4"
Depth	21-3/4"
Height (Extreme Bottom to Underside of Cooktop)	7"
Power Supply Connection Location	Right Center Rear
Connected Load (kW Rating) @ 240/208 Volts	10.2/7.7
Amps @ 240/208 Volts	42.5/37.0
Minimum Circuit Required (Amps)	40
Electrical – Single phase 4-wire cable, 120/240 Volts or 120/208 Volts, 60 Hz, fused on both sides of line with ground.	Required
Armored Electrical Cable	Included
Approved for Single Oven Combination Installation**	Yes
Approved for Downdraft Combination Installation**	Yes
Shipping Weight (Approx.)	66 Lbs.

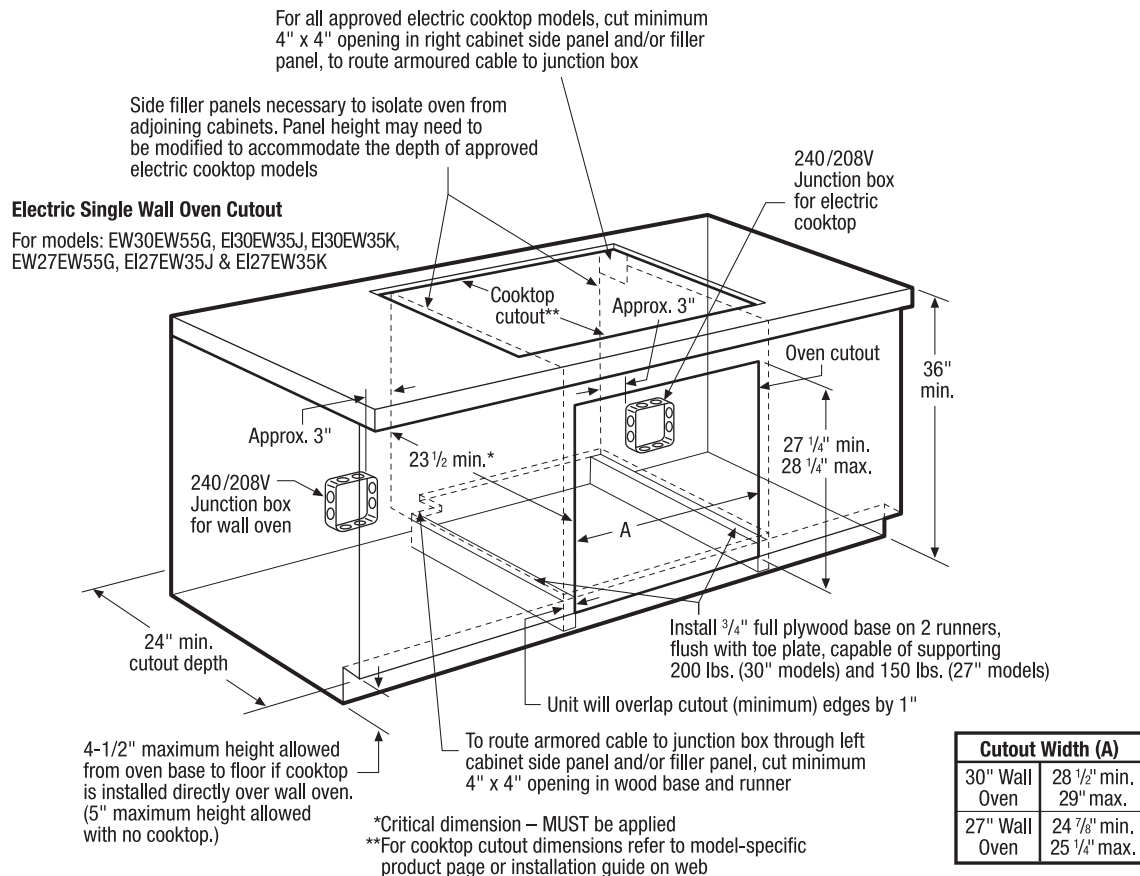
*When properly installed, meets the appliance standards in the Americans with Disabilities Act and the Architectural Barriers Act Accessibility Guidelines as published by the United States Access Board on June 23, 2004, as amended August 5, 2005.

NOTE: Always consult local and national electric codes. Refer to Product Installation Guide for detailed installation instructions on the web at electroluxappliances.com.

Specifications subject to change.

**Approved to be used over any Electrolux Single Wall Oven OR in combination with any Electrolux 36" Downdraft Vent.

Electric Cooktop Installation Over 30" / 27" Electric Single Wall Oven



30" & 27" Electric Single Wall Ovens Under-Counter Installation Specifications

- Product Weights – (EW30EW55G, EI30EW35J and EI30EW35K) 200 Lbs. / (EW27EW55G, EI27EW35J and EI27EW35K) 150 Lbs.
- Single phase 3- or 4-wire cable, 120/240 or 120/208 Volt, 60 Hertz AC only electrical supply with ground required on separate circuit fused on both sides of line.
- Connected Load (kW Rating) @ 240/208 Volts = (30") 4.0/3.0kW / (27") 3.4/2.6kW
- Amps @ 240/208 Volts = (30") 17.0/14.5 Amps / (27") 14.2/12.6 Amps
- Recommended Circuit Breaker – 20 Amps
- Always consult local and national electric codes.
- Minimum 21" clearance for oven door depth when open.
- Minimum 23-1/2" deep cutout dimension is critical for proper installation, to ensure that oven's faceplate will fit flush against cabinet front.
- Full oven base of solid plywood or similar material required, capable of supporting 200 Lbs. (30" models) or 150 Lbs. (27" models). Install over two runners and flush with toe plate.
- Base must be level and cabinet front must be square.
- Allow 5" maximum height from oven base to floor, if NO cooktop is installed directly over wall oven.

Electric Cooktop Installation Over 30" / 27" Electric Single Wall Oven Specifications

- Electrolux Single Wall Oven models EW30EW55G, EI30EW35J, EI30EW35K, EW27EW55G, EI27EW35J and EI27EW35K are approved to be used beneath Electrolux cooktop models EW36EC55G, EW30EC55G, EW36IC60I, EW30IC60I, EW36CC55G and EW30CC55G. For detailed Electric or Induction Hybrid Cooktop installation, refer to model-specific product page and installation guide on web.
- Side filler panels necessary to isolate oven from adjoining cabinets. Panel height may need to be modified to accommodate the depth of approved electric cooktop models.
 - To route armored cable to junction box, cut minimum 4" x 4" opening in right cabinet side panel.
 - Allow 4-1/2" maximum height from oven base to floor, if cooktop is installed directly over wall oven.

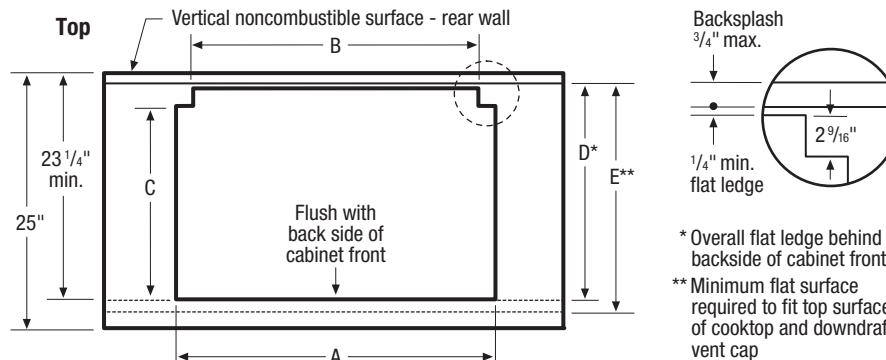
Note: For planning purposes only. Refer to Product Installation Guide on the web at electroluxappliances.com for detailed instructions.

Electrolux Major Appliances, N.A.

USA • 10200 David Taylor Drive • Charlotte, NC 28262 • 1-877-4electrolux (1-877-435-3287) • electroluxappliances.com
CANADA • 5855 Terry Fox Way • Mississauga, ON L5V 3E4 • 1-800-265-8352 • electroluxappliances.ca

Countertop Preparation for 30" & 36" Cooktop/Downdraft Vent Installation

For detailed cooktop and downdraft vent installation specifications, refer to model-specific product page and installation guide on web

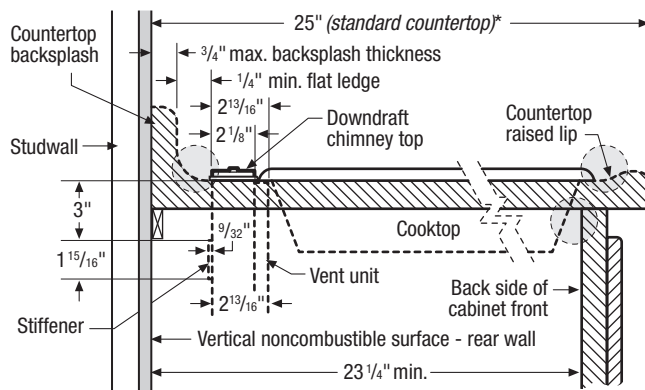


E30DD75ESS/30" Cooktop Cutout Dimensions

30" Cooktops	A	B	C	D	E
EW30IC60I	30"	27 3/4"	20 1/2"	23 5/16"	24 5/16"
EW30CC55G	30"	27 3/4"	20 1/2"	23 5/16"	24 5/16"
EW30EC55G	30"	27 3/4"	20 5/8"	23 7/16"	24 7/16"
EW30GC55G	28 1/2"	27 3/4"	19 3/4"	22 9/16"	23 9/16"
EW30GC60I	28 1/2"	27 3/4"	19 3/4"	22 9/16"	23 9/16"

E36DD75ESS/36" Cooktop Cutout Dimensions

36" Cooktops	A	B	C	D	E
EW36IC60I	36 1/4"	33 3/4"	20 1/2"	23 5/16"	24 5/16"
EW36CC55G	36 1/4"	33 3/4"	20 1/2"	23 5/16"	24 5/16"
EW36EC55G	36"	33 3/4"	20 5/8"	23 7/16"	24 7/16"
EW36GC55G	34 1/4"	33 3/4"	19 3/4"	22 9/16"	23 9/16"



Cooktop Installation Note:

To ensure proper installation, refer to model-specific installation guide on web for cooktop dimensions, cutout dimensions and cabinet requirements. Due to varying cooktop depths, tight fit is possible between cooktop and vent.

Countertop Preparation Note:

Be aware of areas of potential interference called out in illustration. Countertop with raised lip and/or backsplash may not allow enough flat area for proper installation, 2-13/16" of flat countertop required behind cooktop. No gap required between back of cooktop and front of downdraft trim piece.

*Standard 25" countertop depth may NOT be adequate for some cooktop/vent installations, especially with backsplash.

Cooktop/Downdraft Vent Countertop Preparation Specifications

- For detailed Cooktop installation, refer to model-specific product page and installation guide on web. Plan installation so that all required minimum clearances between cooktop, overhead cabinets and adjacent vertical walls are provided.
- Position cooktop/vent cutout so all required minimum clearances are met.
- Minimum flat countertop area must meet or exceed combined overall width and depth as shown. Standard 25" countertop depth may NOT be adequate for some cooktop/vent installations, especially with backsplash.
- Separate circuits required for cooktop and vent. (Refer to product-specific electrical specifications.)
- Always consult local and national electric and gas codes. Check local building codes for installation requirements, as they may vary per locale.

Downdraft Vent Specifications

- For detailed Downdraft Vent installations, refer to model-specific product page and installation guide on web.
- Voltage Rating – 120V/ 60Hz/ 15 Amps
- Connected Load (kW Rating) @ 120 Volts = 1.0kW (For use on adequately wired 120V, dedicated circuit having 2-wire service with a separate ground wire. Appliance must be grounded for safe operation.)

- Amps @ 120 Volts = 8.0 Amps
- Vent unit outside of building only.
- Vent must be installed in vertical orientation only.
- 1,600 CFM remote exhaust blower (PN#5304444802) included with vent – shipped in separate box.
- Do not use flexible duct. Round duct instead of rectangular duct recommended, especially when elbows are required.
- When multiple elbows are necessary, ensure a minimum of 24" of straight duct between any two elbows.
- Thermal breaks such as short section of nonmetallic duct, should be used in areas of extreme cold.
- For most efficient airflow exhaust, use a straight run or as few elbows as possible.
- Cold weather installations should have additional backdraft damper installed.
- Installing a Downdraft Vent in combination with any gas cooking surface will affect optimum burner efficiency.

Note: For planning purposes only. Refer to Product Installation Guide on the web at electroluxappliances.com for detailed instructions.