



Microwave Combination Wall Oven

30" Wall Oven and Microwave Combination

ECWM3011AS

Available Colors : Stainless Steel

Version : 02/21

Cooking Controls

Air Fry	Yes
Air Sous Vide	Yes
Bake	Yes
Bake Time	Yes
Bread Proof	Yes
Broil	Yes
Convection Bake	Yes
Convection Roast	Yes
Delay Start	Yes
Fast Preheat	Yes
Keep Warm	Yes
Probe	Yes
Self Clean	Yes
Steam Bake	Yes
Steam Clean	Yes
Steam Roast	Yes

Oven

Bake System	Yes
Bake Element Type	Hidden
Bake Element Pass	8
Bake Element	2,500 Watts
Broil Element Pass	6
Broil Element	4,000 Watts
Convection Type	True
Number of Rack Positions	6
Rack Type 1	Glide
Rack Type 1 Quantity	1
Rack Type 2	Air Fry Tray
Rack Type 2 Quantity	1
Oven Interior Color	Midnight Black
Oven Light Type	Halogen
Oven Light Quantity	2
Oven Light Watts	25 Watts

Controls

Wi-Fi Enabled	Yes
---------------	-----

Internal Specifications

Interior Color	Midnight Black
Rack	Yes
Turntable Diameter	14"
Turntable Material	Glass

Dimensions and Volume

Microwave Capacity	1.7 Cu. Ft.
Oven Capacity	5.1 Cu. Ft.

General Specifications

Product Weight	99.75 lbs
Prop 65 Label	Yes
Warranty - Labor	1 Year
Warranty - Parts	1 Year

Safety Certifications & Approvals

UL Listed	Yes
cUL Listed	Yes
RoHS	Yes

High standards of quality at Electrolux Home Products, Inc. mean we are constantly working to improve our products. We reserve the right to change specifications or discontinue models without notice.

Electrolux Major Appliances, N.A.

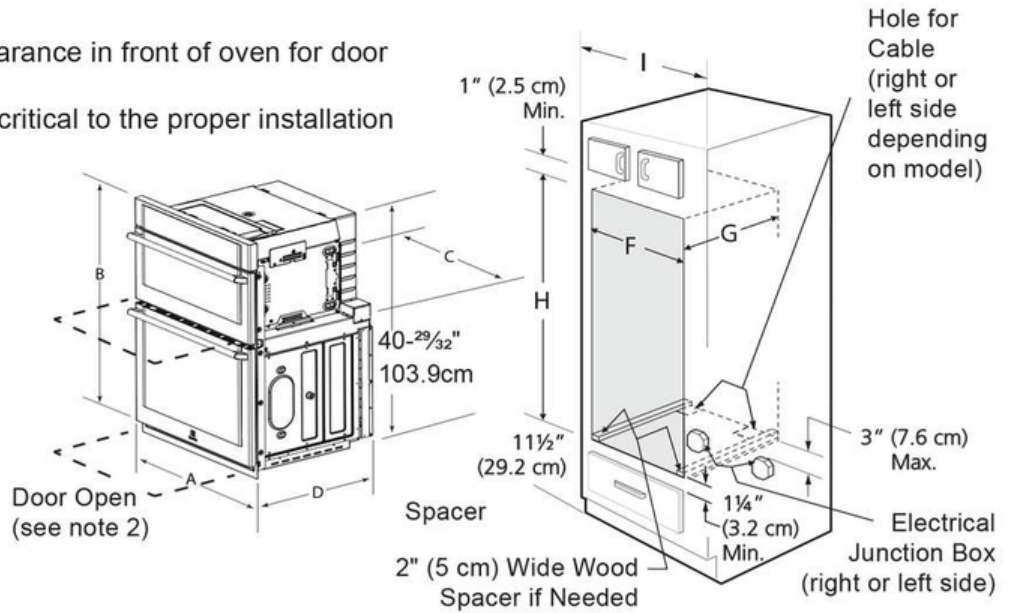
USA • 10200 David Taylor Drive • Charlotte, NC 28262 • Charlotte, NC 28262 • 1-877-4electrolux (1-877-435-3287) • electroluxappliances.com

CANADA • 5855 Terry Fox Way • Mississauga, ON L5V 3E4 • 1-800-265-8352 • electroluxappliances.ca

NOTES:

1. Allow at least 21" (53.3cm) clearance in front of oven for door depth when it is open.
2. Dimension G (cutout depth) is critical to the proper installation of the built-in oven. If the oven decorative trim does not butt against the cabinet verify dimension G to assure it is the required depth.

* Suggested distance from floor is 11½" (29.2 cm).
 Minimum required distance is 4 ½" (11.4 cm) in the US and Mexico. Minimum required distance is 8 ½" (21.6 cm) in Canada.



Product and Cutout Dimensions

PRODUCT DIMENSIONS							
MODEL	A		B		C		D
Microwave Combination	30 (76.2cm)		42 ⁴¹ / ₆₄ (108.3cm)		28 ¹ / ₄ (71.8cm)		25 ³ / ₁₆ (63.9cm)
CUTOUT DIMENSIONS AND CABINET WIDTH							
MODEL	F		G. Min.	H		I	
	Min.	Max.		Min.	Max.		
Microwave Combination	28 ¹ / ₂ (72.4cm)	29 (73.7cm)	24 (61.0cm)	40 ⁶³ / ₆₄ (104.1cm)	41 ¹³ / ₁₆ (106.2cm)	30 ¹ / ₈ (76.5cm) Min	

High standards of quality at Electrolux Home Products, Inc. mean we are constantly working to improve our products. We reserve the right to change specifications or discontinue models without notice.