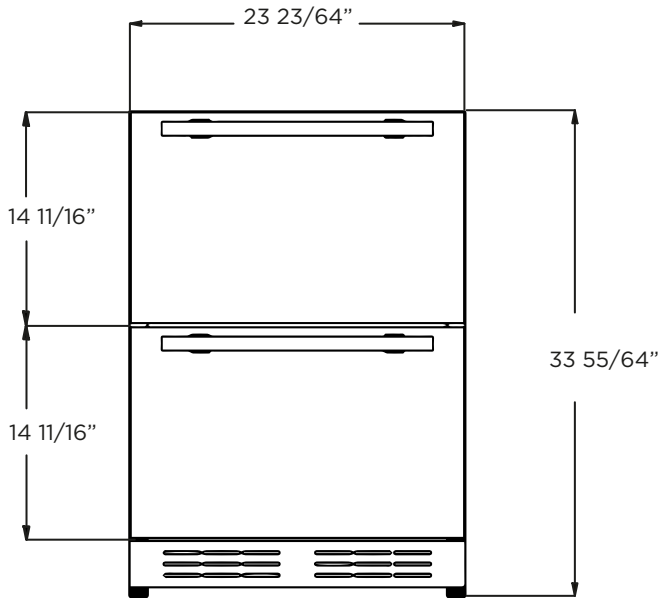


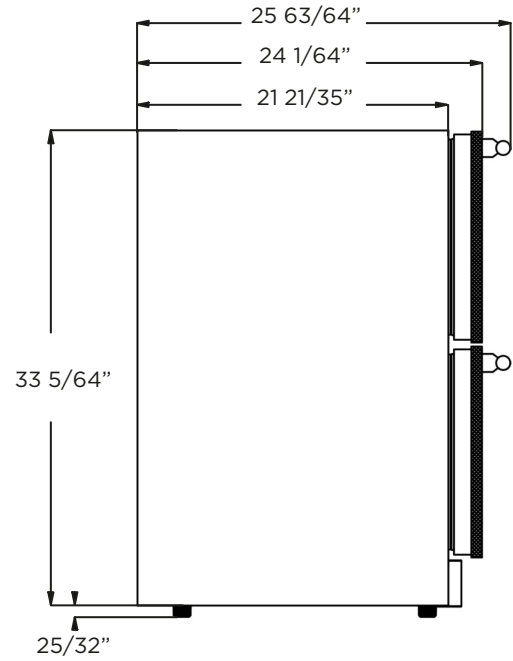
REFRIGERATION DRAWER

EBD51SS1

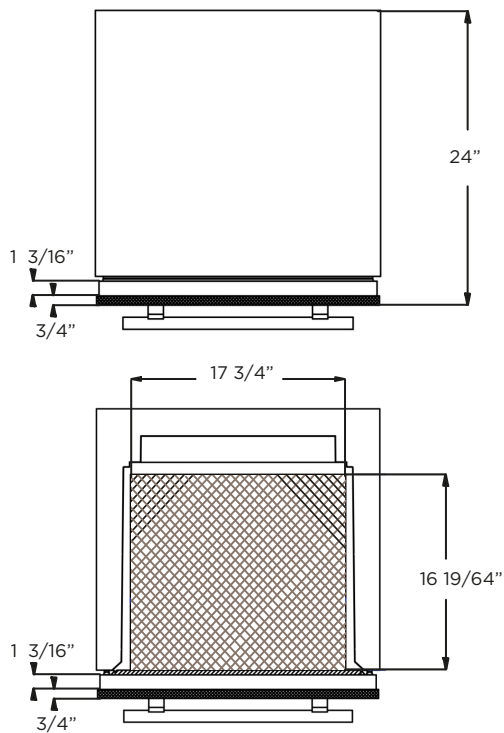
FRONT VIEW



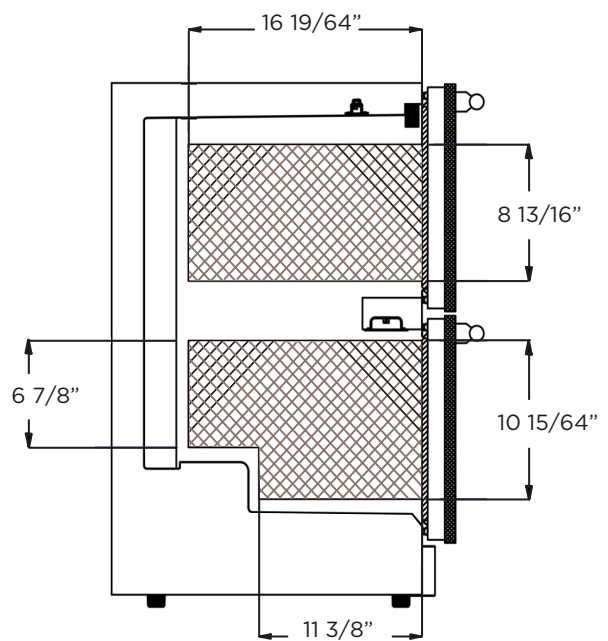
SIDE VIEW



TOP VIEW



CAPACITY



FEATURES

Door Finish	Solid Door 304 Stainless Steel + Panel Ready
Cabinet Finish	Black
Interior Finish	Stainless Steel
Lighting	White LED
Controls	Electronic control with white LED readout
Temperature Range	34 to 50° F
Total Capacity	4.7 cu ft (137L)
	TOP DRAWER
Dividers	2 Adjustable Stainless steel Dividers
	BOTTOM DRAWER
Dividers	1 Fixed Tubular Divider