



ISLAND
ASPIRE SERIES

Dimensions

36" W x 25 ³/₁₆" D x 1 ¹⁵/₁₆" H
42" W x 25 ³/₁₆" D x 1 ¹⁵/₁₆" H

Models

ECN636S2 Cingoli 36" Stainless
ECN642S2 Cingoli 42" Stainless

Special features



CRS
CFM
REDUCTION



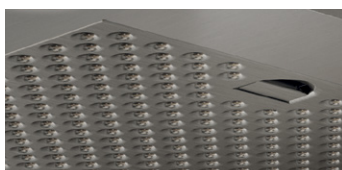
HEAT
GUARD



halogen lamps



multi-function electronic controls
with LCD display



stainless steel micro hole filters



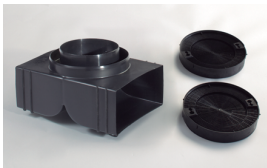
Designed to be suspended above a kitchen island, Cingoli takes flight with graceful 36" or 42" arched glass wings, which allow natural light to illuminate the surface below. The expansive glass wings are complemented by reflective stainless steel. The beauty of Cingoli is combined with features like a powerful 600 CFM blower, dishwasher-safe stainless steel microhole filter and multi-function electronic controls with LCD display deliver convenience and safety.

Designed for standard ducted installation (for heights 7'10" to 10'0"), Cingoli can also be installed as a recirculating system (for heights 7'10" to 10'6") using the Recirculating Kit, available as an accessory.

FEATURES

Size (in) & Type Finish	36" or 42" Wide Island Stainless Steel + Clear Glass
Controls	Multi-function electronic with LCD display
Illumination	4, 40 Watt Halogen Lamps, 2 Light Intensities (bulbs included)
Installation Type	Ducted or Recirculating Installation Recirculating Kit Sold Separately
Blower Type	600 CFM, 4-Speed Internal
Blower Performance	Speed 1, 160 CFM, 1.6 Sones Speed 2, 280 CFM, 3.5 Sones Speed 3, 470 CFM, 6.6 Sones Speed 4, 600 CFM, 8.7 Sones
Filter Type	1, Dishwasher-Safe, Stainless Steel Micro Hole
Telescopic Chimney Extension	For heights 7'10" - 10'0" (ducted) For heights 7'10" - 10'6" (recirculating)
Duct Transition	6" Round with Back Draft Damper (top)
Electrical	120V-60Hz 530 Watts at 4.4 Amps
Warranty	2 Year Parts & Labor, In-Home Service

ACCESSORIES



Optional Recirculating Kit for 36" and 42"

CODE: KIT02665
MODEL: KIT02665



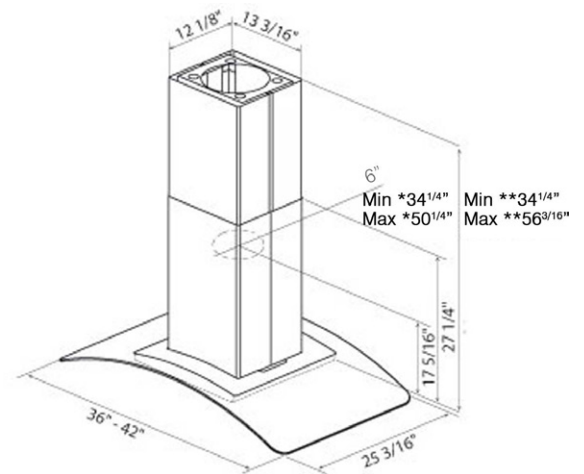
Optional Long Chimney Extension Kit

Reaches 9'0" - 12'0" (ducted)
Reaches 9'0" - 12'6" (recirculating)

CODE: KIT0100317
MODEL: EXXRCK06

Product image is for illustrative purposes only and may differ from the actual product.

LINE DRAWING



CONSUMABLE PARTS

Replacement Grease Filter (1)

CODE: GF04YB

Replacement Carbon Filter (1)

CODE: KIT02667

Replacement Light Bulb (1)

CODE: 2006DX

Consumable parts are sold in units of one (1). Order accordingly.

SPECIAL FEATURES



Elica CRS:

CFM Reduction System (CRS), is an exclusive feature to Elica hoods, which enables the installer to reduce the maximum blower CFM, to meet local code requirements.



Elica Heat Guard:

A safety feature that protects the hood and cabinetry from excessive heat, by sensing extreme temperatures (>158 degrees) and will automatically adjust the blower speed to HIGH. Blower speed will automatically adjust back once temperatures drop to a safe level.