

MODENA



UNDER-CABINET
ASPIRE SERIES

Dimensions

30"W x 20"D x 9"H
36"W x 20"D x 9"H

Models

EMD530S2 Modena 30" Stainless
EMD536S2 Modena 36" Stainless

Special features



CFM REDUCTION



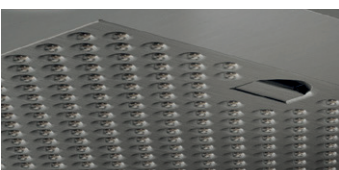
HEAT GUARD



halogen lamps



multi-function electronic controls with LCD display



stainless steel micro hole filters



Modena offers a classic designer chimney appearance for under-cabinet installations, with a striking 9" high pyramid shape. Modena includes a 520 CFM blower, which provides sufficient ventilating power for most kitchens. Also included are halogen lighting with 2 intensities, stainless steel micro hole filters and easy to use multi-function electronic controls with LCD display.

Available in 30" or 36" width, and designed for standard ducted installation, Modena can also be installed as a recirculating system.

FEATURES

Size (in) & Type Finish	30" or 36" Wide Under-Cabinet Stainless Steel
Controls	Multi-function electronic with LCD display
Illumination	2, 40 Watt Halogen Lamps, 2 Light Intensities (bulbs included)
Installation Type	Ducted or Recirculating Installation Recirculating Kit Sold Separately
Blower Type	520 CFM, 4-Speed Internal
Blower Performance	Speed 1, 170 CFM, 1.3 Sones Speed 2, 280 CFM, 2.7 Sones Speed 3, 430 CFM, 4.9 Sones Speed 4, 520 CFM, 7.3 Sones
Filter Type	Dishwasher-Safe, Stainless Steel Micro Hole (2 w/30" Unit, 3 w/36" Unit)
Duct Transition	3/4" x 10" with Back Draft Damper (top or rear), or 7" Round (top) sold separately
Electrical	120V-60Hz 550 Watts at 4.6 Amps
Warranty	2 Year Parts & Labor, In-Home Service

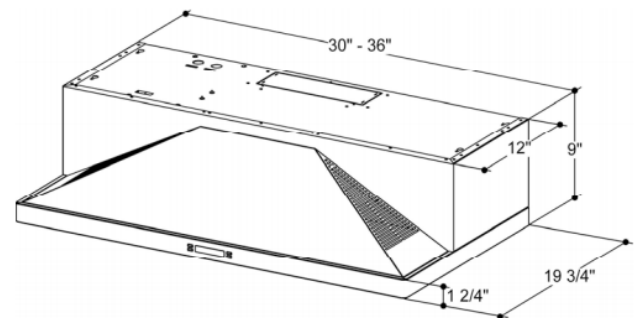
ACCESSORIES



Optional Recirculating Kit for 30" and 36" Units

CODE: KIT02667
MODEL: KIT02667

LINE DRAWING



CONSUMABLE PARTS

Replacement Grease Filter (1)
CODE: GF04YB

Replacement Carbon Filter (1)
CODE: FB016A

Replacement Light Bulb (1)
CODE: 2006BH

Consumable parts are sold in units of one (1). Order accordingly.

SPECIAL FEATURES



Elica CRS:

CFM Reduction System (CRS), is an exclusive feature to Elica hoods, which enables the installer to reduce the maximum blower CFM, to meet local code requirements.



Elica Heat Guard:

A safety feature that protects the hood and cabinetry from excessive heat, by sensing extreme temperatures (>158 degrees) and will automatically adjust the blower speed to HIGH. Blower speed will automatically adjust back once temperatures drop to a safe level.