



COMO WALL



LED light with dimmer

Como combines arched glass wings and stainless steel to create a light and airy environment... the perfect centerpiece for any contemporary kitchen.

This gently flowing design is powered by a 600 CFM blower that can handle the demands generated by today's cooktops. Como is equipped with glass touch controls, LED dimmable lighting and dishwasher-safe stainless steel microhole filter.

Designed for standard ducted installation, Como can also be installed as a recirculating system using the Recirculating Kit, available as an accessory.

TECHNE SERIES

Dimensions | Models

30"W x 19 11/16"D x 1 15/16"H | ECM630S3
COMO 30"

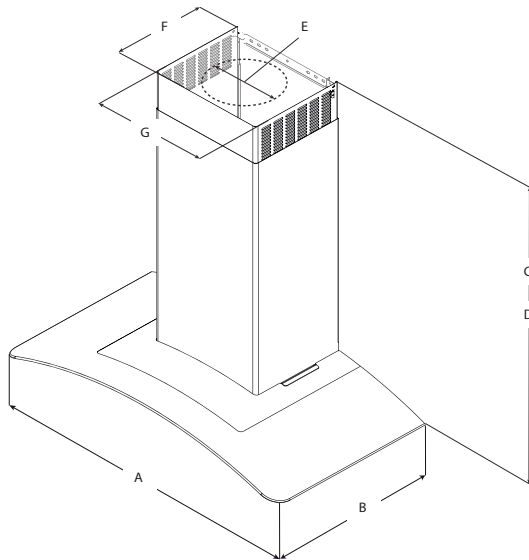
36"W x 19 11/16"D x 1 15/16"H | ECM636S3
COMO 36"



FEATURES

Size (in) & Type	30" or 36" wide Wall Chimney
Finish	Stainless Steel + Black Glass
Controls	Touch Control 3S + Booster
Illumination	2 Premium LED Dimmable Lights
Installation Type	Ducted, Recirculating Kit sold separately
Blower Type	Speed 1, 160 CFMs Speed 2, 280 CFMs Speed 3, 470 CFMs Speed 4, 600 CFMs
Filter Type	Dishwasher- Safe, Stainless Steel Microhole Filter
Noise (sones):	Min: 2.36, Max: 6 Sones
Duct Transition	Round 6"/150cms
Electrical	120 Volts, 60 Hertz, 394 Watts, 3.27 Amps

Line Drawing



	Models	
	ECM630S3	ECM636S3
A	30" (76.2 cm)	36" (91.4 cm)
B	19 1/8" (50 cm)	
C*	Max: 54 1/4" (137.6 cm) Min: 33 1/2" (84.7 cm)	
D**	Max: 50 5/8" (127.8 cm) Min: 29 1/8" (75.4 cm)	
E	6" (15.24 cm)	
F	10 3/4" (27.3 cm)	
G	13 1/2" (33.1 cm)	

* Ductless (Recirculating) version
** Ducted version

PLUS



TOP PERFORMANCE

with an average aspiration range of 600 CFM's. With a noise level between 60-65 db(A) at maximum speed (reference point varies based on the hood category).



AMBIENT LIGHT

Elica studies on hood lighting leaves no stone unturned. Here we have thought about products not only able to light the cooktop, but the entire kitchen space. And so the hood is transformed: from a kitchen appliance to a true lighting element. Considering the design of Elica hoods, it is not hard to imagine how this option is unique, and represents one extraordinary point of strength for us.



LED LIGHT

LED lighting is undoubtedly the smartest solution in terms of energy saving. Expected life time of over 20,000 hours, represents the most remarkable advantage of LED light bulbs.



DIM-LIGHT

The Dimmer allows you to adjust the brightness of the light as you wish. With Elica, lighting is customized in a discreet, personal and practical way, in order to contribute in creating the perfect kitchen atmosphere.



CFM REDUCTION

CFM Reduction System (CRS), is an exclusive feature to Elica hoods, which enables the installer to reduce the maximum blower CFM, to meet local code requirements.



HUSH SYSTEM

An exclusive sound deadening technology that effectively reduces sound levels by over 35%, compared to typical range hoods.

Accessories



Optional Recirculating Kit

CODE: KIT02721 / (30", 36")

Optional Long Chimney Extension

CODE: KIT0100315 / (30", 36")