



FOGLIA WALL-MOUNT

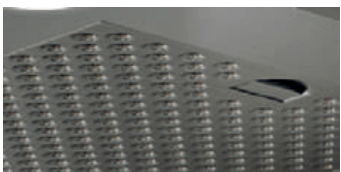
TECHNE SERIES



LED Dimmable Lights



Capacitive Touch Control



Microhole Stainless Steel Filter

Black panel and polished stainless steel, Foglia features a gently arched front that softens the units profile and provides an angled panel for easy access to the controls.

Available in 30" & 36" widths, Foglia includes a powerful 600 CFM blower, LED lighting with dimmable feature, stainless steel microhole filters and capacitive touch controls that deliver convenience and safety.

Designed for standard ducted installation, Foglia can also be installed as a recirculating system using the Recirculating Kit, available as an accessory.

Dimensions | Models

30"W x 20" D x 10" H | EFG630S1
Foglia 30" Stainless

36"W x 20"D x 10" H | EFG636S1
Foglia 36" Stainless



DIM-LIGHT



CRS
CFM REDUCTION



HUSH



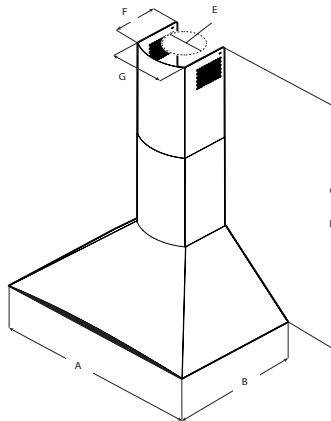
TOP
PERFORMANCE



LED
LIGHT

FEATURES

Size (in) & Type	30" or 36" Wide Wall-Mount Chimney
Finish	Stainless Steel + Black Panel
Controls	Touch Control 3S + Booster
Illumination	2 Premium LED Dimmable Lights
Installation Type	Ducted or Recirculating Installation Recirculating Kit Sold Separately
Blower Type	600 CFM, 4-Speed Internal
Blower Performance	Speed 1, 210 CFM Speed 2, 300 CFM Speed 3, 470 CFM Speed 4, 600 CFM
Noise (sones):	Min: 1.71, Max: 7.5 Sones
Filter Type	Dishwasher-Safe, Stainless Steel Micro Hole
Telescopic Chimney Extension	For heights 7'1" - 9'1" (ducted) For heights 7'5" - 9'6" (recirculating)
Duct Transition	6" Round with Back Draft Damper (top)
Electrical	120V-60Hz 455 Watts at 3.8 Amps



Line Drawing

	Models	
	EFG630S1	EFG636S1
A	30" (76.2 cm)	36" (91.4 cm)
B	19 1/8" (50 cm)	
C*	Max: 42 3/8" (107 cm) Min: 28 5/8" (73 cm)	
D**	Max: 38 3/8" (97 cm) Min: 28 5/8" (73 cm)	
E	6" (15.24 cm)	
F	8" (20.5 cm)	
G	8 3/8" (21.5 cm)	

* Ductless (Recirculating) version
** Ducted version

PLUS

Accessories

Optional Recirculating Kit for 30" and 36"
CODE: KITO2766

Optional Long Chimney Extension Kit
Reaches 8'11" - 11'4" (ducted)
Reaches 9'3" - 11'8" (recirculating)
CODE: KITO2784

Consumable parts

Replacement Grease Filter (1)
CODE: GF04YB
Replacement Carbon Filter (1)
CODE: KITO2667
Replacement Light Bulb (1)
CODE: 2006BH

Consumable parts are sold in units of one (1). Order accordingly.



TOP PERFORMANCE

Excellent performance for models equipped with this plus. High fume capturing capacity with an average aspiration range of 600 CFM's. With a noise level between 60-65 db(A) at maximum speed (reference point varies based on the hood category).



LED LIGHT

LED lighting is undoubtedly the smartest solution in terms of energy saving. Expected life time of over 20,000 hours, represents the most remarkable advantage of LED light bulbs.



DIM-LIGHT

The Dimmer allows you to adjust the brightness of the light as you wish. With Elica, lighting is customized in a discreet, personal and practical way, in order to contribute in creating the perfect kitchen atmosphere.



HUSH SYSTEM

An exclusive sound deadening technology that effectively reduces sound levels by over 35%, compared to typical range hoods.



CFM REDUCTION

CFM Reduction System (CRS), is an exclusive feature to Elica hoods, which enables the installer to reduce the maximum blower CFM, to meet local code requirements.