

ICONIC SERIES
HAIKU ISLAND



SPECIAL MATERIAL



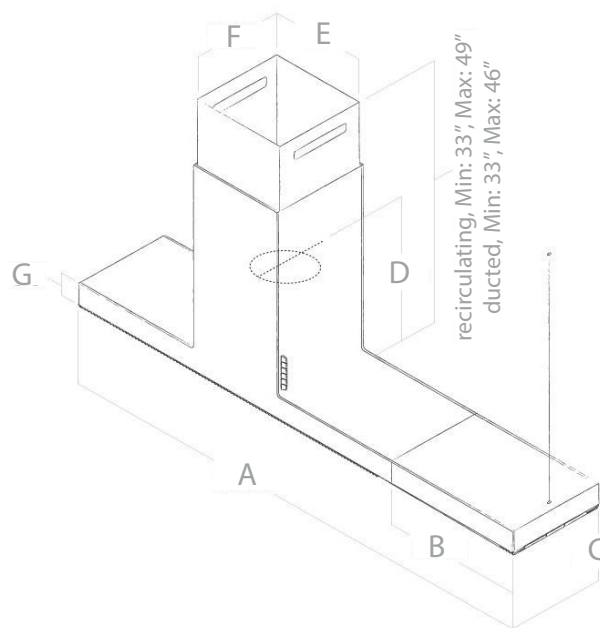
LONG LIFE FILTER



TOTAL INTEGRATION

ELICA'S EXCLUSIVE PLUS FEATURES

Unprecedented solutions in line with the latest furniture trends ergonomics and large suction surface. The aesthetic linearity can be seen in the cast iron effect aluminum grilles, which strongly characterize the product, also available in different sizes and materials: full stainless steel, extra clear tempered glass with black screen printed and White Intense KRION®.



A	12.5" 48" 70"
B	24"
C	13"
D	19"
E	12"
F	11 13/20"
G	3 7/50"

ICONIC SERIES
HAIKU ISLAND

SPECIFICATIONS



	12.5" UNIT	48" UNIT	70" UNIT
Model:	EHI613SS	EHI648SS EHI648BL EHI648WH	EHI670SS
Dimensions:	12.5" x 12.5"	48" x 12.5"	70" x 12.5"
Blower type (internal):	600 CFM		
Blower performance:			
Speed 1	210 CFM		
Speed 2	340 CFM		
Speed 3	490 CFM		
Speed 4-Boost	550 CFM		
Noise (sones): At working speed	1.8		
Finish:	Stainless Steel	Stainless Steel, Black Glass, White Krypton®	Stainless Steel
Controls:	3S + 2B Touch Control		
Illumination:	Strip LED 1X7 W 3500 K		
Filter type:	3D Aluminum grids with cast iron effect + 6 layer mesh filter		
Duct transition:	5"		
Installation type:	Duct out		
Electrical:			
KITS:			
Recirculating Kit:	CFC0141725AUL		
Long life filter:	CF0141725A		
Charcoal filter (1):	CFC0141529A		

*Note: Reference image only. Check sizes and finishes availability.

PLUS FEATURES



SPECIAL MATERIALS - Products designed in special materials and finishes with great aesthetic impact but also with practical and durable characteristics, perfect for cooking use.



LONG LIFE FILTER - One of a kind odour filter, capable of regenerating itself and of lasting up to 3 years. To maintain these characteristics, the filter only requires simple maintenance: wash every 2 or 3 months with hot water and mild soap (also in dishwasher at 65 degrees) and dry in the oven for ten minutes at 100 degrees.



TOTAL INTEGRATION - These products have been designed to be seamlessly integrated into the kitchen whilst maintaining harmony with the surroundings.

TOTAL
INTEGRATION