

ICONIC SERIES  
**HAIKU**

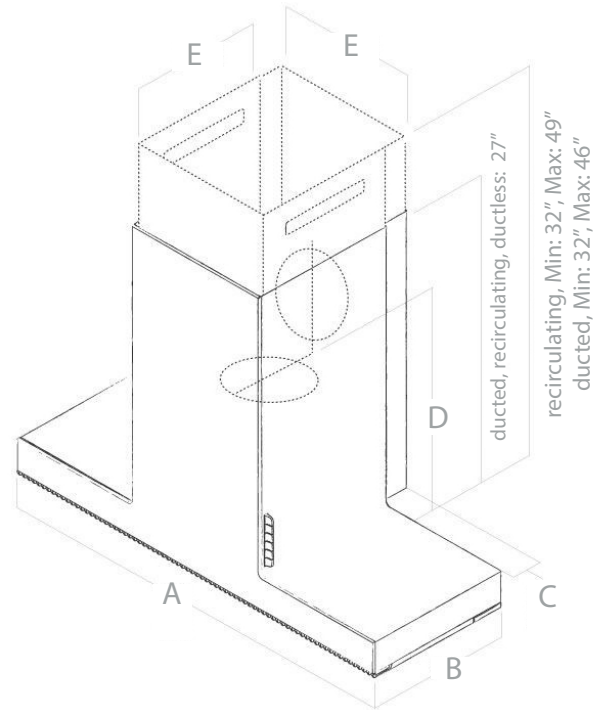


-   
SPECIAL MATERIAL
-   
LONG LIFE FILTER
-   
TOTAL INTEGRATION

ELICA'S EXCLUSIVE PLUS FEATURES

Harmony and simplicity. With its reduced depth, Haiku is a particularly ergonomic product without compromising its suction capacity. The aesthetic linearity can be seen in the cast iron effect aluminum grilles, which strongly characterize the product. They are easy to remove and equipped with a blocking system designed to avoid accidental falls.

**HAIKU HAS THE ONLY SYSTEM WITH ADJUSTABLE DEPTH.**



A	12.5"   24"   36"   48"
B	12 ½"
C	Min: 0", Max: 2 ⅝"
D	19"
E	12"

SPECIFICATIONS



	12.5"	24"	36"	48"
Model:	EHK613SS	EHK624SS	EHK636SS EHK636WH EHK636BL	EHK648SS
Dimensions:	12.5" x 12.5"	24" x 12.5"	36" x 12.5"	48" x 12.5"
Blower type (internal):	600 CFM			
Blower performance:				
Speed 1	210 CFM			
Speed 2	340 CFM			
Speed 3	490 CFM			
Speed 4-Boost	550 CFM			
Noise (sones): At working speed	1.8			
Finish:	Stainless Steel	Stainless Steel	Stainless Steel, Black Glass, White Krypton®	Stainless Steel
Controls:	3S + 2B Touch Control			
Illumination:	Strip LED 1X7 W 3500 K			
Filter type:	3D Aluminum grids with cast iron effect + 6 layer mesh filter			
Duct transition:	-			
Installation type:	Duct out and recirculating			
Electrical:				
KITS:				
Recirculating Kit:	CFC0141725AUL			
Long life filter:	CF0141725A			
Charcoal filter (1):	CFC0141529A			

\*Note: Reference image only. Check sizes and finishes availability

PLUS FEATURES



**SPECIAL MATERIALS** - Products designed in special materials and finishes with great aesthetic impact but also with practical and durable characteristics, perfect for cooking use.



**LONG LIFE FILTER** - One of a kind odour filter, capable of regenerating itself and of lasting up to 3 years. To maintain these characteristics, the filter only requires simple maintenance: wash every 2 or 3 months with hot water and mild soap (also in dishwasher at 65 degrees) and dry in the oven for ten minutes at 100 degrees.



**TOTAL INTEGRATION** - These products have been designed to be seamlessly integrated into the kitchen whilst maintaining harmony with the surroundings.