

LEONE ISLAND



ISLAND

ASPIRE SERIES

Dimensions

36" W x 27" D x 12 ³/₄" H
42" W x 27" D x 12 ³/₄" H

Models

ELI136SS Leone Island 36" Stainless
ELI142SS Leone Island 42" Stainless

Special features



HUSH



halogen lamps



metallic rotating knob controls



professional stainless steel baffle filters



Designed to support Island cooking, Leone Island delivers a splash of Italian design with the classic crisp lines of a chimney style hood, seamless welded corner craftsmanship, a beveled rim design and gleaming stainless steel plus the hood comes "unbranded", for easy coordination with other appliances. Most importantly, Leone Island has the extra depth (27") and power (1200 CFM) needed to support professional ranges and cooktops. No ear plugs required with Elica's HUSH sound suppression system, which enables you to comfortably talk and entertain, even when cooking up a storm. Available in 36" and 42" widths, Leone Island features metallic rotating knob controls, which operate the 4-speed blower and halogen lighting. Easy maintenance and a cleaner kitchen are ensured with professional stainless steel baffle filters.

Leone Island is designed for standard ducted ventilation only (for heights 7'6" to 9'2").

LEONE ISLAND

FEATURES

| | |
|-------------------------------------|---|
| Size (in) & Type Finish | 36" or 42" Wide Island Stainless Steel |
| Controls | Metallic rotating knob |
| Illumination | 4, 40 Watt Halogen Lamps, 2 Light Intensities (bulbs included) |
| Installation Type | Ducted Installation Only |
| Blower Type | 1200 CFM, 4-Speed Internal |
| Blower Performance | Speed 1, 375 CFM, 1.6 Sones Speed 2, 640 CFM, 3.5 Sones Speed 3, 940 CFM, 6.0 Sones Speed 4, 1200 CFM, 7.7 Sones |
| Filter Type | 2, Dishwasher-Safe, Professional Stainless Steel Baffle |
| Telescopic Chimney Extension | For heights 8'3" - 9'10" (ducted) |
| Duct Transition | 8" Round with Back Draft Damper (top) |
| Electrical | 120V-60Hz 800 Watts at 6.7 Amps |
| Warranty | 2 Year Parts & Labor, In-Home Service |

ACCESSORIES

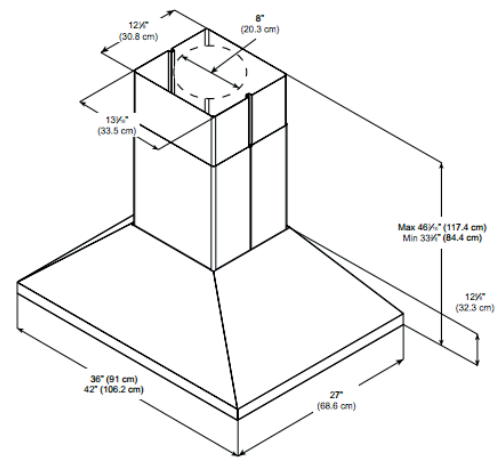


Optional Long Chimney Extension Kit

Reaches 9'0" - 12'0" (ducted)

CODE: KIT0100317
MODEL: EXXCEK06

LINE DRAWING



CONSUMABLE PARTS

Replacement Grease Filter (1)

CODE: GF09EA for 36"
CODE: GF09FA for 42"

Replacement Light Bulb (1)

CODE: 2006EA

Consumable parts are sold in units of one (1). Order accordingly.

SPECIAL FEATURES



HUSH

Elica HUSH Silence System:

An exclusive sound deadening technology that effectively reduces sound levels by over 35%, compared to typical range hoods.