



LEONE WALL-MOUNT

ELICA PRO SERIES



LED lamps



backlit hidden metallic in/out knobs



stainless steel professional baffle filters

Give a splash of Italian design to your professional kitchen with Leone's crisp lines, seamless welded corner craftsmanship, beveled rim and gleaming stainless steel.

Most importantly, Leone has the extra depth (24") and power (1200 CFM on 36" & 42" widths) needed to support professional ranges and cooktops. No ear plugs required with Leone's HUSH sound suppression system, which enables you to comfortably talk and entertain, even when cooking up a storm. Available in 30", 36" and 42" widths, Leone features backlit hidden knob controls, which operate the 4-speed blower and LED lighting. Easy maintenance and a cleaner kitchen are assured with professional stainless steel baffle filters.

Leone is designed for standard ducted ventilation only.

Dimensions | Models

30" W x 24" D x 12 1/8" H | ELN630S1
Leone 30" Stainless

36" W x 24" D x 12 1/8" H | ELN136S1
Leone 36" Stainless

42" W x 24" D x 12 1/8" H | ELN142S1
Leone 42" Stainless



HUSH



LED LIGHT



HEAT GUARD

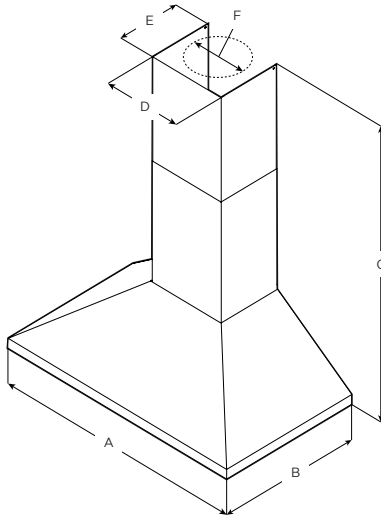


PROFESSIONAL PERFORMANCE

FEATURES

Size (in) & Type	30", 36" or 42" Wide Wall-Mount Chimney
Finish	Stainless steel
Controls	IN/OUT Backlit Knob
Illumination	2 LED 7.5 watts LED light, replaceable lamps (1 intensity)
Installation Type	Ducted Installation Only
Blower Type	600 CFM, 4-Speed Internal (30") 1200 CFM, 4-Speed Internal Blower (36" & 42")
Blower Performance	Speed 1 (For 30") 205 CFM, (For 36" & 42") 375 CFM Speed 2 (For 30") 350 CFM, (For 36" & 42") 640 CFM Speed 3 (For 30") 510 CFM, (For 36" & 42") 940 CFM Speed 4 (For 30") 600 CFM, (For 36" & 42") 1200 CFM
Noise (sones) :	30" Unit: Min: 2.01, Max: 6 Sones 36" & 42" Units: Min: 3.21, Max: 7.7 Sones
Filter Type	Dishwasher-Safe, Professional Stainless Steel, Angled Baffle Filters 1 (30" Unit) 2(36" & 42" Units)
Telescopic Chimney Extension	For heights 8'0" - 10'0" (ducted)
Duct Transition	8" Round with Back Draft Damper (Top Only)
Electrical	120V-60Hz

Line Drawing



	Models		
	ELN630S1	ELN136S1	ELN142S1
A	30" (76.2 cm)	36" (91.4 cm)	42" (106.7 cm)
B	24" (61 cm)		
C	Max: 47 5/8" (120.9 cm) Min: 30" (76.2 cm)		
D	13 2/16" (33.2 cm)		
E	10 5/8" (27 cm)		
F	8" (20.3 cm)		

PLUS

**HUSH SYSTEM**

An exclusive sound deadening technology that effectively reduces sound levels by over 35%, compared to typical range hoods.

**LED LIGHT**

LED lighting is undoubtedly the smartest solution in terms of energy saving. Expected life time of over 20.000 hours, represents the most remarkable advantage of LED light bulbs.

**PROFESSIONAL PERFORMANCE**

Special features and very high performances for models with aspiration capacity between 600 and 1200 CFM's, and noise level between 65 and 75 db(A) at maximum speed. The ideal complement of PRO ranges.

**HEAT GUARD**

A safety feature that protects the hood and cabinetry from excessive heat, by sensing extreme temperatures (>158 degrees) and will automatically adjust the blower speed to HIGH. Blower speed will automatically adjust back once temperatures drop to a safe level.

Accessories

Optional Long Chimney Extension Kit

Reaches 9'10" - 13'0" (ducted)
CODE: KIT02785

Consumable parts

Replacement Grease Filter (1)

CODE: GF061A (30",42")
CODE: GF061A (36")

Consumable parts are sold in units of one (1). Order accordingly.