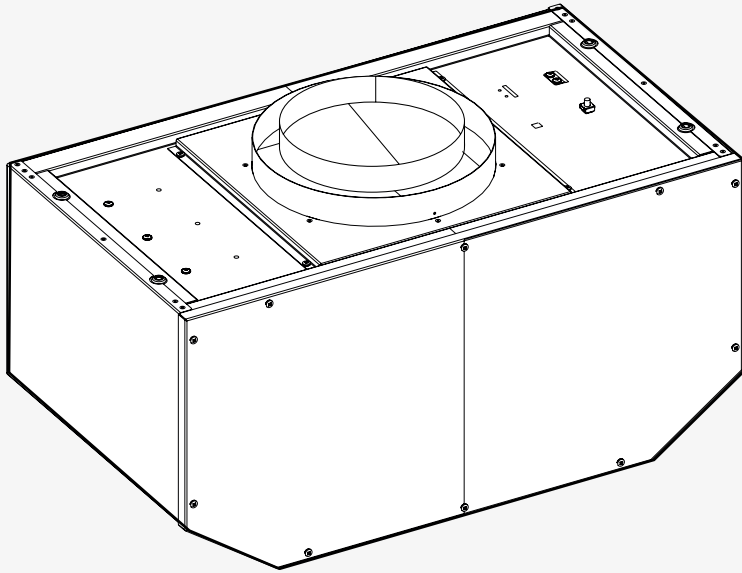


Use, Care, and Installation Guide

Guide
d'utilisation,
d'entretien et
d'installation

Guía de
instalación, uso y
mantenimiento



READ AND SAVE THESE
INSTRUCTIONS

LISEZ CES
INSTRUCTIONS ET
CONSERVEZ-LES

LEA Y CONSERVE
ESTAS INSTRUCCIONES

Models: | KIT0154387

Contents

Important safety notice..... 3

Installation Requirements 4

 Tools & Parts 4

 Location Requirements 5

 Product Dimension 5

 Venting Requirements 5

 Electrical Requirements 6

Installation Instructions 6

 Prepare the location 6

 Install In-Blower System 9

 Make electrical connection for the In-Line Blower System..... 10

 Make electrical between the In-Line Blower System and Range Hood 11

Warranty 14

Wiring Diagram 43

**APPROVED FOR RESIDENTIAL APPLIANCES
FOR RESIDENTIAL USE ONLY
READ AND SAVE THESE INSTRUCTIONS**

**PLEASE READ ENTIRE INSTRUCTIONS BEFORE PROCEEDING.
INSTALLATION MUST COMPLY WITH ALL LOCAL CODES.**

IMPORTANT: Save these Instructions for the Local Electrical Inspector's use.
INSTALLER: Please leave these Instructions with this unit for the owner.
OWNER: Please retain these instructions for future reference.

Safety Warning: Turn off power circuit at service panel and lock out panel, before wiring this appliance.
Requirement: 120 V AC, 60 Hz. 15 or 20 A Branch Circuit.

IMPORTANT SAFETY NOTICE

CAUTION

FOR GENERAL VENTILATING USE ONLY. DO NOT USE TO EXHAUST HAZARDOUS OR EXPLOSIVE MATERIALS OR VAPOURS.

WARNING

TO REDUCE THE RISK OF FIRE, ELECTRIC SHOCK, OR INJURY TO PERSONS, OBSERVE THE FOLLOWING:

- A. Use this unit only in the manner intended by the manufacturer. If you have questions, contact the manufacturer.
- B. Before servicing or cleaning the unit, switch power off at service panel and lock service panel disconnecting means to prevent power from being switched on accidentally.
When the service disconnecting means cannot be locked, securely fasten a prominent warning device, such as a tag, to the service panel.
- C. Installation work and electrical wiring must be done by qualified person(s) in accordance with all applicable codes & standards, including fire-rated construction.
- D. Sufficient air is needed for proper combustion and exhausting of gases through the flue (Chimney) of fuel burning equipment to prevent back-drafting.
Follow the heating equipment manufacturers guideline and safety standards such as those published by the national fire protection association (NFPA), the american society for heating, refrigeration and air conditioning engineers (ASHRAE), and the local code authorities.
- E. When cutting or drilling into wall or ceiling, do not damage electrical wiring and other hidden utilities.
- F. Ducted fans must always be vented to the outdoors.

CAUTION

To reduce risk of fire and to properly exhaust air, be sure to duct air outside - do not vent exhaust air into spaces within walls, ceilings, attics, crawl spaces, or garages.

WARNING

TO REDUCE THE RISK OF FIRE, USE ONLY METAL DUCT WORK.

Install this accessory in accordance with all requirements specified.

WARNING

To reduce the risk of fire or electric shock, do not use this hood with any external solid state speed control device.

WARNING

TO REDUCE THE RISK OF A RANGE TOP GREASE FIRE.

- a) Never leave surface units unattended at high settings. Boilovers cause smoking and greasy spillovers that may ignite. Heat oils slowly on low or medium settings.
- b) Always turn hood ON when cooking at high heat or when flambeing food (I.e. Crepes Suzette, Cherries Jubilee, Peppercorn Beef Flambe').
- c) Clean ventilating fans frequently. Grease should not be allowed to accumulate on fan or filter.
- d) Use proper pan size. Always use cookware appropriate for the size of the surface element.

WARNING

TO REDUCE THE RISK OF INJURY TO PERSONS, IN THE EVENT OF A RANGE TOP GREASE FIRE, OBSERVE THE FOLLOWING:^a

- a) SMOTHER FLAMES with a close-fitting lid, cookie sheet, or other metal tray, then turn off the gas burner or the electric element. BE CAREFUL TO PREVENT BURNS. If the flames do not go out immediately, EVACUATE AND CALL THE FIRE DEPARTMENT.
- b) NEVER PICK UP A FLAMING PAN - you may be burned.
- c) DO NOT USE WATER, including wet dishcloths or towels - a violent steam explosion will result.
- d) Use an extinguisher ONLY if:
 - 1) You know you have a class ABC extinguisher, and you already know how to operate it.
 - 2) The fire is small and contained in the area where it started.
 - 3) The fire department is being called.
 - 4) You can fight the fire with your back to an exit.

^aBased on "Kitchen Fire Safety Tips" published by NFPA.

WARNING

To reduce the risk of fire, electric shock, and injury to persons the kit model KITO154387 need to be installed with the following rangehoods. Other rangehoods cannot be substituted:

ECL630S4, ECL136S4, ECL142S4, ECL148S4, EVV636S1
EJV648S1, EVI642S1, EVI648S1, ELN630S2,
ELN136S2, ELN142S2, ELN148S1, ELI142S2, ELI136S2,
ETR134S1, EAR140S4, EAR146S4, EAR628S4, EAR134S4.

INSTALLATION REQUIREMENTS

Tools and Parts

Gather the required tools and parts before starting installation. Read and follow the instructions provided with any tools listed here.

Tools needed





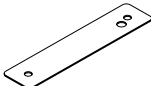
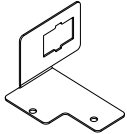





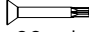
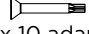

- Drill
- 1¼" (3 cm) drill bit
- ⅜" (0.5 cm) drill bit
- Pencil
- Wire stripper or utility knife
- Tape measure or ruler
- Pliers
- Caulking gun and weatherproof caulking compound
- Vent clamps
- Jigsaw or keyhole saw
- Flat-blade screwdriver
- Metal snips
- Phillips screwdriver

Parts needed

- 6 - 9 AWG wires, one each of the following colors: black, white, red, blue, gray, and green or green/yellow (ground)
NOTE: The length of the conduit and AWG wires is determined by the distance between the in-line blower motor and range hood terminal boxes.
- 11 - UL listed wire connectors

Parts supplied

Remove parts from packages. Check that all parts are included.

 Strain relief connector	2
 4.2x8 mm screws	6
 6-wire blower connector	1
 4x1.8 mm flat washers	4
 Rectangular bracket - Motor cover	2
 Bracket- Connector support	1
 6.3x60 mm screws	4
 9-wire blower connector	1
Strain Reliefs   Ø 12 mm Ø 15.9 mm	1
 6x13.5 mm	2
 Torx 20 adapter	1
 Torx 10 adapter	1
 Strap 2.5x95 mm	2

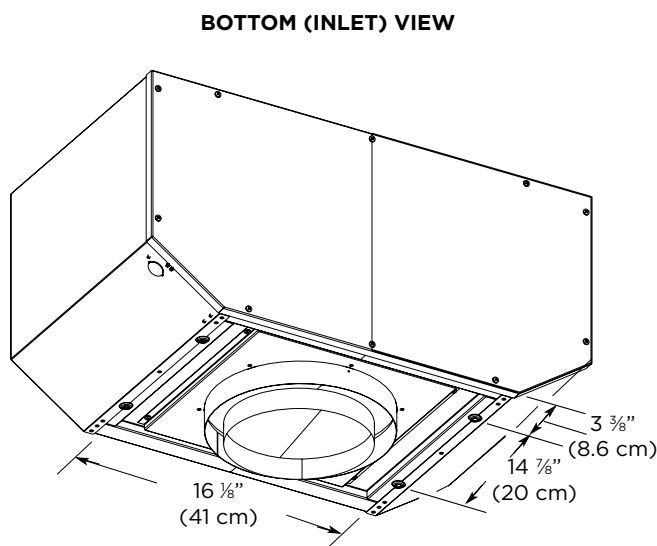
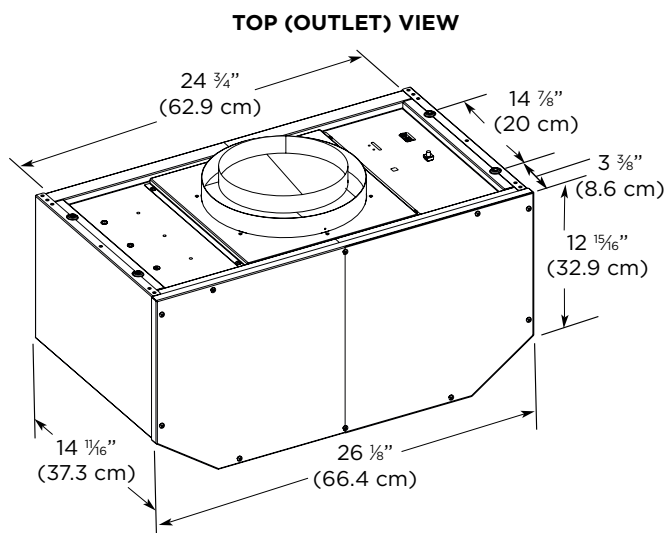
Location Requirements

IMPORTANT: Observe all governing codes and ordinances. Have a qualified technician install the in-line blower motor system. All openings in the ceiling and wall where the in-line blower motor system will be installed must be sealed.

For Mobile Home Installations

The installation of this in-line blower motor system must conform to the Manufactured Home Construction Safety Standards, Title 24 CFR, Part 328 (formerly the Federal Standard for Mobile Home Construction and Safety, Title 24, HUD, Part 280) or when such standard is not applicable, the standard for Manufactured Home Installation 1982 (Manufactured Home Sites, Communities and Setups) ANSI A225.1/NFPA 501A*, or latest edition, or with local codes.

Product dimensions



Venting Requirements

- The vent system must terminate to the outdoors.
- Do not terminate the vent system in an attic or other enclosed area.
- Do not use 4" (10.2 cm) laundry-type vent or wall caps.
- Use round, metal vent only. Rigid metal vent is recommended. Plastic or metal foil vent is not recommended.
- The length of the vent system and number of elbows should be kept to a minimum to provide efficient performance.

For the most efficient and quiet operation:

- Use no more than three 90° elbows.
- Make sure there is a minimum of 24" (61.0 cm) of straight vent between the elbows if more than 1 elbow is used.
- Do not install 2 elbows together.
- Use clamps to seal all joints in the vent system.
- The vent system must have a damper.
- Use weatherproof caulking to seal the exterior wall or roof opening around the cap.
- The size of the vent should be uniform.

Cold weather installations

An additional backdraft damper should be installed to minimize backward cold air flow. A thermal break should be installed to minimize conduction of outside temperatures as part of the vent system. The damper should be on the cold air side of the thermal break. The thermal break should be as close as possible to where the vent system enters the heated portion of the house.

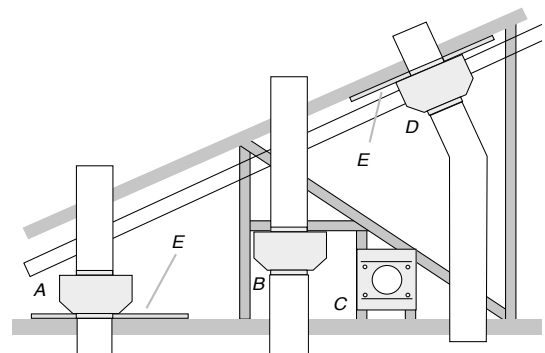
Typical In-line Blower System Installations

A 8" (20.32 cm) - 10" (25.4 cm) round vent system is needed for installation (not included). The in-line blower system inlet and outlet openings are 8" (20.32 cm) - 10" (25.4 cm) round. The exhaust (outlet) opening on the range hood must also be 8" (20.32 cm) - 10" (25.4 cm) round.

NOTE: Flexible vent is not recommended. Flexible vent creates back pressure and air turbulence that greatly reduce performance.

The vent system can terminate either through the roof or wall.

NOTE: Plywood may be used as a mounting base to span open areas between ceiling joists and rafters. If used, be sure to use plywood capable of supporting the weight of the in-line blower system (50 lb [22.6 kg]).



- A. Mount on top of ceiling joists.
- B. Mount from cross-members tied to trusses.
- C. Duct horizontal; mount to cross-members tied to trusses.
- D. Mount on underside of roof rafters.
- E. Plywood

Electrical Requirements

Observe all governing codes and ordinances.

Ensure that the electrical installation is adequate and in conformance with National Electrical Code, ANSI/NFPA 70 (latest edition), or CSA Standards C22.1-94, Canadian Electrical Code, Part 1 and C22.2 No. 0-M91 (latest edition) and all local codes and ordinances.

If codes permit and a separate ground wire is used, it is recommended that a qualified electrician determine that the ground path is adequate.

A copy of the above code standards can be obtained from:

National Fire Protection Association
One Batterymarch Park
Quincy, MA 02269
CSA International
8501 East Pleasant Valley Road
Cleveland, OH 44131-5575

- A 120 volt, 60 Hz., AC only, 15-amp, fused electrical circuit is required.

- If the house has aluminum wiring, follow the procedure below:
 - 1 Connect a section of solid copper wire to the pigtail leads.
 - 2 Connect the aluminum wiring to the added section of copper wire using special connectors and/or tools designed and UL listed for joining copper to aluminum.

Follow the electrical connector manufacturer's recommended procedure. Aluminum/copper connection must conform with local codes and industry accepted wiring practices.

- Wire sizes and connections must conform with the rating of the appliance as specified on the model/serial rating plate. The model/serial plate is located behind the kit on the rear wall.
- Wire sizes must conform to the requirements of the National Electrical Code, ANSI/NFPA 70 (latest edition), or CSA Standards C22.1-94, Canadian Electrical Code, Part 1 and C22.2 No. 0-M91 (latest edition) and all local codes and ordinances.

INSTALLATION INSTRUCTIONS

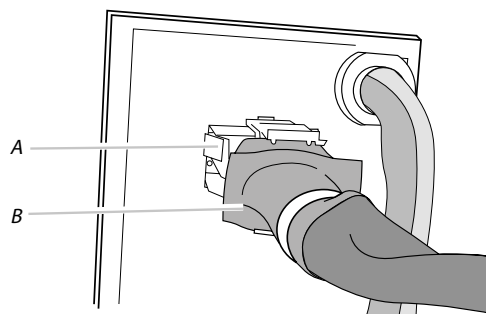
Prepare Location

- Before making cutouts, make sure there is proper clearance within the ceiling or wall for the exhaust vent.
- When cutting or drilling into the ceiling or wall, do not damage electrical wiring or other hidden utilities.
- Check that all installation parts have been removed from the shipping carton.

NOTE: For the correct performance of your In-Line Blower System you must remove the Range Hood Internal Motor Blower.

Remove Range Hood Internal Motor Blower

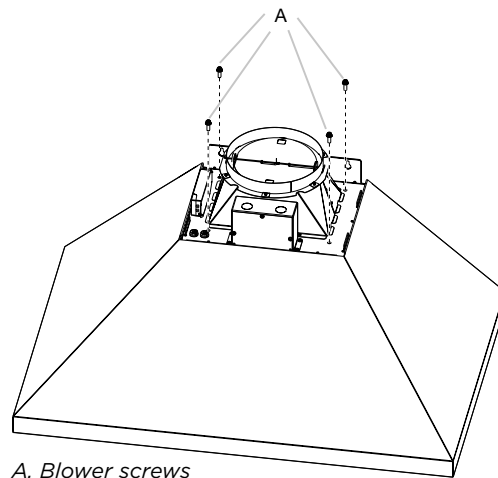
- 1 Remove grease filters from range hood.
- 2 Disconnect the blower power cord from the wire box.



A. Wire box connector
B. Power cord

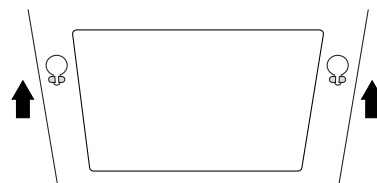
A. For single Blower Motor Models (ECL630S4, EVV636S1, EVV648S1, EVI642S1, EVI648S1, ELN630S2, EAR628S4)

- 1 Remove the blower mounting screws.
NOTE: for ELN630S2 range hood model you have to remove the blower mounting screws from the top of the hood housing.

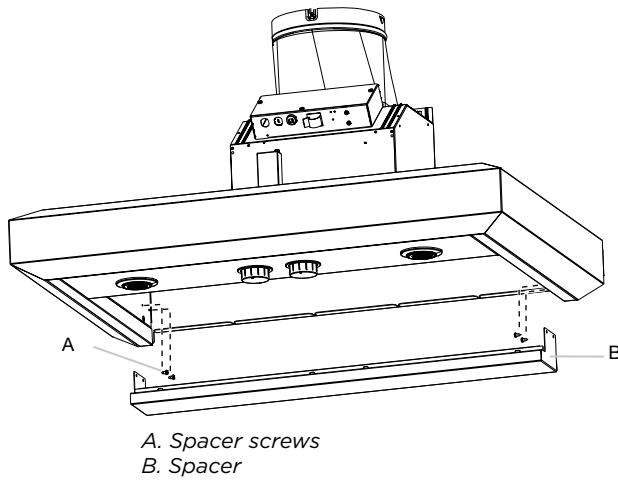
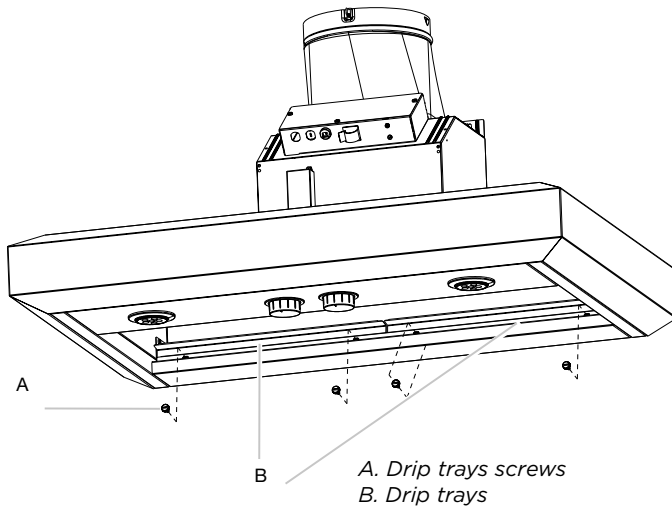


A. Blower screws

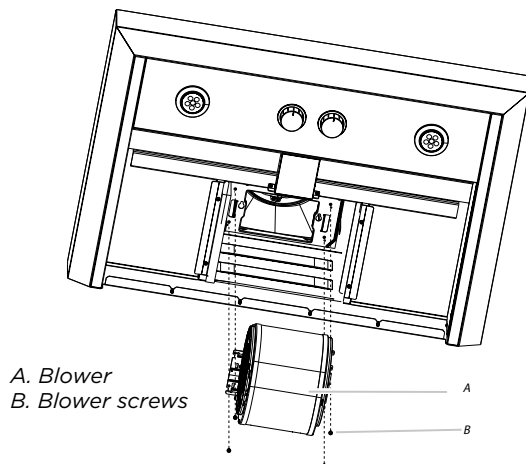
- 2 Set free the two blower springs from the top of the range hood housing.



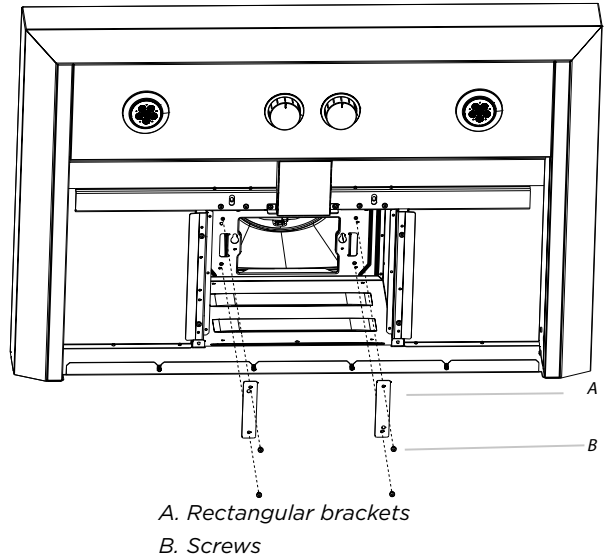
- 3 For or EVV648S1, EVV636S1 range hood models you have to remove the spacer and the dip trays before removing the internal motor blower.



- 4 Remove the range hood internal motor blower.

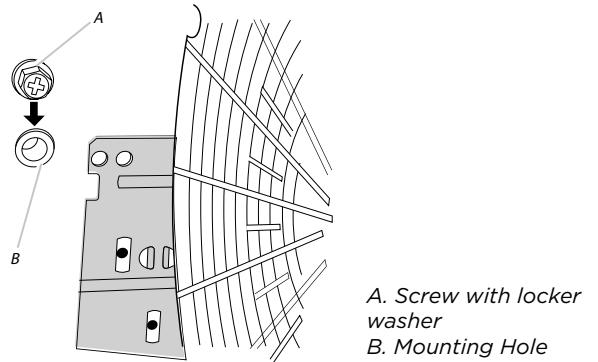


- 5 Install the rectangular brackets (included in kit) with screws (4) 4.2x8 mm.
- 6 Install the spacer, dip trays and grease filters.

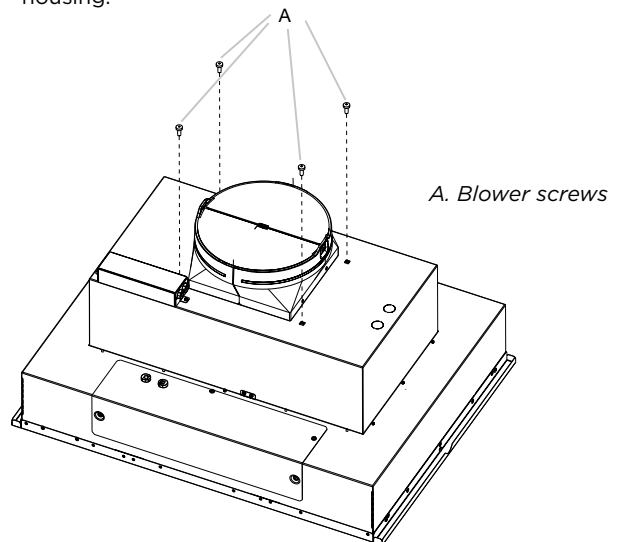


B. For dual Blower Motor Models (ECL136S4, ECL142S4, ECL148S4, ELI142S2, ELI136S2, ETR134S1, EAR140S4, EAR146S4, EAR134S4, ELN136S2, ELN142S2, ELN148S1)

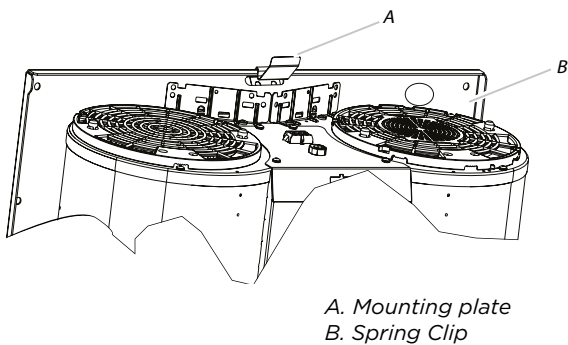
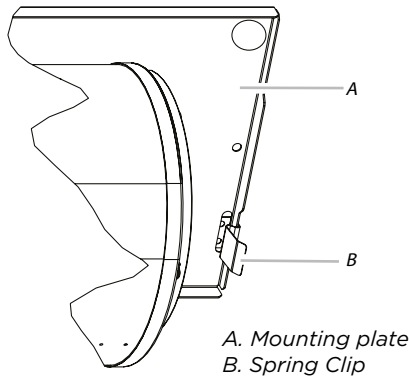
- 1 Remove the filters, the mounting screws and lock washers.



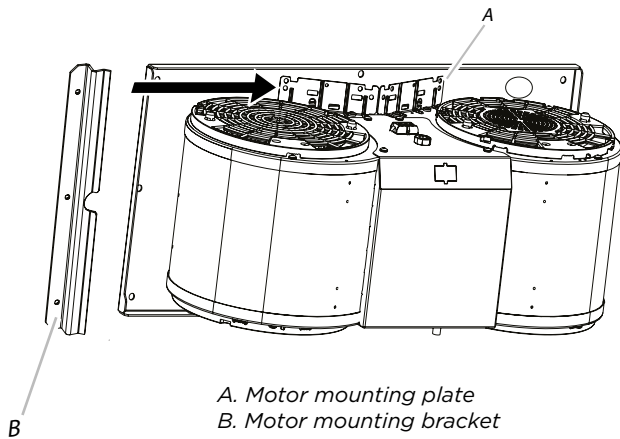
- 2 For ELN136S2, ELN142S2, ELI136S2, ELI142S2, EAR134S4 range hood models you have to remove the blower mounting screws from the top of the hood housing.



- Remove the motor mounting plate by setting free the spring clip. **NOTE:** The spring clip should be outside the slot in the mounting plate.



- Run out the power supply wires and connector through the hole in the right end of the motor mounting plate.
- Slide out the left mounting plate from under the motor mounting bracket.



- Install the grease filters.

Prepare for Mounting the In-Line Blower System

The In-Line Blower System must be fastened to a secure structure of the roof, ceiling, wall, floor, or new or existing frame construction. The 4 holes on either the inlet (bottom) side or the outlet (top) side of the blower must be used to mount the in-line blower system to the structure.

NOTE: The mounting hole locations must span the studs. Additional stud framing may be required. Plywood may be used to span open areas between ceiling joists or roof rafters to aid installation. This structure must be strong enough to support the weight of the in-line blower system (50 lb [22.6 kg] min).

Prepare the In-line Blower System

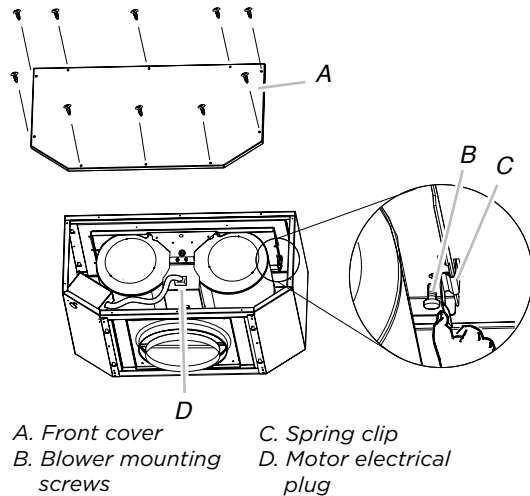
⚠WARNING

Excessive Weight Hazard

Use two or more people to move and install range hood. Failure to do so can result in back or other injury.

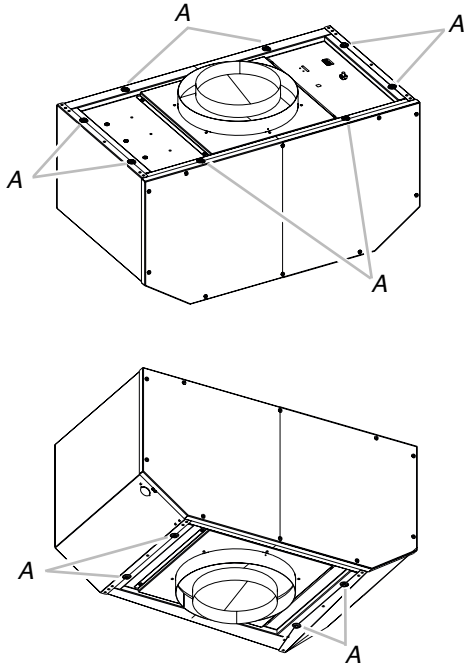
- Disconnect power.
- Determine which venting method to use: roof or wall exhaust.
- Using two or more people, move the in-line blower motor system to the mounting location.
- Remove the 10 screws from the front cover of the in-line blower motor housing and set them aside.
- Remove the front cover of the in-line blower motor housing and set it aside.

NOTE: To make the in-line blower motor housing easier to mount, the blower motor assembly can be removed.
- Disconnect the motor electrical plug from the blower motor assembly.
- Remove the screws that secure the blower motor assembly to the in-line blower housing and set them aside.
- Pull the spring clip to release the blower motor assembly. Remove the blower motor assembly from the housing and place it on a covered surface.



Install In-Blower System

NOTE: The blower motor housing can be mounted using 4 holes from either the inlet side or the outlet side of the blower.

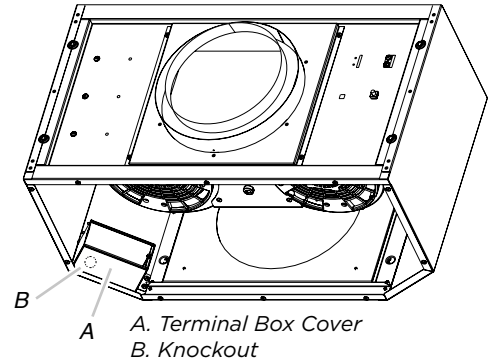


A. Mounting holes

- 1 Position the in-line blower motor housing in its mounting location and mark the 4 mounting hole locations.
- 2 Drill 4 mounting pilot holes using a $\frac{3}{16}$ " (0.5 cm) drill bit.
- 3 Attach the in-line blower motor housing to the mounting location with mounting (4) 6.3x60 mm screws and (4) 4x1.8 washers (Parts are included with the range hood motor kit)
- 4 If removed, reinstall the blower motor assembly and secure it with the screws previously removed.
- 5 If removed, reattach the motor electrical plug to the connector on the blower motor assembly.

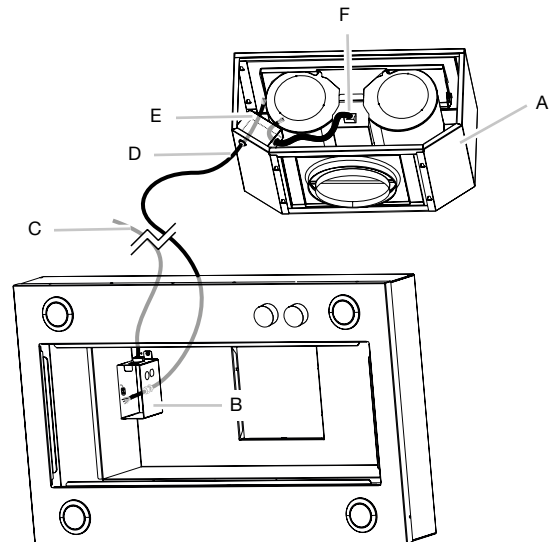
Complete Preparation

- 1 Determine and make all necessary cuts for the vent system. **IMPORTANT:** When cutting or drilling into the ceiling or wall, do not damage electrical wiring or other hidden utilities.
- 2 Determine the location where the $\frac{1}{2}$ " (1.3 cm) wiring conduit will be routed through the ceiling or wall between the in-line blower and the range hood.
- 3 Drill a $1\frac{1}{4}$ " (3.2 cm) hole at this location.
- 4 Locate the electrical terminal boxes in the in-line blower housing and range hood. Remove the terminal box covers and set the covers and screws aside.



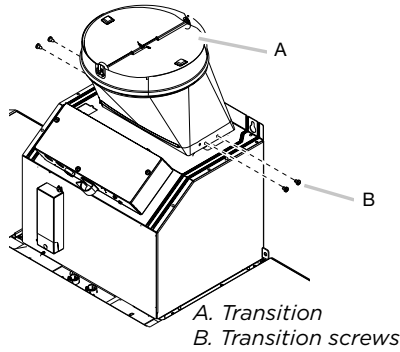
A. Terminal Box Cover
B. Knockout

- 5 Remove the electrical knockout from the in-line blower housing and range hood (see the range hood installation instructions) to prepare for the installation of the UL listed or CSA approved $\frac{1}{2}$ " (1.3 cm) wiring conduit and conduit connector.
- 6 With the range hood mounted (see the range hood installation instructions), run the $\frac{1}{2}$ " (1.3 cm) wiring conduit between the in-line blower motor housing and the range hood. Pull enough $\frac{1}{2}$ " wiring conduit to allow for easy connection to the terminal boxes in the in-line blower housing and range hood.

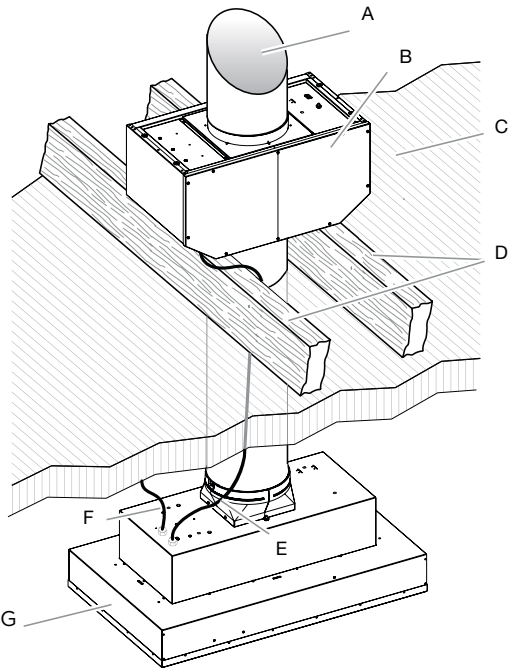


A. In-Line Blower Kit
B. Range Hood Terminal Box
C. Power Supply wiring Conduit
D. In-Line Blower Wiring Conduit (not included)
E. In-Line Blower Terminal Box
F. In-Line Motor Electrical Plug Cable

7 If necessary remove the range hood transition.



- 8 Install the conduit connectors and conduit to the in-line blower housing and range hood electrical terminal boxes.
NOTE: If removed, install the range hood transition.
- 9 Connect the vent system to the range hood and in-line blower system and seal all joints with clamps.



- A. Vent System
B. In line Blower Motor
C. Ceiling
D. Roof rafters/ Plywood
E. In line Blower Wiring Conduit (not included)
F. Power Supply Wiring Conduit
G. Hood Insert

Make Electrical Connection for In-Line Blower Motor System

⚠️WARNING

Electrical Shock Hazard
Disconnect power before servicing.
Replace all parts and panels before operating.
Failure to do so can result in death or electrical shock.

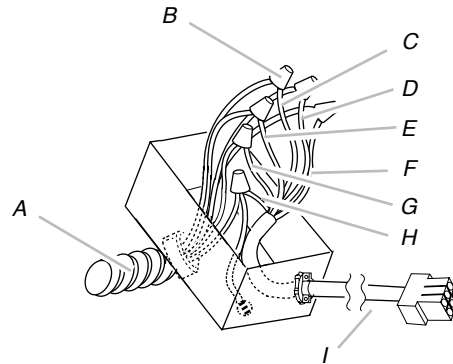
⚠️WARNING

Electrical Shock Hazard
Electrically ground blower.
Connect ground wire to green and yellow ground wire in terminal box.
Failure to do so can result in death or electrical shock.

NOTE: The electrical diagram is attached at the end of the document.

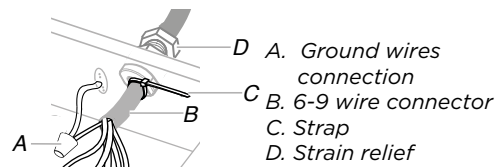
Electrical Connection Inside In-line Blower System

- 1 Disconnect power.
- 2 Connect the wires from the wiring conduit to the wires from the motor electrical plug cable inside the in-line blower housing terminal box.
- 3 Use UL listed wire connectors and connect the black wires (C) together.
- 4 Use UL listed wire connectors and connect the white wires (D) together.
- 5 Use UL listed wire connectors and connect the red wires (E) together.
- 6 Use UL listed wire connectors and connect the blue wires (F) together.
- 7 Use UL listed wire connectors and connect the gray wires (G) together.
- 8 Connect the green (or green/yellow) ground wire from the wiring conduit to the green (or yellow/green), ground wire (H) in the terminal box using UL listed wire connectors.



- A. Strain relief
B. UL listed wire connectors
C. Black wires
D. White wires
E. Red wires
F. Blue wires
G. Gray wires
H. Green (or yellow/green) and green / yellow wires
I. Motor electrical plug cable

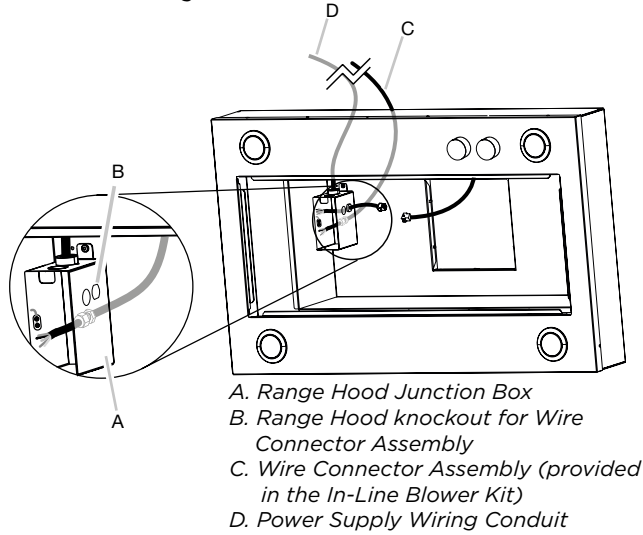
- 9 Once the connection is done, is necessary to adjust the 9-6 wire connector with the included strap.



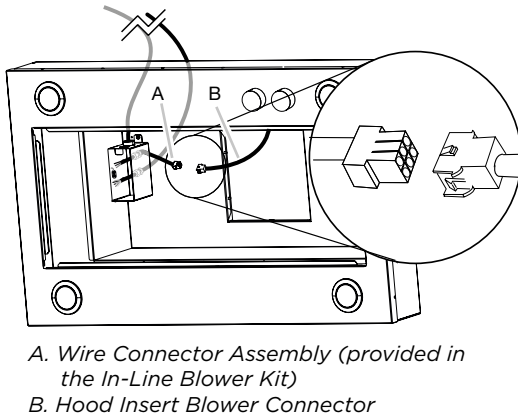
- 10 Reinstall the in-line blower terminal box cover and screws.
11 Reinstall the front cover of the in-line blower housing and secure it with 10 mounting screws.

Make Electrical Connection Inside Range Hood Between In-Line Blower System and Range Hood

- 1 With the range hood mounted (see the range hood installation instructions), locate the wiring cable connector inside the range hood.

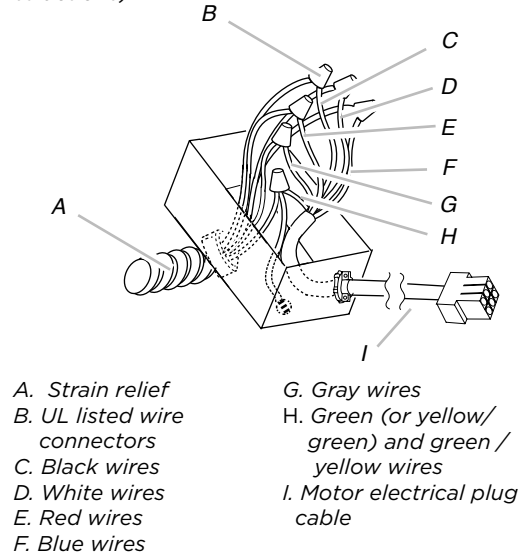


- 2 Connect the 6 wire connector assembly supplied with the in-line blower motor system to the mating connector from the range hood.



- 3 Install UL listed or CSA approved strain reliefs. Run through the strain reliefs the 6 wire connector and the In-Line Blower wiring conduit (not included leaving enough wire length to make the wiring connections).
- 4 Tighten the strain relief screws.
- 5 Connect the wires from the 6-wire connector assembly to the wires from the wiring conduit inside the range hood terminal box.

NOTE: Connect the green (or green/yellow) ground wire from the wiring conduit to the green (or bare) ground wire from the home power supply and to the and to the green/yellow ground wire from the 6-wire connector assembly (H) using UL listed wire connectors (see the “Make Electrical Power Supply Connections to Range Hood” section in the range hood installation instructions).

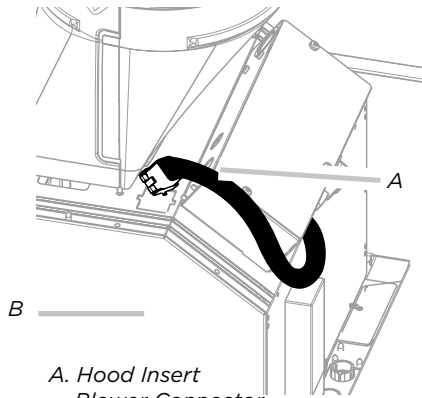


- 6 Connect the home power supply wiring to the range hood following the instructions that are supplied with the range hood.
- 7 Reinstall the range hood terminal box cover.
- 8 Reconnect power.

NOTE: For the Range Hood Models EVV636S1, EVV648S1, EVI642S1, EVI648S1 follow the next instructions.

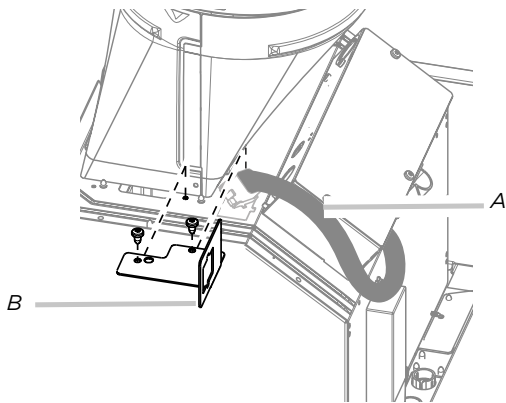
NOTE: For the Range Hood Models EVV636S1, EVV648S1, EVI642S1, EVI648S1 use de 9 wire connector assembly and the 15.9mm strain relief.

- 1 With the range hood mounted (see the range hood installation instructions), locate the wiring cable connector inside the range hood.
- 2 Disconnect the Hood Insert Blower Connector.



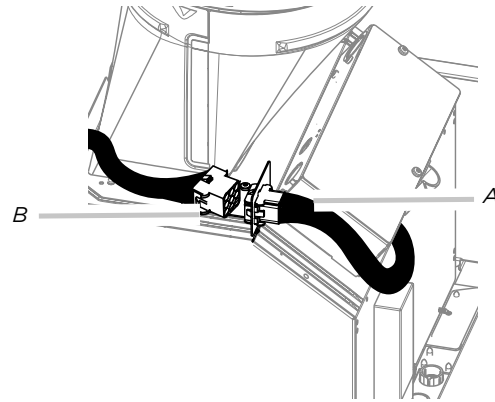
A. Hood Insert Blower Connector
B. Hood Smart

- 3 Install the connector support bracket with screws (2)4.2x8mm included in kit; put the hood blower connector in the cavity of the bracket.



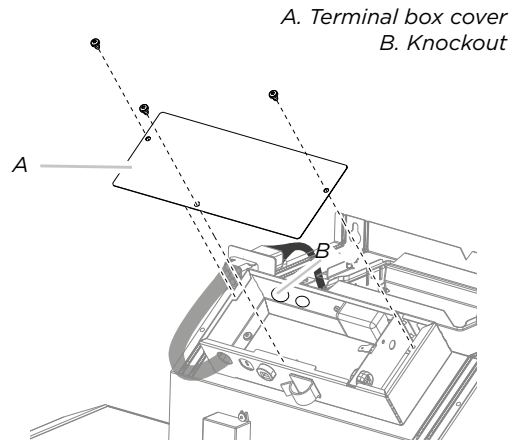
A. Hood Blower Connector
B. Connector support bracket

- 4 Connect the 9-wire connector assembly supplied with the in-line blower motor system to the mating connector from the range hood.



A. Hood Insert Blower Connector
B. 9 Wire Connector

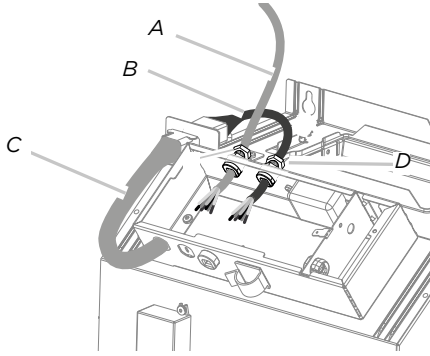
- 5 Remove the screws and cover of the hood terminal box.
- 6 Remove the knockout from the top of the hood terminal box .



A. Terminal box cover
B. Knockout

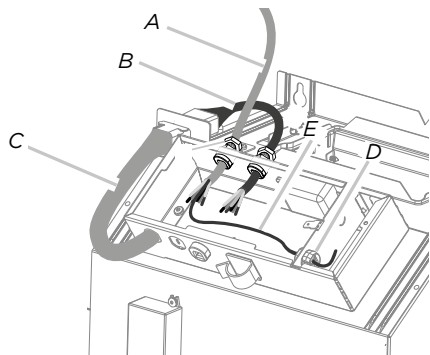
- 7 Install UL listed or CSA approved strain reliefs. Run through the strain reliefs the 9 wire connector and the In-Line Blower wiring conduit (not included leaving enough wire length to make the wiring connections).

8 Tighten the strain relief screws.



- A. In-Line Blower wiring conduit (not included)
- B. 6-9 wire connector
- C. Hood Insert Blower Connector
- D. Strain reliefs

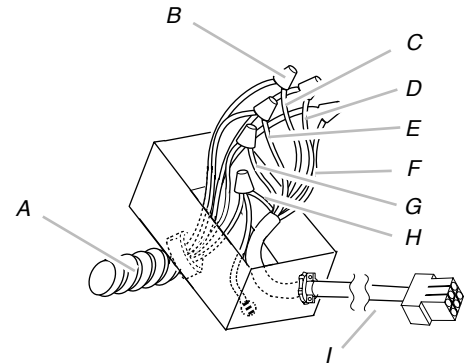
9 Remove the strain relief of the Range Hood terminal box, and run through the green (or green/yellow) ground wire from the wiring conduit. Install and tighten the removed strain relief.



- A. In-Line Blower wiring conduit (not included)
- B. 6-9 wire connector
- C. Hood Insert Blower Connector
- D. Range Hood strain relief
- E. Strain relief

10 Connect the wires from the 9-wire connector assembly to the wires from the wiring conduit inside the range hood terminal box.

11 Connect the same color wires to each other (black to black, white to white, etc.) using UL listed wire connectors. **NOTE:** Connect the green (or green/yellow) ground wire from the wiring conduit to the green (or bare) ground wire from the home power supply and to the and to the green/yellow ground wire from the 9-wire connector assembly (H) using UL listed wire connectors (see the "Make Electrical Power Supply Connections to Range Hood" section in the range hood installation instructions).



- A. Strain relief
- B. UL listed wire connectors
- C. Black wires
- D. White wires
- E. Red wires
- F. Blue wires
- G. Gray wires
- H. Green (or yellow/green) and green / yellow wires
- I. Motor electrical plug cable

- 12 Connect the home power supply wiring to the range hood following the instructions that are supplied with the range hood.
- 13 Reinstall the range hood terminal box cover.
- 14 Reconnect power.

ELICA North America

TWO-YEAR LIMITED WARRANTY

Register your product in

elica.com

and earn a 3rd year of factory warranty, covering all parts plus in-home labor.

TO OBTAIN SERVICE UNDER WARRANTY

Owner must present proof of original purchase date. Please keep a copy of your dated proof of purchase (sales slip) in order to obtain service under warranty.

PARTS AND SERVICE WARRANTY

For the period of two (2) years from the date of the original purchase, Elica will provide free of charge, non consumable parts or components that failed due to manufacturing defects. During these two (2) years limited warranty, Elica will also provide free of charge, all labor and in-home service to replace any defective parts.

WHAT IS NOT COVERED

- Damage or failure to the product caused by accident or act of God, such as, flood, fire or earthquake.
- Damage or failure caused by modification of the product or use of non-genuine parts.
- Damage or failure to the product caused during delivery, handling or installation.
- Damage or failure to the product caused by operator abuse.
- Damage or failure to the product caused by dwelling fuse replacement or resetting of circuit breakers.
- Damage or failure caused by use of product in a commercial application.
- Service trips to dwelling to provide use or installation guidance.
- Light bulbs, metal or carbon filters and any other consumable part.
- Normal wear of finish.
- Wear to finish due to operator abuse, improper maintenance, use of corrosive or abrasive cleaning products/pads and oven cleaner products.

WHO IS COVERED

This warranty is extended to the original purchaser for products purchased for ordinary residential use in North America (Including the United States, Guam, Puerto Rico, US Virgin Islands & Canada).

This warranty is non-transferable and applies only to the original purchaser and does not extend to subsequent owners of the product. This warranty is made expressly in lieu of all other warranties, expressed or implied, including, but not limited to any implied warranty of merchantability or fitness for a particular purpose and all other obligations on the part of Elica North America, provided, however, that if the disclaimer of implied warranties is ineffective under applicable law, the duration of any implied warranty arising by operation of law shall be limited to two (2) years from the date of original purchase at retail or such longer period as may be required by applicable law.

This warranty does not cover any special, incidental and/or consequential damages, nor loss of profits, suffered by the original purchaser, its customers and/or the users of the Products.

WHO TO CONTACT

To obtain service under warranty or for any service related question:

- Elica North America Service, call at 1 888 732 8018
- For Eastern Canada, call AGI Services at 1 888 651 2534 Ask for the service department
- elica@servicepower.com

Contents

Avis de sécurité important.....	17
Exigences D'installation	18
Outils et pièces	18
Exigences d'emplacement.	19
Dimensions du Produit	19
Exigences concernant évacuation	19
Spécifications électriques	20
Instructions d'installation	21
Préparation de l'emplacement	21
Installer le Système de Soufflante en Ligne	23
Faire le Raccordement Électrique pour le Système de Moteur de Soufflante en Ligne	25
Raccordement électrique à l'intérieur de la hotte de cuisine entre un Système de Soufflante en ligne et une hotte de cuisinière	25
GARANTIE	28
SCHÉMA DE CÂBLAGE.....	43

**APPROUVÉ POUR LES APPAREILS DE TYPE RÉSIDENTIEL
POUR UNE UTILISATION RÉSIDENTIELLE SEULEMENT
LISEZ CES INSTRUCTIONS ET CONSERVEZ-LES**

**VEUILLEZ LIRE CES INSTRUCTIONS AU COMPLET AVANT DE COMMENCER.
L'INSTALLATION DE L'APPAREIL DOIT RESPECTER TOUS LES CODES EN VIGUEUR.**

IMPORTANT : Conservez ces instructions afin de pouvoir les remettre à l'inspecteur-électricien de votre région.

INSTALLATEUR : Veuillez laisser ces instructions avec l'appareil pour le propriétaire.

PROPRIÉTAIRE : Veuillez conserver ces instructions pour pouvoir vous y référer plus tard.

Avertissement de sécurité : Coupez l'alimentation du circuit dans le panneau électrique et verrouillez le panneau avant de raccorder les fils de cet appareil.

Exigence : 120 V c.a., 60 Hz circuit de dérivation de 15 V c.a., 20 Hz, de 15 ou 20 A.

⚠ AVIS DE SÉCURITÉ IMPORTANT

⚠ ATTENTION

UTILISER CET APPAREIL À DES FINS DE VENTILATION GÉNÉRALE SEULEMENT. NE PAS UTILISER CET APPAREIL POUR ÉVACUER DES MATÉRIAUX OU DES VAPEURS DANGEREUX OU EXPLOSIFS.

⚠ AVERTISSEMENT

POUR RÉDUIRE LES RISQUES D'INCENDIE, DE CHOC ÉLECTRIQUE ET DE BLESSURE, RESPECTER LES DIRECTIVES SUIVANTES:

- A. Utiliser cet appareil uniquement aux fins prévues par le fabricant. Si vous avez des questions à propos de l'appareil, communiquez avec le fabricant.
- B. Avant de faire l'entretien de l'appareil ou de le nettoyer, coupez l'alimentation dans le panneau électrique et verrouillez le panneau en bloquant le dispositif permettant d'empêcher d'activer l'alimentation accidentellement. S'il n'est pas possible de verrouiller l'accès au panneau, fixez une étiquette très voyante au panneau électrique.
- C. Une personne qualifiée doit effectuer l'installation et le câblage des fils électriques en conformité avec tous les codes et toutes les normes, y compris la cote de résistance au feu.
- D. Il est important de prévoir suffisamment d'air pour assurer une bonne combustion de l'équipement de chauffe et l'évacuation adéquates des gaz par le conduit de cheminé afin de prévenir les refoulements d'air. Respectez les directives et les normes de sécurité des fabricants de l'équipement de chauffage, comme celles publiées par la National Fire Protection Association (NFPA), la American Society for Heating, Refrigeration and Air Conditioning Engineers (ASHRAE) et le code des autorités de votre région.
- E. Au moment de couper ou de percer un mur ou un plafond, assurez-vous de ne pas endommager la filerie électrique ou tout autre accès à un service public.
- F. Il faut toujours évacuer à l'extérieur les systèmes conduit.

⚠ ATTENTION

Pour réduire les risques d'incendie et évacuer l'air correctement, assurez-vous que le conduit mène à l'extérieur; il ne faut pas évacuer l'air dans l'espace entre les murs, dans les plafonds, dans les greniers, les vides sanitaires ou les garages.

⚠ AVERTISSEMENT

POUR RÉDUIRE DES RISQUES D'INCENDIE, UTILISEZ UNIQUEMENT DES CONDUITS EN MÉTAL.

Installez cette hotte en respectant toutes les exigences mentionnées.

⚠ AVERTISSEMENT

Pour réduire les risques d'incendie et de choc électrique, n'utilisez pas cette hotte avec un contrôleur de vitesse à semi-conducteurs.

⚠ AVERTISSEMENT

POUR RÉDUIRE LES RISQUES D'INCENDIE DE GRAISSE SUR LES CUISINIÈRES.

- a) Ne laissez jamais la cuisinière sans surveillance lorsqu'elle est réglée à une haute température. Les débordements par bouillonnement causent de la fumée et des débordements de gras qui peuvent s'enflammer. Faites chauffer l'huile lentement, à une température basse ou moyenne.
- b) Faites toujours fonctionner la hotte lorsque vous utilisez la cuisinière à une haute température ou que vous faites flamber des aliments (P. ex.: crêpes Suzette, cerises jubilé, boeuf au poivre flambé).
- c) Nettoyez les hélices de ventilation fréquemment. Il ne faut pas que la graisse s'accumule sur les filtres ou les hélices.
- d) Utilisez le bon format de casserole. Utilisez toujours un chaudron de taille approprié à l'élément de la cuisinière.
- e) Convient pour utilisation dans la zone de cuisson domestique.

⚠ AVERTISSEMENT

POUR ÉVITER DE BLESSER QUELQU'UN LORS D'UN INCENDIE DE GRAISSE SUR LA CUISINIÈRE, SUIVRE LES CONSEILS SUIVANTS:^a

- a) ÉTOUFFER LES FLAMMES avec un couvercle aux dimensions de la taque de cuisson, une tôle à biscuit ou tout autre plateau métallique, puis couper le gaz ou l'alimentation électrique de la cuisinière. FAIRE ATTENTION A NE PAS SE BRÛLER. Si les flammes ne s'éteignent pas immédiatement, QUITTER LA PIÈCE ET APPELER LES POMPIERS.
- b) NE JAMAIS PRENDRE EN MAIN UNE CASSEROLE N FEU, vous pourriez vous blesser.
- c) NE PAS UTILISER D'EAU, y compris les essuies de vaisselle ou les serviettes humides – une violente explosion due à la vapeur formée pourrait survenir.
- d) Utiliser un extincteur SEULEMENT si:
 - 1) Vous êtes sûr d'avoir un extincteur de classe ABC que vous savez utiliser.
 - 2) Le feu est petit et confiné à la zone où il s'est formé.
 - 3) Les pompiers ont été appelés.
 - 4) Vous pouvez lutter contre le feu avec une sortie derrière vous.

a Recommandations tirées des conseils de sécurité en cas d'incendie de cuisine publiés par la NFPA.

⚠ AVERTISSEMENT

Pour réduire les risques d'incendie, de choc électrique et de blessure des personnes, le kit, modèle KITO154387, doit être installé avec les hottes de cuisinières suivantes. Les autres fourchettes ne peuvent pas être substituées:

ECL630S4, ECL136S4, ECL142S4, ECL148S4, EVV636S1
EVL648S1, EVI642S1, EVI648S1, ELN630S2,
ELN136S2, ELN142S2, ELN148S1, ELI142S2, ELI136S2,
ETR134S1, EAR140S4, EAR146S4, EAR628S4, EAR134S4.

EXIGENCES D'INSTALLATION

Outils et pièces

Rassembler les outils et composants nécessaires avant d'entreprendre l'installation. Lire et observer les instructions fournies avec chacun des outils de la liste ci-dessous.

Outils nécessaires

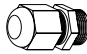



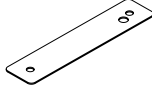
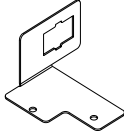





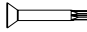
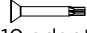

- Perceuse
- Foret de 1/4" (3 cm)
- Foret de 3/16" (0,5 cm)
- Crayon
- Pince à dénuder ou couteau utilitaire
- Mètre-ruban ou règle
- Pince
- Pistolet à calfeutrage et composé de calfeutrage résistant aux intempéries
- Brides de conduit
- Scie sauteuse ou scie à guichet
- Tournevis à lame plate
- Cisaille de ferblantier
- Tournevis Phillips

Pièces nécessaires

- 6-9 conducteurs de calibre 18 AWG de chacune des couleurs suivantes : noir, blanc, rouge, bleu, gris et vert ou vert/jaune (terre). **REMARQUE:** La longueur du conduit et des câbles AWG est terminée par la distance entre le moteur du ventilateur interne et les boîtiers de raccordement de la hotte.
- 11 connecteurs de fils homologués UL

Pièces fournies

Retirer les pièces de leur emballage. Vérifier que toutes les pièces sont présentes.

		
Décharge de traction connector		2
		
4.2x8 mm vis de montage		6
		
6 -Câble de prise		1
		
4x1.8 mm rondelles plates		4
		
Supports rectangulaires Moteur cover		2
		
Support de connecteur		1
		
6.3x60 mm vis de montage		4
		
9 -Câble de prise		1
Décharge de traction		
 		
Ø 12 mm Ø 15.9 mm		1
		
6x13.5 mm		2
		
Torx 20 adaptateur		1
		
Torx 10 adaptateur		1
		
Sangle 2.5x95 mm		2

Exigences d'emplacement

IMPORTANT: Observer les dispositions de tous les codes et règlements en vigueur.

Recourir à un technicien qualifié pour installer le système de ventilation interne.

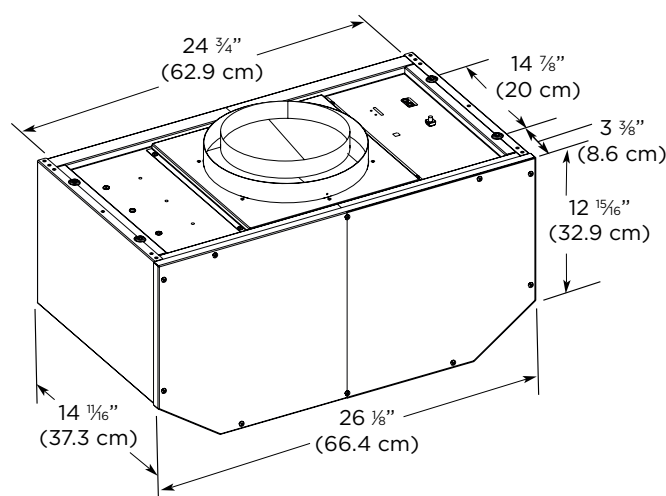
Assurer l'étanchéité au niveau de chaque ouverture découpée dans le plafond ou le mur pour l'installation du système de ventilation interne.

Installation dans une résidence mobile

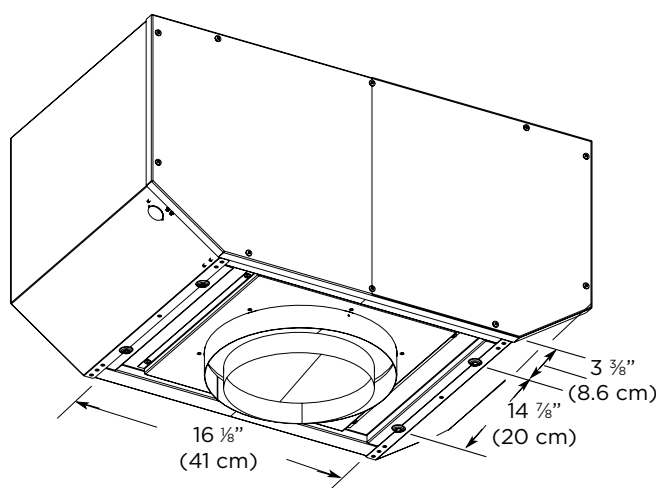
L'installation de ce système de ventilation interne doit satisfaire aux exigences de la norme Manufactured Home Construction Safety Standards, Titre 24 CFR, partie 328 (anciennement Federal Standard for Mobile Home Construction and Safety, titre 24, HUD, partie 280) ; lorsque cette norme n'est pas applicable, l'installation doit satisfaire aux critères de la plus récente édition de la norme Manufactured Home Installation 1982 (Manufactured Home Sites, Communities and Setups) ANSI A225.1/NFPA 501A*, ou des codes et règlements locaux.

Dimension du produit

VUE DE DESSUS (SORTIE)



VUE DE DESSOUS (ENTRÉE)



Exigences concernant l'évacuation

- Le système d'évacuation doit décharger l'air à l'extérieur.
- Ne pas terminer le circuit d'évacuation dans un grenier ou dans un autre espace clos.
- Ne pas utiliser une bouche de décharge murale de 4" (10,2 cm) normalement utilisée pour un équipement de buanderie.
- Utiliser un conduit métallique cylindrique uniquement. Un conduit en métal rigide est recommandé. Ne pas utiliser de conduit en plastique ou aluminium.
- La longueur du conduit de décharge et le nombre de coudes doivent être réduits au minimum pour obtenir les meilleurs résultats.

Pour un fonctionnement efficace et silencieux :

- Ne pas utiliser plus de trois coudes à 90°.
- Veiller à ce qu'il y ait une section droite de conduit d'un minimum de 24" (61 cm) entre les raccords coudés, si on doit en utiliser plus d'un.
- Ne pas installer 2 coudes successifs.
- Au niveau de chaque jointure du circuit d'évacuation, assurer l'étanchéité avec les brides de serrage.
- Le circuit d'évacuation doit comporter un clapet anti-re flux.
- À l'aide d'un produit de calfeutrage, assurer l'étanchéité autour de la bouche de décharge à l'extérieur (à travers le mur ou le toit).
- Le diamètre du conduit doit être uniforme.

Installations pour régions à climat froid

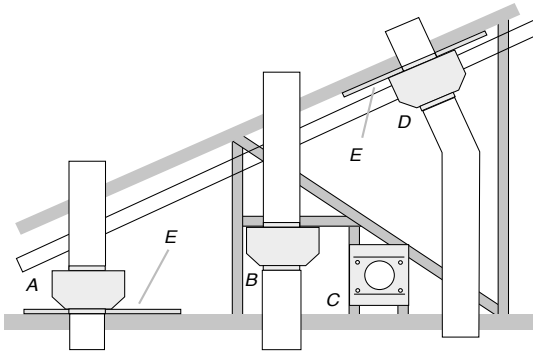
On doit installer un clapet anti-retour supplémentaire à l'arrière pour minimiser le reflux d'air froid et incorporer une résistance thermique pour minimiser la conduction des températures extérieures par le conduit d'évacuation. Le clapet anti-retour doit être placé du côté air froid de la résistance thermique. La résistance thermique doit être le plus près possible de l'entrée du circuit d'évacuation dans la partie chauffée de la maison.

Installations typiques d'un système de ventilation interne

Un circuit d'évacuation en conduit rond de 8" (20,32 cm) - 10" (25,4 cm) est nécessaire pour l'installation (non fourni). Les ouvertures d'entrée et de sortie du système de ventilation interne ont un diamètre de 8" (20,32 cm) - 10" (25,4 cm). L'ouverture de décharge (sortie) sur la cuisinière doit également mesurer 8" (20,32 cm) - 10" (25,4 cm) de diamètre.

REMARQUE : On déconseille l'emploi d'un conduit flexible. Un conduit flexible peut causer une contre-pression et des turbulences d'air, qui réduisent considérablement la performance. La sortie à l'extérieur du circuit d'évacuation peut se faire à travers le toit ou un mur.

REMARQUE : Il est possible d'utiliser du contreplaqué comme base de montage dans les zones ouvertes entre solives et chevrons. Dans un tel cas, veiller à utiliser du contreplaqué capable de supporter le poids du système de ventilation interne (50 lb [22,6 kg]).



- A. Montage au-dessus des solive
- B. Montage sur traverses de ferme
- C. Conduit horizontal, montage sur traverses de ferme
- D. Montage sous les chevrons
- E. Contreplaqué

Observer les dispositions de tous les codes et règlements en vigueur. Vérifier que l'installation électrique a été correctement effectuée et qu'elle est conforme aux spécifications de la plus récente édition des normes National Electrical Code, ANSI/NFPA 70, ou de la norme CSA C22.1-94, Code canadien de l'électricité, partie 1 et C22.2 N° 0-M91 (dernière édition) et de tous les codes et règlements en vigueur locaux. Si les codes le permettent et si on utilise un conducteur distinct de liaison à la terre, il est recommandé qu'un électricien qualifié vérifie la qualité de la liaison à la terre. Pour obtenir un exemplaire de la norme des codes ci-dessus, contacter :

National Fire Protection Association
 One Batterymarch Park
 Quincy, MA 02269
 CSA International
 8501 East Pleasant Valley Road
 Cleveland, OH 44131-5575

- L'appareil doit être alimenté par un circuit de 120 V, CA seulement, 60 Hz, 15 A, protégé par fusible.
 - Si le domicile est équipé d'un câblage en aluminium, suivre les instructions suivantes :
 - 1 Connecter une section de câble en cuivre massif aux conducteurs en queue de cochon.
 - 2 Connecter le câblage en aluminium à la section ajoutée de câblage en cuivre en utilisant des connecteurs et/ou des outils spécialement conçus et homologués UL pour fixer le cuivre à l'aluminium.
- Appliquer la procédure recommandée par le fabricant des connecteurs. La connexion aluminium/cuivre doit être conforme aux codes locaux et aux pratiques de câblage acceptées par l'industrie.
- Le calibre des conducteurs et les connexions doivent être compatibles avec la demande de courant de l'appareil spécifiée sur la plaque signalétique. La plaque signalétique de l'appareil est située à l'intérieur du boîtier du moteur.
 - Le calibre des conducteurs doit satisfaire aux exigences de la plus récente édition de la norme National Electrical Code, ANSI/NFPA 70, ou de la norme CSA C22.1-94, Code canadien de l'électricité, partie 1 et C22.2 n° 0-M91 (dernière édition) et de tous les codes et règlements en vigueur.

INSTRUCTIONS D'INSTALLATION

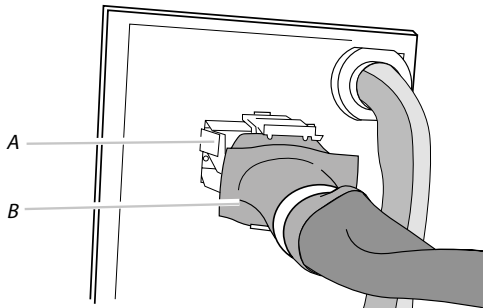
Préparation de l'emplacement

- Avant de faire des coupes, assurez-vous qu'il ya un dégagement approprié dans le plafond ou le mur pour l'évacuation.
- Lors de la coupe ou du perçage dans le plafond ou le mur, ne pas endommager le câblage électrique ni les autres utilitaires cachés.
- Vérifiez que toutes les pièces d'installation ont été retirées du carton d'emballage.

REMARQUE: Pour le bon fonctionnement de votre moteur, vous devez retirer le moteur interne de la hotte de cuisinière.

Retirer le ventilateur de moteur interne de la hotte

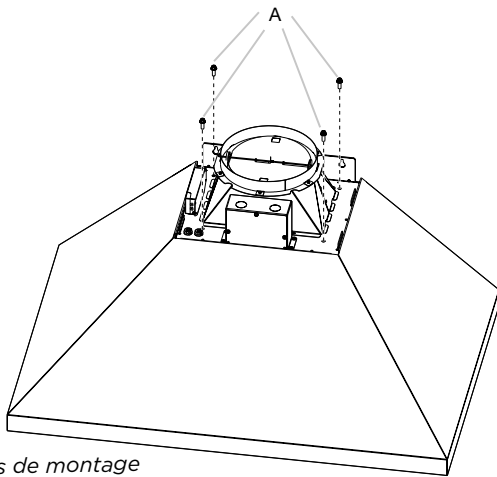
- 1 Retirez les filtres à graisse de la hotte.
- 2 Débranchez le cordon d'alimentation du ventilateur de la boîte de connexion.



A. Connecteur de boîte de fil
B. Cordon d'alimentation

A. Pour les modèles du hotte avec un seul moteur (ECL630S4, EVV636S1, EVV648S1, EVI642S1, EVI648S1, ELN630S2, EAR628S4)

- 1 Retirez les vis de montage du ventilateur.
REMARQUE: pour ELN630S2, vous devez retirer les vis du moteur de la partie supérieure de la hotte.

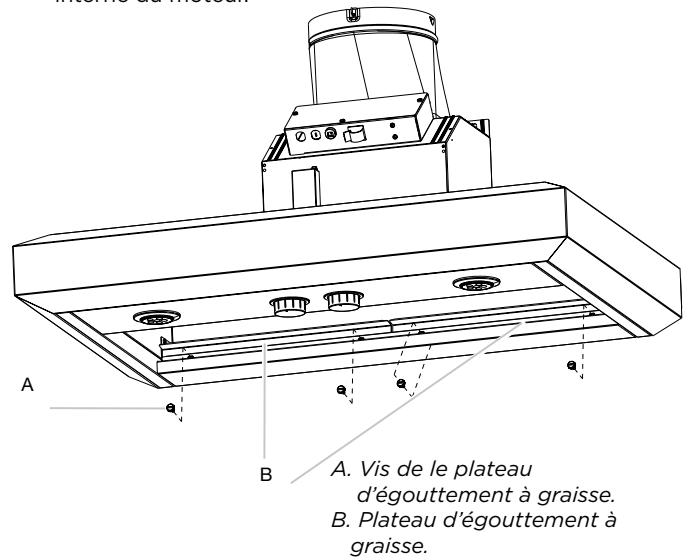


A. Vis de montage

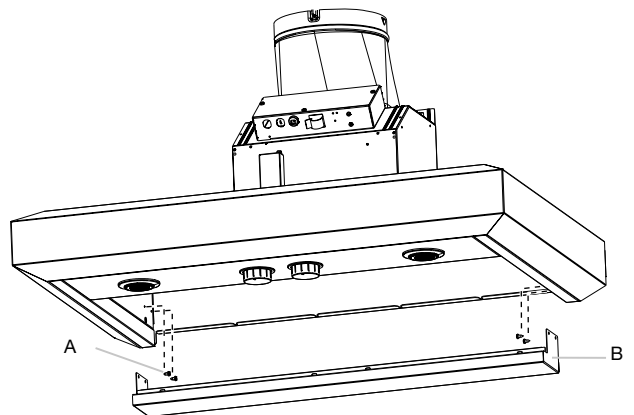
- 2 Libérer les deux clips de moteur de la partie supérieure du thotte.



- 3 Pour les modèles de hotte de cuisine EVV648S1, EVV636S1, vous devez retirer l'entretoise et les plateaux d'égouttement à graisse. avant de retirer le ventilateur interne du moteur.

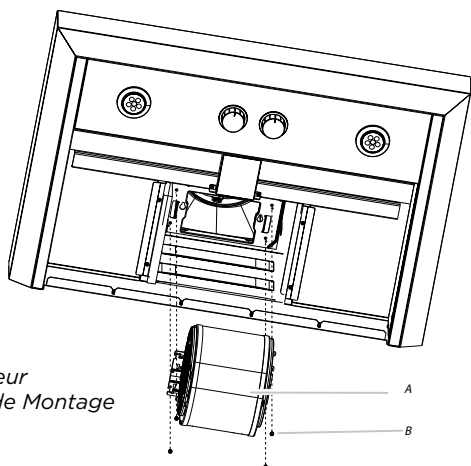


A. Vis de le plateau d'égouttement à graisse.
B. Plateau d'égouttement à graisse.



A. Vis de l'entretoise
B. L'entretoise

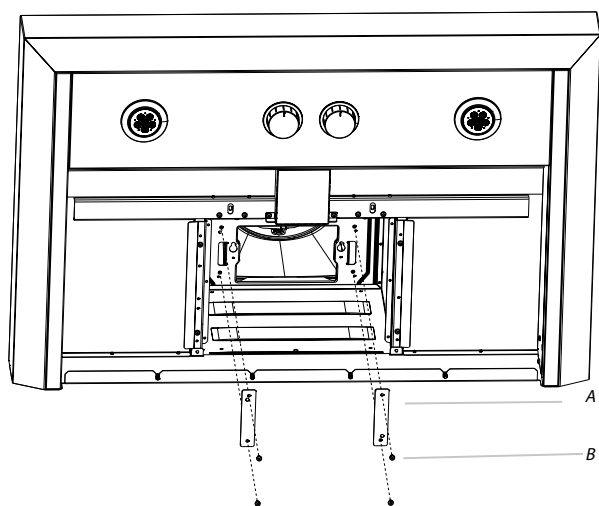
4 Retirez le ventilateur du moteur de la hotte de cuisinière.



A. Moteur
B. Vis de Montage

5 Installez les supports rectangulaires (inclus dans le kit) avec des vis (4) 4,2 x 8 mm.

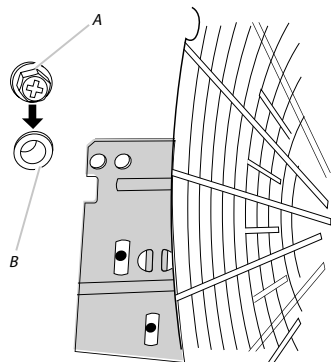
6 Installez les filtres à graisse, l'entretoise et Plateau d'égouttement à graisse.



A. Supports rectangulaires
B. Vis de montage

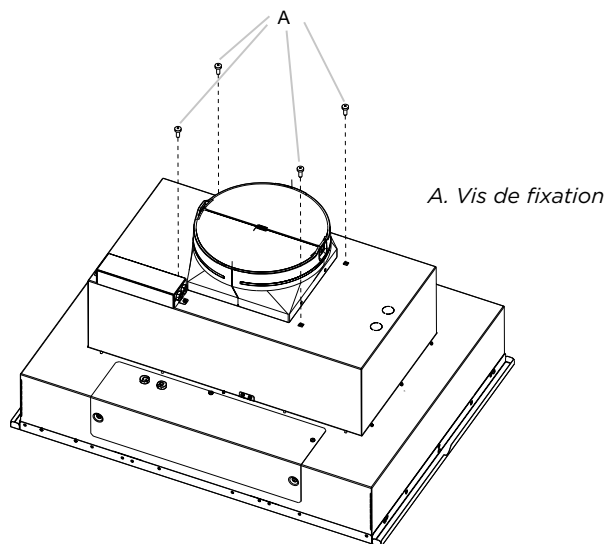
B. Pour les modèles de moteur double de soufflante (ECL136S4, ECL142S4, ECL148S4, ELI142S2, ELI136S2, ETR134S1, EAR140S4, EAR146S4, EAR134S4, ELN136S2, ELN142S2, ELN148S1)

1 Retirez les vis de fixation et les rondelles de blocage.



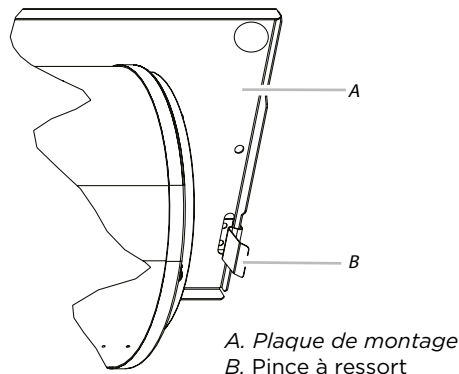
A. Vis de fixation et les rondelles de blocage.
B. Trou de montage

2 Pour les modèles de hotte de cuisinière ELN136S2, ELN142S2, ELI136S2, ELI142S2, EAR134S4, vous devez enlever les vis du moteur de la partie supérieure de la hotte

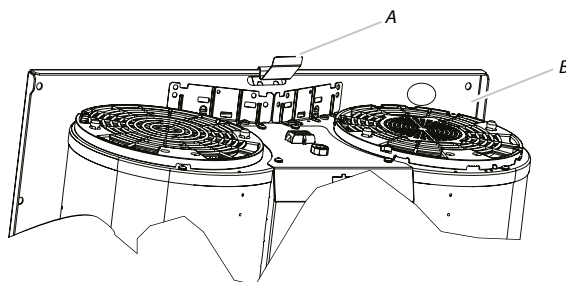


A. Vis de fixation

3 Retirez la plaque de montage du moteur en libérant la pince à ressort. **REMARQUE:** La pince à ressort doit être à l'extérieur de la fente de la plaque de montage.

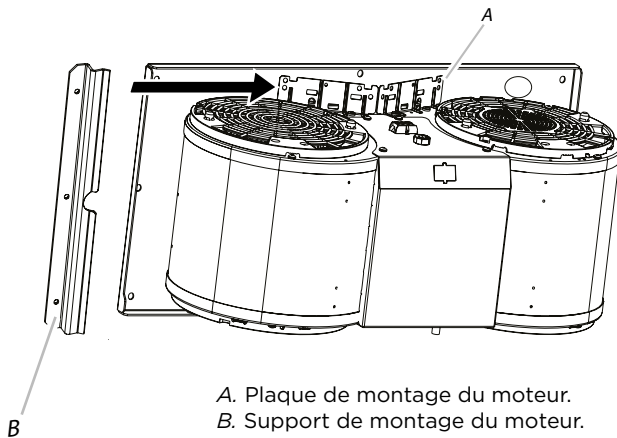


A. Plaque de montage
B. Pince à ressort



A. Plaque de montage
B. Pince à ressort

- 4 Sortez les fils d'alimentation et le connecteur à travers le trou situé à l'extrémité droite de la plaque de montage du moteur.
- 5 Faites glisser la plaque du moteur hors du support.



A. Plaque de montage du moteur.
B. Support de montage du moteur.

6. Installer les filtres à graisse.

Préparer le montage du système de soufflage en ligne

Le système de soufflage en ligne doit être fixé à une structure sécurisée du toit, du plafond, du mur, du sol ou de la construction de châssis neuve ou existante. Les 4 trous du côté entrée (bas) ou du côté sortie (supérieur) du ventilateur doivent être utilisés pour monter le système de soufflante en ligne sur la structure.

REMARQUE: Les emplacements des trous de montage doivent couvrir les montants. Un encadrement supplémentaire peut être requis. Le contreplaqué peut être utilisé pour couvrir des zones ouvertes entre les solives du plafond ou les chevrons de toit pour faciliter l'installation. Cette structure doit être suffisamment solide pour supporter le poids du système de soufflante en ligne (50 lb [22,6 kg] min.).

Préparer le système de soufflante en ligne

⚠ AVERTISSEMENT

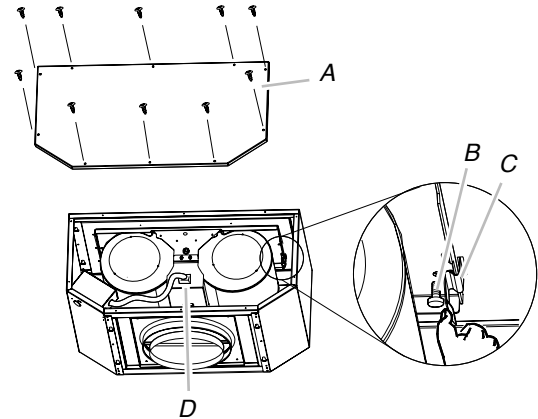
Risque de poids excessif

Utilisez deux personnes ou plus pour déplacer et installer la hotte.

Ne pas le faire peut entraîner des blessures au dos ou autres.

- 1 Débranchez l'alimentation.
- 2 Déterminez la méthode de ventilation à utiliser: Sortie par le toit ou le mur.
- 3 À l'aide de deux personnes ou plus, déplacez le système de moteur de soufflante en ligne sur l'emplacement de montage.
- 4 Retirez le capot avant du boîtier du moteur de soufflante en ligne et mettez-le de côté.
REMARQUE: Pour rendre le boîtier du moteur de soufflante en ligne plus facile à montage, le moteur du ventilateur peut être retiré.
- 5 Débranchez la fiche électrique du moteur du bloc moteur.
- 6 Retirez les vis qui fixent le moteur de la soufflante au boîtier du ventilateur en ligne et mettez-les de côté.

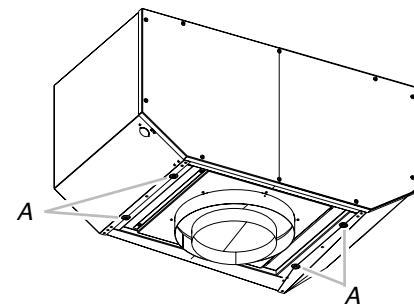
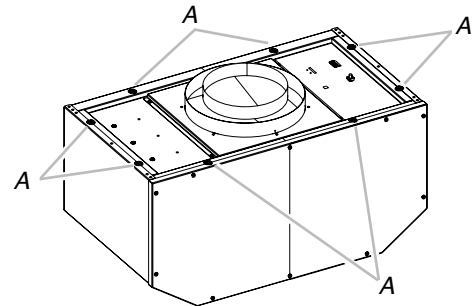
- 7 Tirez sur la pince à ressort pour libérer le moteur du ventilateur. Retirez le moteur du ventilateur du boîtier et placez-le sur une surface couverte.



A. Couverture avant
B. Monteur vis de montage
C. Pince à ressort
D. Moteur électrique prise de courant

Installer le Système de Soufflante en Ligne

REMARQUE: Le boîtier du moteur de la soufflante peut être monté à l'aide de 4 trous du côté entrée ou du côté sortie du ventilateur.

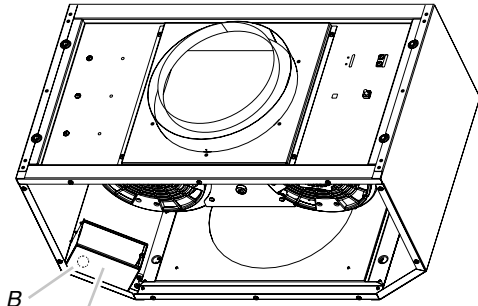


A. Trous de montage

- 1 Placez le boîtier du moteur de soufflante en ligne dans son emplacement de montage et marquez les 4 emplacements des trous de montage.
- 2 Percez 4 trous pilotes de montage à l'aide d'une mèche de $\frac{3}{12}$ " (0,5 cm).
- 3 Fixez le carter du moteur de soufflante en ligne à l'emplacement de montage à l'aide du support (4) vis 6,3x60 mm et (4) rondelles 4 x 1,8 (les pièces sont fournies avec le kit moteur de la hotte)
- 4 Si l'ensemble moteur-ventilateur a été retiré, le réinstaller et le fixer avec les vis retirées auparavant.
- 5 Si la prise électrique du moteur a été débranchée, la rebrancher au connecteur de l'ensemble moteur-ventilateur.

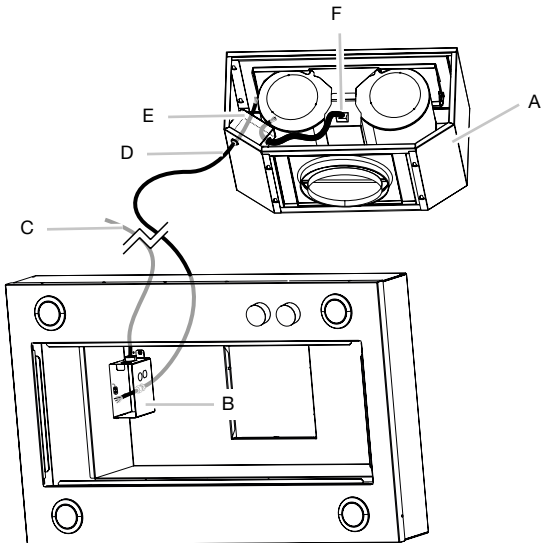
Préparation complète

- 1 Déterminez et effectuez toutes les coupes nécessaires pour le système de ventilation. **IMPORTANT:** Lors de la coupe ou du perçage dans le plafond ou le mur, ne pas endommager le câblage électrique ou les autres utilitaires cachés.
- 2 Déterminez l'emplacement où le conduit de câblage de 1/2" (1,3 cm) sera acheminé à travers le plafond ou le mur entre le ventilateur en ligne et la hotte.
- 3 Percez un trou de 1/4" (3,2 cm) à cet endroit.
- 4 Localiser les boîtiers de raccordement électrique dans le logement du ventilateur en ligne et la hotte. Retirer le couvercle des boîtiers de raccordement et mettre de côté les couvercles et les vis.



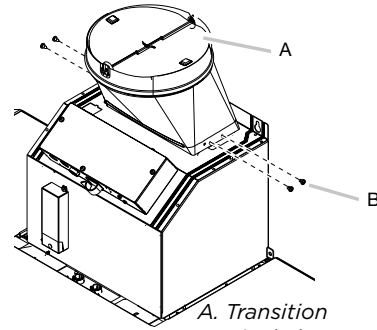
A. Boîtier de raccordement électrique
B. Opercule arrachable

- 5 Retirer l'opercule du logement du ventilateur interne et de la hotte (voir les instructions d'installation de la hotte) pour préparer l'installation du conduit de câblage et connecteur de conduit de 1/2" (1,3 cm) homologués UL ou CSA.
- 6 La hotte étant montée (voir les instructions d'installation de la hotte), acheminer le conduit de câblage de 1/2" (1,3 cm) entre le logement du ventilateur interne et la hotte. Tirer suffisamment de conduit de câblage de 1/2" pour faciliter la connexion aux boîtiers de raccordement du logement du ventilateur interne et de la hotte.



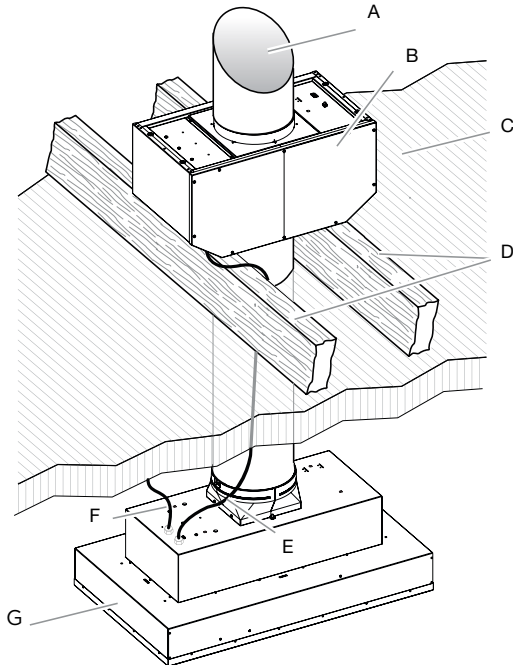
A. Kit de soufflante en ligne
B. Terminal de hotte Boîte
C. Câblage d'alimentation Conduit
D. Câblage de soufflante en ligne Conduit (non inclus)
E. Terminal de soufflante en ligne Boîte
F. Moteur électrique en ligne Câble de prise

- 7 Si est nécessaire, retirez la transition de la hotte.



A. Transition
B. Vis de la Transition

- 8 Installer les connecteurs de conduit et le conduit dans les boîtiers de raccordement électrique du logement du ventilateur interne et de la hotte. **REMARQUE:** si elle est retiré, installez la transition.
- 9 Raccorder le système d'évacuation à la hotte et au système de ventilation interne et assurer l'étanchéité de tous les raccords avec des colliers.



A. Système de ventilation
B. Moteur de soufflante en ligne
C. Plafond
D. Chevrons de toit / Contre-plaqué
E. Câblage du moteur en ligne (non inclus)
F. Câblage d'alimentation
G. Hood de cuisinière

Faire le Raccordement Électrique pour le Système de Moteur de Soufflante en Ligne

⚠ ATTENTION

Risque de choc électrique
Débranchez l'alimentation avant de procéder à l'entretien.
Remplacez toutes les pièces et tous les panneaux avant de les utiliser.

Ne pas le faire peut entraîner la mort ou un choc électrique.

⚠ ATTENTION

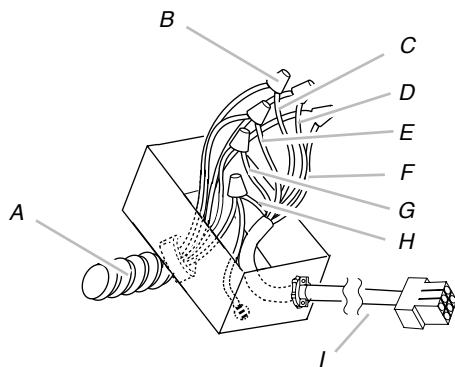
Risque de choc électrique
Ventilateur électrique
Connectez le fil de terre au fil de terre vert et jaune dans la boîte à bornes.

Ne pas le faire peut entraîner la mort ou un choc électrique.

REMARQUE: Le schéma de câblage est joint à la fin du document.

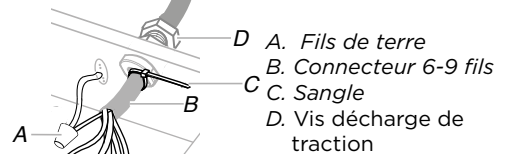
Connexion électrique à l'intérieur du système de soufflante en ligne

- 1 Débranchez l'alimentation.
- 2 Connectez les fils du conduit de câblage aux fils du câble de la fiche électrique du moteur à l'intérieur de la boîte à bornes du boîtier de ventilateur en ligne.
- 3 Utilisez des connecteurs de fils listés UL et connectez les fils noirs (C) ensemble.
- 4 Utilisez des connecteurs de fils listés UL et connectez les fils blancs (D) ensemble.
- 5 Utilisez des connecteurs de fils listés UL et connectez les fils rouges (E) ensemble.
- 6 Utilisez des connecteurs de fils listés UL et connectez les fils bleus (F) ensemble.
- 7 Utilisez des connecteurs de fils listés UL et connectez les fils gris (G) ensemble.
- 8 Connectez le fil de terre vert (ou vert / jaune) du conduit de câblage au fil de terre vert (ou jaune / vert), blanc et noir (H) dans la boîte à bornes en utilisant des connecteurs de fils listés UL.



- A. Décharge de traction
B. Fil listé UL connecteurs
C. Fils noirs
D. Fils blancs
E. Fils rouges
F. Fils bleus
G. Fils gris
H. Vert (ou jaune / vert) et vert / fils jaune,
I. Prise électrique du moteur câble

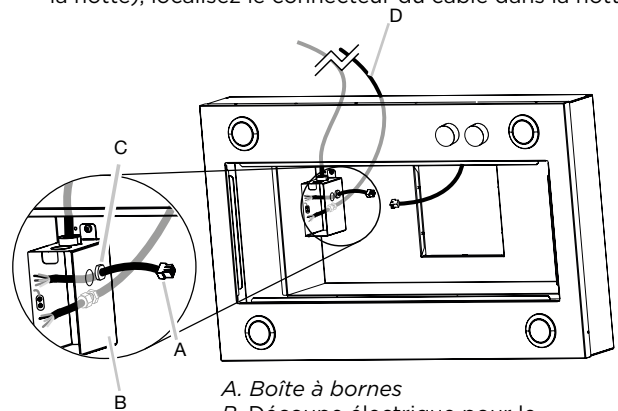
- 9 Une fois la connexion effectuée, il est nécessaire de régler le connecteur à 9-6 fils avec la sangle fournie.



- 10 Réinstallez le couvercle de la boîte à bornes du ventilateur en ligne et les vis.
- 11 Réinstallez le capot avant du boîtier du ventilateur en ligne et fixez-le avec 10 vis de fixation.

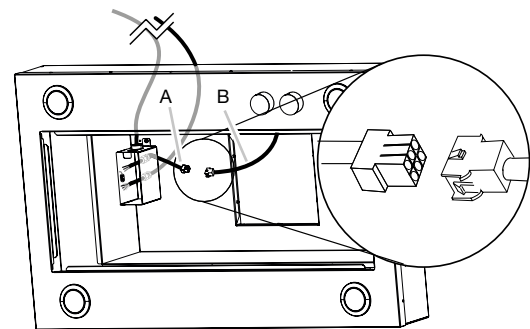
Raccordement électrique à l'intérieur de la hotte de cuisine entre un Système de Soufflante en ligne et une hotte de cuisinière

- 1 Avec la hotte montée (voir les instructions d'installation de la hotte), localisez le connecteur du câble dans la hotte.



- A. Boîte à bornes
B. Découpe électrique pour le connecteur de fil
C. Ensemble connecteur de fil (fourni dans le kit de soufflante en ligne)
D. Conduit de câblage d'alimentation

- 2 Connectez le connecteur à 6 fils fourni avec le système de moteur de ventilateur en ligne au connecteur correspondant de la hotte.

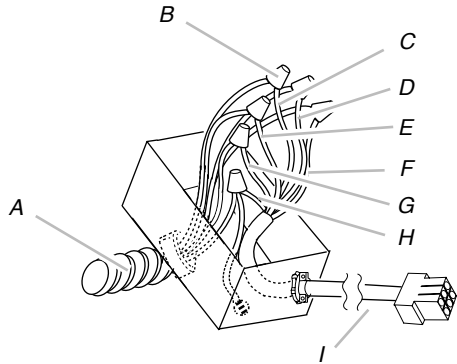


- A. Ensemble de connecteur de fil (fourni dans le kit de soufflante en ligne)
B. Connecteur de ventilateur d'insertion de capot

- 3 Installez des réducteurs de tension homologués UL ou CSA. Passer à travers le serre-câble du connecteur de fil 9 et du conduit de câblage du ventilateur en ligne (non inclus, en laissant une longueur de câble suffisante pour effectuer les connexions de câblage).

- 4 Serrer les vis décharge de traction Raccordez les fils de l'ensemble du connecteur à 6 fils aux fils du conduit de câblage à l'intérieur de la boîte à bornes de la hotte.
- 5 Connectez les mêmes fils de couleur l'un à l'autre (noir à noir, blanc à blanc, etc.) en utilisant des connecteurs de fils répertoriés UL.

REMARQUE: Connectez le fil de terre vert (ou vert/jaune) du conduit de câblage au fil de terre vert (ou nu) de l'alimentation domestique et au fil de terre vert/jaune du connecteur à 6 fils (H) en utilisant des connecteurs de fils homologués UL (voir la section «Raccordements de l'alimentation électrique à la hotte» dans les instructions d'installation de la hotte).



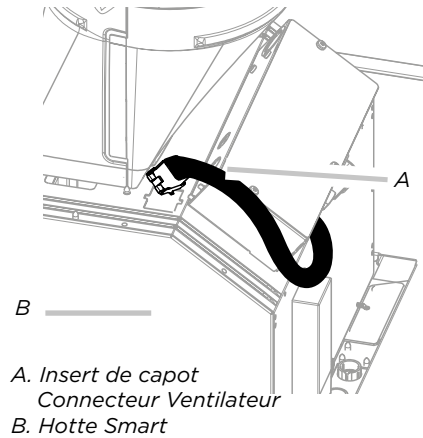
- | | |
|-----------------------------------|-------------------------------------------------|
| A. Décharge de traction connector | F. Fils bleus |
| B. Fil listé UL connecteurs | G. Fils gris |
| C. Fils noirs | H. Fils vert (ou jaune / vert) et vert / jaune. |
| D. Fils blancs | I. Prise électrique du moteur câble |
| E. Fils rouges | |

- 6 Connectez le câblage de l'alimentation secteur à la hotte en suivant les instructions fournies avec la hotte.
- 7 Réinstallez le couvercle de la boîte à bornes de la hotte de cuisinière.
- 8 Rebranchez l'alimentation.

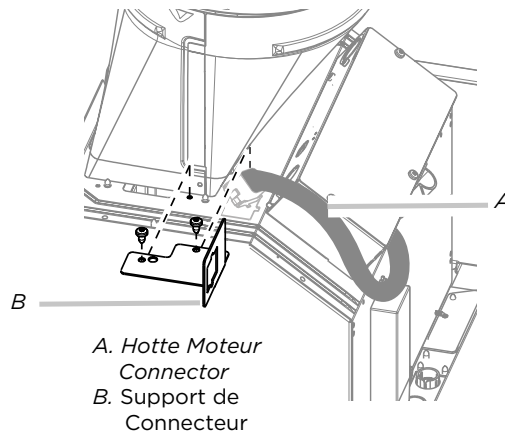
REMARQUE: Pour les modèles à hotte de cuisinière EVV636S1, EVV648S1, EVI642S1 et EVI648S1, suivez les le prochain instructions.

REMARQUE: Pour les modèles à hotte de cuisinière EVV636S1, EVV648S1, EVI642S1 et EVI648S1, utilisez un ensemble de connecteurs à 9 fils.

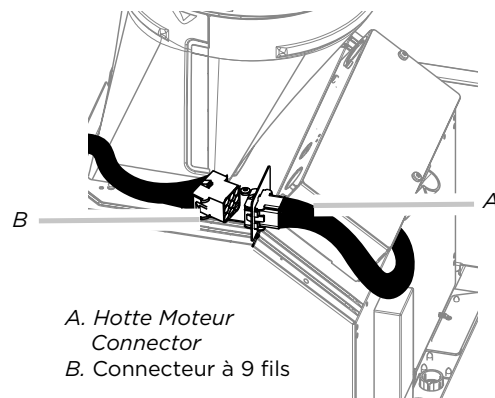
- 1 Avec la hotte montée (voir les instructions d'installation de la hotte), localisez le connecteur du câble dans la hotte.
- 2 Débranchez le connecteur Retirez le connecteur du moteur de la hotte.



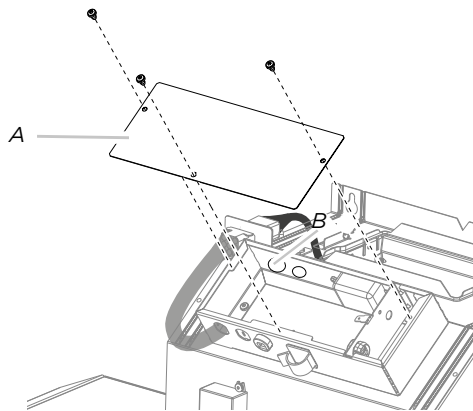
- 3 Installez le support de connecteur avec les vis (2)4.2x8mm incluses dans le kit; placez le connecteur du ventilateur de la hotte dans la cavité du support.



- 4 Connectez le connecteur à 9 fils fourni avec le système de moteur de ventilateur en ligne au connecteur correspondant de la hotte.

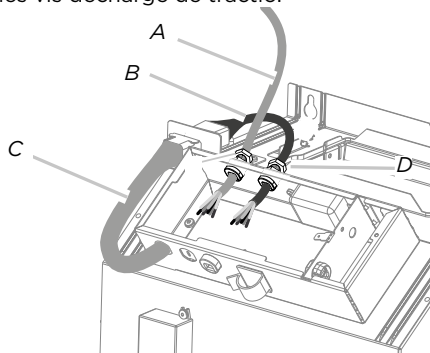


- 5 Retirez les vis et le couvercle de la boîte à bornes du capot.
- 6 Retirez le déflecteur/ découpe électrique du haut de la boîte à bornes du capot.



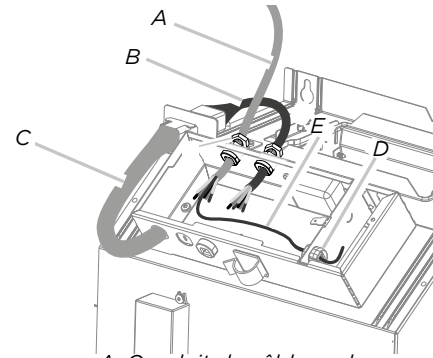
A. Couvercle de la boîte
B. Découpe électrique

- 7 Installez des réducteurs de tension homologués UL ou CSA. Passer à travers le serre-câble du connecteur de fil 9 et du conduit de câblage du ventilateur en ligne (non inclus, en laissant une longueur de câble suffisante pour effectuer les connexions de câblage).
- 8 Serrer les vis décharge de traccio.



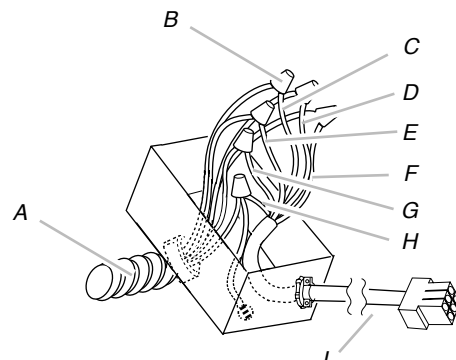
A. Conduit de câblage du ventilateur en ligne (non inclus)
B. Connecteur 9 fils
C. Insert de capot
D. Vis décharge de traction

- 9 Retirez le réducteur de tension de la boîte à bornes de la hotte et parcourez le fil de terre vert (ou vert / jaune) du conduit de câblage. Installez et serrez le serre-câble retiré.



A. Conduit de câblage du ventilateur en ligne (non inclus)
B. Connecteur 9 fils
C. Insert de capot
D. Range Hood strain relief
E. Vis décharge de traction

- 10 Connectez les fils de l'ensemble connecteur 9 fils aux fils du conduit de câblage à l'intérieur de la boîte à bornes de la hotte.
- 11 Connectez les mêmes fils de couleur l'un à l'autre (noir à noir, blanc à blanc, etc.) en utilisant des connecteurs de fils répertoriés UL. **REMARQUE:** Connectez le fil de terre vert (ou vert / jaune) du conduit de câblage au fil de terre vert (ou nu) de l'alimentation domestique et au fil de terre vert / jaune du connecteur à 9 fils (H) en utilisant des connecteurs de fils homologués UL (voir la section «Raccordements de l'alimentation électrique à la hotte» dans les instructions d'installation de la hotte).



A. Décharge de traction connector
B. Fil listé UL connecteurs
C. Fils noirs
D. Fils blancs
E. Fils rouges
F. Fils bleus
G. Fils gris
H. Fils vert (ou jaune / vert) et vert / jaune
I. Prise électrique du moteur câble

- 12 Connectez le câblage de l'alimentation secteur à la hotte en suivant les instructions fournies avec la hotte.
- 13 Réinstallez le couvercle de la boîte à bornes de la hotte de cuisinière.
- 14 Rebranchez l'alimentation.

POUR OBTENIR UN DEPANNAGE SOUS GARANTIE

Le propriétaire doit présenter une preuve de la date d'achat. Garder une copie de votre preuve d'achat datée (ticket de caisse) de façon à pouvoir bénéficier du service après-vente sous garantie.

GARANTIE PIÈCES DE RECHANGE ET MAIN D'OEUVRE

Pendant une période de deux (2) ans à partir de la date d'achat, Elica s'engage à fournir gratuitement les pièces de rechange ou les composants autres que les recharges ayant des défauts de fabrication.

Durant cette garantie de deux (2) ans, Elica fournira également gratuitement, toute la main d'oeuvre et le service à domicile pour remplacer d'éventuelles pièces défectueuses.

CE QUE LA GARANTIE NE COUVRE PAS

- Dégât ou panne du produit causé par un accident ou un cas de force majeure tels que inondation, incendie ou tremblement de terre.
- Dégât ou panne du produit causé par modification du produit ou utilisation de pièces pas d'origine.
- Dégât ou panne du produit causé lors de la livraison, de la manipulation ou de l'installation.
- Dégât ou panne du produit causé par une mauvaise utilisation.
- Dégât ou panne du produit causé par un remplacement des fusibles ou une remise en fonction des disjoncteurs par le propriétaire.
- Dégât ou panne du produit causé par une utilisation du produit pour raison commerciale.
- Déplacement à domicile pour explication d'utilisation ou d'entretien.
- Ampoules, filtres métalliques ou au charbon et toute autre pièce consommable.
- Usure normale.
- Usure due à une mauvaise utilisation du propriétaire, un entretien incorrect, une utilisation de substances nettoyantes corrosives ou abrasives et produits de nettoyage pour four.

QUI EST COUVERT

Cette garantie s'étend à l'acheteur original de produits achetés pour un usage domestique habituel en Amérique du Nord (Y compris Etats Unis, Guam, Porto Rico, les Iles virgins Américaines & le Canada).

Cette garantie n'est pas transférable et vaut uniquement pour l'acheteur original et ne s'étend pas aux propriétaires successifs du produit. Cette garantie vaut expressément en lieu et place de toute autre garantie, expresse ou sous-entendue, mais ne limite pas toute autre garantie sous-entendue de marchandage ou adaptation dans un but particulier et toute autre obligation de la part de Elica North America, étant entendu, cependant, que si la réclamation pour garanties sous-entendues n'est pas applicable aux yeux de la loi en vigueur, la durée de toute garantie sous-entendue émanant de la loi doit être limitée à deux (2) ans à partir de la date d'achat du produit ou à une période plus longue selon ce que dit la loi en vigueur.

Cette garantie ne couvre pas tout dégât particulier, accidentel et/ou consécutif, ni les pertes et profits, à charge du propriétaire, des ses clients et/ou des utilisateurs Des produits.

QUI CONTACTER

Pour obtenir un Service Après-vente durant la Garantie ou pour toute autre Question liée au Service Après-vente:

Appeler:

- Service Après-vente autorisé Elica North America au (888) 732-8018
- Pour l'Est du Canada, composez le 1-888 651 2534 *Demandez le service après-vente*

Contenido

Aviso de seguridad importante..... 31

Requerimientos de instalación 32

 Lista de materiales 32

 Requerimientos de ubicación 33

 Dimensiones del Producto..... 33

 Requerimientos de ventilación 33

 Especificaciones eléctricas 34

Instrucciones de instalación 35

 Preparación de la ubicación 35

 Instalación del Sistema de ventilación en Línea 37

 Conexión eléctrica del Sistema de Ventilación en Línea..... 39

 Conexión eléctrica entre la Acampana y el Sistema de Ventilación en Línea..... 39

GARANTÍA 42

DIAGRAMA ELÉCTRICO..... 43

**APROBADO PARA APARATOS DE USO DOMÉSTICO
SÓLO PARA USO DOMÉSTICO
LEA Y GUARDE ESTAS INSTRUCCIONES**

**ANTES DE CONTINUAR, LEA LAS INSTRUCCIONES POR COMPLETO.
LA INSTALACIÓN DEBE CUMPLIR TODA LA NORMATIVA LOCAL.**

IMPORTANTE: Guarde estas instrucciones para su uso por parte del inspector de electricidad local.

INSTALADOR: Entregue al propietario estas instrucciones junto con la unidad.

PROPIETARIO: Conserve estas instrucciones para futuras consultas.

Advertencia de seguridad: Antes de realizar el cableado de este aparato, desactive el circuito de energía eléctrica en el panel de servicio y desbloquee el panel.

Requisito: Circuito auxiliar de 120 V AC, 60 Hz. 15 ó 20 A.

AVISO DE SEGURIDAD IMPORTANTE

PRECAUCIÓN

SÓLO PARA USO DE VENTILACIÓN GENERAL. NO UTILIZAR PARA EXPULSAR VAPORES O MATERIALES PELIGROSOS O EXPLOSIVOS.

ADVERTENCIA

PARA REDUCIR EL RIESGO DE FUEGO, DESCARGA ELÉCTRICA O LESIONES PERSONALES, RESPETE LO SIGUIENTE:

- A. Utilice esta unidad solamente en el modo que indica el fabricante. En caso de duda, póngase en contacto con el fabricante.
- B. Antes de reparar o limpiar la unidad, desconecte la alimentación en el panel de servicio y bloquee los medios de desconexión del panel de servicio para evitar la conexión accidental de la alimentación. Si no es posible bloquear los medios de desconexión del panel de servicio, coloque un dispositivo de advertencia que destaque como, por ejemplo, una etiqueta, en el panel de servicio.
- C. La instalación y el cableado eléctrico deben realizarlos personas cualificadas de acuerdo con las normativas y los estándares aplicables, incluida la construcción ignífuga.
- D. Es necesaria una ventilación suficiente para la correcta combustión y expulsión de gases por la salida de humos (Chimenea) del equipo de combustión de carburante para evitar el contratiro. Siga las directrices de fabricantes de equipos de calefacción y los estándares de seguridad como los publicados por la National Fire Protection Association (NFPA), American Society for Heating, Refrigeration and Air Conditioning Engineers (ASHRAE) y las normativas locales.
- E. Al efectuar orificios en una pared o techo, no dañe el cableado eléctrico y otras instalaciones ocultas.
- F. Los sistemas instalados mediante conducto deben tener ventilación con salida al exterior.

PRECAUCIÓN

Para reducir el riesgo de fuego y conseguir una salida del aire correcta, asegúrese de conducir el aire hacia el exterior. No permita que el aire se expulse en espacios situados en el interior de muros, techos, desvanes, sótanos de pequeña altura o garajes.

ADVERTENCIA

PARA REDUCIR EL RIESGO DE FUEGO, UTILICE SOLAMENTE TUBOS METÁLICOS.

Instale esta campana de acuerdo con los requisitos especificados.

ADVERTENCIA

Para reducir el riesgo de fuego o descarga eléctrica, no utilice esta campana con ningún dispositivo externo en estado sólido para el control de la velocidad.

ADVERTENCIA

PARA REDUCIR EL RIESGO DE INCENDIO OCASIONADO POR GRASA:

- a) No deje nunca ninguna unidad externa desatendida y con valores de fuego altos. La cocción puede causar humo o reboses de grasa que pueden prender fuego. Caliente el aceite a fuego lento o medio.
- b) Encienda siempre la campana cuando cocine a una temperatura alta o cuando realice flameados (por ejemplo, Crepas Suzette, cerezas flameadas, ternera a la pimienta flameada).
- c) Limpie con frecuencia los ventiladores. No permita que la grasa se acumule en el ventilador o filtro.
- d) Utilice un tamaño de sartén adecuado. Utilice siempre piezas de batería de cocina adecuadas al tamaño del elemento de superficie.

ADVERTENCIA

PARA REDUCIR EL RIESGO DE LESIONES PERSONALES, EN CASO DE FUEGO OCASIONADO POR GRASA, TENGA EN CUENTA LO SIGUIENTE:^a

- a) **EXTINGA LAS LLAMAS** con una tapa ajustada, una lámina para hacer galletas u otro tipo de bandeja metálica y apague el quemador de gas o elemento eléctrico. **TENGA CUIDADO PARA EVITAR QUEMADURAS.** Si las llamas no se extinguen inmediatamente, **DESALOJE EL LUGAR Y LLAME A LOS BOMBEROS.**
- b) **NUNCA TOME UNA SARTÉN EN LLAMAS**, podría sufrir quemaduras.
- c) **NO UTILICE AGUA**, incluidas bayetas o toallas húmedas ya que se produciría una violenta explosión de vapor.
- d) Utilice un extintor **SÓLO** si:
 - 1) Sabe que dispone de un extintor de la clase ABC y conoce su funcionamiento.
 - 2) El fuego es pequeño y se encuentra en la misma zona donde se inició.
 - 3) Ha llamado a los bomberos.
 - 4) Puede luchar contra el fuego teniendo una salida a su espalda.

^aBasado en "Consejos de seguridad para fuegos de cocina" publicado por NFPA.

ADVERTENCIA

Para reducir el riesgo de incendio, descarga eléctrica y lesiones, es necesario instalar el modelo de Kit KIT0154387 con los modelos de campanas enlistados. No se pueden sustituir por otros modelos:

ECL630S4, ECL136S4, ECL142S4, ECL148S4, EVV636S1, EVV648S1, EVI642S1, EVI648S1, ELN630S2, ELN136S2, ELN142S2, ELN148S1, ELI142S2, ELI136S2, ETR134S1, EAR140S4, EAR146S4, EAR628S4, EAR134S4.

REQUERIMIENTOS DE INSTALACIÓN

Lista de materiales

Reúna las herramientas y piezas necesarias antes de comenzar la instalación. Lea y siga las instrucciones proporcionadas con las herramientas que se enumeran a continuación.

Herramientas necesarias:





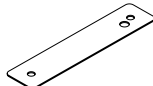
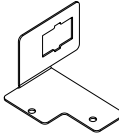








- Taladro
- Broca de 1¼ "(3 cm)
- Broca de 3/16 "(0.5 cm)
- Lápiz
- Pelacables o cuchillo
- Cinta métrica o regla
- Alicates
- Pistola para calafatear y masilla resistente a la intemperie
- Abrazaderas de ventilación
- Rompecabezas o sierra de cerradura
- Destornillador de punta plana
- Tijeras de metal
- destornillador Phillips

Partes necesarias

- 6 - 9 cables AWG, uno de cada uno de los siguientes colores: negro, blanco, rojo, azul, gris y verde o verde/amarillo (tierra) **NOTA:** La longitud del conducto y de los cables de AWG está determinada por la distancia entre las cajas de terminales del motor de soplador en línea y de la campana extractora.
- 11 - Conectores de cable aprobados por UL

Partes suministradas

Remueva las partes del empaque. Cheque que todas las partes estén incluidas.

	
Conector de alivio de tensión	2
	
Tornillo 4.2x8 mm	6
	
Enchufe eléctrico 6-cables	1
	
Rondanas planas 4x1.8 mm	4
	
Soporte rectangular	2
	
Soporte de conector	1
	
Tornillo 6.3x60 mm	4
	
Enchufe eléctrico 9-cables	1
Conectores de alivio de tensión	
 	
Ø 12 mm Ø 15.9 mm	1
	
6x13.5 mm	2
	
Torx 20 adapter	1
	
Torx 10 adapter	1
	
Strap 2.5x95 mm	2

Requerimientos de ubicación

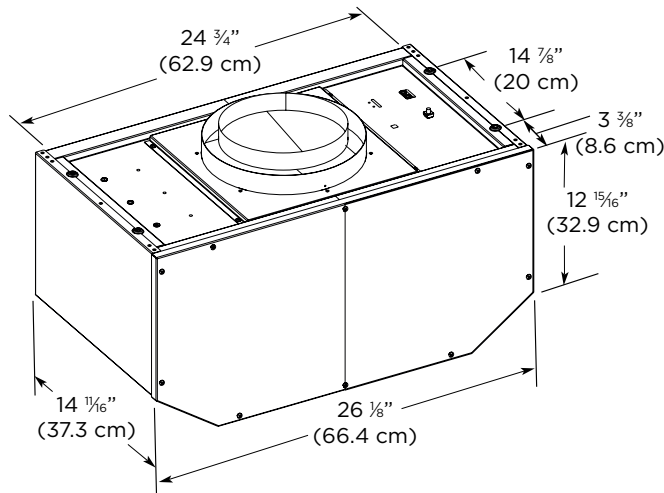
IMPORTANT: Verifique todos los códigos y leyes vigentes. Este Kit debe ser instalado por un técnico calificado. Todas las aberturas en el techo o en la pared donde se instalará el sistema del ventilador de motor en líneas deben sellarse.

Para instalaciones de casas móviles

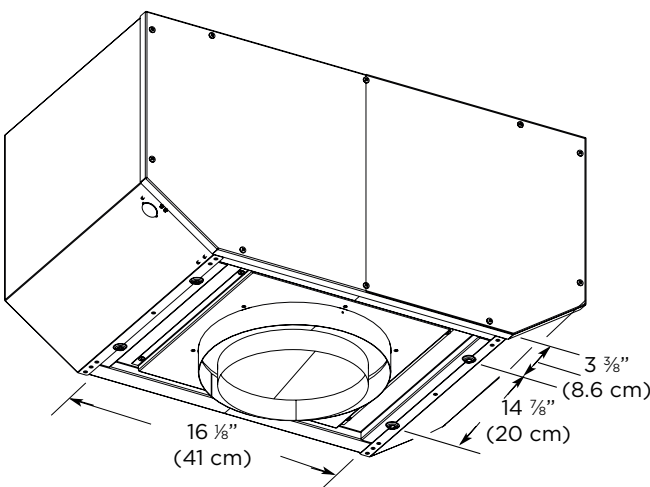
La instalación de este sistema de motor en línea debe cumplir con las Normas de Seguridad de Construcción de Casas Prefabricadas, Título 24 CFR, Parte 328 (anteriormente el Estándar Federal para Construcción y Seguridad de Casas Móviles, Título 24, HUD, Parte 280) o cuando dicho estándar no es aplicable, el estándar para la Instalación de casas prefabricadas de 1982 (Sitios de casas prefabricadas, comunidades y configuraciones) ANSI A225.1 / NFPA 501A *, o la última edición, o con códigos locales.

Dimensiones del Producto

VISTA DE LA SALIDA SUPERIOR



VISTA DE LA ENTRADA INFERIOR



Requerimientos de ventilación

- El sistema de ventilación debe terminar al aire libre.
- No termine el sistema de ventilación en un ático u otra área cerrada.
- No use ventiladores o tapas de pared de 4 "(10.2 cm) para lavandería.
- Use ventilación redonda y metálica solamente. Se recomienda ventilación metálica rígida. No se recomienda ventilación de lámina de plástico o metal.
- La longitud del sistema de ventilación y el número de codos se deben mantener al mínimo para proporcionar un rendimiento eficiente.

Para la operación más eficiente y silenciosa:

- No use más de tres codos de 90 °.
- Asegúrese de que haya un mínimo de 24 "(61.0 cm) de ventilación recta entre los codos si se usa más de 1 codo.
- No instales 2 codos juntos.
- Use abrazaderas para sellar todas las juntas en el sistema de ventilación.
- El sistema de ventilación debe tener un regulador.
- Use calafateo resistente a la intemperie para sellar la pared exterior o la abertura del techo alrededor de la tapa.
- El tamaño de la ventilación debe ser uniforme.

Instalaciones de clima frío

Se debe instalar una compuerta de contraflujo adicional para minimizar el flujo de aire frío hacia atrás. Se debe instalar un corte térmico para minimizar la conducción de temperaturas externas como parte del sistema de ventilación. El amortiguador debe estar en el lado del aire frío de la rotura de puente térmico.

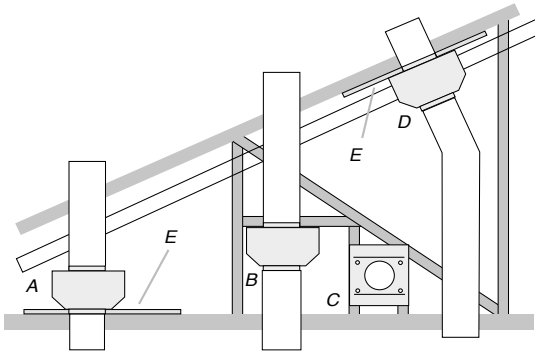
El corte térmico debe ser lo más cercano posible al lugar. El sistema de ventilación entra a la parte calentada de la casa.

Instalaciones típicas del Sistema de Ventilación en Línea

Se necesita un sistema de ventilación redondo de 8"(20,32cm) - 10"(25,4 cm) para la instalación (no incluido). Las aberturas de entrada y salida del sistema de ventilación en línea son de 10 "(25,4 cm) redondas. La abertura del escape (salida) en la campana extractora también debe ser de 10"(25,4 cm) - 8"(20,32cm) redondos .

NOTA: No se recomienda ventilación flexible. La ventilación flexible crea contrapresión y turbulencia de aire que reduce en gran medida el funcionamiento. El sistema de ventilación puede terminar a través del techo o la pared.

NOTA: La madera contrachapada se puede usar como una base de montaje para abarcar las áreas abiertas entre las vigas del techo y las vigas. Si se usa, asegúrese de usar madera contrachapada capaz de soportar el peso del sistema de ventilador en línea (50 lb [22.6 kg]).



- A. Montaje de las vigas en techo.
 B. Montaje desde travesaños atados a armaduras.
 C. Conductos horizontales; monte a travesaños atados a armaduras.
 D. Monte en la parte inferior de las vigas del techo
 E. Madera contrachapada

Observe todos los códigos y ordenanzas aplicables. Asegúrese de que la instalación eléctrica sea adecuada y en conformidad con el National Electrical Code (Código Nacional Eléctrico), ANSI/NFPA 70 (última edición) o las normas de CSA C22.1-94, Canadian Electrical Code (Código canadiense de electricidad), Parte 1 y C22.2 N° 0-M91 (última edición), y todos los códigos y ordenanzas locales.

Si los códigos lo permiten y se emplea un alambre de conexión a tierra separado, se recomienda que un electricista competente determine si la trayectoria de conexión a tierra es adecuada. Usted puede obtener una copia de las normas de los códigos arriba indicadas en:

National Fire Protection Association,
 1 Batterymarch Park
 Quincy, MA 02169-7471
 CSA International
 8501 East Pleasant Valley Road
 Cleveland, OH 44131-5575

- Se necesita un circuito eléctrico de 120 voltios, 60 hertzios, CA solamente, de 15 amperios y protegido con fusibles.
- Si la casa tiene cableado de aluminio, siga el procedimiento a continuación:
 - 1 Conecte una sección de alambre de cobre sólido a los conductores flexibles.
 - 2 Conecte el cableado de aluminio a la sección añadida de alambre de cobre usando conectores especiales y/o herramientas diseñadas y de la lista de UL para unir el cobre al aluminio.

Siga el procedimiento recomendado por el fabricante del conector eléctrico. La conexión de cobre/aluminio deberá hacerse en conformidad con los códigos locales y las prácticas de cableado aceptadas por la industria.

- Debe proveerse un protector de cables aprobado por UL o CSA a cada extremo del cable/conducto de suministro de energía (en la caja de empalmes).
- Los tamaños de los cables deben hacerse de acuerdo a los requisitos del National Electrical Code (Código Nacional Eléctrico), ANSI/NFPA 70 (última edición) o las normas de CSA C22.1-94 Canadian Electrical Code (Código Canadiense de Electricidad), Parte 1 y C22.2 N° 0-M91 (última edición), y todos los códigos y ordenanzas locales.

INSTRUCCIONES DE INSTALACIÓN

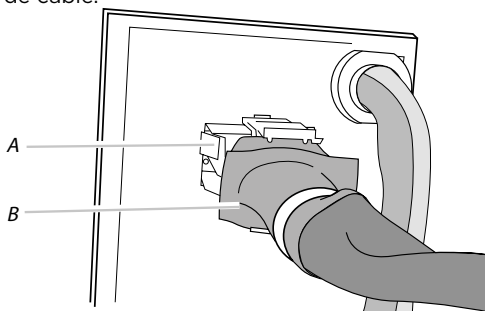
Preparación de la ubicación

- Antes de hacer los recortes, asegúrese de que haya una distancia adecuada dentro del techo o la pared para la ventilación del escape.
- Cuando corte o taladre en el techo o la pared, no dañe el cableado eléctrico u otras utilidades ocultas.
- Verifique que todas las piezas de instalación se hayan eliminado de la caja de envío.

NOTE: Para el correcto funcionamiento de su sistema de soplador en línea, debe quitar el soplador interno del motor de la campana extractora.

Retire el ventilador interno del motor de la campana extractora

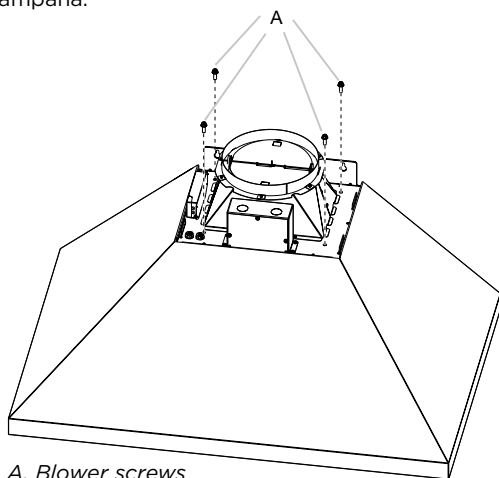
- 1 Retire los filtros de grasa de la campana extractora.
- 2 Desconecte el cable de alimentación del soplador de la caja de cable.



A. Conector de caja
B. Cable de alimentación

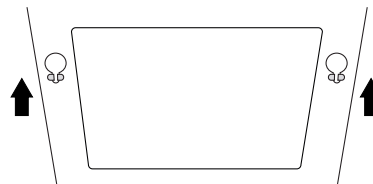
A. Para modelos de motor simple (ECL630S4, EVV636S1, EVV648S1, EVI642S1, EVI648S1, ELN630S2, EAR628S4)

- 1 Retire los tornillos de montaje del ventilador.
NOTA: para el modelo ELN630S1, debe quitar los tornillos de montaje de la parte superior de la carcasa de la campana.

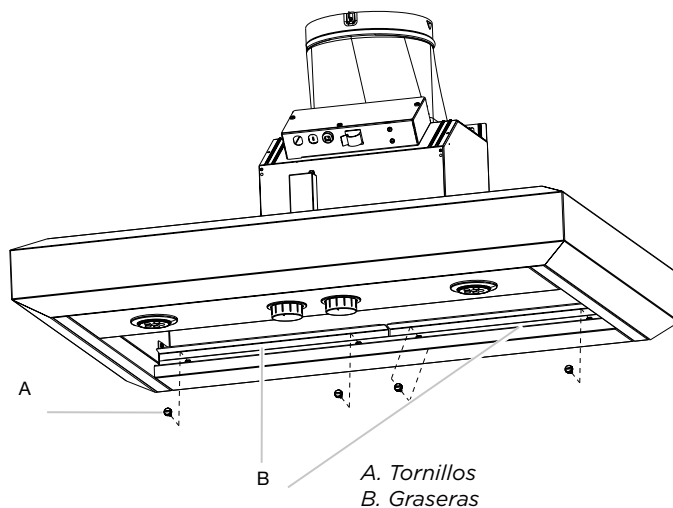


A. Blower screws

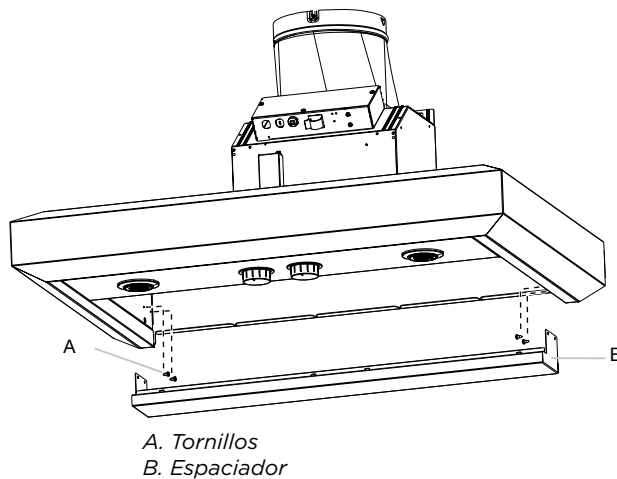
- 2 Libere los dos resortes del ventilador de la parte superior de la carcasa de la campana extractora.



- 3 Para los modelos EVV648S1, EVV636S1 es necesario retirar las graseras y el espaciador de la campana.

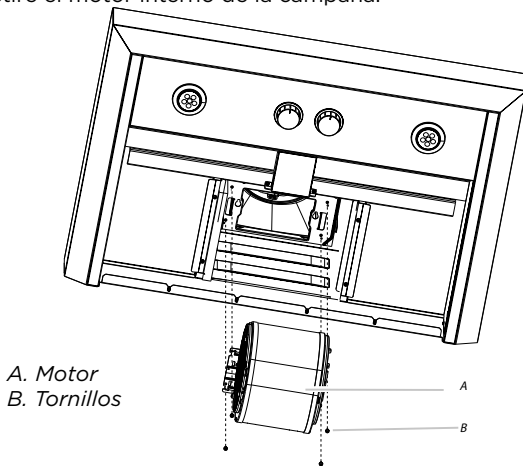


A. Tornillos
B. Graseras

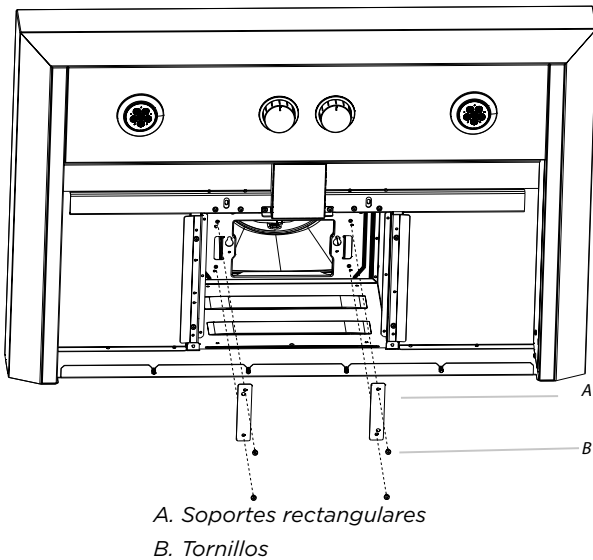


A. Tornillos
B. Espaciador

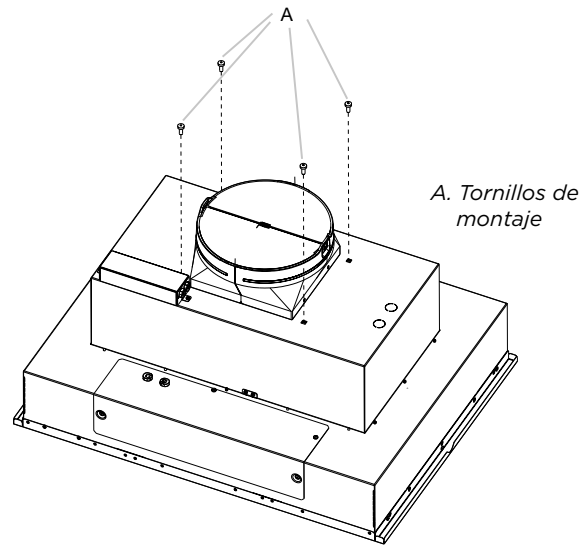
4 Retire el motor interno de la campana.



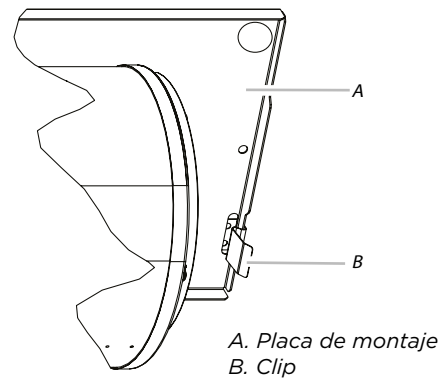
5 Instale los soportes rectangulares (incluidos en el kit) con tornillos (4) 4.2x8 mm.
6 Instale los filtros de grasa, la travesa y las grseras.



2 Para los modelos ELN136S2, ELN142S2, ELI136S2, ELI142S2, EAR134S4 es necesario retirar los tornillos de instalación del motor, desde la parte superior de la campana.

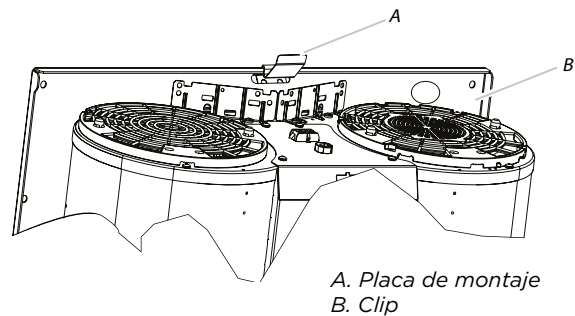
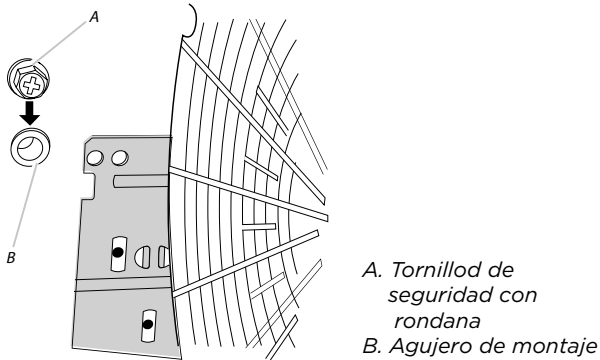


3 Retire la placa de montaje del motor liberando el clip de resorte. **NOTA:** El clip de resorte debe estar fuera de la ranura en la placa de montaje.

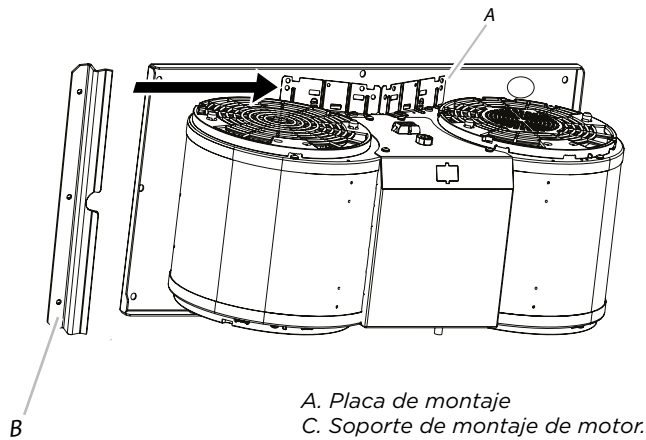


B. Para los modelos de motor doble (ECL136S4, ECL142S4, ECL148S4, ELI142S2, ELI136S2, ETR134S1, EAR140S4, EAR146S4, EAR134S4, ELN136S2, ELN142S2, ELN148S1)

1 Retire los tornillos de sujeción y las rondanas planas



- 4 Deslice los cables de la fuente de alimentación y el conector a través del orificio en el extremo derecho de la placa de montaje del motor.
- 5 Deslice la placa de montaje debajo del soporte .



- 6 Instale los filtros de grasa.

Preparación para la Instalación del Sistema de Motor en Línea

El sistema de ventilador en línea debe sujetarse a una estructura segura del techo, el techo, la pared, el piso o la construcción de un armazón nuevo o existente. Los 4 orificios del lado de entrada (inferior) o de salida (superior) del ventilador deben usarse para montar el sistema en línea en la estructura.

NOTE: Las ubicaciones de los orificios de montaje deben abarcar los postes. Es posible que se requiera un marco de montante adicional. La madera contrachapada se puede usar para abarcar áreas abiertas entre las vigas del techo o las vigas del techo para ayudar a la instalación. Esta estructura debe ser lo suficientemente fuerte como para soportar el peso del sistema de ventilador en línea (50 lb [22.6 kg] min).

Preparación del Sistema de Motor en Línea

⚠ ADVERTENCIA

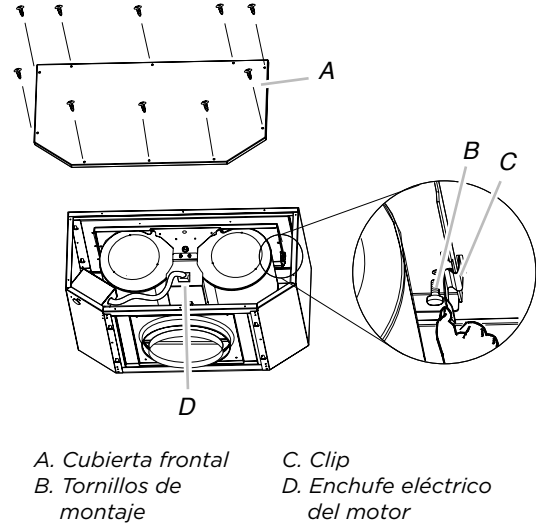
Peligro de peso excesivo

Use dos o más personas para mover e instalar la campana extractora.

De lo contrario, puede producirse una lesión en la espalda u otro tipo de lesión.

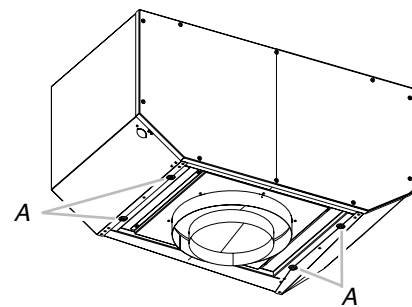
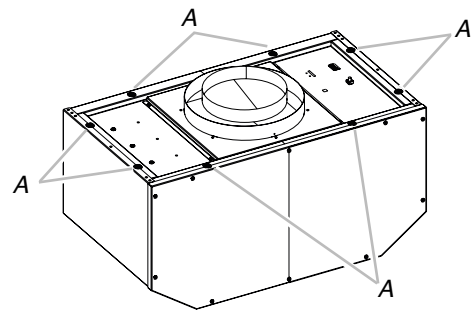
- 1 Desconecte la corriente.
- 2 Determine qué método de ventilación usar: escape de techo o pared.
- 3 Con dos o más personas, mueva el sistema del motor del soplador en línea a la ubicación de montaje.
- 4 Retire los 10 tornillos de la cubierta frontal de la carcasa del motor del ventilador en línea y déjelos a un lado.
- 5 Retire la cubierta frontal de la carcasa del motor del ventilador en línea y déjela a un lado.
NOTE: Para facilitar la instalación del sistema de ventilación en línea puede desinstalar su motor interno.
- 6 Desconecte el enchufe eléctrico del motor del conjunto del motor del ventilador.
- 7 Quite los tornillos que aseguran el conjunto del motor del soplador a la carcasa del ventilador en línea y déjelos a un lado.

- 8 Tire del clip de resorte para liberar el conjunto del motor del ventilador. Retire el conjunto del motor soplador de la carcasa y colóquelo en una superficie cubierta.



Instalación del Sistema de Ventilación en Línea

NOTE: El Sistema de Ventilación en Línea puede instalarse usando los 4 orificios del lado de entrada (inferior) o de salida (superior) del ventilador.

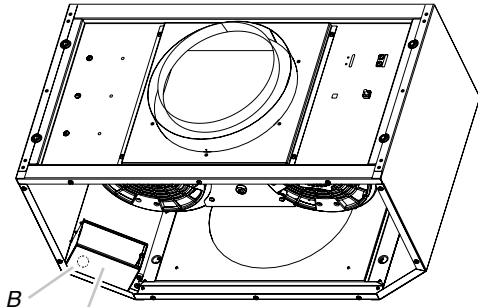


A. Orificios de montaje

- 1 Coloque la carcasa del motor del ventilador en línea en su ubicación de montaje y marque las 4 ubicaciones de los orificios de montaje.
- 2 Perfore 4 orificios con una broca de $\frac{3}{16}$ "(0.5 cm).
- 3 Fije la carcasa del motor con (4) tornillos de 6.3x60 mm y (4) rondanas de 4x1.8 (las piezas se incluyen en el kit)
- 4 Si se retira, vuelva a instalar el conjunto del motor y asegúrelo con los tornillos que quitó anteriormente
- 5 Si se retira, vuelva a conectar el enchufe eléctrico del motor al conector en el conjunto del motor del ventilador.

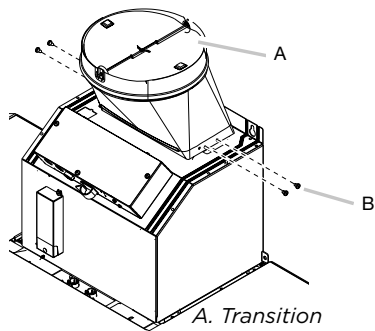
Complete la Preparación

- 1 Determine y realice todos los cortes necesarios para el sistema de ventilación. **IMPORTANTE:** Al cortar o taladrar en el techo o la pared, no dañe el cableado eléctrico u otras utilidades ocultas.
- 2 Determine la ubicación donde el conducto de cableado de 1/2" (1,3 cm) se encaminará a través del techo o la pared entre el soplador en línea y la campana extractora. Taladre un orificio de 1/4" (3,2 cm) en esta ubicación.
- 3 Ubique las cajas de terminales eléctricas en la carcasa del ventilador en línea y la campana extractora. Retire las cubiertas de la caja de terminales y coloque las cubiertas y los tornillos a un lado.



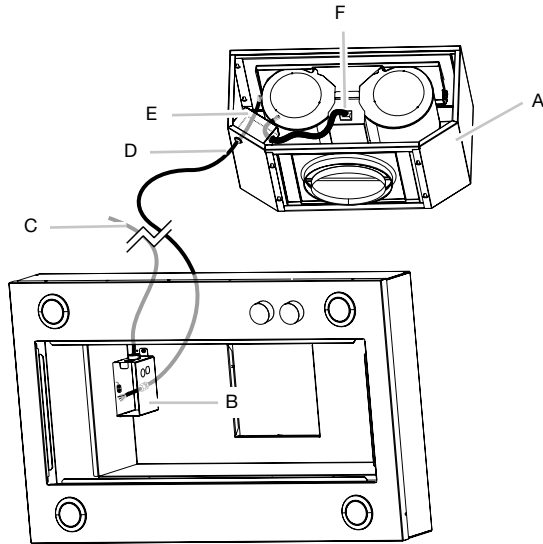
A. Caja de terminales
B. Knockout eléctrico

- 4 Retire el knockout eléctrico de la caja del ventilador en línea y la campana extractora (consulte las instrucciones de instalación de la campana extractora) para preparar la instalación del conducto de cableado y conector de conducto aprobado por UL o aprobado por CSA 1.3/2" (1,3 cm).
- 5 Con la campana extractora montada (consulte las instrucciones de instalación de la campana extractora), pase el conducto de cableado de 1/2" (1,3 cm) entre la carcasa del motor del ventilador en línea y la campana extractora. Tire de suficiente conducto de cableado de 1/2" para permitir una fácil conexión de las cajas de terminales de la carcasa del ventilador en línea y la campana extractora.
- 6 De ser necesario retire la transición de la campana.



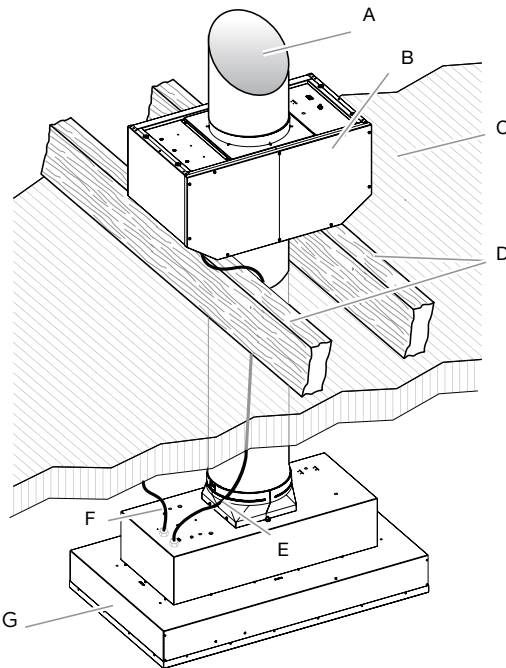
A. Transition
B. Vis de la Transition

- 7 Instale el conducto conector y el conducto a la caja eléctrica del motor en línea y a las cajas de terminales. **NOTA:** Si se retiró, instale la transición de la campana.



A. Kit de Motor en línea
B. Caja de terminales de la campana
C. Cableado de la fuente de alimentación conducto
D. Cableado del ventilador en línea Conducto (no incluido)
E. Caja terminales del motor en línea
F. Motor eléctrico en línea Cable de enchufe

- 8 Conecte el sistema de ventilación a la campana extractora y al sistema ventilador en línea y selle todas las juntas con abrazaderas



A. Sistema de ventilación
B. Motor en Línea
C. Techo
D. Vigas / Madera contrachapada
E. Cableado de conducto (no incluido)
F. Cableado a la fuente de alimentación
G. Campana

Conexión Eléctrica del Sistema de Ventilación en Línea

⚠️ ADVERTENCIA

Peligro de Choque Eléctrico

Desconecte la energía antes de dar servicio.

Reemplace todas las piezas y paneles antes de operar.

De lo contrario, puede provocar la muerte o una descarga eléctrica.

⚠️ ADVERTENCIA

Peligro de Choque Eléctrico

Soplador de tierra eléctrico.

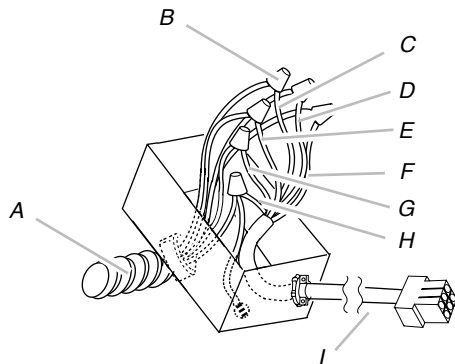
Conecte el cable de tierra al cable de tierra verde y amarillo en la caja de terminales.

De lo contrario, puede provocar la muerte o una descarga eléctrica.

NOTA: Se anexa el esquema de diagrama eléctrico al final de documento.

Electrical Connection Inside In-line Blower System

- 1 Desconecte la corriente.
- 2 Conecte los cables del conducto de cableado a los cables del cable del enchufe eléctrico del motor dentro de la caja de terminales de la caja del ventilador en línea.
- 3 Use conectores de cables aprobados por UL y conecte los cables negros (C).
- 4 Use conectores de cables aprobados por UL y conecte los cables blancos (D).
- 5 Use conectores de cables aprobados por UL y conecte los cables rojos (E).
- 6 Use conectores de cables aprobados por UL y conecte los cables azules (F).
- 7 Use conectores de cables aprobados por UL y conecte los cables grises (G).
- 8 Conecte el cable de tierra verde (o verde / amarillo) del conducto de cableado al cable de tierra verde (o amarillo / verde) (H), blanco y negro en la caja de terminales usando conectores de cables aprobados por UL.



A. Conducto de cableado de 1/2" aprobado por UL o por CSA

B. Conectores aprobados por UL

C. Cables negros

D. Cables blancos

E. Cables rojos

F. Cables azules

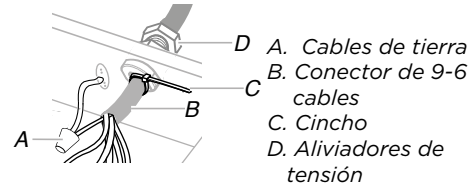
G. Cables grises

H. Cables verdes

(o amarillos/verdes), negro y blanco.

I. Cable de enchufe eléctrico del motor

- 9 Una vez que se realiza la conexión, es necesario ajustar el conector de 9-6 cables con el cincho incluido.



A. Cables de tierra

B. Conector de 9-6 cables

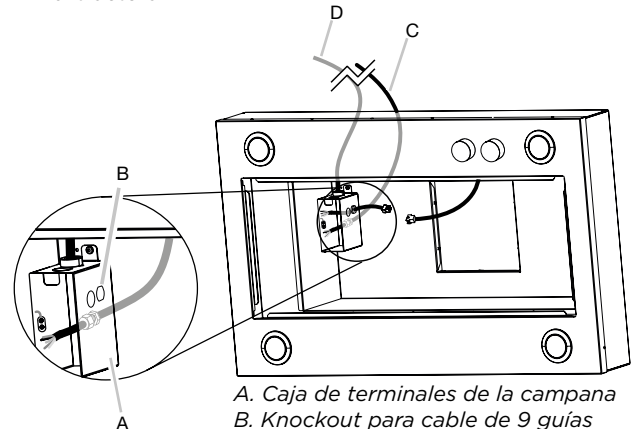
C. Cincho

D. Alividores de tensión

- 10 Vuelva a instalar la cubierta y los tornillos de la caja de terminales del ventilador en línea.
- 11 Vuelva a instalar la cubierta frontal de la carcasa del ventilador en línea y asegúrela con 10 tornillos de montaje.

Conexión eléctrica entre la campana y el sistema de soplador en línea

- 1 Con la campana extractora montada (consulte las instrucciones de instalación de la campana extractora), ubique el conector del cableado dentro de la campana extractora.



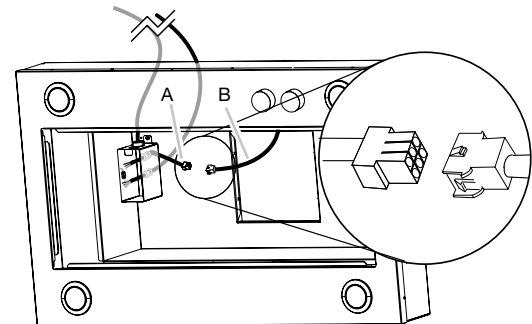
A. Caja de terminales de la campana

B. Knockout para cable de 9 guías

C. Cable de 9 guías (incluido en el kit)

D. Cableado de la fuente de alimentación conducto

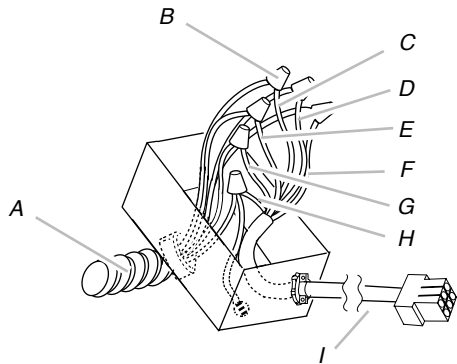
- 2 Conecte el conjunto de conector de 6 cables suministrado con el sistema del motor del soplador en línea al conector de acoplamiento de la campana extractora



A. Enchufe eléctrico (incluido en el kit)

B. Conector de la campana

- 3 Instale los aliviadores de tensión homologados o aprobados por UL. Deslice a través de éstos el conector de 6 cables y el conducto de cableado del soplador en línea (no incluido, dejando suficiente longitud del cable para realizar las conexiones del cableado).
- 4 Apriete los tornillos de alivio de tensión.
- 5 Conecte los cables del ensamble del conector de 6 cables a los cables del conducto de cableado dentro de la caja de terminales de la campana extractora.
- 6 Conecte los cables del mismo color entre sí (negro a negro, blanco a blanco, etc.) usando conectores de cables aprobados por UL. **NOTA:** Conecte el cable de tierra verde (o verde / amarillo) del conducto de cableado al cable de tierra verde (o desnudo) de la fuente de alimentación doméstica y al cable de tierra verde / amarillo del conjunto de conector de 6 cables (H) utilizando conectores de cables aprobados por UL (consulte la sección "Hacer conexiones de la fuente de alimentación eléctrica a la campana extractora" en las instrucciones de instalación de la campana extractora).



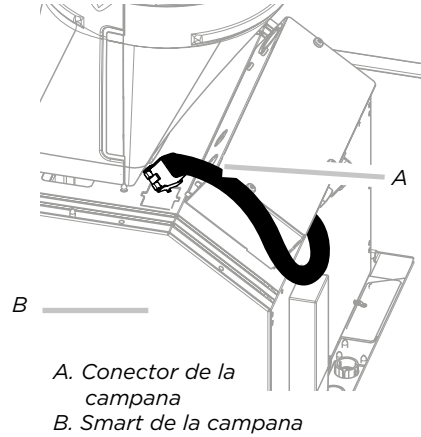
- | | |
|-----------------------------------------------------------|-----------------------------------------|
| A. Conducto de cableado de 1/2" aprobado por UL o por CSA | E. Cables rojos |
| B. Conectores aprobados por UL | F. Cables azules |
| C. Cables negros | G. Cables grises |
| D. Cables blancos | H. Cables verdes (o amarillos/verdes) |
| | I. Cable de enchufe eléctrico del motor |

- 7 Conecte el cableado de la fuente de alimentación doméstica a la campana extractora siguiendo las instrucciones que se suministran con la campana extractora.
- 8 Vuelva a instalar la tapa de la caja de terminales de la campana extractora.
- 9 Vuelva a conectar la potencia.

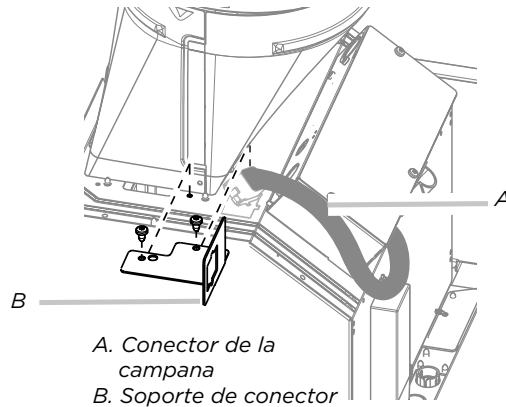
NOTE: Para los modelos de campana EVV636S1, EVV648S1, EVI642S1, EVI648S1 siga las siguientes instrucciones.

NOTE: Para los modelos de campana EVV636S1, EVV648S1, EVI642S1, EVI648S1 utilice el enchufe eléctrico de 9 cables.

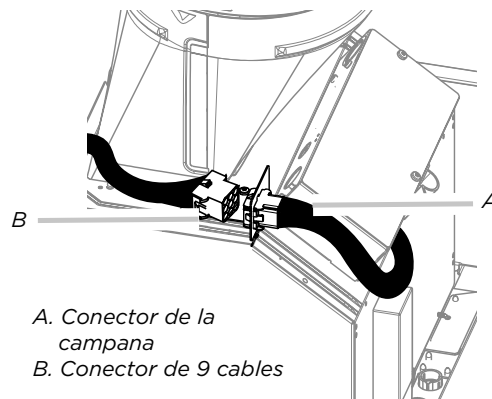
- 1 Con la campana extractora montada (consulte las instrucciones de instalación de la campana extractora), ubique el conector del cableado dentro de la campana extractora.
- 2 Desconecte el conector del ventilador del inserto de la campana.



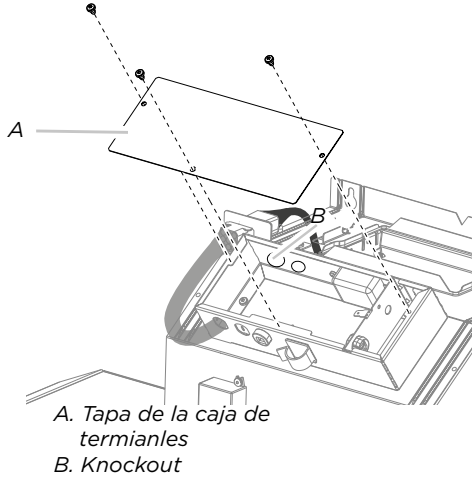
- 3 Instale el soporte del conector con tornillos (2) 4.2x8 mm incluidos en el kit; coloque el conector de la campana en la cavidad del soporte.



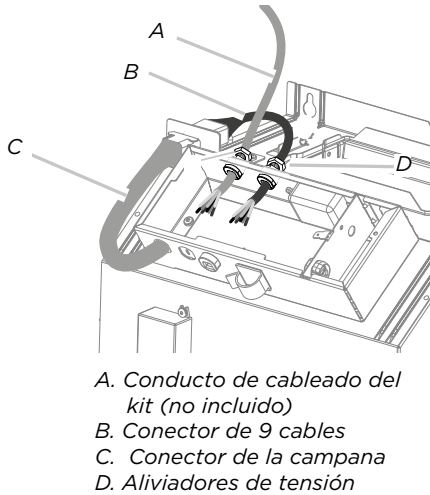
- 4 Conecte el conjunto del conector de 9 cables suministrado con el sistema del motor del ventilador en línea al conector de acoplamiento de la campana extractora.



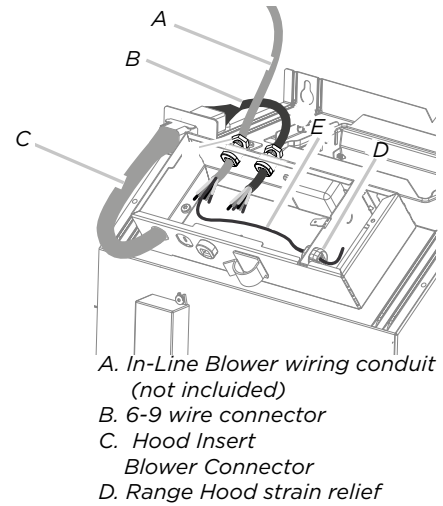
- 5 Retire los tornillos y la tapa de la caja de terminales de la campana.
- 6 Retire el knockout eléctrico de la caja de terminales de la campana.



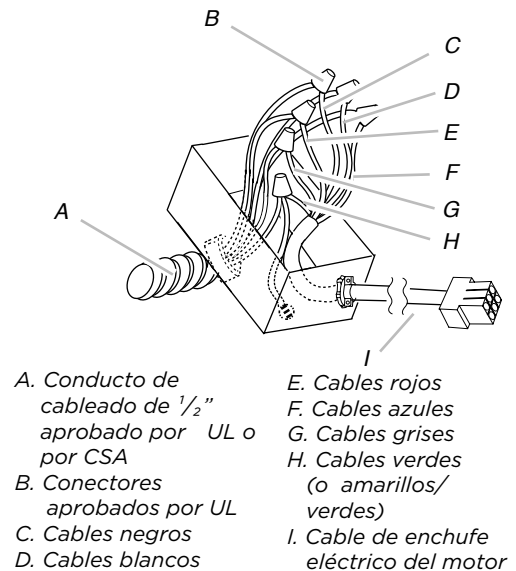
- 7 Instale los aliviadores de tensión homologados o aprobados por UL. Ejecute a través de los relés de tensión el conector de 9 cables y el conducto de cableado del soplador en línea (no incluido, dejando suficiente longitud de cable para realizar las conexiones del cableado).
- 8 Apriete los tornillos de alivio de tensión.



- 9 Retire el aliviador de tensión de la caja de terminales de la campana, pase el cable de tierra verde (o verde/amarillo) desde el conducto de cableado. Instale y apriete el aliviador de tensión.



- 10 Conecte los cables del conjunto del conector de 9 a los cables del conducto de cableado dentro de la caja de terminales de la campana extractora.
- 11 **NOTA:** Conecte el cable de tierra verde (o verde / amarillo) del conducto de cableado al cable de tierra verde (o desnudo) de la fuente de alimentación doméstica y al cable de tierra verde / amarillo del conjunto de conector de 9 cables (H) utilizando conectores de cables aprobados por UL (consulte la sección "Hacer conexiones de la fuente de alimentación eléctrica a la campana extractora" en las instrucciones de instalación de la campana extractora).



- 12 Conecte el cableado de la fuente de alimentación doméstica a la campana extractora siguiendo las instrucciones que se suministran con la campana extractora.
- 13 Vuelva a instalar la tapa de la caja de terminales de la campana extractora.
- 14 Vuelva a conectar la potencia.

PARA OBTENER SERVICIO DENTRO DE GARANTÍA

El propietario debe presentar su recibo original de la compra. Guarde por favor una copia de su recibo de compra como prueba, para recibir el servicio dentro del periodo de garantía.

PARTES Y GARANTÍA DE SERVICIO

Por el periodo de dos (2) años desde la fecha original de la compra, Elica proveerá, gratuitamente, partes no-consumibles o componentes que hayan fallado debido a defectos de fabricación. Durante estos dos (2) años de garantía limitada, Elica también proveerá gratuitamente, todo el servicio en casa y mano de obra necesaria para reemplazar cualquier parte defectuosa.

QUÉ NO ESTÁ CUBIERTO

- Daños o fallas del producto causados por accidente o actos de Dios, tales como inundaciones incendios o terremotos.
- Daños o fallas causadas por alteración del producto o por el uso de partes no-originales.
- Daños o fallas del producto causados durante la entrega, manejo o instalación.
- Daños o fallas del producto causados por abuso del usuario.
- Daños o fallas del producto causados por reemplazo de fusibles dañados o reseteo de interruptor de circuito.
- Daño o fallas causados por el uso del producto en un ambiente comercial (no doméstico).
- Viajes de servicio para proporcionar orientación de uso o instalación.
- Bombillas, filtros de carbón o metal y cualquier otra parte consumible.
- Desgaste normal.
- Desgaste terminal debido a abusos del usuario, mantenimiento inadecuado, uso de productos / toallas de limpieza corrosivos o abrasivos y por uso de limpiadores para hornos.

QUIÉN ESTÁ CUBIERTO

Esta garantía se extiende al comprador original de productos adquiridos para uso residencial en Norte América (incluyendo Estados Unidos, Guam, Puerto Rico, Islas Vírgenes de EU y Canadá).

Esta garantía no es transferible y aplica solamente al comprador original y no se extiende a propietarios subsecuentes del producto. Esta garantía se expresa en lugar de otras garantías, expresadas o implicadas, incluyendo, pero no limitada a ninguna garantía implicada de comercialización o adaptada para propósitos particulares y cualquier otra obligación por parte de Elica North America, considerando, sin embargo, que si la negación de garantías implícitas es inefectiva bajo la ley aplicable, la duración de cualquier garantía implícita será limitada a dos (2) años desde la fecha original de compra o por el periodo necesario como sea requerido por la ley aplicable.

Esta garantía no cubre cualquier daño especial, incidental y/o consecuente, ni pérdidas de ganancias, sufridas por el comprador original, sus clientes y/o usuarios del producto.

A QUIÉN CONTACTAR

Para obtener Servicio bajo Garantía o para cualquier pregunta relacionada a Servicio:

Favor de llamar a:

- Servicio Elica North America, llame a 1-888 732 8018
- Para el Este de Canadá, llame a Servicios AGI a 1-888 651 2534. Pregunte por el *Departamento de Servicio al Cliente*
- elica@servicepower.com

WIRING DIAGRAM
 SCHÉMA DE CÂBLAGE
 DIAGRAMA ELÉCTRICO

