



**READ AND SAVE THESE INSTRUCTIONS  
LISEZ CES INSTRUCTIONS ET CONSERVEZ-LES**

**THIS MANUAL IS FOR USE ONLY IN USA AND CANADA  
CE MANUEL EST UNIQUEMENT VALABLE AUX USA ET AU CANADA**

# READ AND SAVE THESE INSTRUCTIONS

## APPROVED FOR RESIDENTIAL APPLIANCES FOR RESIDENTIAL USE ONLY READ AND SAVE THESE INSTRUCTIONS

PLEASE READ ENTIRE INSTRUCTIONS BEFORE PROCEEDING.  
INSTALLATION MUST COMPLY WITH ALL LOCAL CODES.

**IMPORTANT:** Save these Instructions for the Local Electrical Inspector's use.

**INSTALLER:** Please leave these Instructions with this unit for the owner.

**OWNER:** Please retain these instructions for future reference.

**Safety Warning:** Turn off power circuit at service panel and lock out panel, before wiring this appliance.

**Requirement:** 120V, 60 Hz, 15 or 20 A Branch Circuit

**Removing the packaging**

**CAUTION!**

Remove carton carefully, Wear gloves to protect against sharp edges.

**WARNING!**

Remove the protective film covering the product before putting into operation.

**Note:** The parts marked with the symbol "(\*)" are optional accessories supplied only with some models or otherwise not supplied, but available for purchase.



### Important safety Notice

**CAUTION**

**FOR GENERAL VENTILATING USE ONLY. DO NOT USE TO EXHAUST HAZARDOUS OR EXPLOSIVE MATERIALS OR VAPOURS.**

**WARNING**

**TO REDUCE THE RISK OF FIRE, ELECTRIC SHOCK, OR INJURY TO PERSONS, OBSERVE THE FOLLOWING:**

- A. Use this unit only in the manner intended by the manufacturer. If you have questions, contact the manufacturer.
- B. Before servicing or cleaning the unit, switch power off at service panel and lock service panel disconnecting means to prevent power from being switched on accidentally. When the service disconnecting means cannot be locked, securely fasten a prominent warning

device, such as a tag, to the service panel.

**WARNING**

**TO REDUCE THE RISK OF FIRE, ELECTRIC SHOCK, OR INJURY TO PERSONS, OBSERVE THE FOLLOWING:**

- A. Installation Work and Electrical Wiring Must Be Done By Qualified Person(s) In Accordance With All Applicable Codes & Standards, Including Fire-rated Construction.
- B. Sufficient air is needed for proper combustion and exhausting of gases through the flue (Chimney) of fuel burning equipment to prevent back-drafting. Follow the heating equipment manufacturers guideline and safety standards such as those published by the National Fire Protection Association (NFPA), the American Society for Heating, Refrigeration and Air Conditioning Engineers (ASHRAE), and the local code authorities.
- C. When cutting or drilling into wall or ceiling, do not damage electrical wiring and other hidden utilities.
- D. Ducted systems must always be vented to the outdoors.

**CAUTION**

**To reduce risk of fire and to properly exhaust air, be sure to duct air outside - do not vent exhaust air into spaces within walls, ceilings, attics, crawl spaces, or garages.**

**WARNING**

**TO REDUCE THE RISK OF FIRE, USE ONLY METAL DUCT WORK.**

Install this hood in accordance with all requirements specified.

**WARNING**

**To Reduce The Risk Of Fire Or Electric Shock, Do Not Use This Hood With Any External Solid State Speed Control Device.**

**WARNING**

**TO REDUCE THE RISK OF A RANGE TOP GREASE FIRE.**

- a) Never leave surface units unattended at high settings. Boilovers cause smoking and greasy spillovers that may ignite. Heat oils slowly on low or medium settings.
- b) Always turn hood ON when cooking at high heat or when flambeing food (I.e. Crepes Suzette, Cherries Jubilee, Peppercorn Beef Flambe').
- c) Clean ventilating fans frequently. Grease should not be allowed to accumulate on fan or filter.

- d) Use proper pan size. Always use cookware appropriate for the size of the surface element.

## WARNING

**TO REDUCE THE RISK OF INJURY TO PERSONS, IN THE EVENT OF A RANGE TOP GREASE FIRE, OBSERVE THE FOLLOWING<sup>a</sup>:**

- a) SMOTHER FLAMES with a close-fitting lid, cookie sheet, or other metal tray, then turn off the gas burner or the electric element. BE CAREFUL TO PREVENT BURNS. If the flames do not go out immediately, EVACUATE AND CALL THE FIRE DEPARTMENT.
- b) NEVER PICK UP A FLAMING PAN - you may be burned.
- c) DO NOT USE WATER, including wet dishcloths or towels - a violent steam explosion will result.
- d) Use an extinguisher **ONLY** if:
  - 1) You know you have a class ABC extinguisher, and you already know how to operate it.
  - 2) The fire is small and contained in the area where it started.
  - 3) The fire department is being called.
  - 4) You can fight the fire with your back to an exit.

<sup>a</sup>Based on "Kitchen Firesafety Tips" published by NFPA.

## OPERATION

a. Always leave safety grills and filters in place. Without these components, operating blowers could catch onto hair, fingers and loose clothing.

The manufacturer declines all responsibility in the event of failure to observe the instructions given here for installation, maintenance and suitable use of the product. The manufacturer further declines all responsibility for injury due to negligence and the warranty of the unit automatically expires due to improper maintenance.

# Electrical & Installation requirements

## Electrical requirements

### IMPORTANT

Observe all local codes and ordinances.

It is the customer's responsibility:

To contact a qualified electrical installer.

To assure that the electrical installation is adequate and in conformance with National Electrical Code, ANSI/NFPA 70 — latest edition\*, or CSA Standards C22.1-94, Canadian Electrical Code, Part 1 and C22.2 No.0-M91 - latest edition\*\* and all local codes and ordinances.

If codes permit and a separate ground wire is used, it is recommended that a qualified electrician determine that the ground path is adequate.

### GROUNDING INSTRUCTIONS

This appliance must be grounded. In the event of an electrical short circuit, grounding reduces the risk of electric shock by providing an escape wire for the electric current. This appliance is equipped with a cord having a grounding wire with a grounding plug. The plug must be plugged into an outlet that is properly installed and grounded.

**WARNING** – Improper grounding can result in a risk of electric shock.

Consult a qualified electrician if the grounding instructions are not completely understood, or if doubt exists as to whether the appliance is properly grounded.

Do not use an extension cord. If the power supply cord is too short, have a qualified electrician install an outlet near the appliance.

Do not ground to a gas pipe.

Check with a qualified electrician if you are not sure range hood is properly grounded.

Do not have a fuse in the neutral or ground circuit.

Do not operate any fan with a damaged cord or plug. Discard fan or return to an authorized service facility for examination and/or repair.

Do not run cord under carpeting.

Do not cover cord with throw rugs, runners, or similar coverings. Do not route cord under furniture or appliances. Arrange cord away from traffic area and where it will not be tripped over.

### IMPORTANT

Save Installation Instructions for electrical inspector's use.

The range hood should be connected directly to the fused disconnect (Or circuit breaker).

Wire sizes must conform to the requirements of the National Electrical Code ANSI/NFPA 70 — latest edition\*, or CSA Standards C22.1-94, Canadian Electrical Code Part 1 and C22.2 No. 0-M91 - latest edition\*\* and all local codes and ordinances.

Copies of the standards listed may be obtained from:

\* National Fire Protection Association Batterymarch Park  
Quincy, Massachusetts 02269

\*\* CSA International 8501 East Pleasant Valley Road  
Cleveland, Ohio 44131-5575

### **Before installing the hood**

1. For the most efficient air flow exhaust, use a straight run or as few elbows as possible.  
**CAUTION:** Vent unit to outside of building, only.
2. At least two people are necessary for installation. Wear gloves to protect against sharp edges.
3. Fittings material is provided to secure the hood to most types of walls/ceilings, consult a Qualified Installer, check if they perfectly fit with your cabinet/wall.
4. Do not use flex ducting.
5. COLD WEATHER installations should have an additional backdraft damper installed to minimize backward cold air flow and a nonmetallic thermal break to minimize conduction of outside temperatures as part of the ductwork. The damper should be on the cold air side of the thermal break.  
The break should be as close as possible to where the ducting enters the heated portion of the house.
6. Make up air: Local building codes may require the use of Make-Up Air Systems when using Ducted Ventilation Systems greater than specified CFM of air movement. The specified CFM varies from locale to locale. Consult your HVAC professional for specific requirements in your area.

All fastener location must span the studs otherwise proceed as follows:

Cutout drywall along marked lines. Install wood blocking between studs and make sure it is flush with existing stud front. Make sure all mounting screws will anchor to added studs. Replace drywall and refinish.

**When used in recirculation mode, To Reduce the Risk of Fire and Shock use only conversion kit Model KIT REVOLUTION FILT. NEW SMART.**

## Use

The hood is designed to be used either for exhausting or filter version.



### Extraction version

In this case the fumes are conveyed outside of the building by means of a special pipe connected with the connection ring located on top of the hood.



### CAUTION!

The exhausting pipe is not supplied and must be purchased apart.

Diameter of the exhausting pipe must be equal to that of the connection ring.



### CAUTION!

If the hood is supplied with active charcoal filter, then it must be removed.

Connect the hood and discharge holes on the walls with a diameter equivalent to the air outlet (connection flange).

Using the tubes and discharge holes on walls with smaller dimensions will cause a diminution of the suction performance and a drastic increase in noise.

Any responsibility in the matter is therefore declined.

! Use a duct of the minimum indispensable length.

! Use a duct with as few elbows as possible (maximum elbow angle: 90°).

! Avoid drastic changes in the duct cross-section.



### Filtration version

The aspirated air will be degreased and deodorised before being fed back into the room.

In order to use the hood in this version, you have to install a system of additional filtering based on activated charcoal.

## Installation

**Specialised personnel must carry out both the electrical and the mechanical installation.**

Do not cut a joist or stud unless absolutely necessary. If a joist or stud must be cut, then a supporting frame must be constructed.

Fittings material is provided to secure the hood to most types of walls/ceilings.

However, a qualified technician must verify suitability of the materials in accordance with the type of wall/ceiling.

Before making cutouts, make sure there is proper clearance within the ceiling or wall for exhaust vent.

Hood installation height above cooktop is the users preference. The lower the hood is above the cooktop, the more efficient the capturing of cooking odors, grease and smoke.

### CAUTION: FOR GAS RANGES

**INSTALLATION: MOUNT THIS HOOD SO THAT THE BOTTOM EDGE IS AT 32 1/2" (82 cm) ABOVE THE COOKING SURFACE.**

### FOR ELECTRIC RANGES INSTALLATION:

**MOUNT THIS HOOD SO THAT THE BOTTOM EDGE IS NOT LESS THAN 32 1/2" (82 cm) AND NO MORE THAN 36" (91,4 CM) ABOVE THE COOKING SURFACE.**

**HOUSEHOLD USE. PLEASE, READ INSTALLATION MANUAL FOR SPECIFIC APPLICATION.**

**Check your ceiling height and the hood height maximum before you select your hood.**

**Consult last pages of this manual for installation instruction and electrical connection steps.**

## Operation



This product is designed to work with an Elica remote control, either supplied with the product or purchased separately as an optional.

To control the hood via remote control, the affiliation procedure must be carried out.

### CAUTION!

To begin, the hood must be disconnected and then reconnected to the power supply and the affiliation procedure must be carried out within the first minute of connection to the power.

Read the instructions supplied with the remote control, which provide detailed instructions on affiliation and correct use.

**Note:** Using the remote control, delayed shut-down can be programmed based on the aspiration speed (power) enabled at that moment:

- Speed 1** (low aspiration): 20 minutes
- Speed 2** (medium aspiration): 15 minutes
- Speed 3** (high aspiration): 10 minutes

### Control panel with 7 buttons

To select the functions of the hood you simply touch the controls.



**Automatic operation (sensor) and connection with SNAP® and Elica hob**  
(See related section)



**Button ON/OFF lighting**  
Press briefly to switch on or off the lighting of the hob. Press and hold to switch on or off the room lighting (only on certain models).



**Button for intensive speed (suction power) selection** – it lasts 5 minutes then it returns to medium speed (suction power) or it switches off if the delayed shutdown of the hood is activated (only with remote control). The button flashes in both cases to indicate speed timing.



**Button for high speed (suction power) selection.**  
The button flashes if the delayed shutdown of the hood is activated (only with remote control).



**Button for medium speed (suction power) selection**  
The button flashes if the delayed shutdown of the hood is activated (only with remote control).



**Button for low speed (suction power) selection** – when flashing, it indicates that you must wash the grease filter.  
The button flashes if the delayed shutdown of the hood is activated (only with remote control).



**Button OFF motor (stand by)**

### Indicators of Filter Saturation

At regular time intervals, the hood signals the need to perform filter maintenance.



Button on with steady light: perform grease filter maintenance.



Button flashing: perform activated charcoal filter maintenance.

**Note:** Filter saturation signal is visible within the first minute after switching off the hood; within this time, the reset of saturation indicators must be performed.

### Reset of filter saturation indicators:



Press and hold the button

### Activation of saturation indicator activated charcoal filter

**Note:** this operation must be performed with the hood off. This indicator is normally deactivated; press and hold the



button to activate the function: the button lights up with steady light.

To deactivate the function, press and hold the button



: the button lights up flashing.

### Automatic operation (sensor), connection with SNAP® and Elica hob

**Attention!** The proper operation of the hood will depend on the '**Setting of parameters for Automatic Operation**' (see dedicated section)

**Note:** Automatic operation with the hob is only possible with specific hobs. For further details, please contact the official dealer or authorised technical assistance centre.

### Automatic operation (sensor)



Press the button (the central LED lights up in white).

The hood will switch on at the most suitable speed based on the cooking fumes detected by the sensor on the hood.

### Automatic operation of the hood with SNAP®



Press the button (the LEDs light up in orange) to indicate that the hood can operate automatically with the SNAP®

**Note:** SNAP® is an auxiliary suction unit that can operate together with the hood. For further information, please consult the manual supplied with SNAP®

### Automatic operation of the hood with the Elica hob

Operation of the hood will also depend on use of the Elica hob.





Press the button (the LEDs light up in white) to indicate that the hood can automatically operate with the

Elica hob; thus, hood operation will also depend on use of the Elica hob.

**Note:** Automatic operation with the hob is possible only with specific cooking hobs; for further details, please contact the authorised dealer or technical assistance centre.

### Automatic operation of the hood with SNAP® and Elica hob

Press the button  (the LEDs  light up in orange) to indicate that the hood can operate automatically with the hob and the SNAP®

### Setting of parameters for Automatic Operation

**Note:** All calibration, selection, setting and logical connection operations described below can be performed with the hood off (OFF).

The adjustment of parameters is regularly done **automatically** every time the hood is reconnected to the mains (e.g. with the first installation or after a blackout) or **manually**.

### Manual setting

To be performed when you notice unsatisfactory functioning of the Automatic operation, and is done when normal environmental conditions persist in the kitchen.






Manual setting includes:

- *Hood calibration*
- Selection of hob (gas, induction, or electric)
- Logical connection between the hood and the hob (if you have an Elica hob).
- Logical connection between the hood and SNAP® (if you have SNAP®).


### Hood calibration


Press and hold the button , all button LEDs flash to indicate initiation of calibration; the process will last for approximately 5 minutes.


### Selection of the hob (gas, induction, or electric)

Press and hold simultaneously the buttons  and : buttons ,  and  start flashing for 5 seconds.

**Within this timeframe**, press:

button  in case of gas hob

button  in case of electric hob

button  in case of induction hob

The preselected button remains lit to indicate the

selection was performed, after 10 seconds the button flashes briefly to indicate that the performed selection was recorded.

### Logical connection between the hood and the hob (if you have an Elica hob).

- a. Simultaneously connect the hood and Elica hob.
- b. the hood emits 2 acoustic signals (beeps) to indicate that it can receive the connection signal from the Elica hob.
- c. the connection attempts with the Elica hob last for 5 minutes; within this time, the hood emits 3 consecutive acoustic signals (beeps) to indicate the successful connection with the Elica hob.
- d. Check the successful connection with the Elica

hob: Press the button , (the LEDs  light up in white).

**In case the logical connection between the hood and Elica hob is not successful, proceed as indicated below:**

Disconnect and reconnect the hood from/to the mains at least 5 times within 30 seconds.

Repeat the operations **a-b-c-d** described above

### Logical connection between the hood and SNAP® (if you possess a SNAP®).

Connection between the hood and SNAP® is automatic. No other setting has to be performed.

## User Servicing and Maintenance Instructions

### Cleaning

Clean using **ONLY** the cloth dampened with neutral liquid detergent. **DO NOT CLEAN WITH TOOLS OR INSTRUMENTS.** Do not use abrasive products. **DO NOT USE ALCOHOL!**

### Steam screen

The steam screen must always be left closed and opened only for maintenance (e.g. cleaning or changing filters).

### Fig. 12-15

### Grease filter

#### Fig. 27-30

#### Traps cooking grease particles.

This must be cleaned once a month (or when the filter saturation indication system – if envisaged on the model in possession – indicates this necessity) using non aggressive detergents, either by hand or in the dishwasher, which must be set to a low temperature and a short cycle.

When washed in a dishwasher, the grease filter may discolor slightly, but this does not affect its filtering capacity.

### Charcoal filter (filter version only)

#### Fig. 29

**It absorbs unpleasant odors caused by cooking.**

The charcoal filter can be washed once every two months (or

when the filter saturation indication system – if envisaged on the model in possession – indicates this necessity) using hot water and a suitable detergent, or in a dishwasher at 65°C (if the dishwasher is used, select the full cycle function and leave dishes out).

Eliminate excess water without damaging the filter, then put it in the oven for 10 minutes at 100° C to dry completely. Replace the mattress every 3 years and when the cloth is damaged.

### **Replacing lamps**

The hood is equipped with a lighting system based on LED technology.

The LEDs guarantee an optimum lighting, a duration up to 10 times as long as the traditional lamps and allow to save 90% electrical energy.

For replacement, contact the technical service.



# LISEZ CES INSTRUCTIONS ET CONSERVEZ-LES

**APPROUVÉ POUR LES APPAREILS DE TYPE  
RÉSIDENTIEL  
POUR UNE UTILISATION RÉSIDENNELLE  
SEULEMENT**

**LISEZ CES INSTRUCTIONS ET CONSERVEZ-LES**

**VEUILLEZ LIRE CES INSTRUCTIONS AU COMPLET  
AVANT DE COMMENCER.**

**L'INSTALLATION DE L'APPAREIL DOIT RESPECTER  
TOUS LES CODES EN VIGUEUR.**

**IMPORTANT : Conservez ces instructions afin de pouvoir  
les remettre à l'inspecteur-électricien de votre région.**

**INSTALLATEUR : Veuillez laisser ces instructions avec  
l'appareil pour le propriétaire.**

**PROPRIÉTAIRE : Veuillez conserver ces instructions pour  
pouvoir vous y référer plus tard.**

**Avertissement de sécurité : Coupez l'alimentation du  
circuit dans le panneau électrique et verrouillez le  
panneau avant de raccorder les fils de cet appareil.**

**Exigence : Circuit de dérivation de 120V, 60 Hz, 15 ou 20  
A.**

**Enlever l'emballage**

**ATTENTION!**

**Enlever le carton avec précaution, porter des gants pour  
se protéger des parties coupantes.**

**AVERTISSEMENT!**

**Enlever le film de protection qui recouvre le produit avant  
de l'utiliser.**

**Remarque : Les pièces portant le symbole "(\*)" sont des  
accessoires optionnels fournis uniquement avec certains  
modèles ou des pièces non fournies, à acheter.**



**Avis de sécurité important**

**ATTENTION**

**UTILISER CET APPAREIL À DES FINS DE VENTILATION  
GÉNÉRALE SEULEMENT. NE PAS UTILISER CET  
APPAREIL POUR ÉVACUER DES MATÉRIAUX OU DES  
VAPEURS DANGEREUX OU EXPLOSIFS.**

**AVERTISSEMENT**

**POUR RÉDUIRE LES RISQUES D'INCENDIE, DE CHOC  
ÉLECTRIQUE ET DE BLESSURE, RESPECTER LES  
DIRECTIVES SUIVANTES :**

**A. Utiliser cet appareil uniquement aux fins prévues par le  
fabricant. Si vous avez des questions à propos de l'appareil,  
communiquez avec le fabricant.**

**B. Avant de faire l'entretien de l'appareil ou de le nettoyer,  
coupez l'alimentation dans le panneau électrique et  
verrouillez le panneau en bloquant le dispositif**

permettant d'empêcher d'activer l'alimentation  
accidentellement. S'il n'est pas possible de verrouiller  
l'accès au panneau, fixez une étiquette très voyante au  
panneau électrique.

**AVERTISSEMENT**

**POUR RÉDUIRE LES RISQUES D'INCENDIE, DE CHOC  
ÉLECTRIQUE ET DE BLESSURE, RESPECTER LES  
DIRECTIVES SUIVANTES :**

- A. Une personne qualifiée doit effectuer l'installation et le  
câblage des fils électriques en conformité avec tous les  
codes et toutes les normes, y compris la cote de  
résistance au feu.**
- B. Il est important de prévoir suffisamment d'air pour  
assurer une bonne combustion de l'équipement de  
chauffe et l'évacuation adéquates des gaz par le conduit  
de cheminé afin de prévenir les refoulements d'air.  
Respectez les directives et les normes de sécurité des  
fabricants de l'équipement de chauffage, comme celles  
publiées par la National Fire Protection Association  
(NFPA), la American Society for Heating, Refrigeration  
and Air Conditioning Engineers (ASHRAE) et le code des  
autorités de votre région.**
- C. Au moment de couper ou de percer un mur ou un  
plafond, assurez-vous de ne pas endommager la filerie  
électrique ou tout autre accès à un service public.**
- D. Il faut toujours évacuer à l'extérieur les systèmes à  
conduit.**

**ATTENTION**

**Pour réduire les risques d'incendie et évacuer l'air  
correctement, assurez-vous que le conduit mène à  
l'extérieur; il ne faut pas évacuer l'air dans l'espace entre  
les murs, dans les plafonds, dans les greniers, les vides  
sanitaires ou les garages.**

**AVERTISSEMENT**

**POUR RÉDUIRE DES RISQUES D'INCENDIE, UTILISEZ  
UNIQUEMENT DES CONDUITS EN MÉTAL.**

Installez cette hotte en respectant toutes les exigences  
mentionnées.

**AVERTISSEMENT**

**Pour réduire les risques d'incendie et de choc électrique,  
n'utilisez pas cette hotte avec un contrôleur de vitesse à  
semi-conducteurs.**

**AVERTISSEMENT**

**POUR RÉDUIRE LES RISQUES D'INCENDIE DE GRAISSE**

## **SUR LES CUISINIÈRES.**

- a) Ne laissez jamais la cuisinière sans surveillance lorsqu'elle est réglée à une haute température. Les débordements par bouillonnement causent de la fumée et des débordements de gras qui peuvent s'enflammer. Faites chauffer l'huile lentement, à une température basse ou moyenne.
- b) Faites toujours fonctionner la hotte lorsque vous utilisez la cuisinière à une haute température ou que vous faites flamber des aliments (P. ex. : crêpes Suzette, cerises jubiléées, bœuf au poivre flambé).
- c) Nettoyez les hélices de ventilation fréquemment. Il ne faut pas que la graisse s'accumule sur les filtres ou les hélices.
- d) Utilisez le bon format de casserole. Utilisez toujours un chaudron de taille approprié à l'élément de la cuisinière.

## **AVERTISSEMENT**

### **POUR ÉVITER DE BLESSER QUELQU'UN LORS D'UN INCENDIE DE GRAISSE SUR LA CUISINIÈRE, SUIVRE**

#### **LES CONSEILS SUIVANTS<sup>a</sup>**

- a) **ÉTOUFFER LES FLAMMES** avec un couvercle aux dimensions de la tôle de cuisson, une tôle à biscuit ou tout autre plateau métallique, puis couper le gaz ou l'alimentation électrique de la cuisinière. **FAIRE ATTENTION A NE PAS SE BRÛLER.** Si les flammes ne s'éteignent pas immédiatement, **QUITTER LA PIÈCE ET APPELER LES POMPIERS.**
- b) **NE JAMAIS PRENDRE EN MAIN UNE CASSEROLE EN FEU,** vous pourriez vous blesser.
- c) **NE PAS UTILISER D'EAU,** y compris les essuies de vaisselle ou les serviettes humides – une violente explosion due à la vapeur formée pourrait survenir.
- d) Utiliser un extincteur **SEULEMENT** si:
  - 1) Vous êtes sûr d'avoir un extincteur de classe ABC que vous savez utiliser.
  - 2) Le feu est petit et confiné à la zone où il s'est formé.
  - 3) Les pompiers ont été appelés.
  - 4) Vous pouvez lutter contre le feu avec une sortie derrière vous.

<sup>a</sup>Basé sur "Kitchen Firesafety Tips" publié par NFPA.

## **MODE OPÉRATEUR**

- a. Toujours laisser les grilles de sécurité et les filtres à leur place. Sans la présence de ces derniers, les parties aspirantes pourraient attirer les cheveux, les doigts ou les vêtements.

Le fabricant décline toute responsabilité si les informations détaillées dans ce manuel pour l'installation, l'entretien et l'utilisation adéquate du produit ne sont pas observées. Le fabricant décline en outre toute responsabilité pour d'éventuelles blessures dues à des négligences; en outre, la garantie de l'appareil sera annulée suite à des conditions d'entretien inappropriées. Cet appareil est fabriqué pour un usage interne. Ne pas utiliser cet appareil à l'extérieur.

# Exigences électriques et exigences d'installation

## Exigences électriques

### IMPORTANT

Respectez tous les codes et les ordonnances en vigueur.

Le client a la responsabilité de :

Contacter un électricien-installateur.

Vérifier que l'installation électrique est adéquate et conforme avec le Code national de l'électricité, ANSI/NFPA 70 (la plus récente édition\*), ou les normes C22.1-94, Code canadien de l'électricité, Partie 1 et C22.2 No.0-M91 (La plus récente édition\*\*) de la CSA, ainsi que tous les codes et les ordonnances de votre région.

Si le code le permet et que vous utilisez un fil de mise à la terre distinct, il est recommandé de faire vérifier le chemin du fil par un électricien.

### INSTRUCTIONS POUR LE RACCORDEMENT A LA TERRE

Cet appareil doit être raccordé à la terre. En cas de court-circuit, la mise à la terre diminue le risque de choc électrique en fournissant un fil de sortie pour le courant électrique. Cet appareil est doté d'un câble de terre avec une attache de mise à la terre. La fiche doit être branchée à une prise conforme et bien raccordée à la terre.

**AVERTISSEMENT** – Une mise à la terre non correcte peut entraîner un choc électrique.

Consulter un électricien qualifié si vous ne comprenez pas complètement les instructions de raccordement, ou en cas de doute sur la mise à la terre réelle de l'appareil.

Ne pas utiliser de rallonge. Si le câble d'alimentation est trop court, faire installer une prise à proximité par un électricien qualifié.

Ne pas mettre l'appareil à la terre sur une conduite de gaz. Consultez un électricien qualifié si vous n'êtes pas certain que la hotte est mise à la terre correctement. N'installez pas un fusible dans le circuit neutre ou le circuit de mise à la terre.

Ne jamais faire fonctionner le ventilateur avec un fil ou une fiche endommagée. Jeter le ventilateur ou le rapporter au service après-vente pour l'examiner et/ou le faire réparer.

Ne pas faire passer les fils en-dessous des tapis. Ne pas couvrir les fils avec des tapis, des chemins de couloir, ou des choses similaires. Ne pas faire passer le fil en-dessous de meubles ou d'appareils. Mettre le fil en dehors des zones de passage et où l'on ne peut pas accrocher le fil.

### IMPORTANT

Conservez ces instructions afin de pouvoir les remettre à l'inspecteur-électricien.

Il faut raccorder la hotte directement à une boîte à fusible ou à un disjoncteur.

Le calibre de fil doit être conforme aux exigences du Code national de l'électricité, ANSI/NFPA 70 (La plus récente édition\*), ou les normes C22.1-94, Code canadien de l'électricité, Partie 1 et C22.2 0-M91 (La plus récente édition\*\*) de la CSA, ainsi que tous les codes et les ordonnances de votre région.

Vous pouvez obtenir un exemplaire des normes indiquées en vous adressant à :

\* La National Fire Protection Association, Batterymarch Park Quincy, Massachusetts, 02269

\*\* La CSA International, 8501 East Pleasant Valley Road, Cleveland, Ohio, 44131-5575

## Avant d'installer la hotte

1. Pour assurer la ventilation la plus efficace possible, installez la conduite en ligne droite ou avec le moins de coudes possibles.  
**ATTENTION** : La sortie de la conduite de ventilation doit donner sur l'extérieur.
2. Deux personnes sont nécessaires pour effectuer l'installation. Porter des gants pour se protéger des bords coupants.
3. La quincaillerie fournie permet de fixer la hotte à la plupart des murs et des plafonds; consultez un installateur qualifié pour vous assurer que la quincaillerie fournie est adaptée à votre type de mur ou d'armoire.
4. N'utilisez pas de conduit flexible.
5. Dans le cas des endroits sujets aux TEMPÉRATURES FROIDES, il faut installer un clapet de contre-tirage supplémentaire afin de minimiser le retour d'air froid et un isolant thermique non métallique afin de minimiser la conduction de la température extérieur dans le conduit. Il faut placer le clapet du côté de l'air froid de l'isolant thermique.  
L'isolant doit être placé le plus près possible de l'endroit où le conduit entre dans la partie chauffée de la maison.
6. Air d'appoint : Le code du bâtiment de votre région peut exiger l'utilisation d'un système d'air d'appoint si vous utilisez un système de ventilation à conduit dont le mouvement d'air dépasse un certain nombre de CFM. Le nombre de pi<sup>3</sup>/min varie d'une région à l'autre. Consultez un professionnel de CVC pour connaître les exigences précises de votre région.

Les marques d'ouverture de fixation doivent toutes se trouver entre deux montants, sinon procédez de la façon suivante : Coupez la cloison sèche en suivant les lignes marquées. Installez perpendiculairement entre deux montants une pièce de bois pour qu'elle soit alignée avec les montants existants. Assurez-vous que les vis de fixation s'enfoncent dans ces nouveaux montants. Remplacez la cloison sèche et refaites le fini de la surface.

**Lorsqu'il est utilisé en mode de recirculation, Pour Réduire Les Risques d'Incendie Et De Choc utiliser seulement kits de conversion Modèle KIT REVOLUTION FILT. NEW SMART.**

## Utilisation

La hotte est réalisée de façon qu'elle puisse être utilisée en version aspirante à évacuation extérieure, ou filtrante à recyclage intérieur.



### Versión aspirante

Les vapeurs sont évacuées vers l'extérieur à travers un conduit d'évacuation fixé à la bride de raccord qui se trouve au-dessus de la hotte.



### ATTENTION!

Le tuyau d'évacuation n'est pas fourni et doit être acheté à part.

Le diamètre du tuyau d'évacuation doit être égal à celui de la bride de raccord.



### ATTENTION!

Si la hotte est équipée d'un filtre à charbon, ce dernier doit être enlevé.

Relier la hotte aux tubes et trous d'évacuation de la paroi d'un diamètre équivalent à la sortie de l'air (collier de raccord).

L'utilisation de tubes et des trous d'évacuation à paroi avec un diamètre inférieur entraînera une diminution des performances d'aspiration et une nette augmentation du bruit. Nous déclinons toute responsabilité à cet égard.

! Utiliser un tuyau de la longueur strictement nécessaire.

! Les coudes du tuyau doivent être en nombre minime (angle maxi du coude: 90°).

! Éviter les variations excessives de section du tuyau.



### Versión filtrante

L'air d'aspiration sera dégraissé et désodorisé avant d'être renvoyé dans la pièce.

Pour utiliser la hotte dans cette version, vous devez installer un système de filtrage supplémentaire basé sur charbon actif.

## Installation

**L'installation, aussi bien électrique que mécanique doit être effectuée par du personnel qualifié.**

Ne coupez pas une solive ou un montant à moins qu'il soit absolument nécessaire de le faire. Si vous devez couper une solive ou un montant, vous devez construire un cadre de soutien.

La quincaillerie fournie permet de fixer la hotte à la plupart des murs et des plafonds. Vous devez cependant demander à un technicien qualifié de vérifier la solidité des matériaux selon le type de mur ou de plafond.

Avant de couper, assurez-vous qu'il y a un dégagement suffisant dans le plafond ou le mur pour passer la conduite de sortie.

Vous pouvez déterminer vous-même la hauteur à laquelle vous installez la hotte au dessus de la cuisinière. Plus la hotte est près de la cuisinière, plus elle est efficace à capter les odeurs de cuisson, la graisse et la fumée.

**ATTENTION: POUR L'INSTALLATION DES CUISINIÈRES A GAZ: METTEZ LA HOTTE AFIN D'AVOIR ENTRE LE BORD INFÉRIEUR DE LA HOTTE ET LE PLAN DE CUISSON UNE DISTANCE DE 32 1/2" (82 cm).**

**POUR DES CUISINIÈRES ÉLECTRIQUES: LA DISTANCE ENTRE LE BORD INFÉRIEUR DE LA HOTTE ET LE PLAN DE CUISSON NE DÔIT PAS ÊTRE INFÉRIEURE DE 32 1/2" (82 cm) ET SUPÉRIEURE DE 36" (91,4 cm).**

**EMPLOI DOMESTIQUE. LIRE ATTENTIVEMENT LE LIVRET INSTRUCTIONS POUR DES APPLICATIONS SPÉCIFIQUES.**

Vérifiez donc la hauteur de votre plafond et la hauteur maximum de la hotte avant de choisir votre modèle de hotte.

Reportez-vous aux dernières pages de ce manuel pour les instructions d'installation et le raccordement électrique.

## Fonctionnement



Cet appareil est prévu pour fonctionner avec la radiocommande Elica, fournie avec le produit ou disponible séparément comme accessoire.

Pour pouvoir contrôler la hotte avec la radiocommande il faut d'abord effectuer la procédure d'affiliation.

### ATTENTION!

Pour commencer, il faut débrancher et rebrancher la hotte au

réseau électrique et effectuer la procédure d'affiliation dans la première minute qui suit l'alimentation.

Lire les instructions fournies avec la radiocommande où figurent toutes les informations pour l'affiliation et l'utilisation correcte.

**Remarque :** Avec la télécommande, il est possible de programmer l'arrêt retardé en fonction de la vitesse (puissance) d'aspiration active à ce moment-là :

**Vitesse 1** (aspiration basse) : 20 minutes

**Vitesse 2** (aspiration moyenne) : 15 minutes

**Vitesse 3** (aspiration élevée) : 10 minutes

## Panneau de contrôle avec 7 boutons

Pour sélectionner les fonctions de la hotte il suffit de toucher les contrôles.



**Fonctionnement automatique (capteur) et connexion avec SNAP® et le plan de cuisson Elica** (Voir le Paragraphe correspondant)



**Bouton ON/OFF éclairage**

Appuyez brièvement pour activer ou désactiver l'éclairage de la plaque de cuisson.

Appuyez longuement pour activer ou désactiver l'éclairage ambiant (certains modèles seulement).



**Bouton de sélection vitesse** (puissance d'aspiration) **intensive** – durée de 5 minutes et ensuite la hotte revient à la vitesse (puissance d'aspiration) moyenne ou s'éteint si l'arrêt retardé de la hotte est activé (uniquement avec télécommande).

La touche clignote dans les deux cas pour indiquer la temporisation de la vitesse.



**Bouton de sélection vitesse** (puissance d'aspiration) **haute**.

La touche clignote si l'arrêt retardé de la hotte est activé (uniquement avec télécommande).



**Bouton de sélection vitesse** (puissance d'aspiration) **moyenne**.

La touche clignote si l'arrêt retardé de la hotte est activé (uniquement avec télécommande).



**Bouton de sélection vitesse** (puissance d'aspiration) **basse** – le clignotement indique la nécessité de laver le filtre à graisse.

La touche clignote si l'arrêt retardé de la

hotte est activé (uniquement avec télécommande).



**Bouton OFF moteur** (stand by)

### Indicateurs de Saturation filtres

À intervalles réguliers, la hotte indique la nécessité d'effectuer l'entretien des filtres.



Touche éclairée à lumière fixe: effectuer l'entretien du filtre à graisse.



Touche éclairée clignotante: effectuer l'entretien du filtre à charbon actif.

**Note:** L'indication de la saturation des filtres est visible pendant la première minute après l'arrêt de la hotte; dans ce délai, la réinitialisation des indicateurs de saturation doit être effectuée.

### Reset indicateurs de saturation filtres:



Appuyez longuement sur la touche

### Activation indicateur de saturation filtre à charbon actif

**Remarque:** cette opération doit être effectuée avec la hotte éteinte.

Cet indicateur est normalement désactivé, appuyez



longuement sur la touche pour activer la fonction: la touche est éclairée à lumière fixe.

Pour désactiver la fonction, appuyez longuement sur la



touche : la touche est éclairée à lumière clignotante.

### Fonctionnement automatique (capteur), connexion avec SNAP® et le plan de cuisson Elica

**Attention!** Le bon fonctionnement de la hotte dépendra du "**Réglage des paramètres pour le mode automatique**" (voir le paragraphe correspondant)

Remarque : le fonctionnement automatique avec le plan de cuisson est possible uniquement avec des plans de cuisson spécifiques, pour plus d'informations, contacter le revendeur officiel ou le centre d'assistance technique autorisé.

### Fonctionnement automatique (capteur)



Appuyez sur la touche (la LED centrale est éclairée en blanc).

La hotte se met en fonction à la vitesse la plus appropriée selon les fumées de cuisson détectées par le capteur de la

hotte.

### Fonctionnement automatique de la hotte avec SNAP®



Appuyez sur la touche (les LED sont éclairées en orange) pour indiquer que la hotte peut fonctionner automatiquement avec le SNAP®

**Remarque :** Le SNAP® est une unité d'aspiration auxiliaire qui peut fonctionner avec la hotte. Pour plus d'informations, consulter le manuel fourni avec le SNAP®

### Fonctionnement automatique de la hotte avec le plan de cuisson Elica

Le fonctionnement de la hotte dépendra aussi de l'utilisation du plan de cuisson Elica.



Appuyez sur la touche (les LED sont éclairées en blanc) pour indiquer que la hotte peut fonctionner automatiquement avec le plan de cuisson Elica, donc le comportement de la hotte dépendra aussi de l'utilisation du plan de cuisson Elica.

### Fonctionnement automatique de la hotte avec SNAP® et plaque de cuisson Elica



Appuyez sur la touche (les LED sont éclairées en orange) pour indiquer que la hotte peut fonctionner automatiquement avec le plan de cuisson et avec le SNAP®

### Réglage des paramètres pour le Fonctionnement automatique

**Remarque :** Toutes les opérations de calibrage, de sélection, de réglage et de connexion logique décrites ci-dessous sont possibles avec la hotte éteinte (OFF).

Le réglage des paramètres est fait de manière périodique automatiquement chaque fois que la hotte est reconnectée au réseau électrique (par ex.: lors de la première installation ou après une panne de courant) ou manuellement.


### Réglage manuel

À effectuer lorsque vous remarquez un fonctionnement insatisfaisant du Fonctionnement automatique et il doit être effectué lorsque dans la cuisine persistent des conditions environnementales normales.






Le réglage manuel inclut:

- *Calibrage de la hotte:*
- Sélection du plan de cuisson (gaz-induction ou électrique)
- Connexion logique entre la hotte et le plan de cuisson (si vous avez un plan de cuisson Elica).
- Connexion logique entre la hotte et SNAP® (si vous avez un SNAP®).


## Calibrage de la hotte


Appuyez longuement sur la touche , toutes les LED de la touche clignotent pour indiquer que le calibrage a commencé; le processus durera environ 5 minutes.


### Sélection du plan de cuisson (gaz – induction ou électrique)

Appuyez longuement simultanément les touches  et ; les touches ,  et  commencent à clignoter pendant 5 secondes.

Dans ce délai, appuyez sur:

la touche  en cas de plan de cuisson à gaz

la touche  en cas de plan de cuisson électrique

la touche  en cas de plan de cuisson à induction

La touche sélectionnée reste allumée pour indiquer la sélection réussie; après 10 secondes la touche clignote brièvement pour indiquer que la sélection effectuée a été enregistrée.

### Connexion logique entre la hotte et le plan de cuisson (si vous avez une plaque de cuisson Elica).


a. Connectez simultanément la hotte et le plan de cuisson Elica.


b. la hotte émet 2 signaux acoustiques (bips) de façon intermittente, pour indiquer qu'elle est en mesure de recevoir le signal de connexion du plan de cuisson Elica.

c. les tentatives de connexion avec le plan de cuisson Elica vont durer 5 minutes; dans ce délai, la hotte émet

3 signaux acoustiques (bips) consécutifs pour indiquer la connexion réussie avec le plan de cuisson Elica.

d. Vérifiez si la connexion est établie avec le plan de

cuisson Elica: Appuyez sur la touche . (les

LED  sont allumées en blanc).

**Si la connexion logique entre la hotte et le plan de cuisson Elica n'a pas réussi, procéder comme il suit:** Déconnecter et reconnecter la hotte à l'alimentation électrique au moins 5 fois dans un délai de 30 secondes.

Répéter les étapes **a-b-c-d** décrites ci-dessus

**Connexion logique entre la hotte et SNAP®** (si vous avez un SNAP®).

La connexion entre la hotte et SNAP® est automatique, il ne faut pas effectuer des réglages.

## Instructions pour l'entretien, utilisateur et la maintenance

### Nettoyage

Pour le nettoyage, utiliser **EXCLUSIVEMENT** un chiffon humidifié avec des détergents liquides neutres. **NE PAS UTILISER D'OUTILS OU D'INSTRUMENTS POUR LE NETTOYAGE !** Éviter l'usage de produits abrasifs, **NE PAS UTILISER D'ALCOOL!**

### Écran vapeurs

L'écran vapeurs doit toujours rester fermé et doit être ouvert uniquement en cas d'entretien (par ex: nettoyage ou remplacement des filtres).

Fig. 12-15

### Filtre anti-gras

Fig. 27-30

**Il retient les particules de graisse issues de la cuisson.**

Le filtre doit être nettoyé une fois par mois (ou lorsque le système d'indication de saturation des filtres – si prévu sur le modèle possédé – indique cette nécessité) avec des détergents non agressifs, à la main ou dans le lave-vaisselle à faibles températures et cycle rapide.

Le lavage du filtre anti-graisse métallique au lave-vaisselle peut en provoquer la décoloration. Toutefois, les caractéristiques de filtrage ne seront en aucun cas modifiées.

### Filtre à charbon actif (uniquement pour version recyclage)

Fig. 29

**Retient les odeurs désagréables de cuisson.**

Le filtre à charbon peut être nettoyé tous les deux mois (ou lorsque le système d'indication de saturation des filtres – si prévu sur le modèle possédé – indique cette nécessité) avec de l'eau chaude et au moyen de détergents appropriés ou dans le lave-vaisselle à 65°C (dans le cas de lavage dans le lave-vaisselle suivre un cycle de lavage complet sans vaisselle à l'intérieur).

Enlever l'eau qui excède en faisant attention de ne pas abîmer le filtre, ensuite le mettre dans le four pendant 10 minutes à 100°C pour le sécher définitivement. Remplacer le coussinet tous les 3 ans et chaque fois que le filtre sera abîmé.

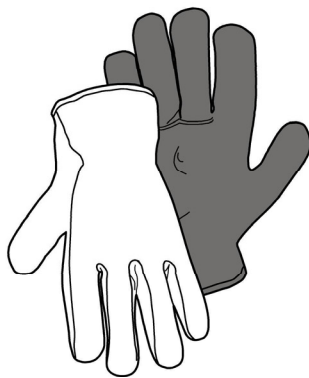
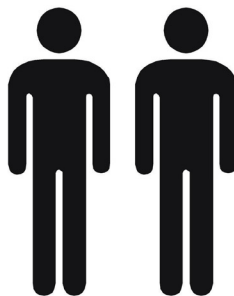
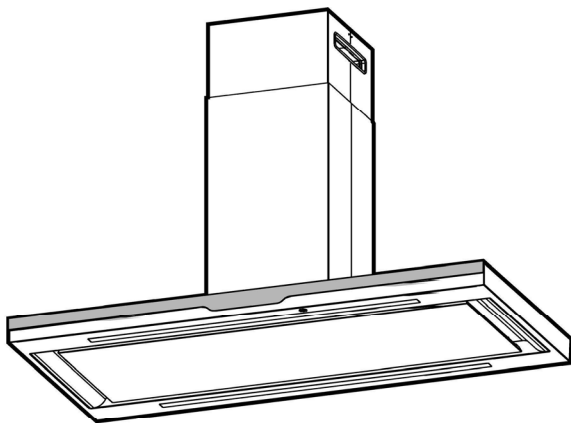
### Remplacement des lampes

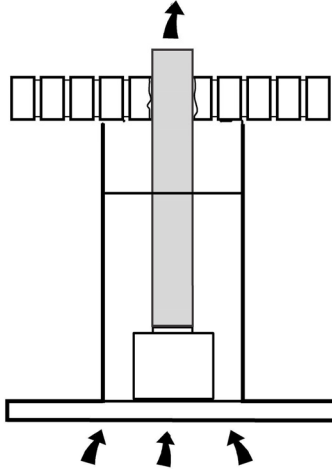
La hotte est dotée d'un système d'éclairage basé sur la technologie LED.

Les LEDS garantissent un éclairage optimal, une durée jusqu'à 10 fois supérieures aux ampoules traditionnelles et permettent une épargne de 90% en énergie électrique.

Pour le remplacement, s'adresser au service d'assistance technique.

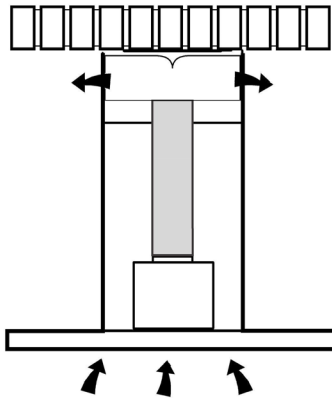




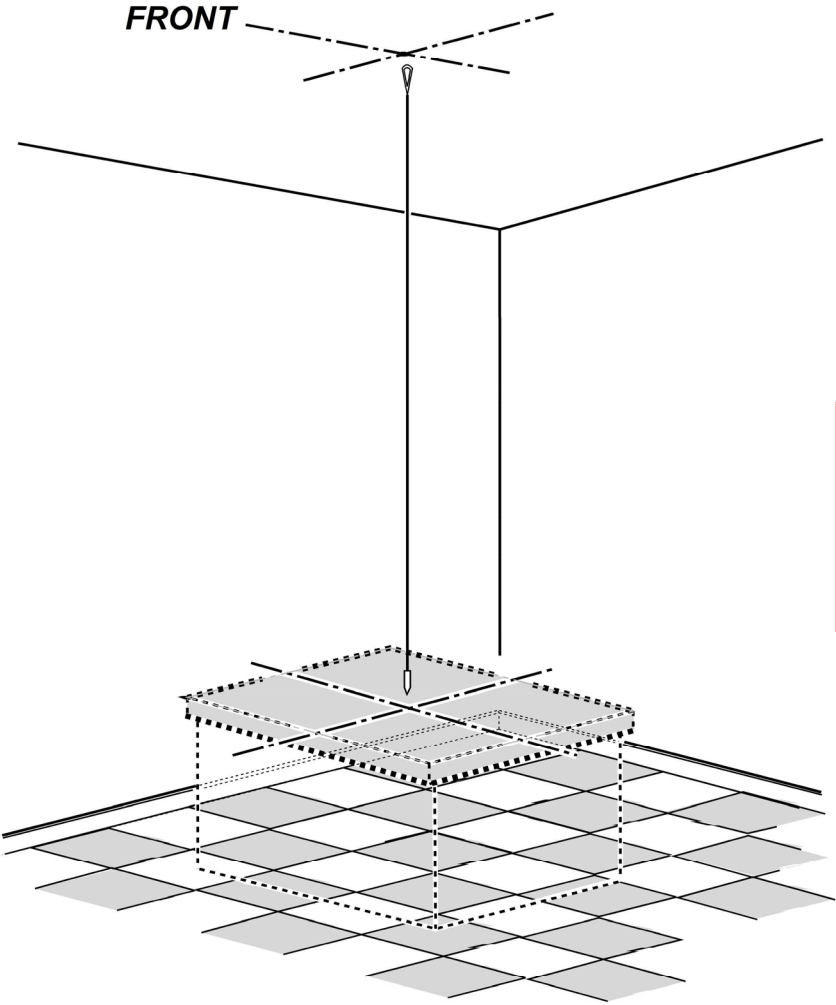


1

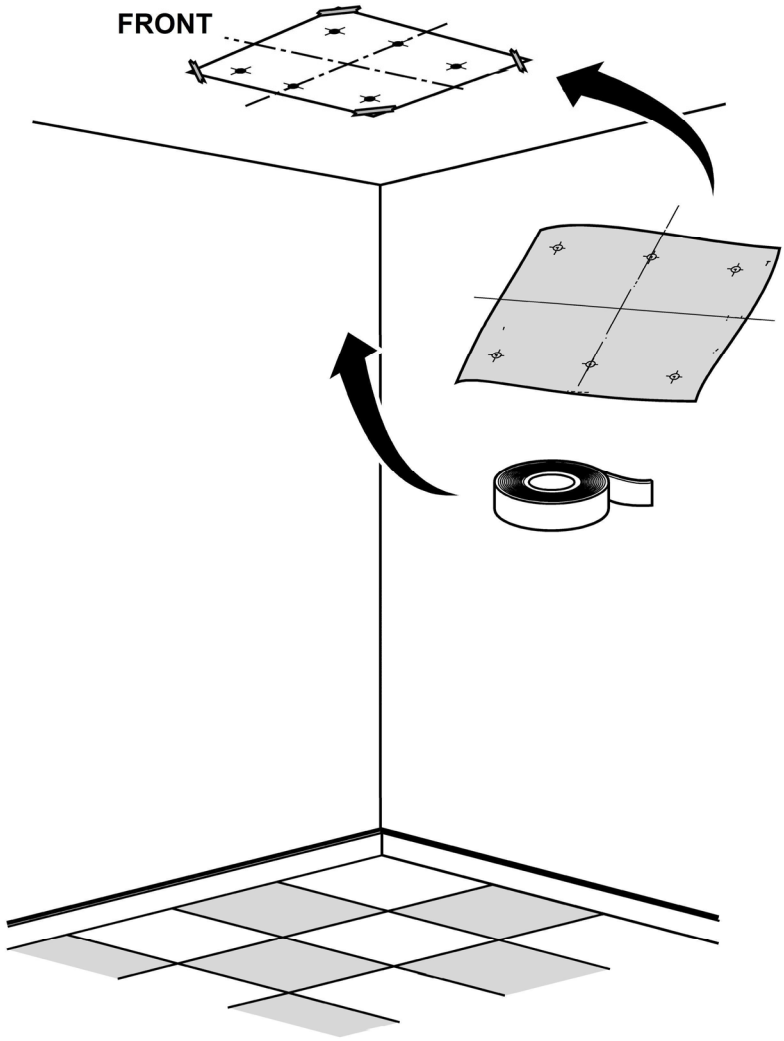
---



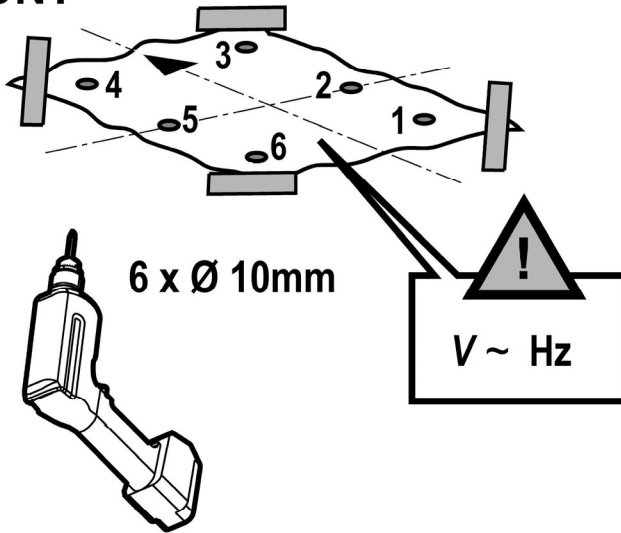
2



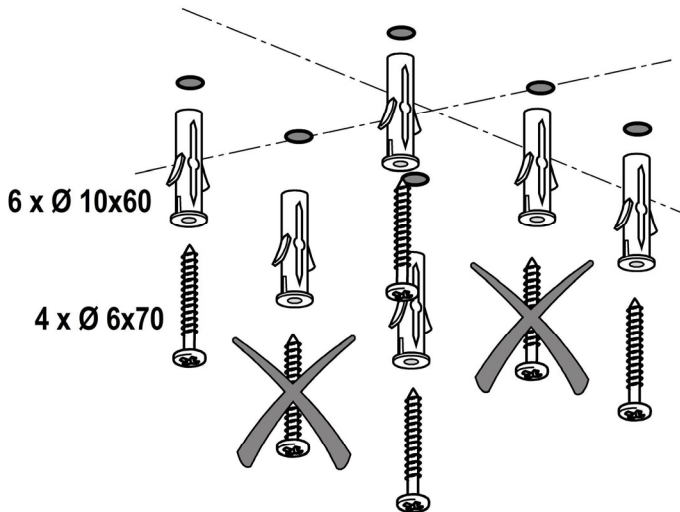
3

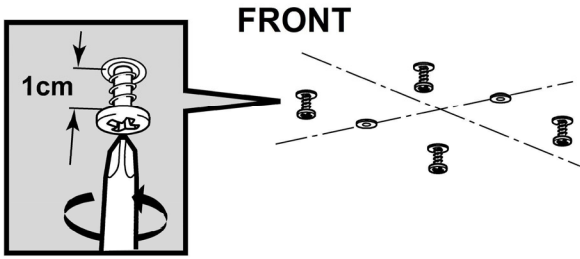


# FRONT



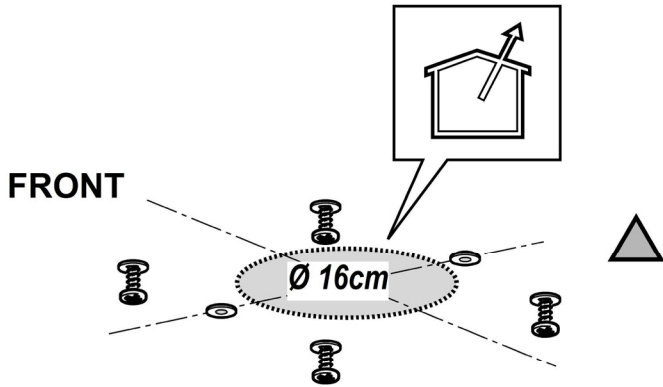
# FRONT





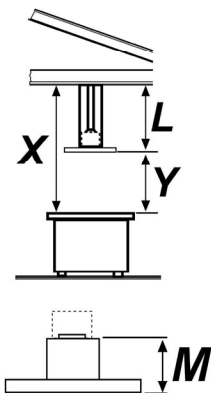
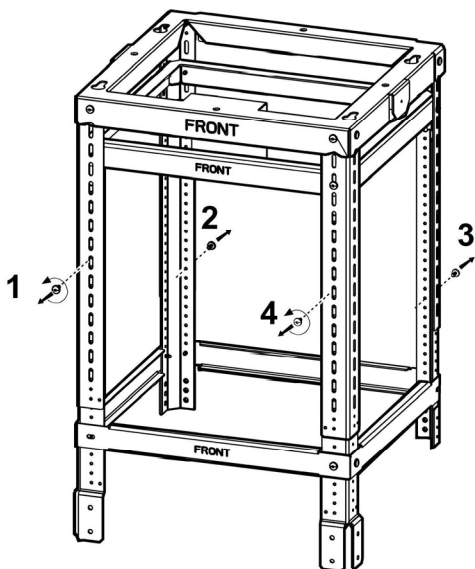
7

---

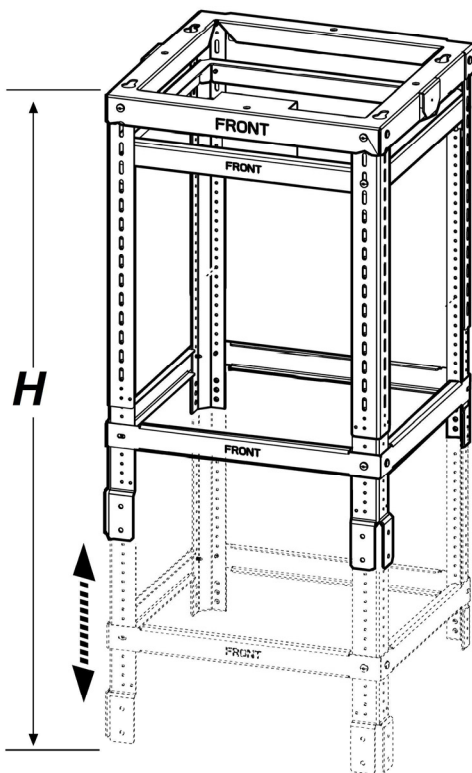


8

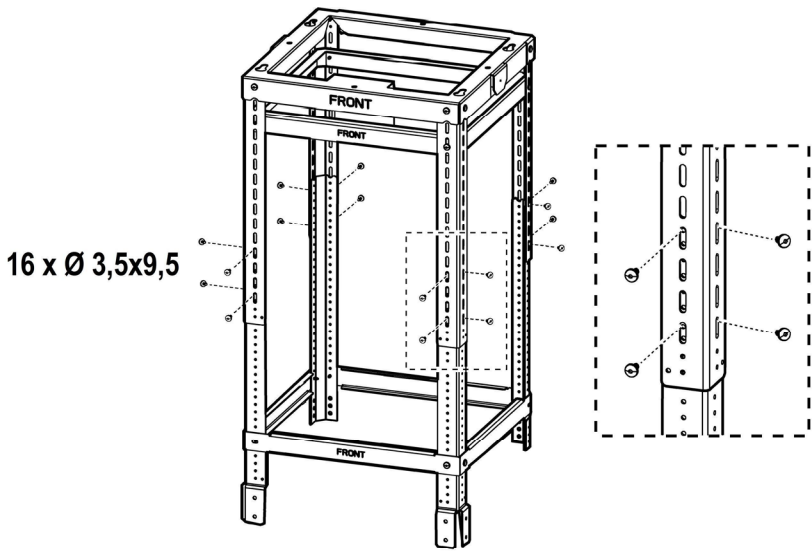
9



$$H_{(cm)} = (X - Y - M) + 5$$

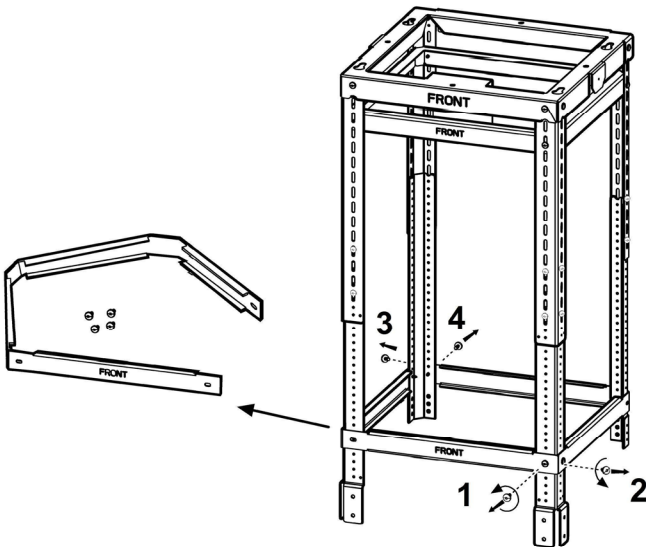


10



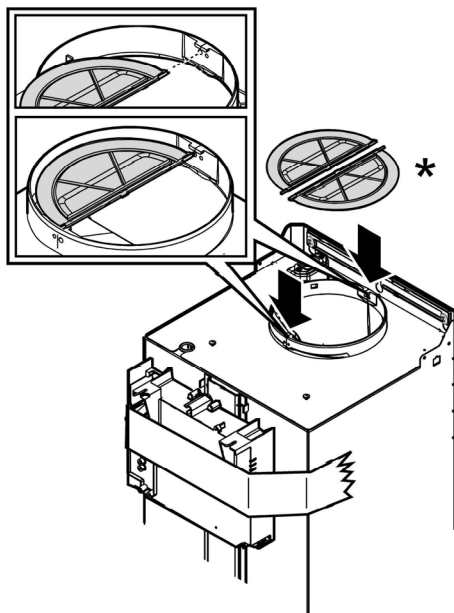
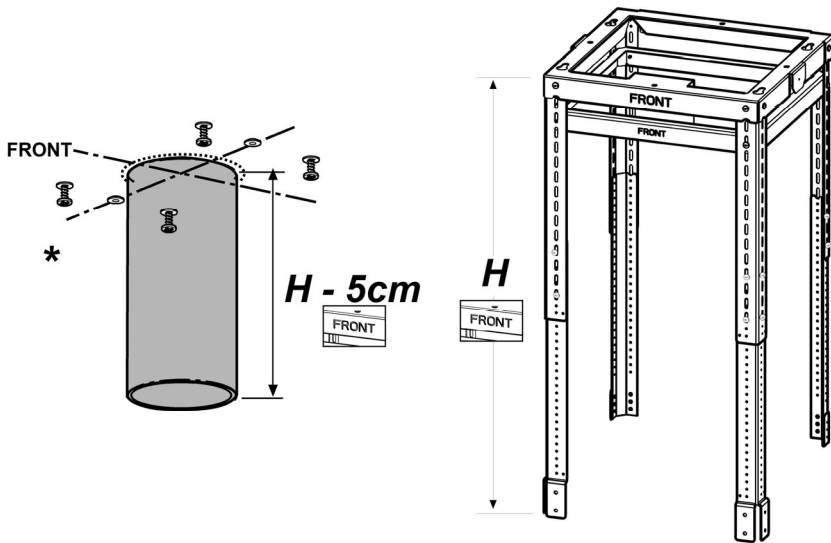
11

---

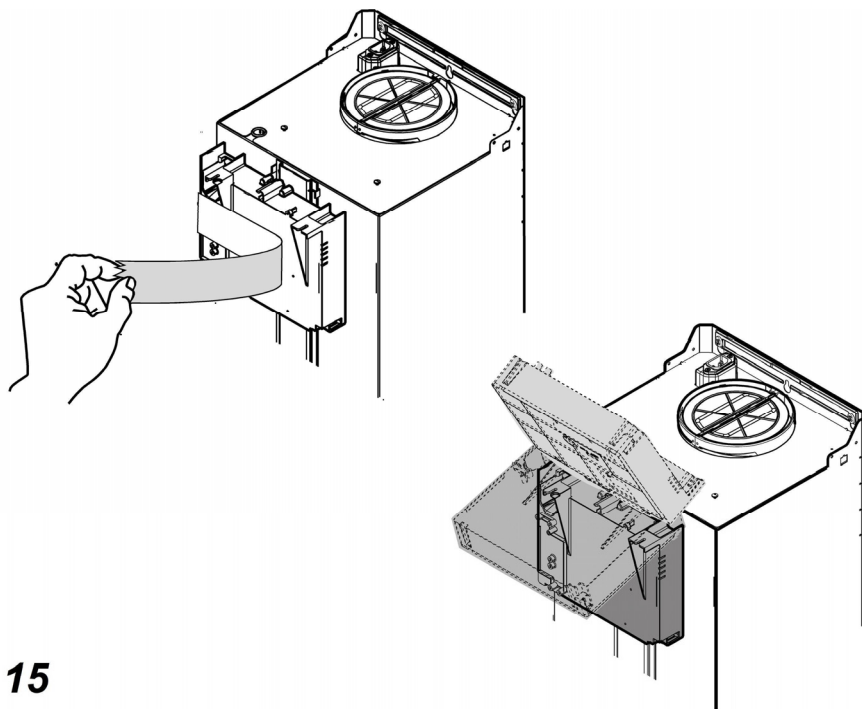


12

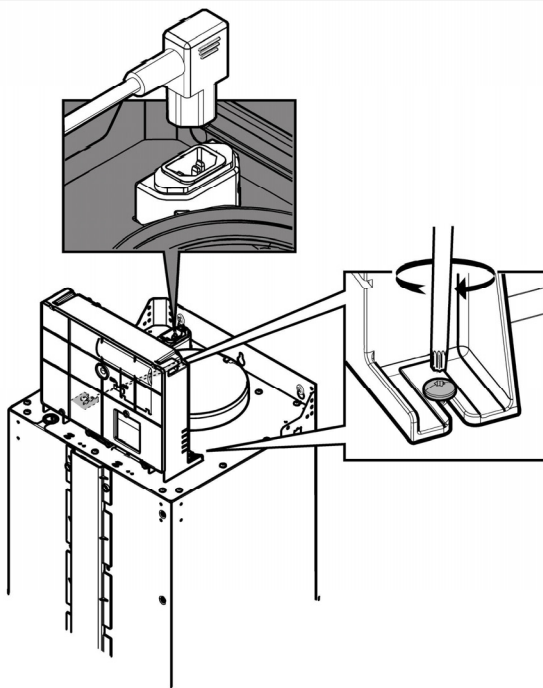




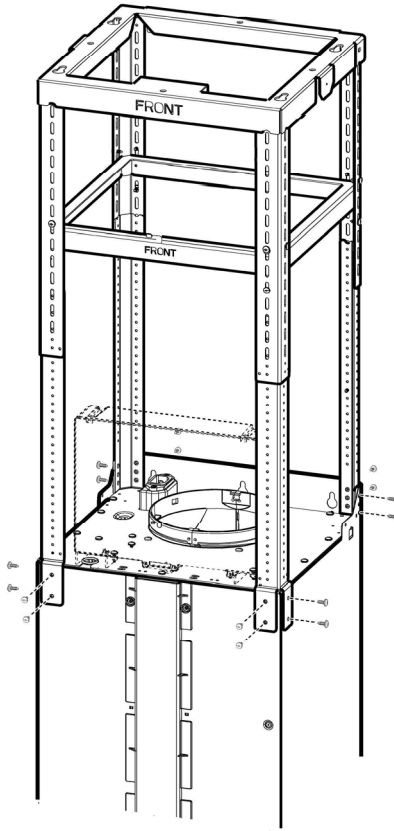
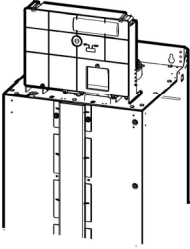
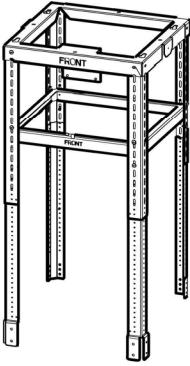
14



15

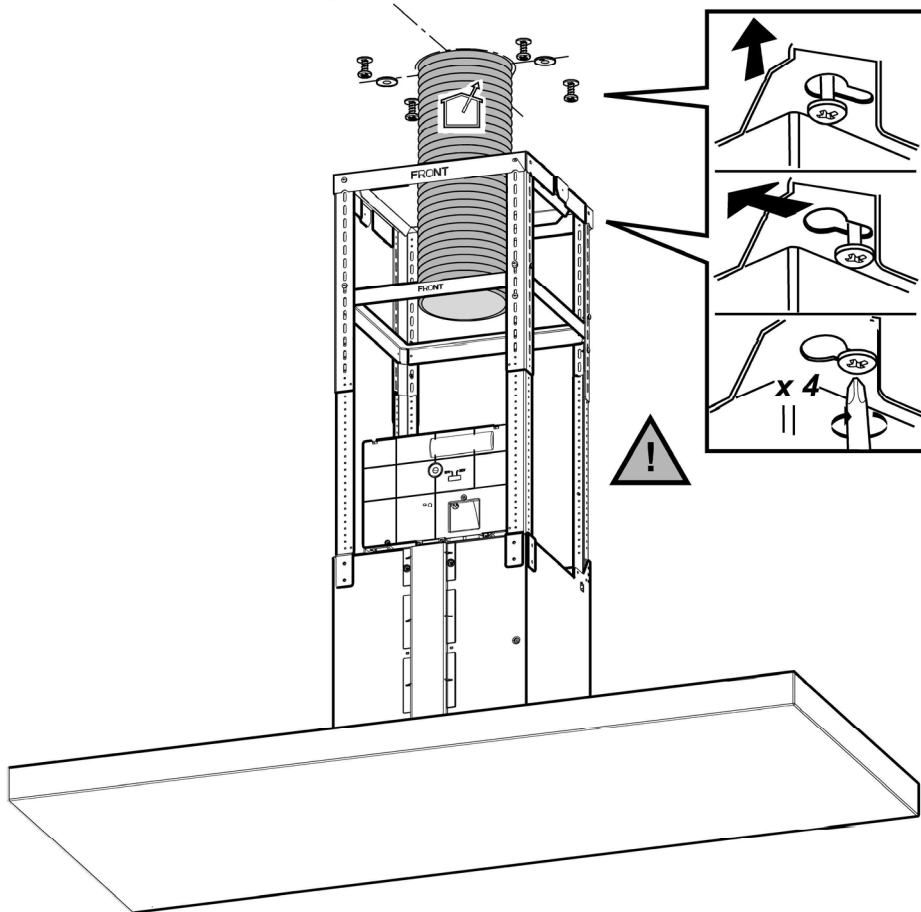


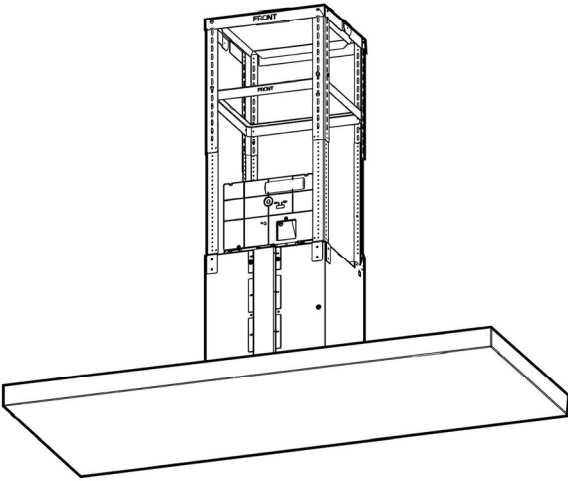
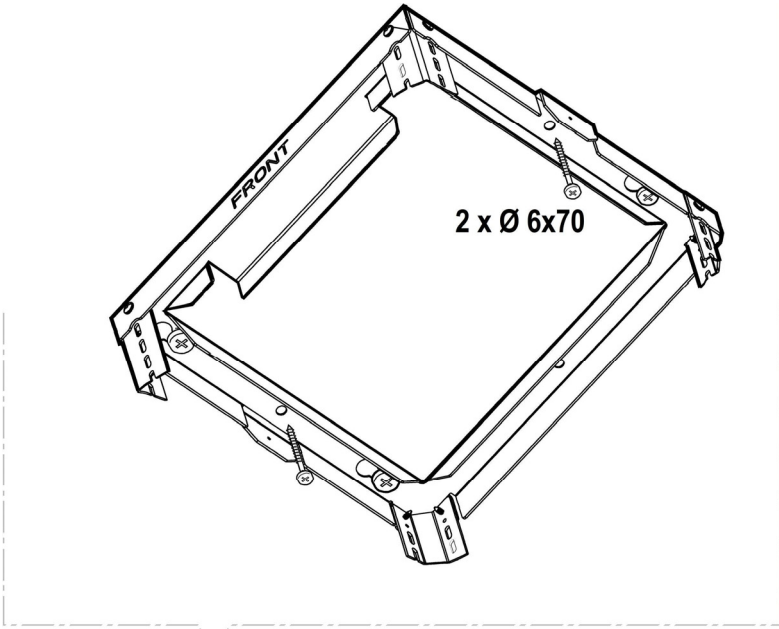
16

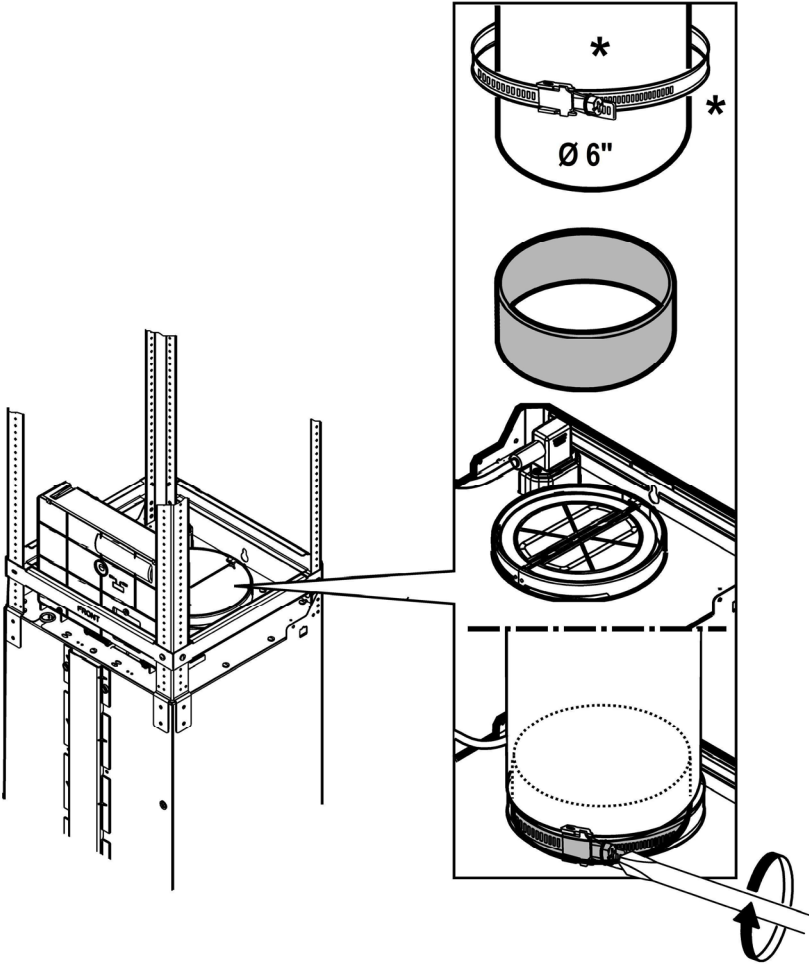


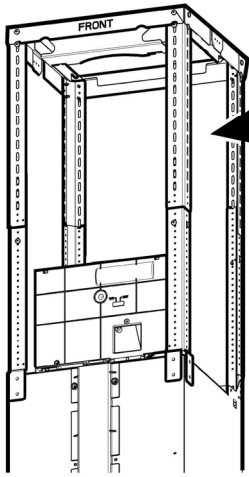
16 x Ø 3,5x9,5

FRONT

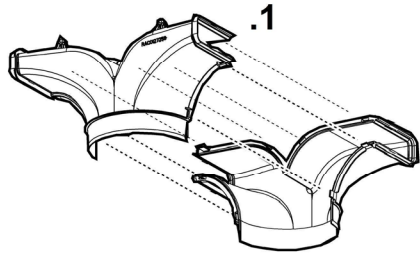




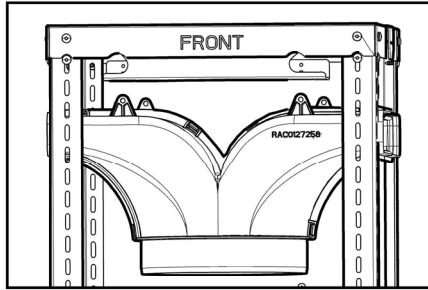
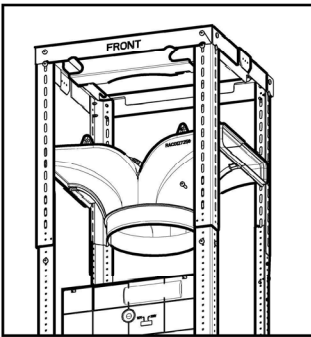




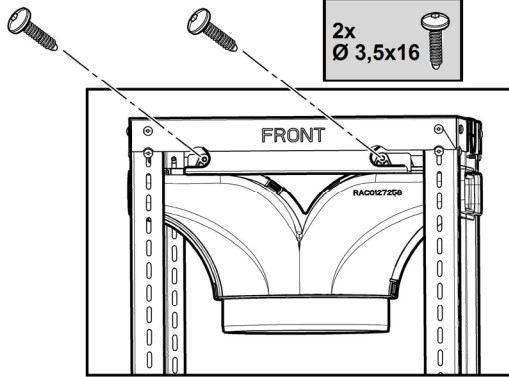
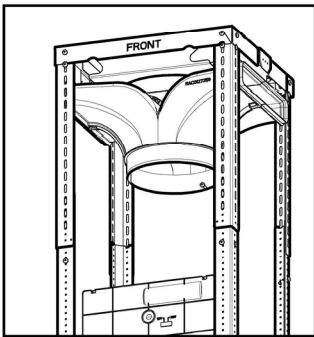
**Clack! Clack!**



**.3**

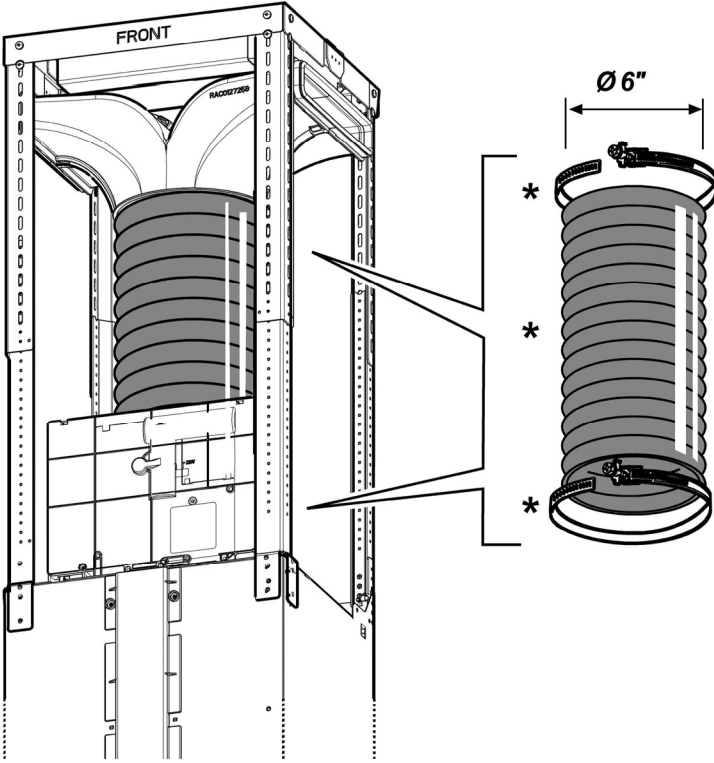


**.4**

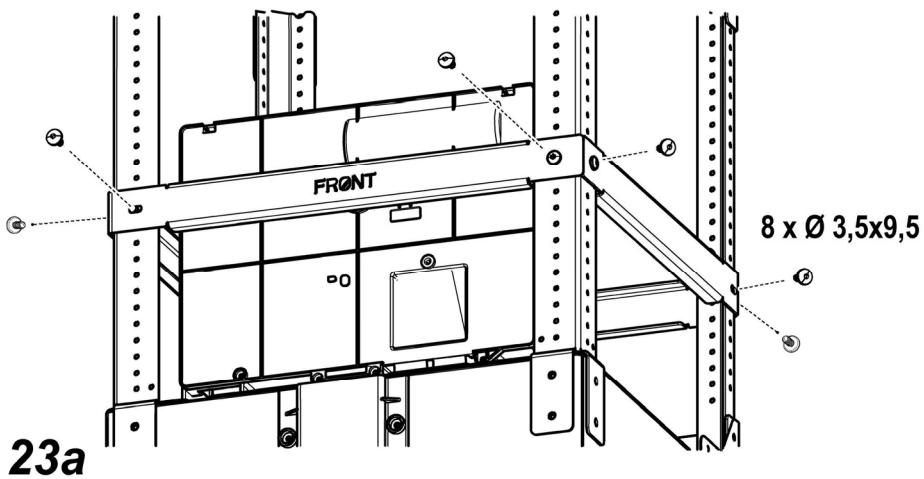
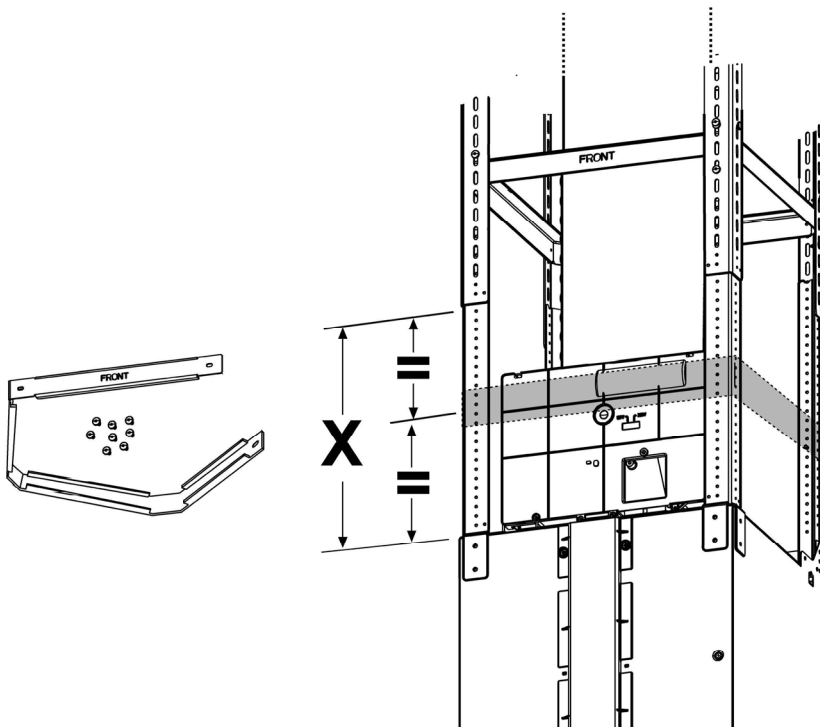


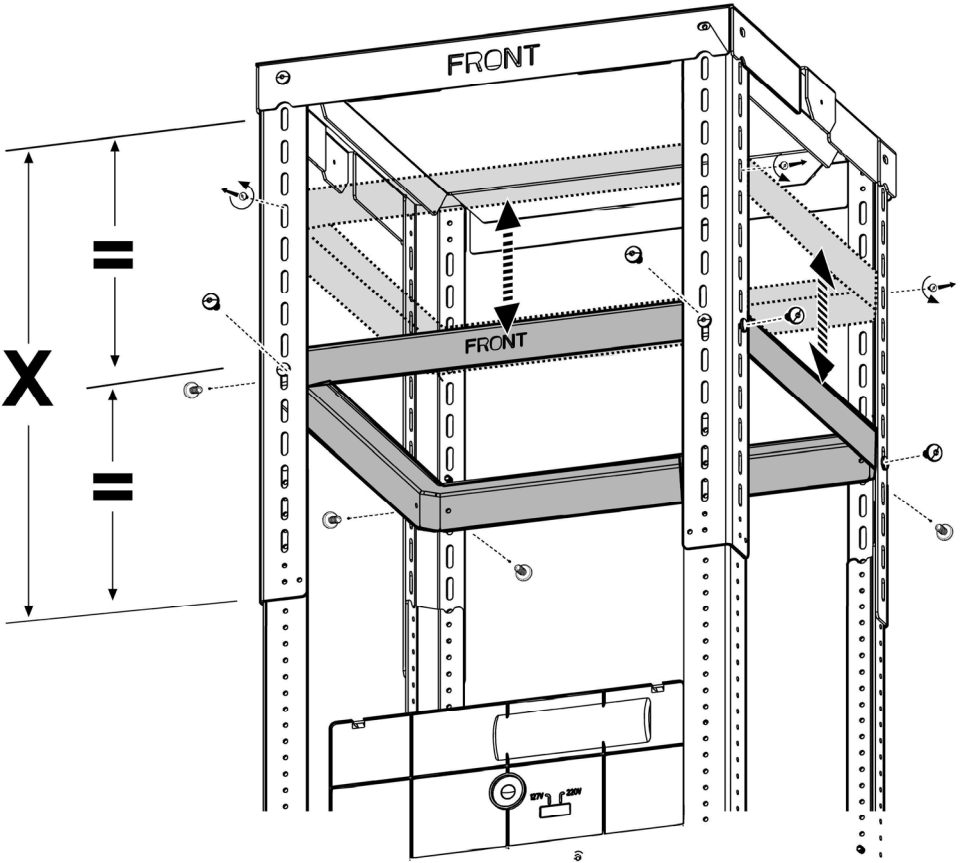
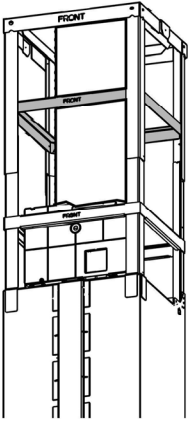
**21**



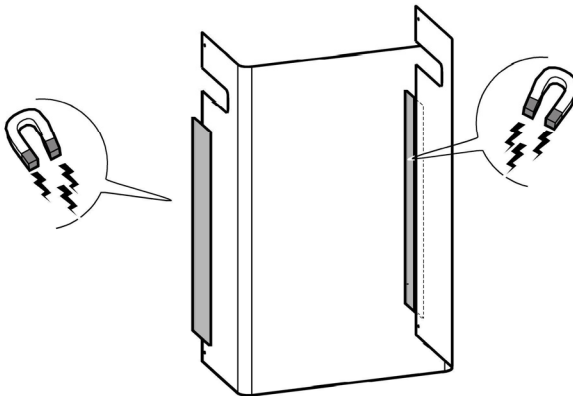
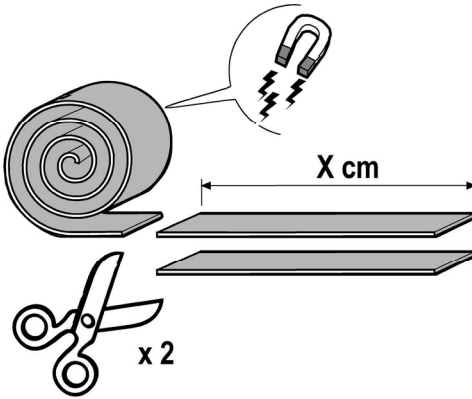
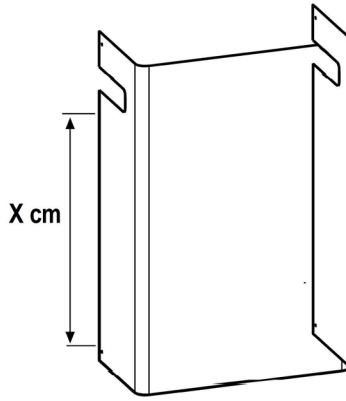
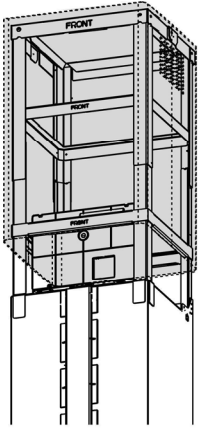


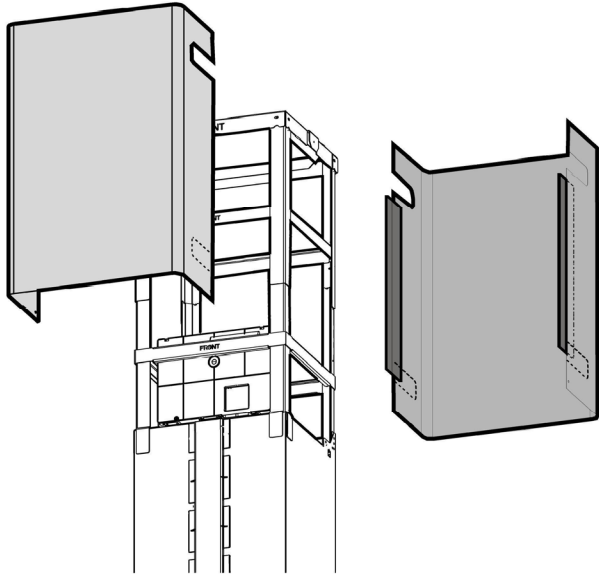




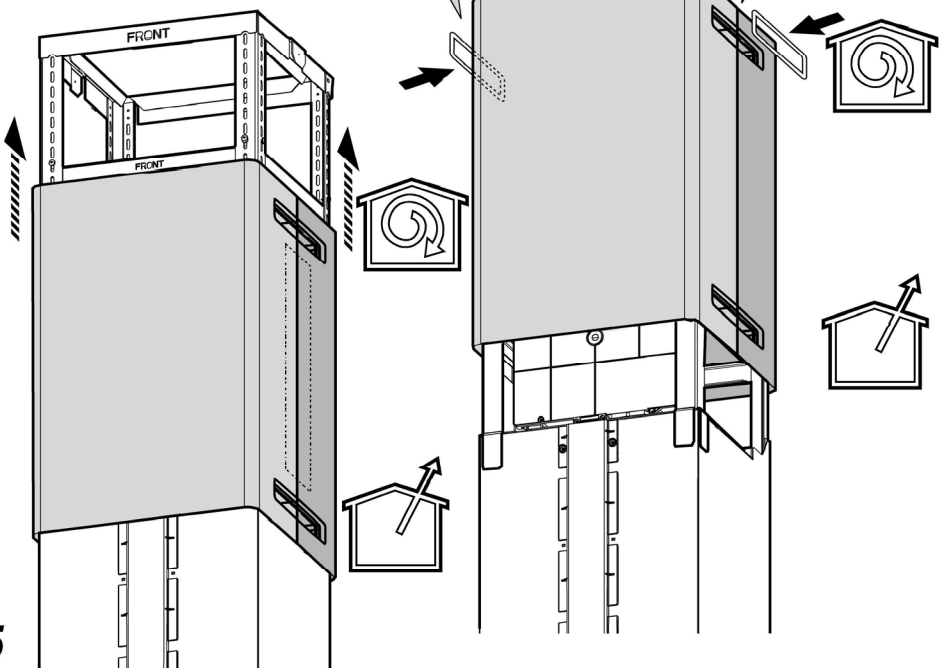


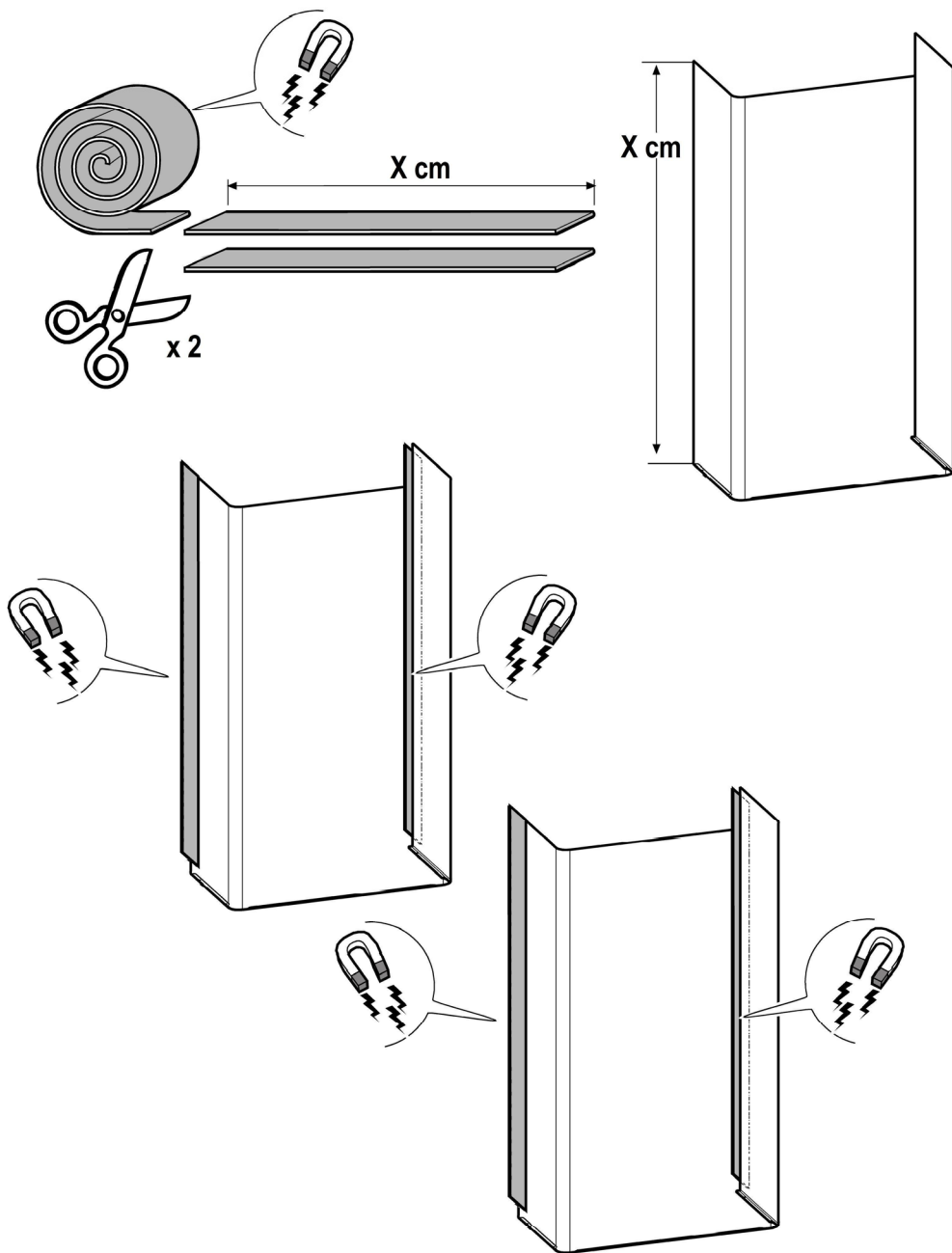
23b

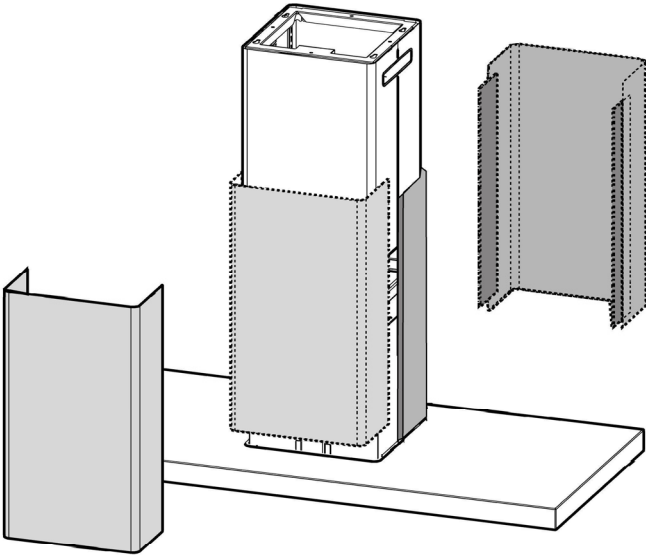




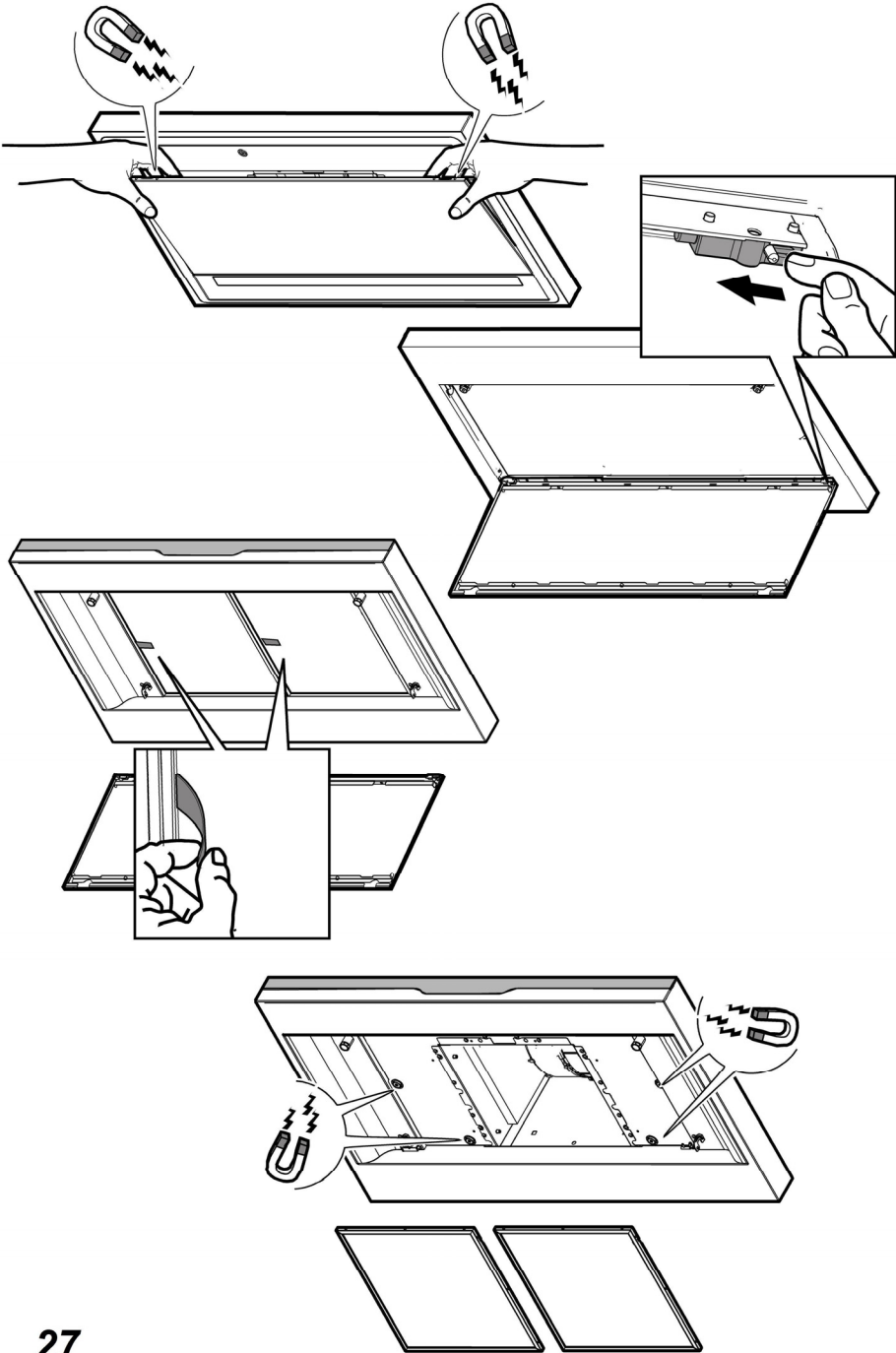
4 x Ø 2,9x6,5

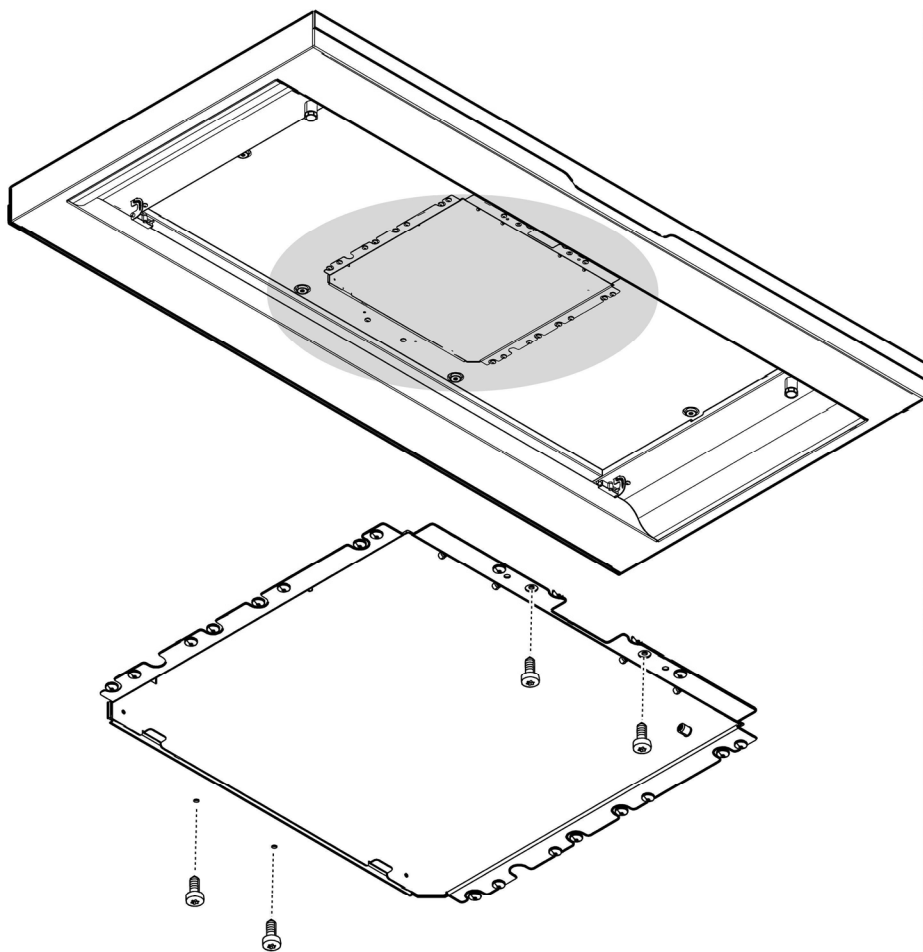






26





4 x Ø 2,9x6,5



