



METEORITE ISLAND

TECHNE PLUS SERIES



Sensor Technology



Perimeter Aspiration

Black glass and polished stainless steel in its island version, like all of the hoods in the Elica Stream line, also Meteorite is meant for anyone who loves high-technological solutions, where Elica hoods and cooktops, automatically communicate with one another, recognizing quality and quantity of cooking vapors, thus accordingly adjusting performance levels. With Perimeter Aspiration technology helps achieve Top Performance by delivering more powerful and efficient fume extraction plus it reduces noise. Meteorite includes a powerful 550 CFM blower, Strip LED lighting and tunable white with glass capacitive touch controls.

Dimensions | Models

48" W x 24" D x 28" H | EMI648SS
METEORITE ISLAND



WIRELESS
CONNECTIVITY



SENSOR
TECHNOLOGY



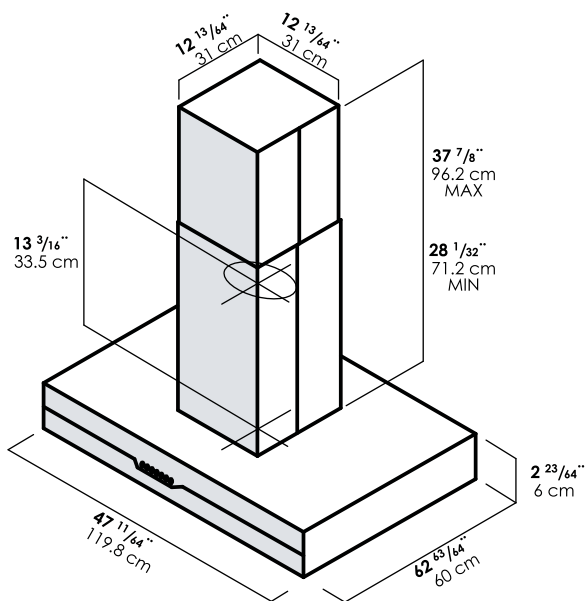
TUNE-WHITE

FEATURES

Size (in) & Type	48" Wide, Island
Finish	Stainless Steel with Black Glass
Controls	Touch Control 3S+ Booster (sensor)
Illumination	Strip LED 7 Watts 2700-6000K
Installation Type	Ducted
Blower Type	550 CFM
Filter Type	Aluminum Mesh Filter + Perimeter Aspiration
Noise (Sones):	Min: 1.7 Max: 7
Duct Transition	Top Round 6"
Electrical	120V - 60 Hz

PLUS

Line Drawing



WIRELESS CONNECTIVITY

The wireless connection ensures constant communication between the induction cooktop and the cooker hood. Usage information of the cooktop (activated zones, cooking power and presence of pots) are transmitted in real time to the hood that processes them. The hood then selects automatically the optimum operating level to ensure a better quality of the air inside the kitchen. In this way it is possible to focus entirely on the food preparation. The hood turns off automatically when it is no longer necessary extracting cooking fumes, thus avoiding a waste of energy.



SENSOR TECHNOLOGY

Some Elica range hoods come equipped with a sensor that measures temperature and the amount of moisture, grease and vapors generated by the cooktop. The hood analyzes the readings and automatically adjusts the blower to achieve top ventilating performance and perfect air quality.



TUNE WHITE

A unique feature that enables the user to adjust the shade of white light generated by the range hood. Elica's LED light strip has the GK Changing feature, which adjusts the temperature of the LED's and ultimately the shade of white light generated. From yellow light (2700K) up to white light (6000K) the user has total control and adjustability to create a uniform level of lighting throughout the kitchen.



TOP PERFORMANCE

Excellent performance for models equipped with this plus. High fume capturing capacity with an average aspiration range of 600 CFM's. With a noise level between 60-65 db(A) at maximum speed (reference point varies based on the hood category).



AMBIENT LIGHT

Elica studies on hood lighting leaves no stone unturned. Here we have thought about products not only able to light the cooktop, but the entire kitchen space. And so the hood is transformed: from a kitchen appliance to a true lighting element. Considering the design of Elica hoods, it is not hard to imagine how this option is unique, and represents one extraordinary point of strength for us.



LONG LIFE FILTER

In this case, the plus is a very efficient, one-of-a-kind odour filter, capable of regenerating itself and of lasting up to 3 years, while standard filters have an average life between 3 to 6 months. To maintain these characteristics, the filter only requires simple maintenance: wash every 2 or 3 months with hot water and mild soap (also in the dishwasher at 65 degrees) and dry in the oven for 10 minutes at 100 degrees. Et voilà.



LED LIGHT

LED lighting is undoubtedly the smartest solution in terms of energy saving. Expected life time of over 20,000 hours, represents the most remarkable advantage of LED light bulbs.



PERIMETER ASPIRATION

First developed by Elica, this technology literally turned the market 45 degrees and opened the door to hoods that could be mounted on the wall like picture frames. The technology draws air through a narrowed channel around a face plate, which increases suction, without increasing blower speed or energy consumption.