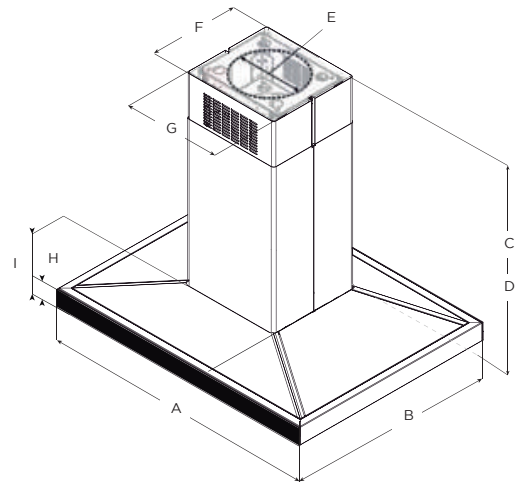


ELICA'S EXCLUSIVE
PLUS FEATURES

Salice conveys understated elegance with a gently tapered canopy that measures only 5" tall, which opens up the kitchen for entertainment and conversation. Available in 36" and 42" widths, Salice features a powerful 600 CFM blower, LED Dimable lighting, perimeter aspiration and high-tech glass touch controls that deliver convenience and safety.

Designed for ducted installation, Salice can also be installed as a recirculating system using the Recirculating Kit, available as an accessory.



	Models	
	ESL636S3	ESL642S3
A	36" (91.4 cm)	42" (106.7 cm)
B	27 ⁴ / ₅ " (69.6 cm)	
C*	Min: 32 ⁴ / ₅ " (82.3 cm) Max: 52 ⁴ / ₅ " (133.1 cm)	
D**	Min: 32 ⁴ / ₅ " (82.3 cm) Max: 46 ⁵ / ₂ " (118.1 cm)	
E	6" (15.24 cm)	
F	12 ¹ / ₁₀ " (30.8 cm)	
G	13 ² / ₅ " (33.5 cm)	
H	4 ⁶¹ / ₆₄ " (12.6 cm)	
I	2 ⁵ / ₈ " (6 cm)	

* Ductless (Recirculating) version
** Ducted version

SPECIFICATIONS



	36" UNIT	42" UNIT
Model:	ESL636S3	ESL642S3
Dimensions:	36"W x 27"D x 5"H	42"W x 27"D x 5"H
Blower Type(internal):	600 CFM (4-speed)	
Blower Performance:		
Speed 1	180 CFM	
Speed 2	300 CFM	
Speed 3	470 CFM	
Speed 4	600 CFM	
Noise (sones): Working Speed	Min: 1.46, Max: 6 Sones	
Finish:	Stainless Steel + Black Glass	
Controls:	Touch Control 3S+ Booster	
Illumination:	4 Premium LED Dimmable Lights	
Filter Type:	Aluminum Mesh Filter + Perimeter Aspiration	
Duct Transition:	Round 6"/150cms	
Electrical:	120 Volts, 60 Hertz, 460 Watts, 3.7 Amps	
KITS:		
Optional Recirculating Kit	KIT0141924	
Optional Long Chimney Extension	KIT0100317	

PLUS FEATURES



TOP PERFORMANCE - Excellent performance for models equipped with this plus. High fume capturing capacity with an average aspiration range of 600 CFM's. with low noise levels, 1.2 - 1.7 sones at working speed.



DIM-LIGHT - The Dimmer allows you to adjust the brightness of the light as you wish. With Elica, lighting is customized in a discreet, personal and practical way, in order to contribute in creating the perfect kitchen atmosphere.



PERIMETER ASPIRATION - First developed by Elica, this technology literally turned the market 180 degrees and opened the door to hoods that could be mounted on the wall like picture frames. The technology draws air through a narrowed channel around a face plate, which increases suction, without increasing blower speed or energy consumption.



AMBIENT LIGHT - Elica studies on hood lighting leaves no stone unturned. Here we have thought about products not only able to light the cooktop, but the entire kitchen space. And so the hood is transformed: from a kitchen appliance to a true lighting element. Considering the design of Elica hoods, it is not hard to imagine how this option is quite unique, and represents one extraordinary point of strength for us.



LED LIGHT - LED lighting is undoubtedly the smartest solution in terms of energy saving. Expected life time of over 20.000 hours, represents the most remarkable advantage of LED light bulbs.



HUSH SYSTEM - An exclusive sound deadening technology that effectively reduces sound levels up to 35%, compared to typical range hoods.



CFM REDUCTION - CFM Reduction System (CRS), is an exclusive feature to Elica hoods, which enables the user to reduce directly in the glass touch control the maximum blower CFM, to meet local code requirements.