

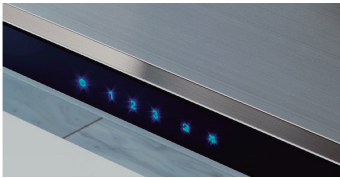


SALICE ISLAND

TECHNE SERIES



LED Light with Dimmer & Perimeter Aspiration



Glass Touch Control

Salice conveys understated elegance with a gently tapered canopy that measures only 5" tall, which opens up the kitchen for entertainment and conversation. Available in 36" and 42" widths, Salice features a powerful 600 CFM blower, LED Dimmable lighting, perimeter aspiration and high-tech glass touch controls that deliver convenience and safety.

Designed for ducted installation, Salice can also be installed as a recirculating system using the Recirculating Kit, available as an accessory.

Dimensions | Models

36"W x 27"D x 5"H | ESL636S3
SALICE 36"

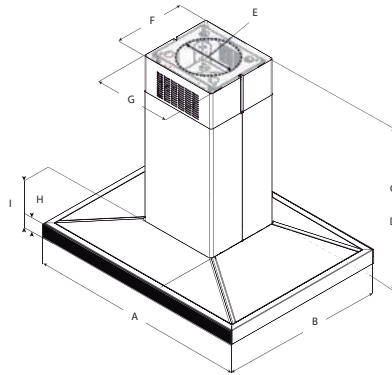
42"W x 27"D x 5"H | ESL642S3
SALICE 42"



FEATURES

Size (in) & Type	36" or 42" wide Island Chimney
Finish	Stainless Steel + Black Glass
Controls	Touch Control 3S + Booster
Illumination	4 Premium LED Dimmable Lights
Installation Type	Ducted
Blower Type	Speed 1, 180 CFMs Speed 2, 300 CFMs Speed 3, 470 CFMs Speed 4, 600 CFMs
Filter Type	Aluminum Mesh Filter + Perimeter Aspiration
Noise (sones):	Min: 1.46, Max: 6 Sones
Duct Transition	Round 6"/150cms
Electrical	120 Volts, 60 Hertz, 460 Watts, 3.7 Amps

Line Drawing



	Models	
	ESL636S3	ESL642S3
A	36" (91.4 cm)	42" (106.7 cm)
B	27 1/8" (69.6 cm)	
C*	Min: 32 1/8" (82.3 cm) Max: 52 1/8" (133.1 cm)	
D**	Min: 32 1/8" (82.3 cm) Max: 46 1/8" (118.1 cm)	
E	6" (15.24 cm)	
F	12 1/8" (30.8 cm)	
G	13 3/8" (33.5 cm)	
H	4 9/16" (12.6 cm)	
I	2 1/8" (6 cm)	

* Ductless (Recirculating) version
** Ducted version

PLUS



TOP PERFORMANCE

Excellent performance for models equipped with this plus. High fume capturing capacity with an average aspiration range of 600 CFM's. With a noise level between 60-65 db(A) at maximum speed (reference point varies based on the hood category).



PERIMETER ASPIRATION

First developed by Elica, this technology literally turned the market 45 degrees and opened the door to hoods that could be mounted on the wall like picture frames. The technology draws air through a narrowed channel around a faceplate, which increases suction, without increasing blower speed or energy consumption.



AMBIENT LIGHT

Elica studies on hood lighting leaves no stone unturned. Here we have thought about products not only able to light the cooktop, but the entire kitchen space. And so the hood is transformed: from a kitchen appliance to a true lighting element. Considering the design of Elica hoods, it is not hard to imagine how this option is unique, and represents one extraordinary point of strength for us.



LED LIGHT

LED lighting is undoubtedly the smartest solution in terms of energy saving. Expected life time of over 20,000 hours, represents the most remarkable advantage of LED light bulbs.



DIM-LIGHT

The Dimmer allows you to adjust the brightness of the light as you wish. With Elica, lighting is customized in a discreet, personal and practical way, in order to contribute in creating the perfect kitchen atmosphere.



HUSH SYSTEM

An exclusive sound deadening technology that effectively reduces sound levels by over 35%, compared to typical range hoods.



CFM REDUCTION

CFM Reduction System (CRS), is an exclusive feature to Elica hoods, which enables the installer to reduce the maximum blower CFM, to meet local code requirements.

Accessories

Optional Recirculating Kit

CODE: KIT0141924 / (36", 42")

Optional Long Chimney Extension

CODE: KIT0100317 / (36", 42")